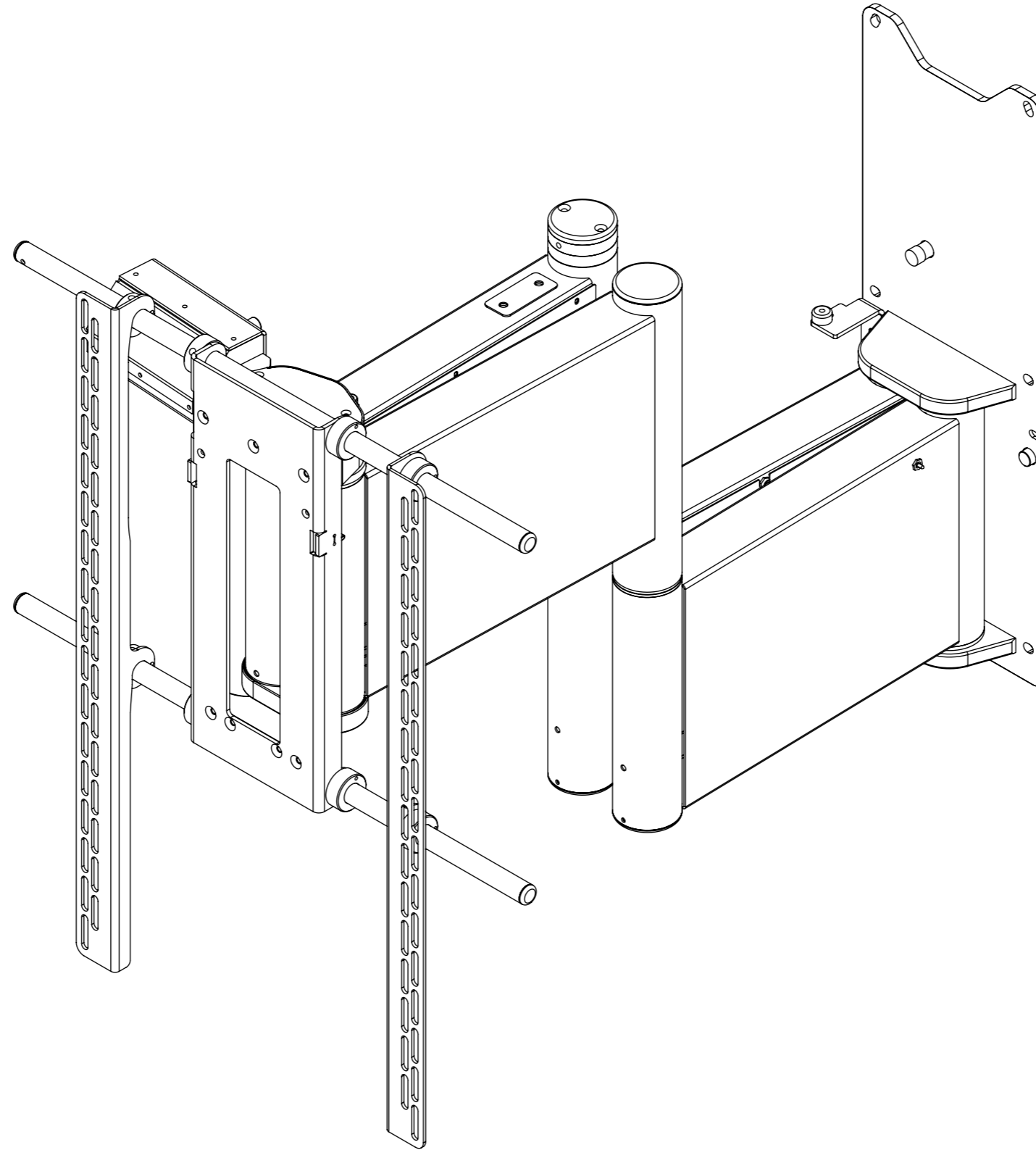


QA2-60-MO

MARINE OUTDOOR QUAD ARM 60



future automation



QA2-60-MO

MARINE OUTDOOR QUAD ARM 60

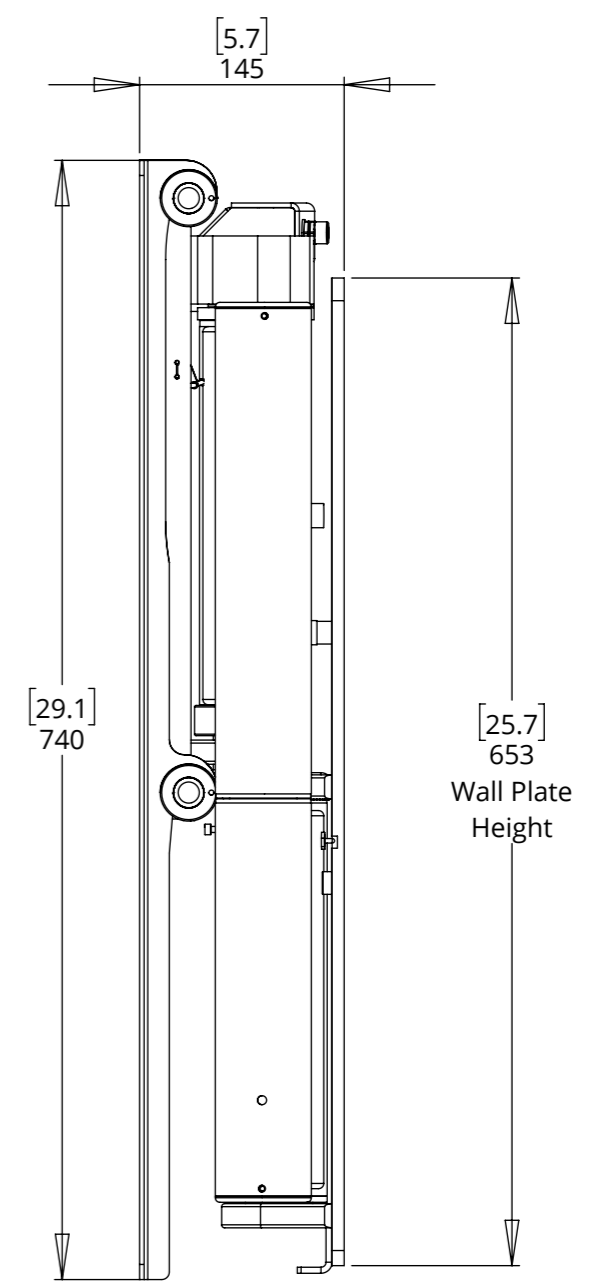
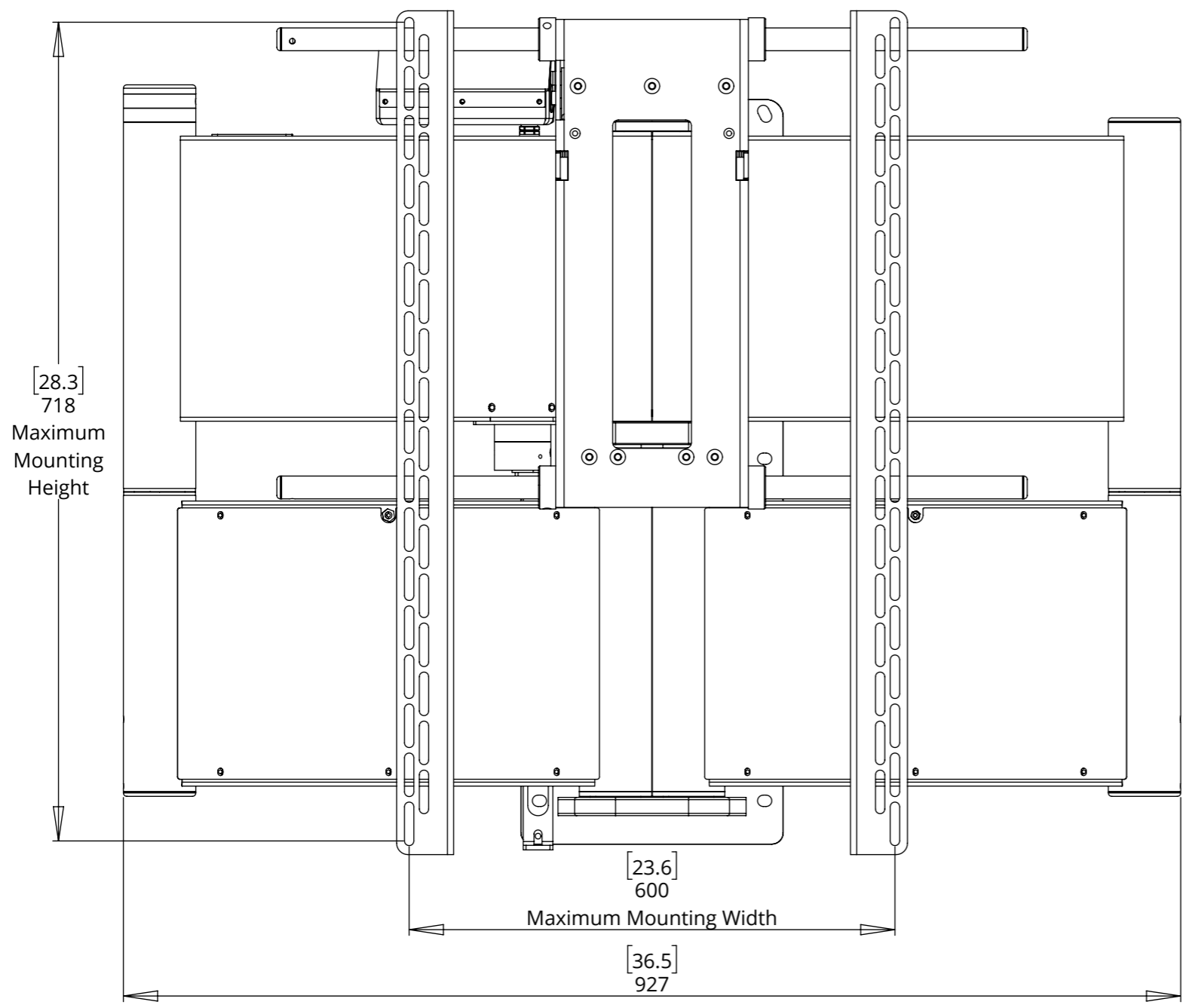
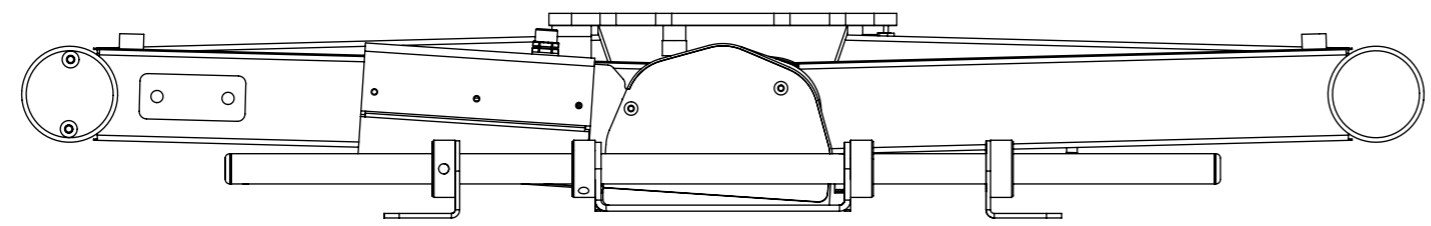


| SPECIFICATION | MEASUREMENTS |
|-----------------------------|---|
| Product Dimensions (HxWxD) | 740mm (29.1") x 927mm (36.5") x 145mm (5.7") |
| Maximum Weight Capacity | 80Kg (176lb) |
| Maximum Speed | 25mm/s |
| Maximum Extension From Wall | 914mm (36.0") to Mounting Surface |
| Depth From Wall | 145mm (5.7") |
| Product Weight | 51.5Kg (114lb) |
| Packaging Dimensions | TBC |
| Shipping Weight | TBC |
| Maximum Rotation | 75° - Both directions (Screen Width Dependant) |
| Movement Type | Motorised |
| Power Supply Required | 110V - 240V AC |
| Power Consumption Max. | 120W |
| Power Consumption Standby | 3W |
| | |
| Mounting Patterns Supported | VESA 600, 500, 400, 300, 200 W x 700, 600, 500, 400, 300, 200 H |
| Control Options | IR Remote, RS232, Contact Closure |
| Product Options / Features | Specific B&O and Loewe mounts / adapters, Custom RAL paint finishes |
| Package Contents | Mechanism, IR remote control |
| Marine Suitable | Yes |

QA2-60-MO

MARINE OUTDOOR QUAD ARM 60

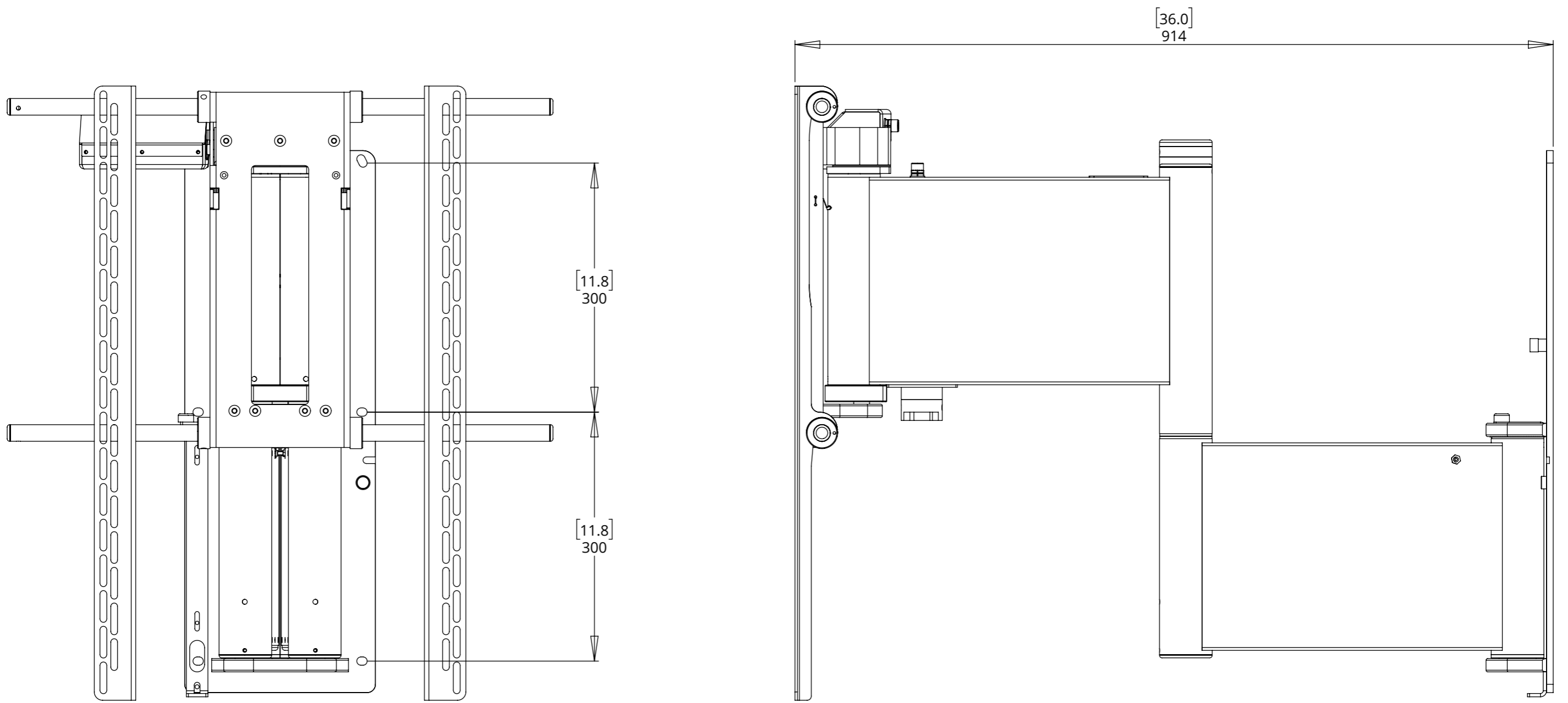
MECHANISM DIMENSIONS - IN POSITION



QA2-60-MO

MARINE OUTDOOR QUAD ARM 60

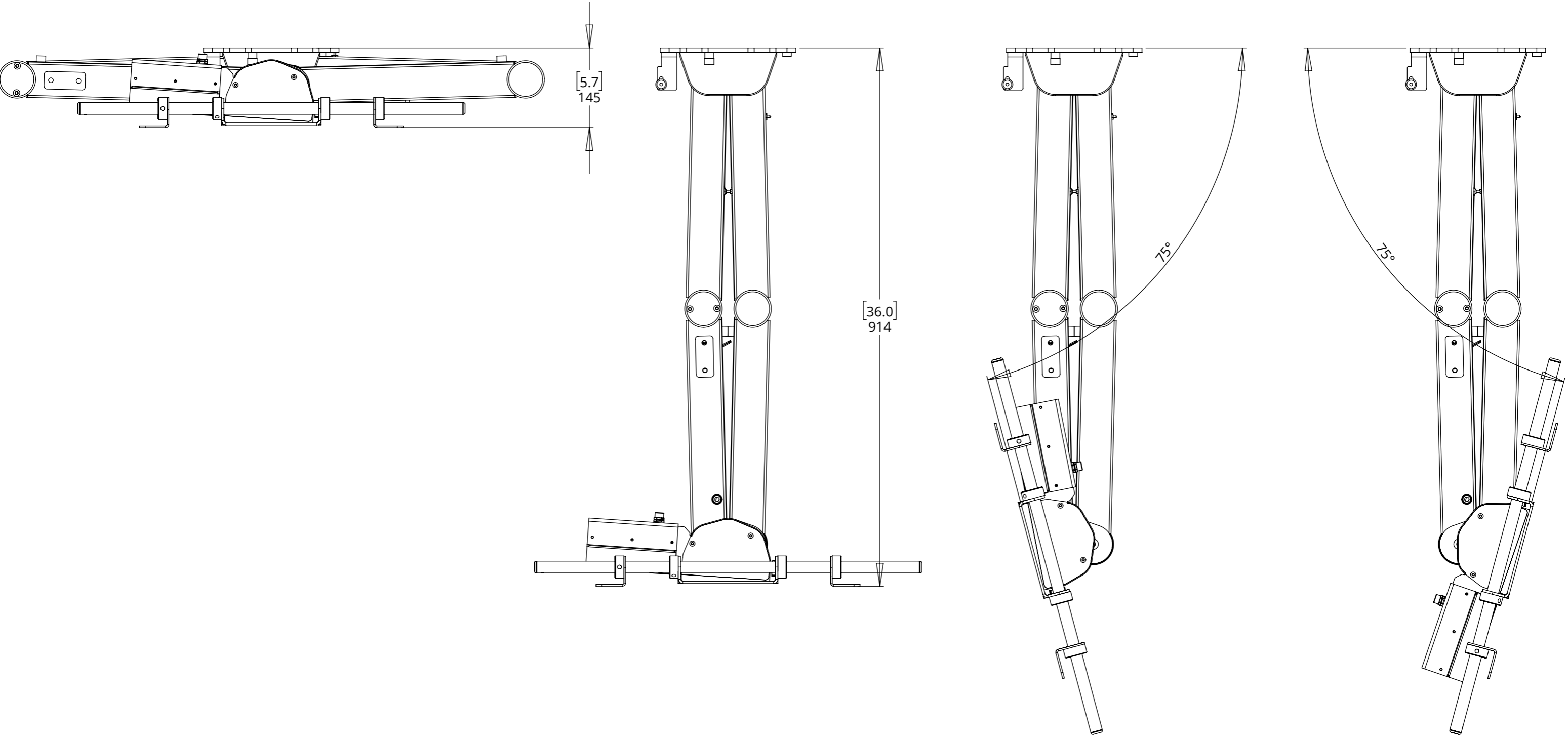
MECHANISM DIMENSIONS - OUT POSITION



QA2-60-MO

MARINE OUTDOOR QUAD ARM 60

POSITIONS

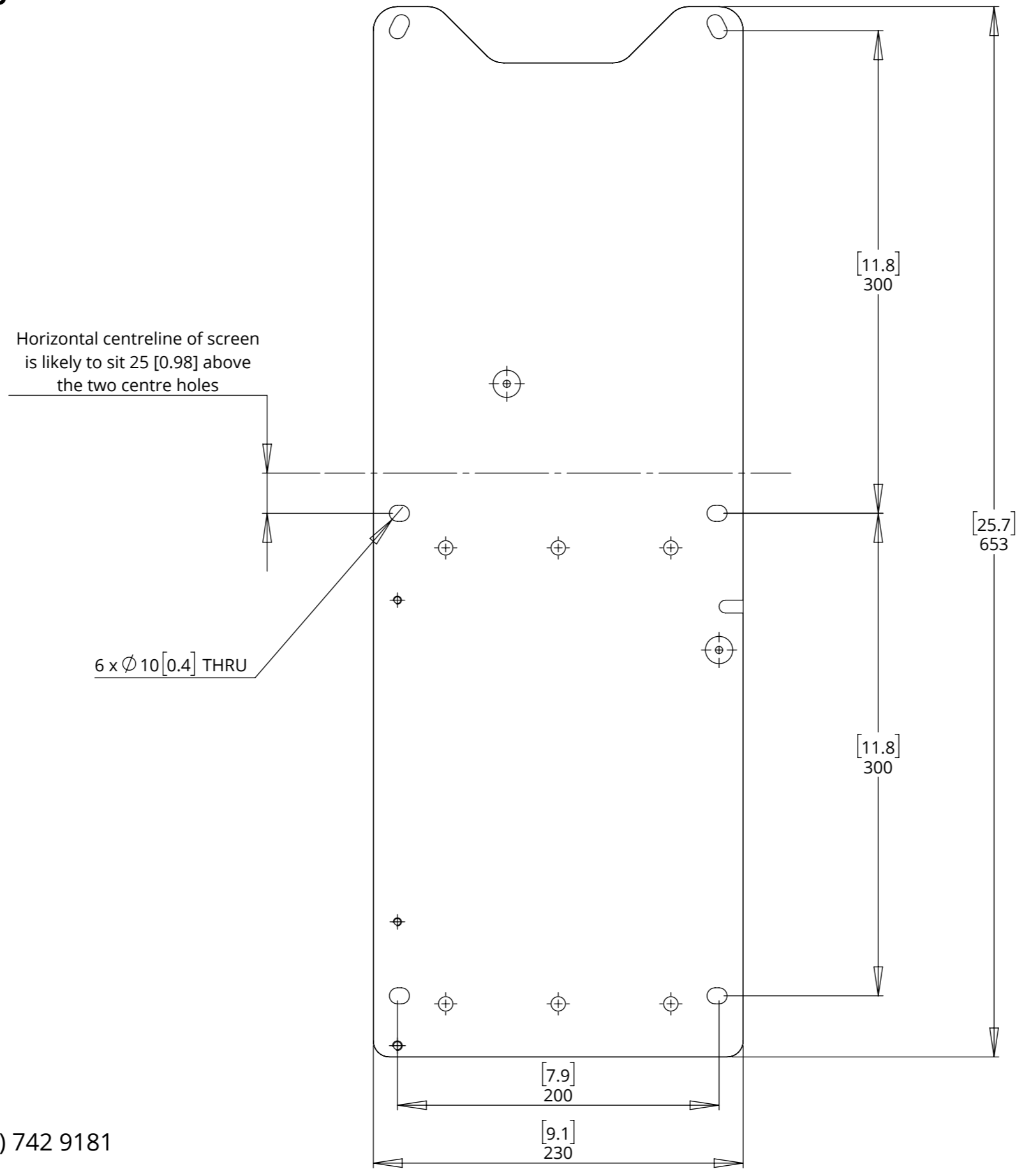


QA2-60-MO

MARINE OUTDOOR QUAD ARM 60



WALL PLATE DIMENSIONS



QA2-60-MO

MARINE OUTDOOR QUAD ARM 60

CONTROL BOX

- Mechanism comes with a IP56 rated control box.
- Cable loom length supplied at approx. 3m [118"']. Loom can be extended up to maximum of approx. 10m [400"'].

