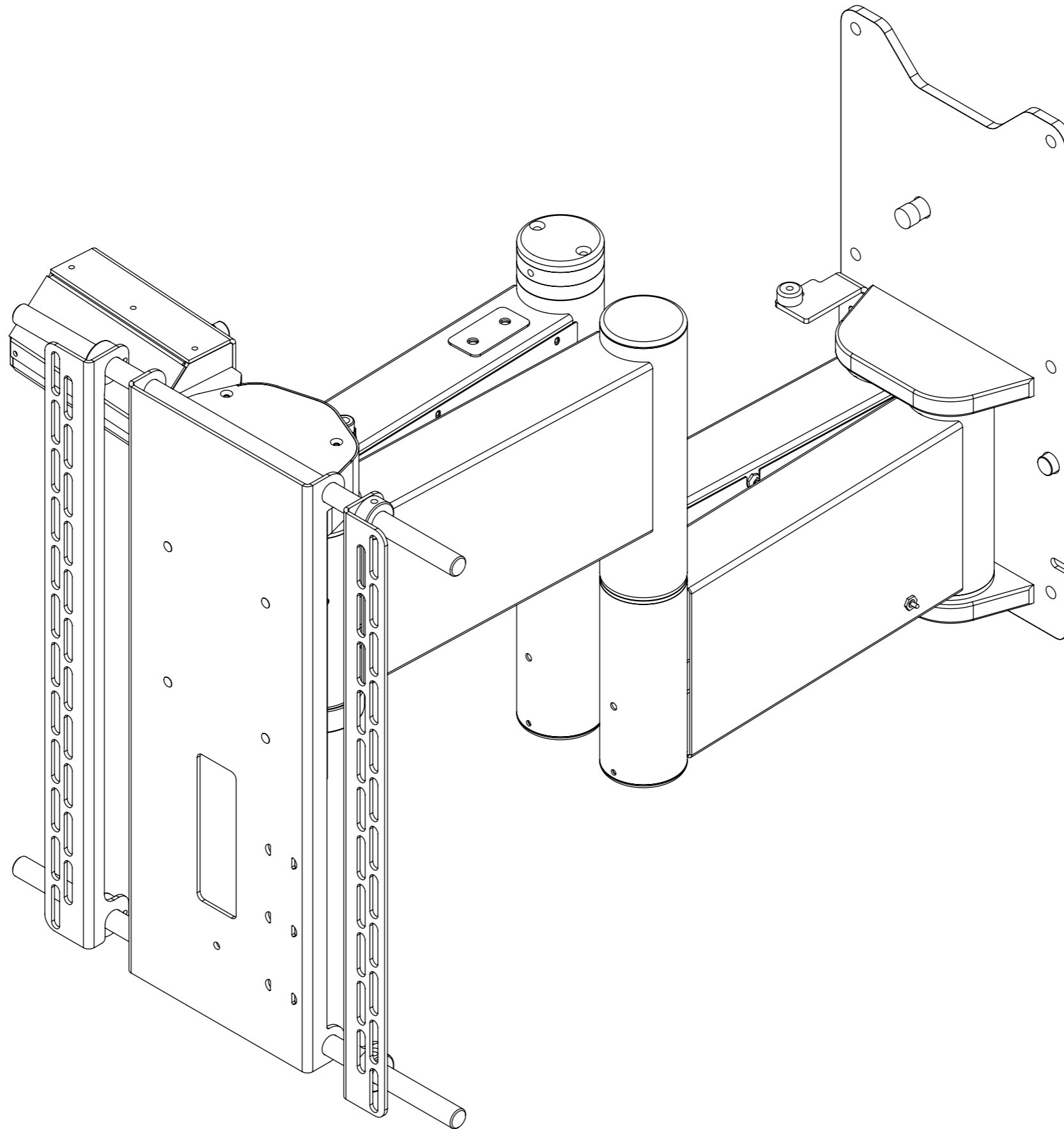


# QA2-MO

## MARINE OUTDOOR QUAD ARM



future automation



# QA2-MO

## MARINE OUTDOOR QUAD ARM

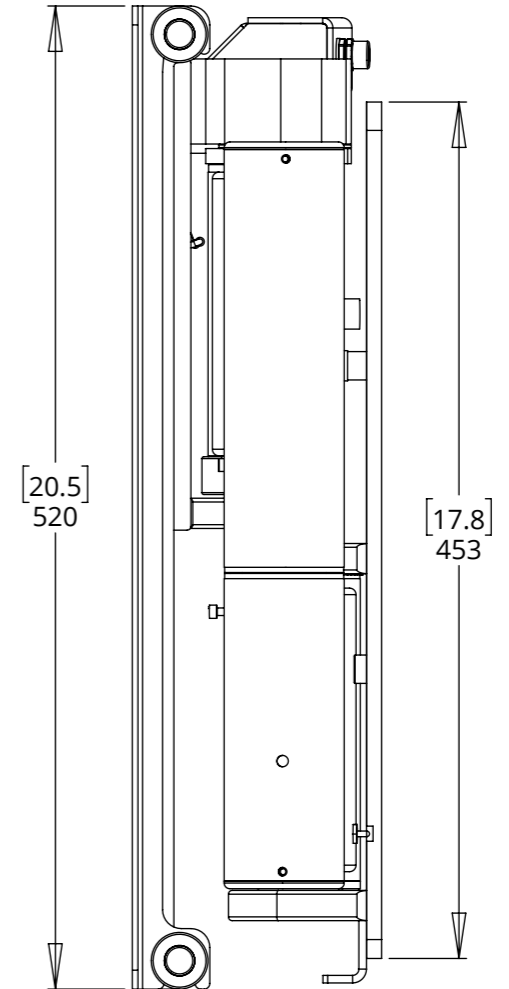
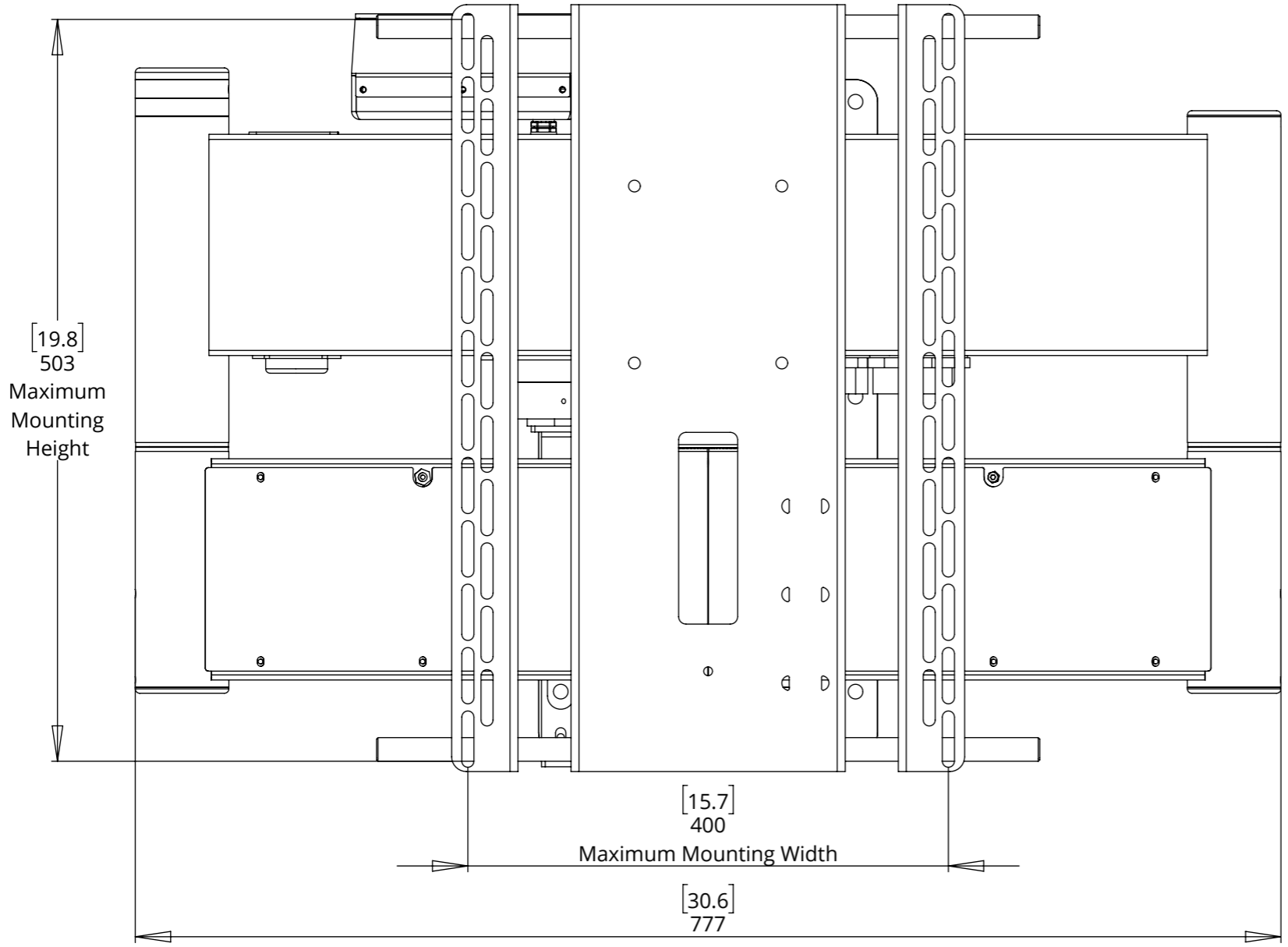
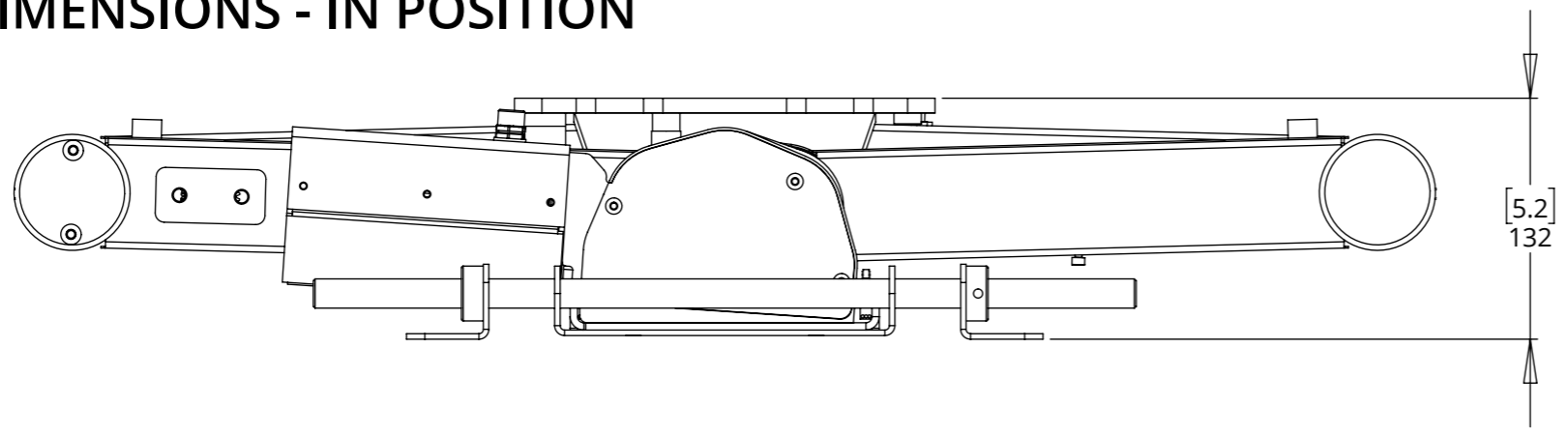


SPECIFICATION	MEASUREMENTS
Product Dimensions (HxWxD)	520mm (20.5") x 777mm (30.6") x 132mm (5.2")
Maximum Weight Capacity	45Kg (99lbs)
Maximum Speed	25mm/s
Maximum Extension From Wall	765mm (30.1") to Mounting Surface
Depth From Wall	132mm (5.2")
Product Weight	40Kg (88lbs)
Packaging Dimensions	TBC
Shipping Weight	TBC
Maximum Rotation	75° - Both directions (Screen Width Dependant)
Movement Type	Motorised
Power Supply Required	110V - 240V AC
Power Consumption Max.	120W
Power Consumption Standby	3W
Mounting Patterns Supported	VESA 400, 300, 200 W x 500, 400, 300, 200 H
Control Options	IR Remote, RS232, Contact Closure
Product Options / Features	Specific B&O and Loewe mounts / adapters, Custom RAL paint finishes
Package Contents	Mechanism, IR remote control
Marine Suitable	Yes

# QA2-MO

## MARINE OUTDOOR QUAD ARM

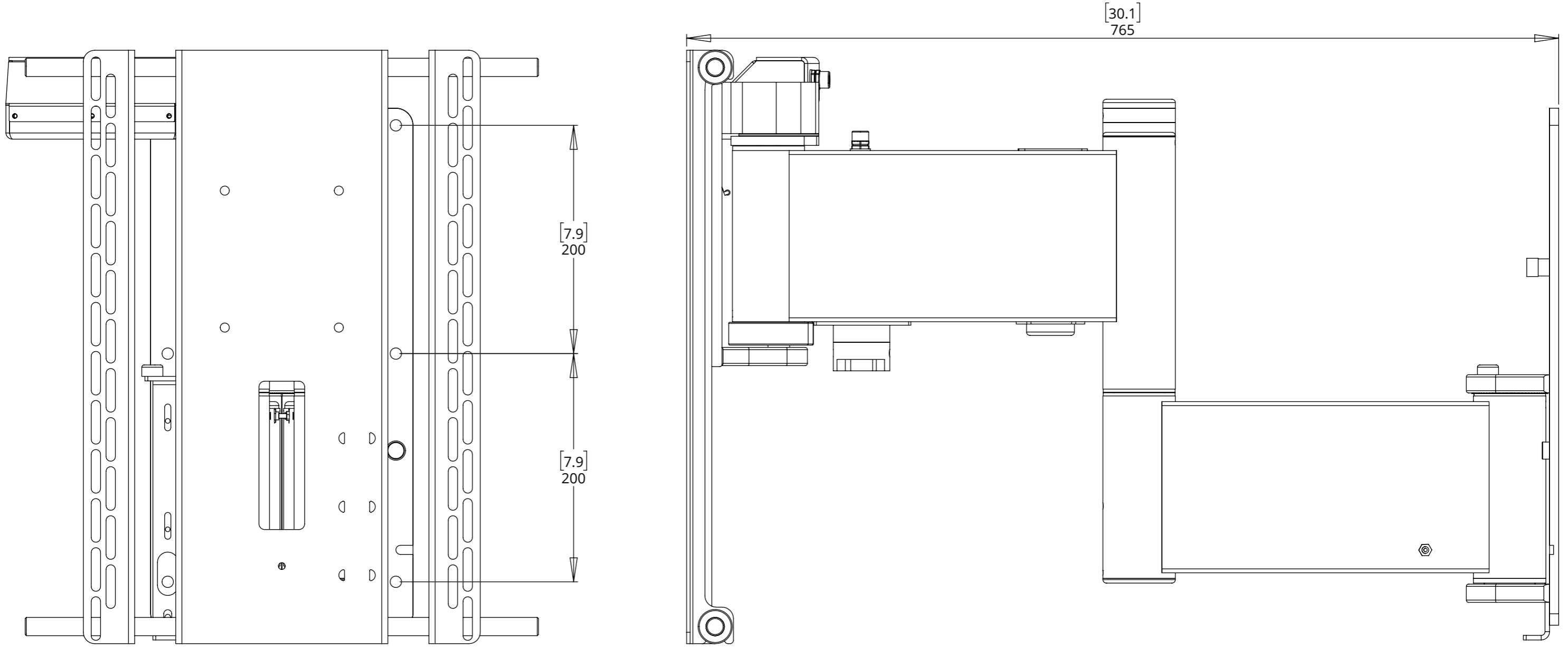
### MECHANISM DIMENSIONS - IN POSITION



# QA2-MO

## MARINE OUTDOOR QUAD ARM

### MECHANISM DIMENSIONS - OUT POSITION



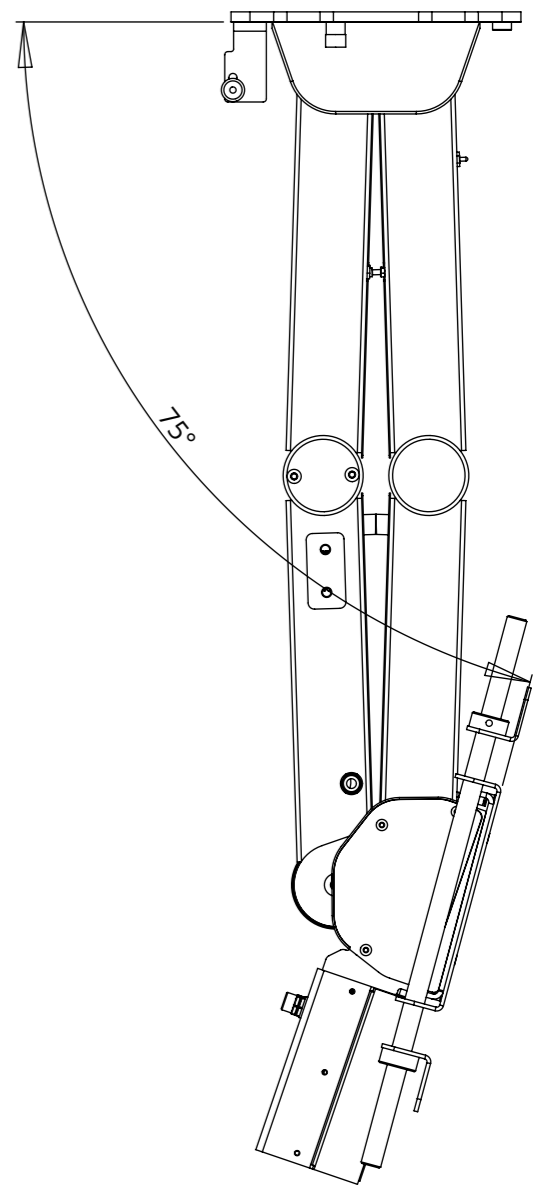
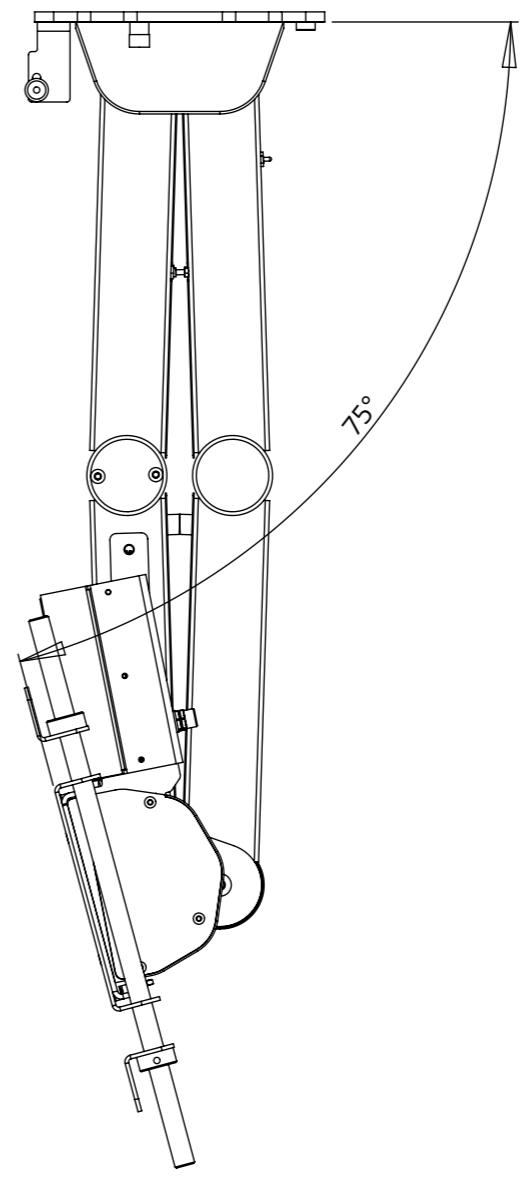
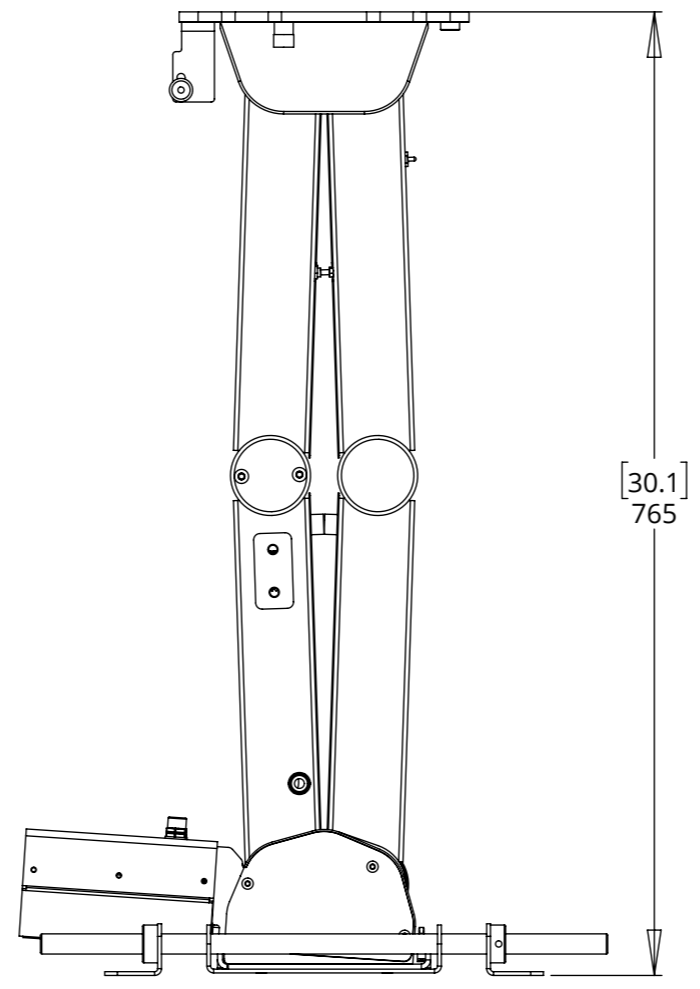
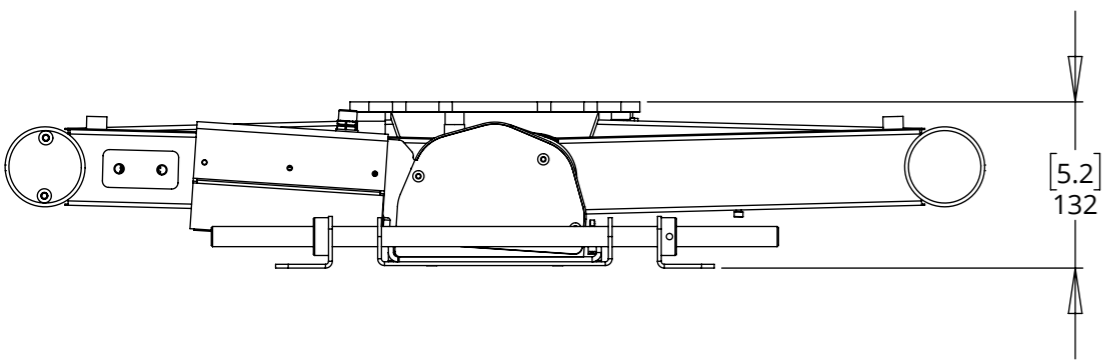
# QA2-MO

## MARINE OUTDOOR QUAD ARM



future automation

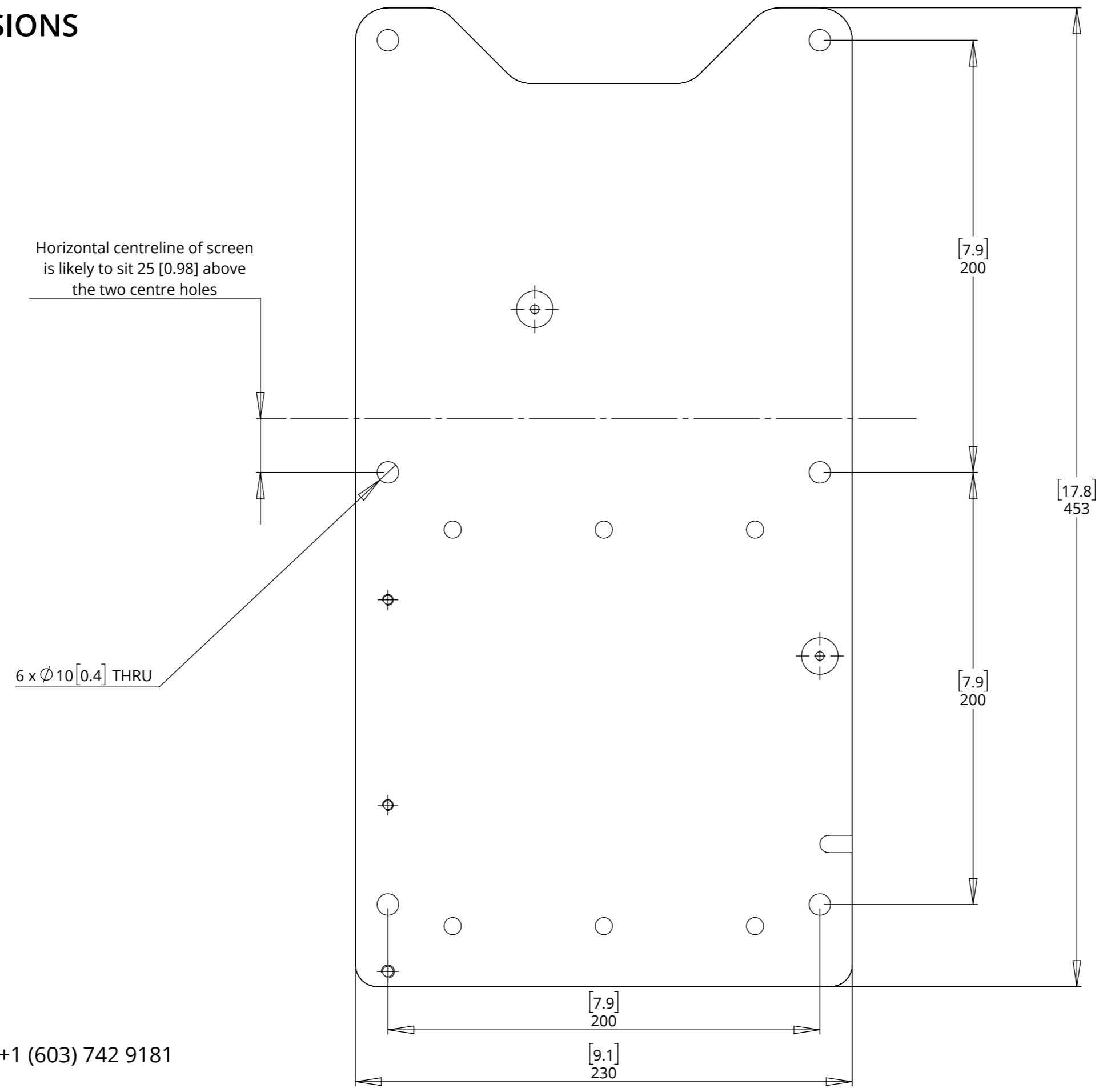
### POSITIONS



# QA2-MO

## MARINE OUTDOOR QUAD ARM

### WALL PLATE DIMENSIONS



# QA2-MO

## MARINE OUTDOOR QUAD ARM

### CONTROL BOX

- Mechanism comes with a IP56 rated control box.
- Cable loom length supplied at approx. 3m [118"']. Loom can be extended up to maximum of approx. 10m [400"'].

