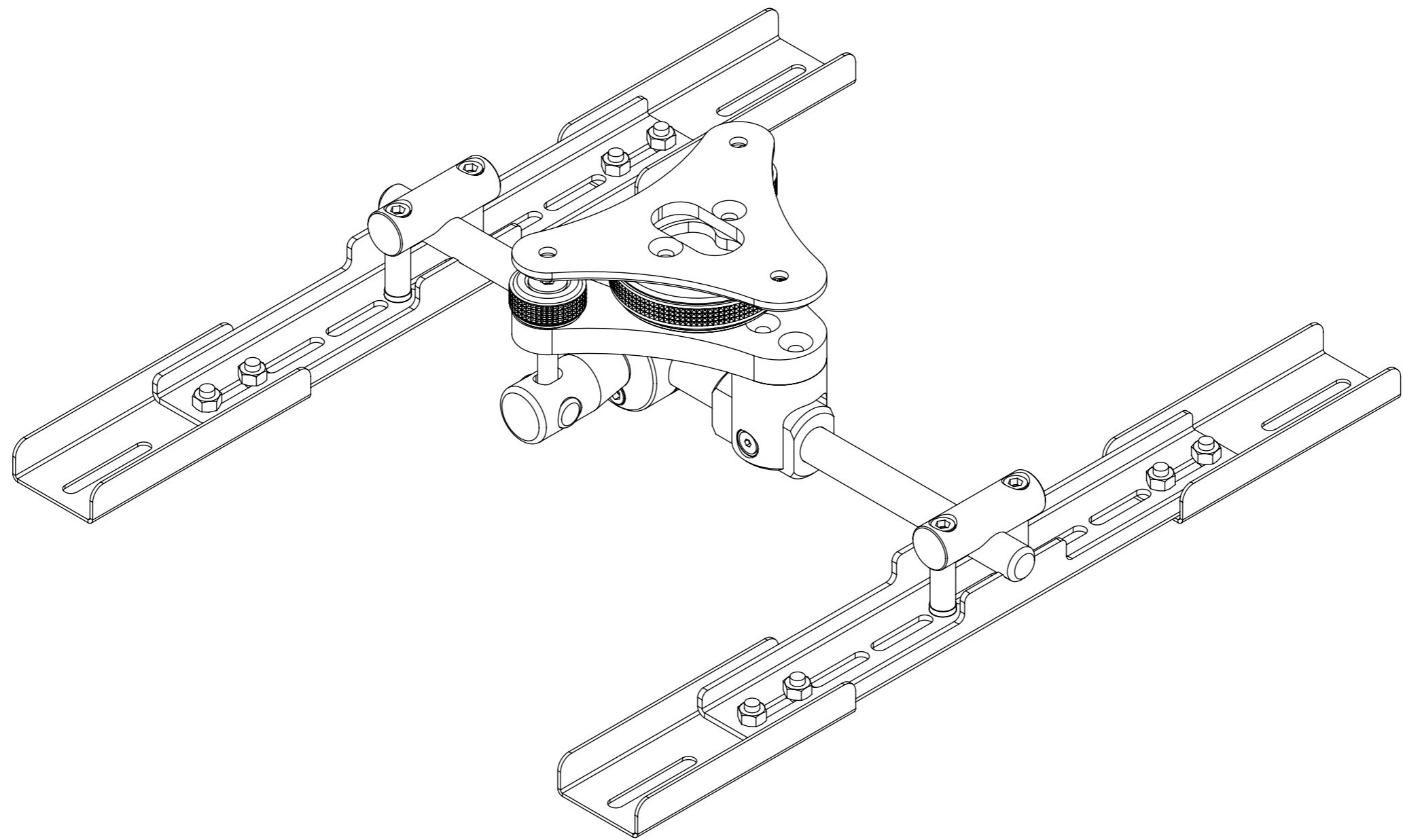


# PM PROJECTOR MOUNT SYSTEM



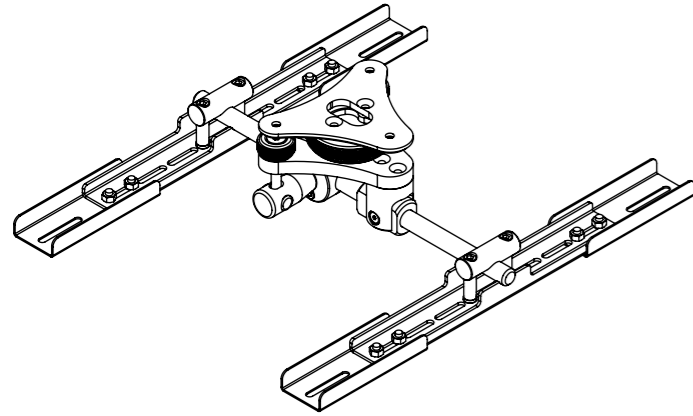
# PM PROJECTOR MOUNT SYSTEM



SPECIFICATION	MEASUREMENTS
Product Dimensions	350 x 270 x 100mm (13.4 x 10.6 x 3.9")
Maximum Weight Capacity	35kg (77lbs)
Depth From Ceiling	100mm (3.9")
Product Weight	2.5Kg (5.5lb)
Packaging Dimensions	400 x 320 x 150mm (15.74 x 12.59 x 5.90")
Shipping Weight	3kg (7lbs)
Maximum Rotation	360°
Movement Type	Manual
Adjustments	Pitch, Roll and Yaw are adjustable
Mounting Options	Flush Surface, Pole, Telescopic Pole, NPT Pipe
Product Options / Features	Projector specific mounts / adapters, Custom RAL paint finishes
Package Contents	Mechanism, Extension Plates
Marine Suitable	Yes (Indoor)

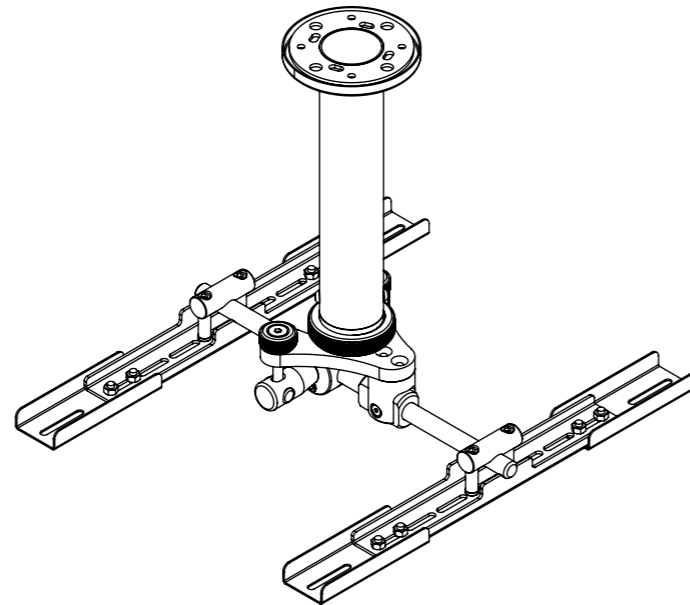
# PM PROJECTOR MOUNT SYSTEM

## CEILING FIXTURE OPTIONS



### **SURFACE MOUNTED**

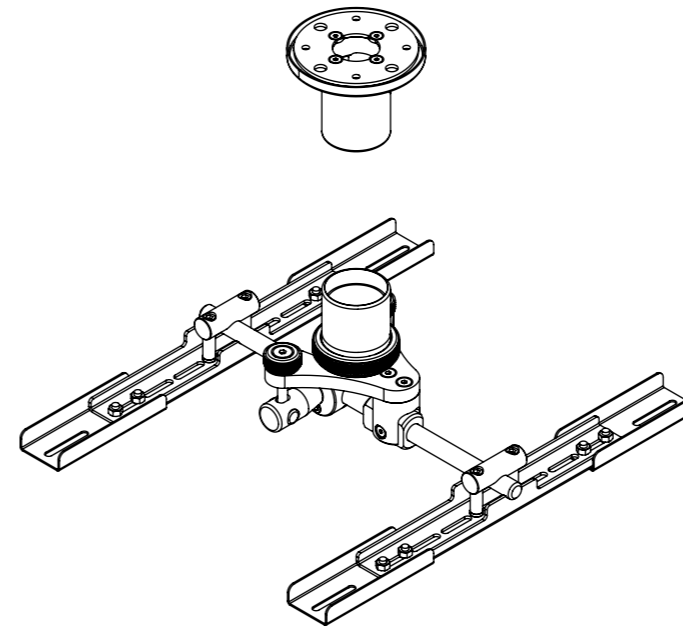
Leaves projector 100mm [4"] from ceiling for a neat stylish look.



### **POLE MOUNTED**

Available in different pole length versions, custom length poles can be designed.

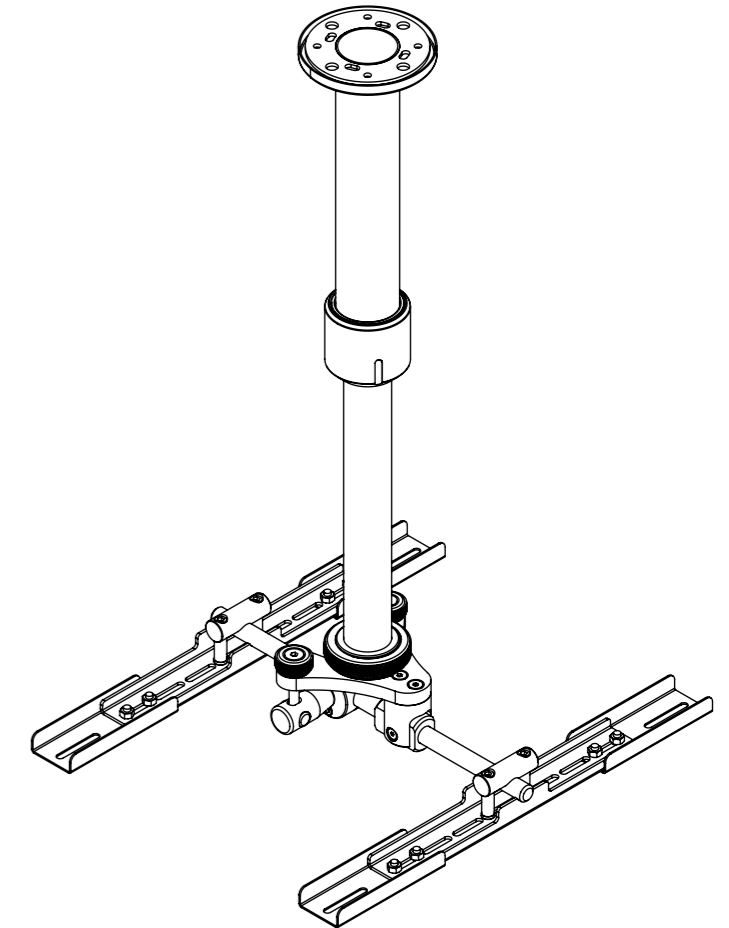
Cables exit out of top of 2" diameter stainless steel pole.



### **NPT PIPE MOUNTED**

Couplings for standard NPT pipe (pipe not supplied).

Cables exit out of top of NPT ceiling flange coupling or out of side of coupling if required.



### **TELESCOPIC POLE MOUNTED**

Two telescopic poles lengths available:

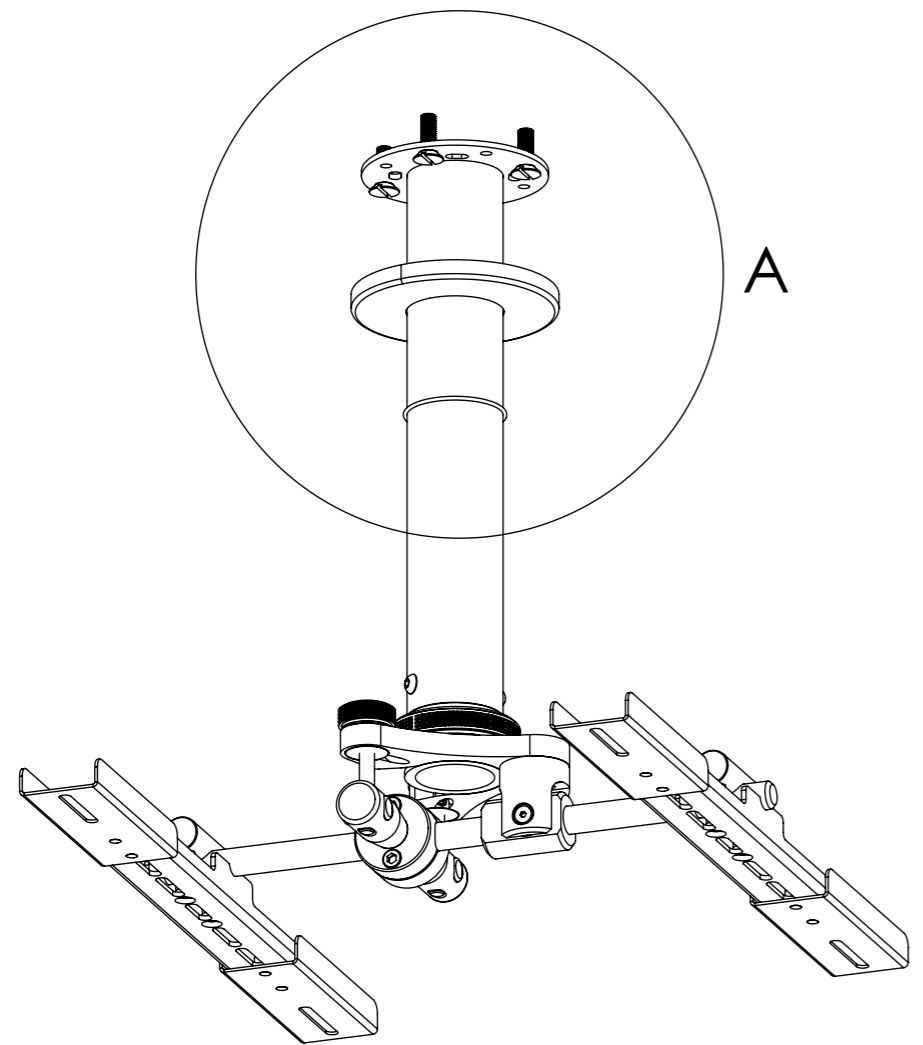
PM-TP4-7:  
400mm [15.75"] long pole that telescopes down to 700mm [27.5"].

PM-TP7-13:  
700mm [27.5"] long pole that telescopes down to 1300mm [51.2"].

Cables exit out of top of 2" diameter stainless steel pole.

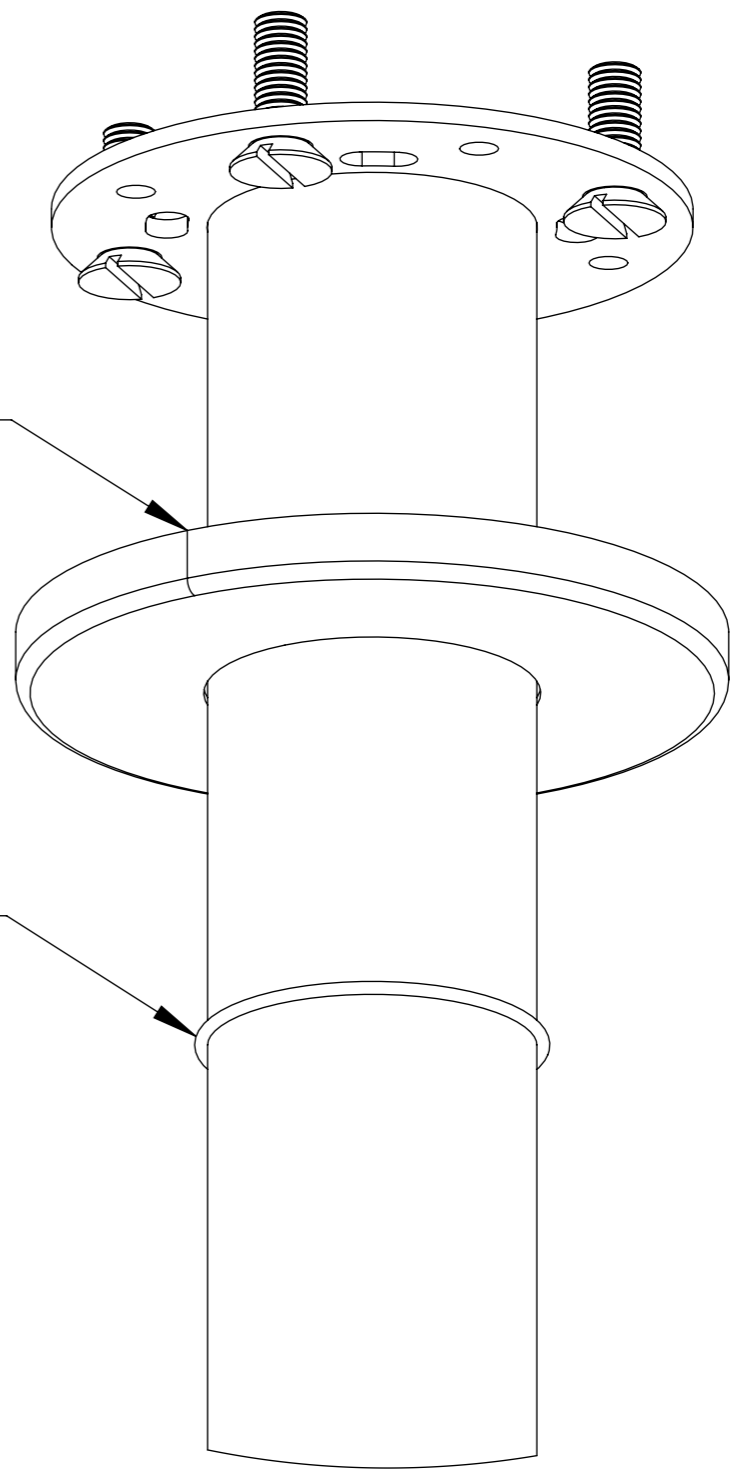
# PM PROJECTOR MOUNT SYSTEM

## POLE COVER ASSEMBLY



Stainless steel cover slides over pole to conceal fixings

Rubber O ring to hold cover in place



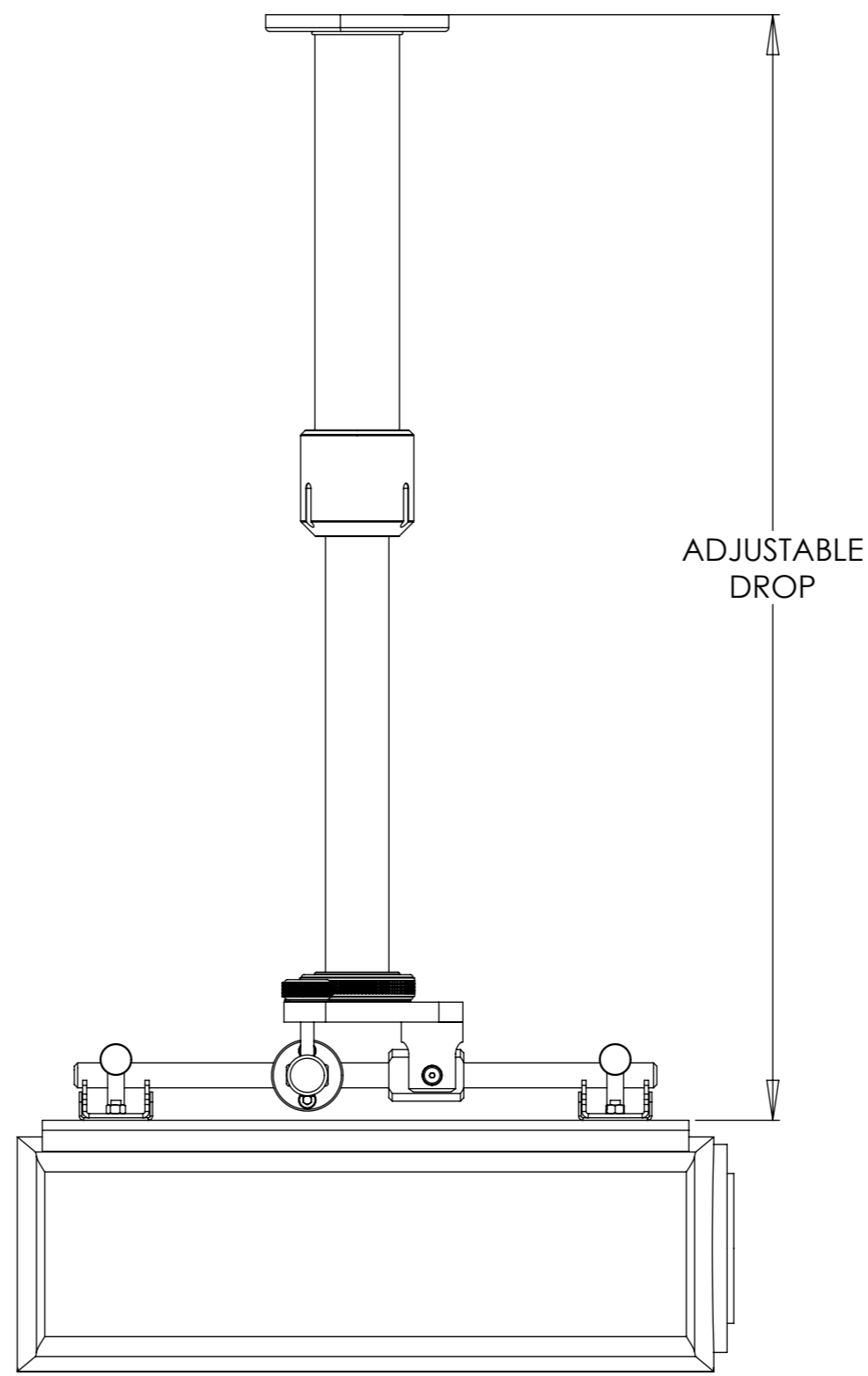
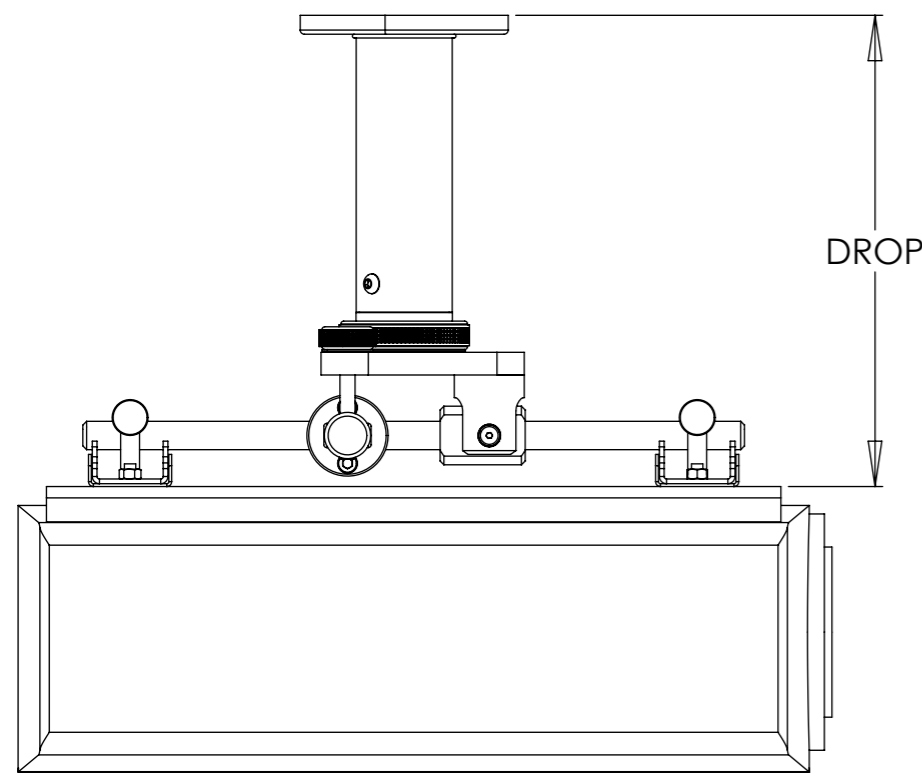
DETAIL A

# PM PROJECTOR MOUNT SYSTEM

## ADDITIONAL DROP

The standard PM system comes with a flush ceiling mount.

However, if you require the PM system to be lowered on a stainless steel pole, you can specify a fixed length pole.



Available Drop Sizes:

250 (250mm [9.8"]) - Fixed Pole Length)

500 (500mm [19.7"]) - Fixed Pole Length)

750 (750mm [29.5"]) - Fixed Pole Length)

PM-TP4-7 (400mm to 700mm [15.7" to 27.6"]  
Telescopic Pole)

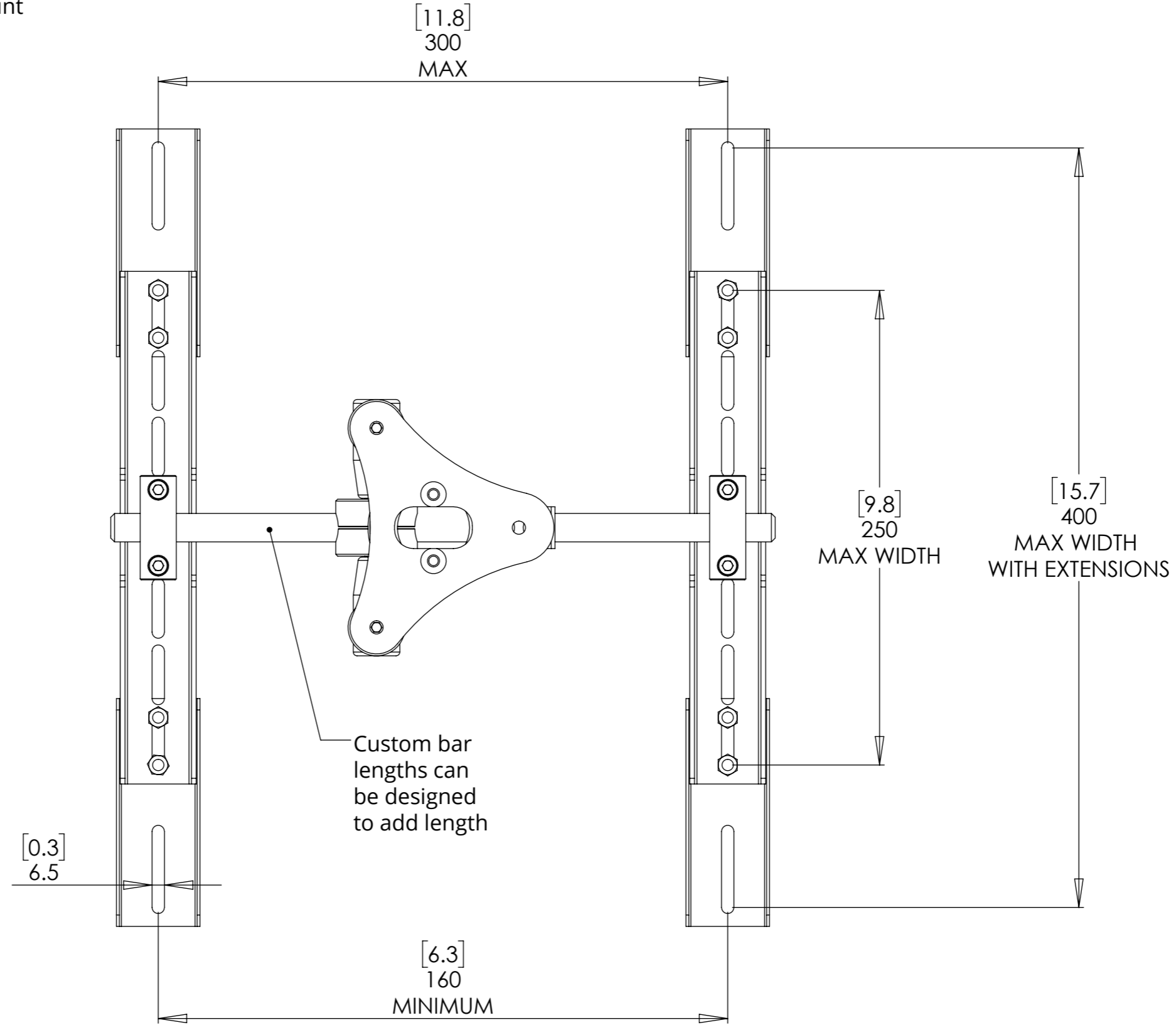
PM-TP7-13 (700mm to 1300mm [27.6" to 51.2"]  
Telescopic Pole)

# PM PROJECTOR MOUNT SYSTEM

## PROJECTOR MOUNTING DIMENSIONS

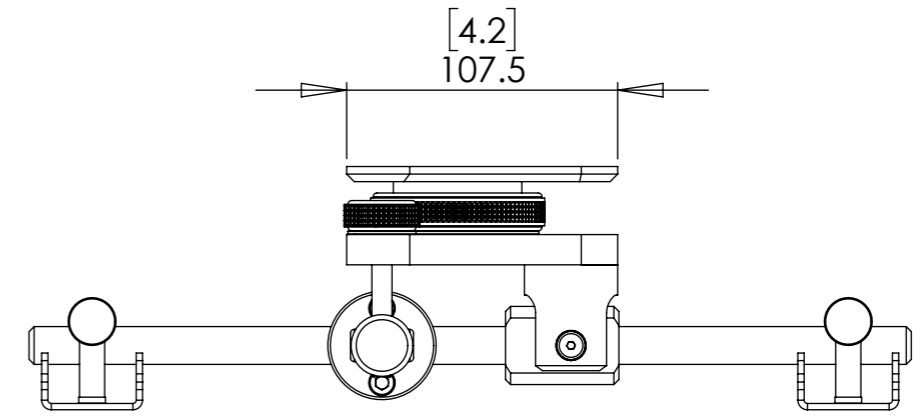
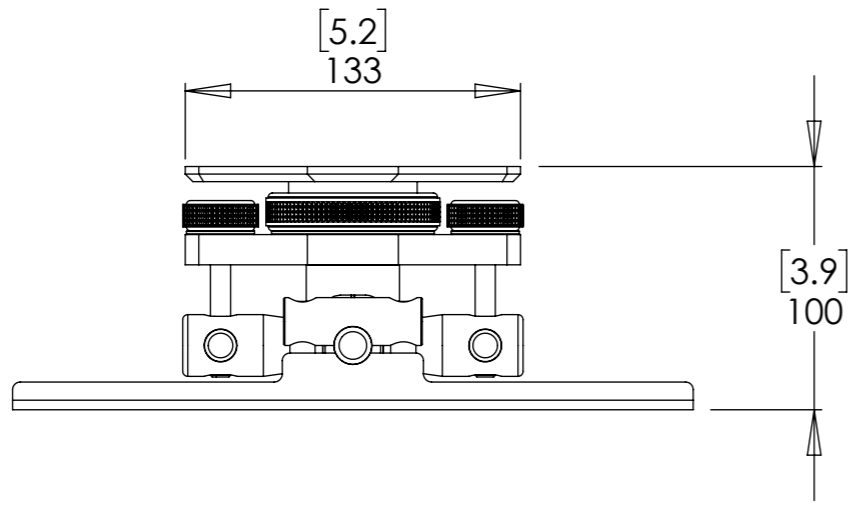
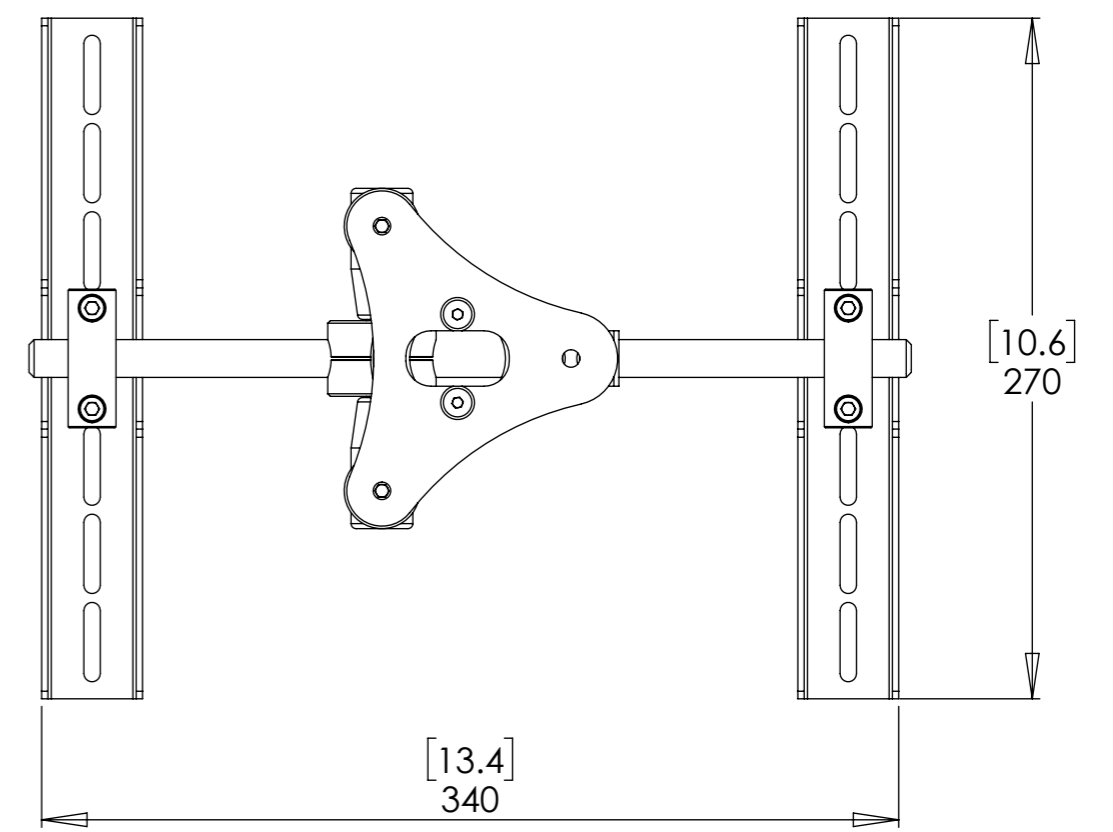
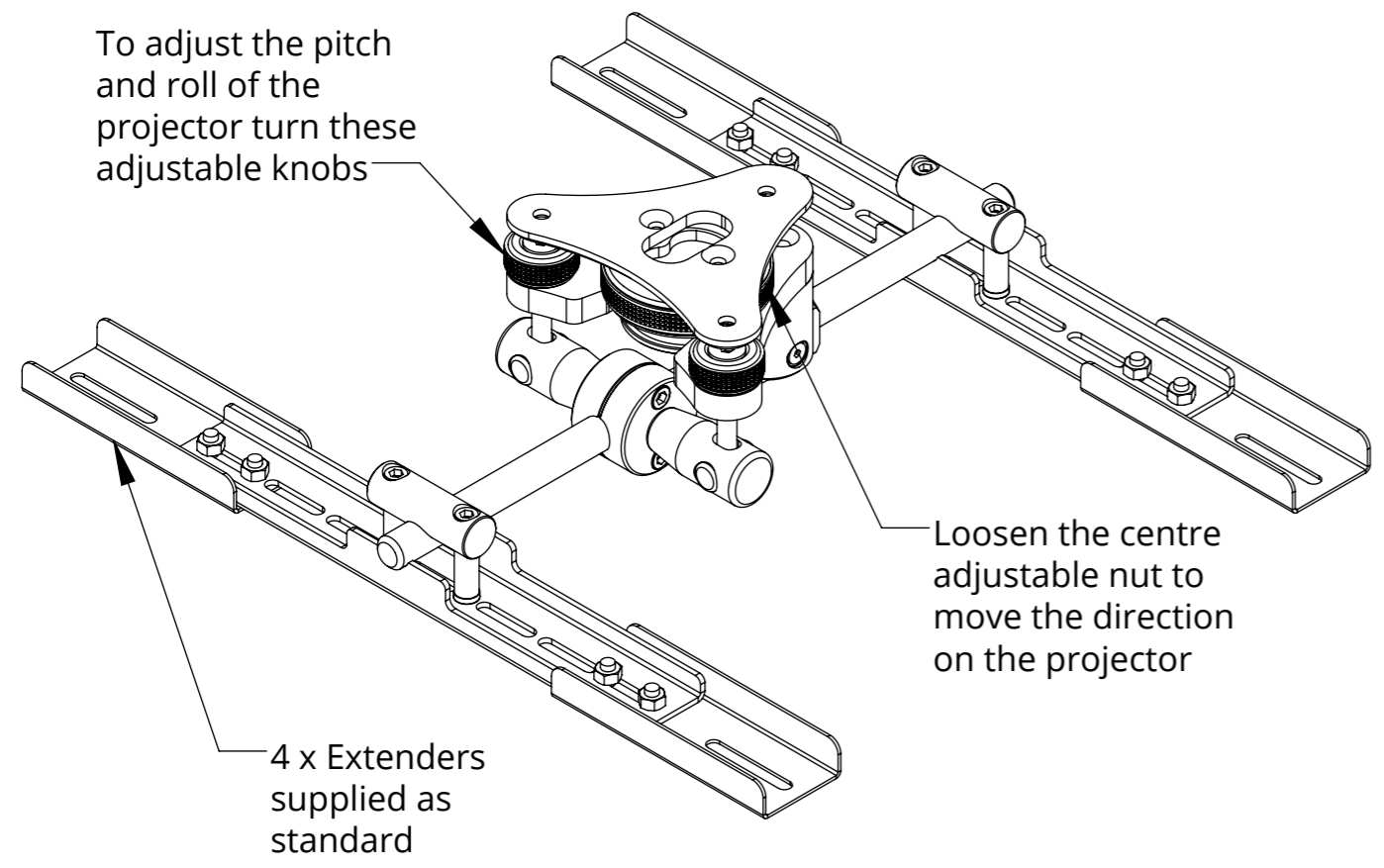
This mount set up allows for lots of different mount patterns on projectors.

If a projector has an irregular mount pattern, custom adapter plates can be designed.



# PM PROJECTOR MOUNT SYSTEM

## GENERAL DIMENSIONS



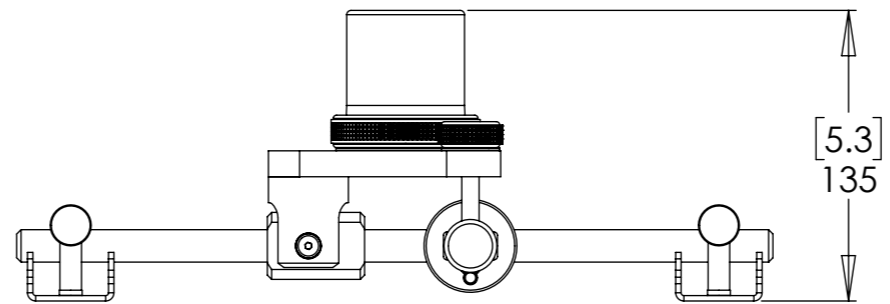
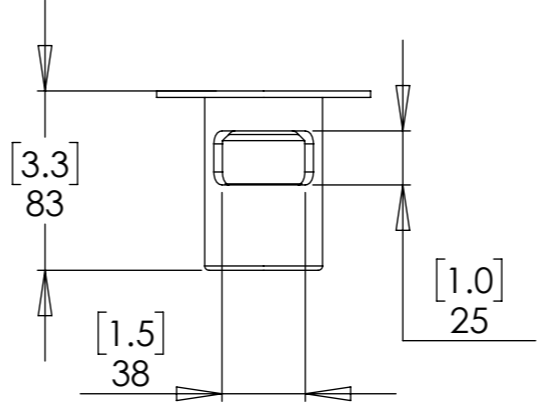
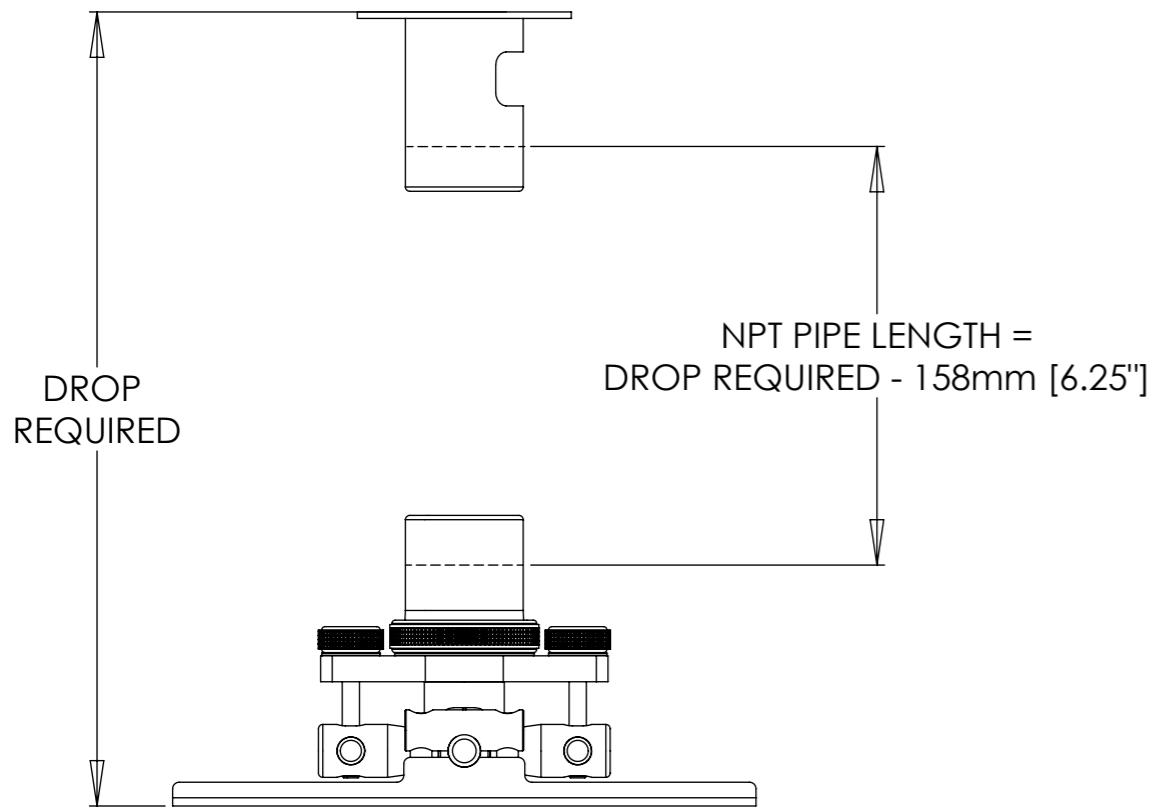
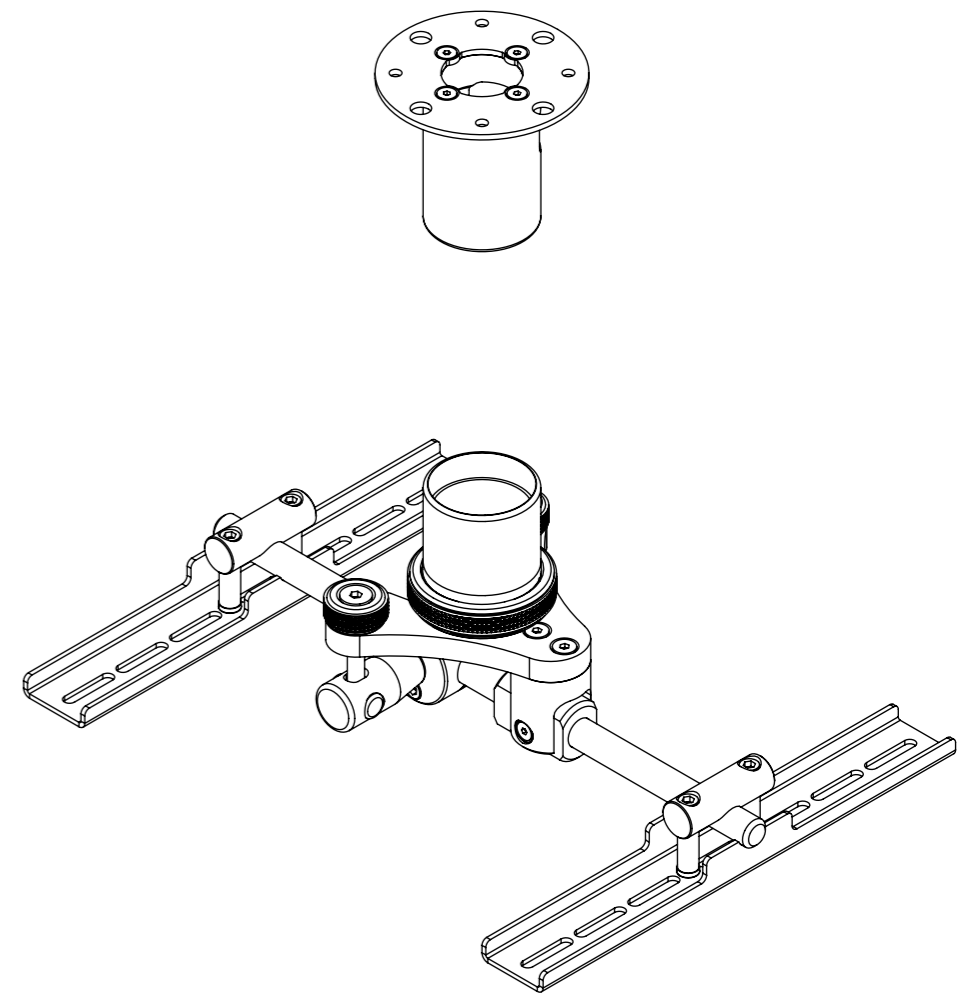
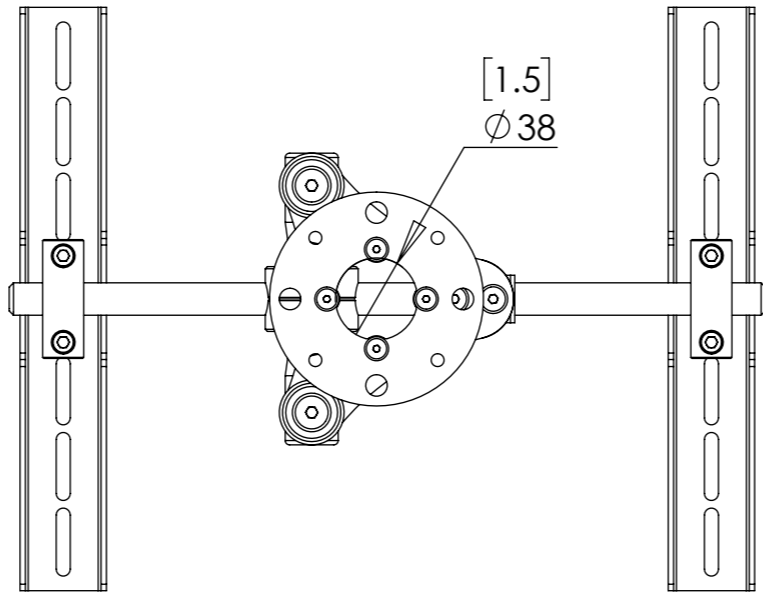
# PM PROJECTOR MOUNT SYSTEM

## NPT DIMENSIONS

This mount set up allows for standard 1 1/2" NPT pipe to be used to allow the installer to make their own custom lengthpole.

The overall length of the pipe is just 6.25" [158mm] less than the overall drop required from ceiling to projector.

Couplings are machined aluminium finish.





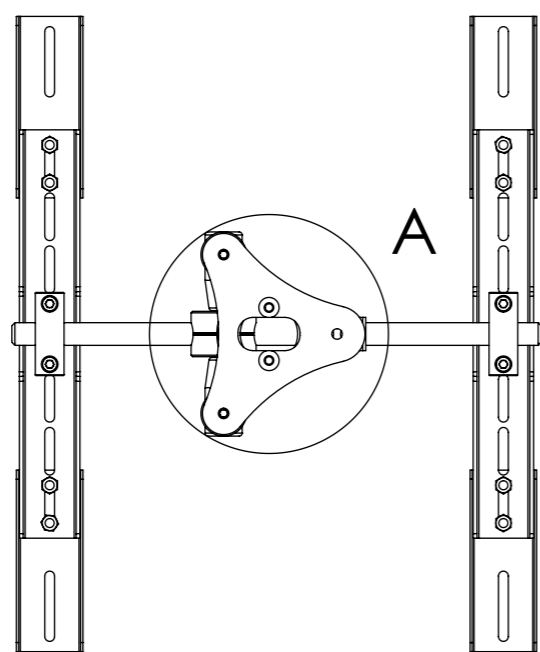
# PM PROJECTOR MOUNT SYSTEM



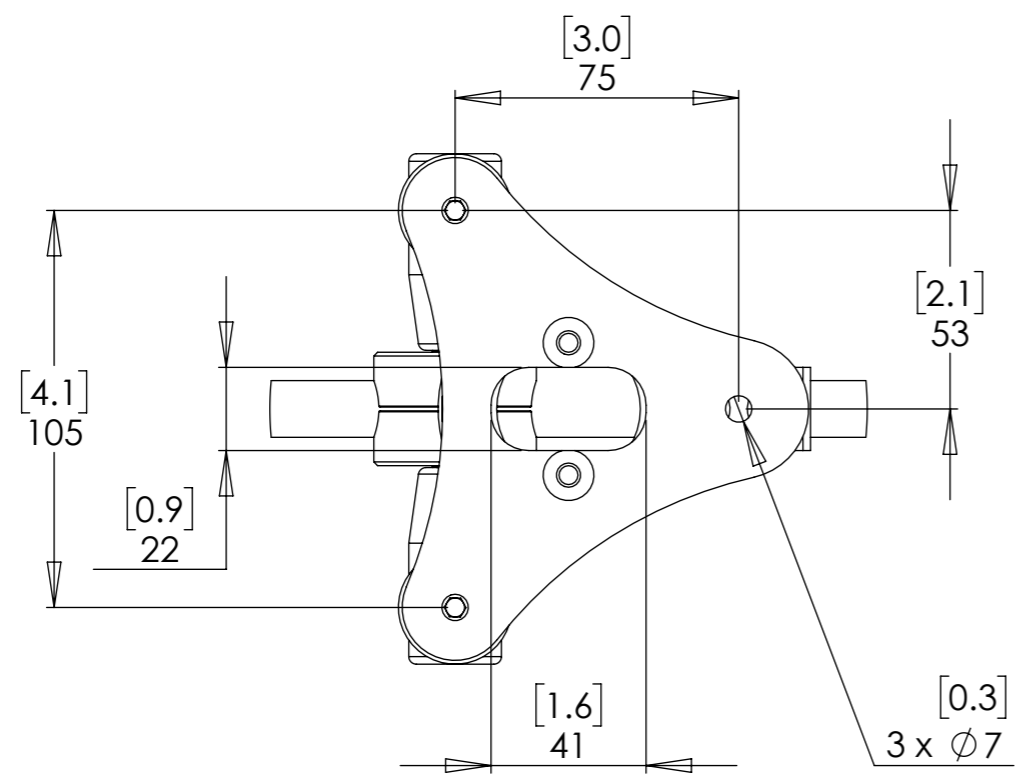
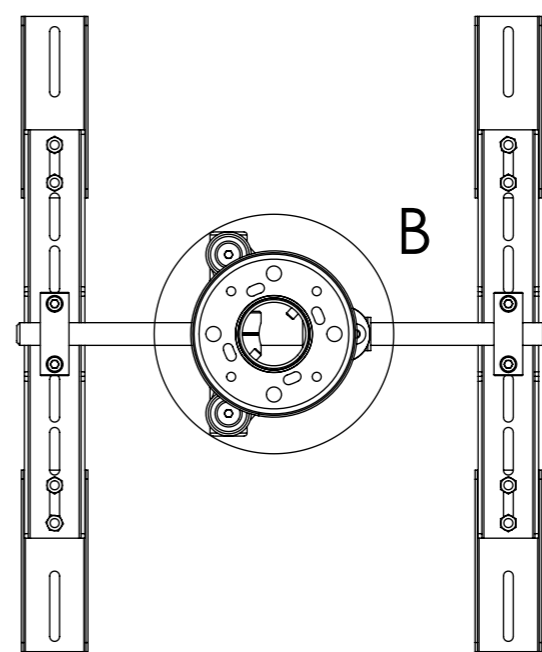
future automation

## MOUNTING OPTIONS

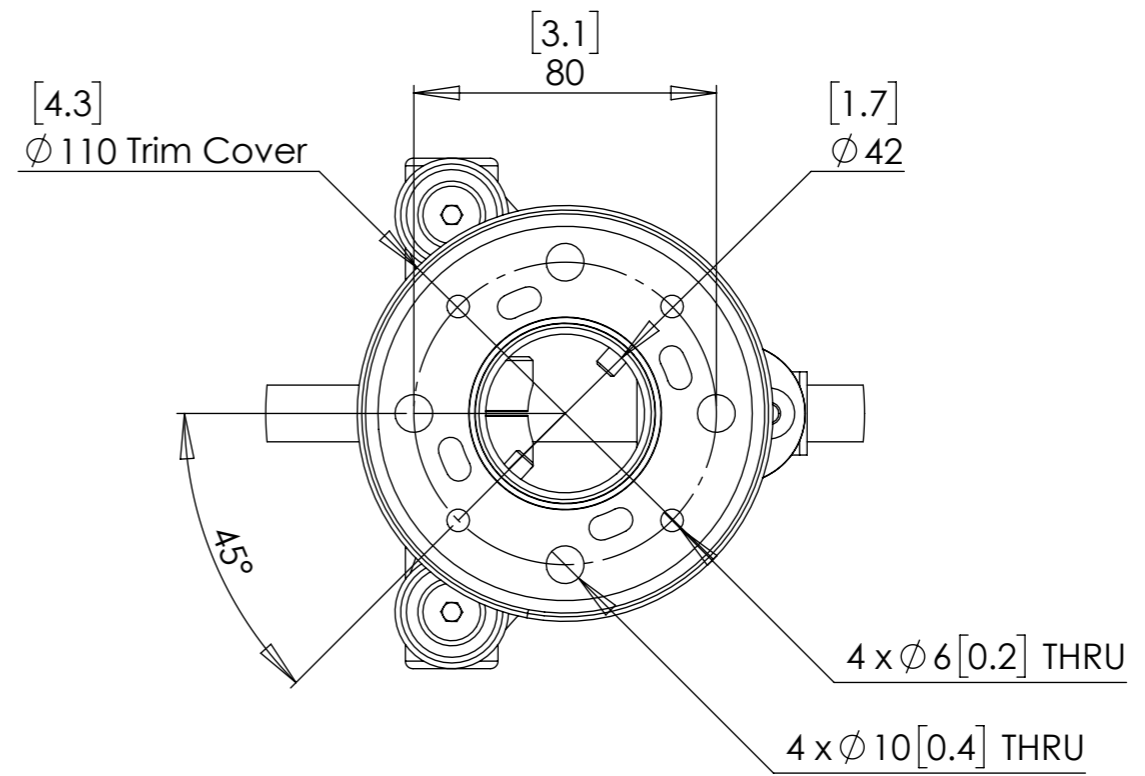
Surface Mount:



Pole Mount:



DETAIL A



DETAIL B