





### Important Information

Start with screen size. Match the size of your screen to one of the 5 standard lift sizes. Make sure that you don't include the stand, as a suitable support framework will be supplied with the mechanism. Make sure the size includes any clip on speakers required.

The flap is only 6mm thick. This is bonded to an Aluminium section beneath supplied with the lift. This will help prevent warping. It is advisable to varnish both sides of the flap.

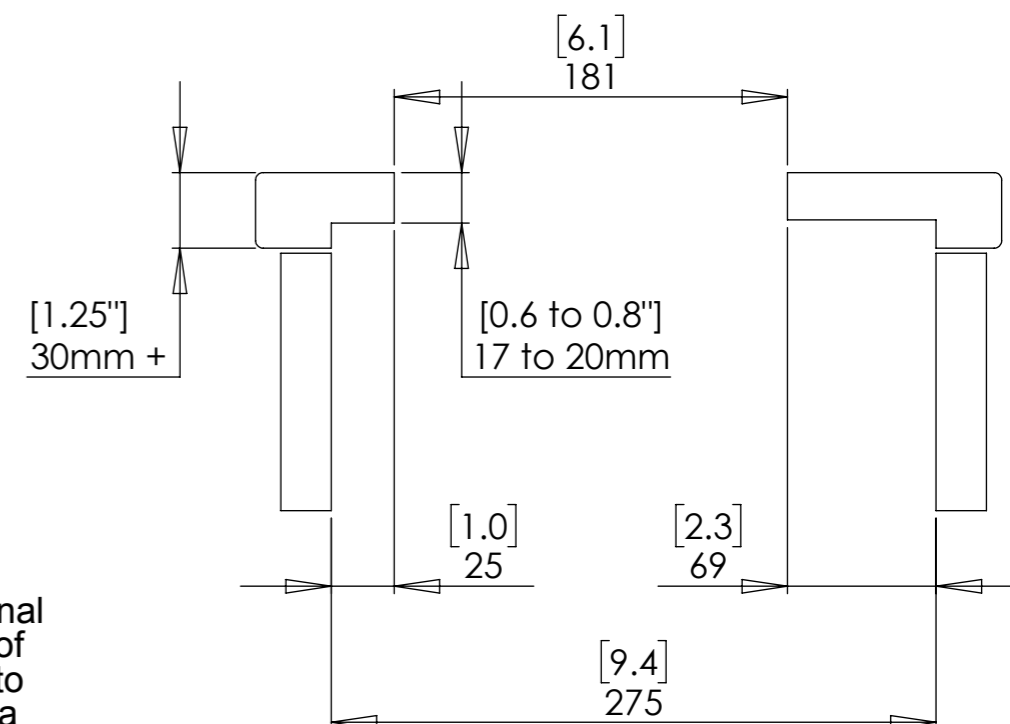
The base goes under the screen and will need holes drilled during installation for the support framework and screen cables.

The height and width are critical so make the cabinet to the exact size stated in the technical sheets. The lift mechanism will be slightly smaller than the sizes given. The depth of the cabinet can be increased.

Full front or back access is required in order to insert the mechanism within the cabinet.

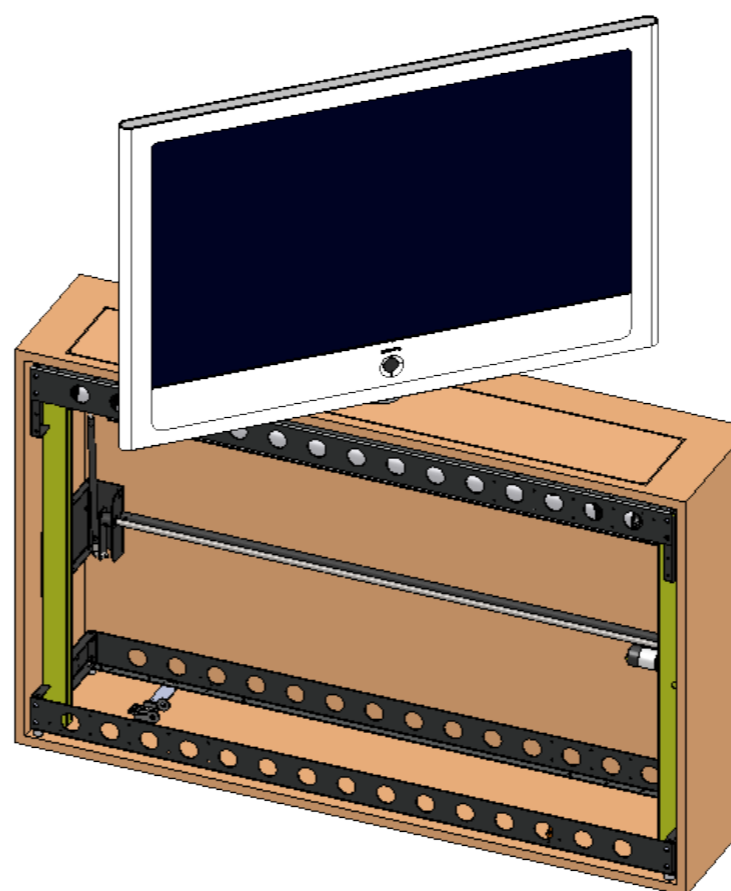
For safety reasons it is advisable for the cabinet top to be held on only with dowels. This will allow the top to be lifted off if a hand is placed in the opening when the screen is lifting.

### Example of a Thicker Cabinet Top



The PLS incorporates an additional swivel movement to the action of the screen. The screen is able to rotate about its centre through a maximum angle of 180° CW and Counter-CW.

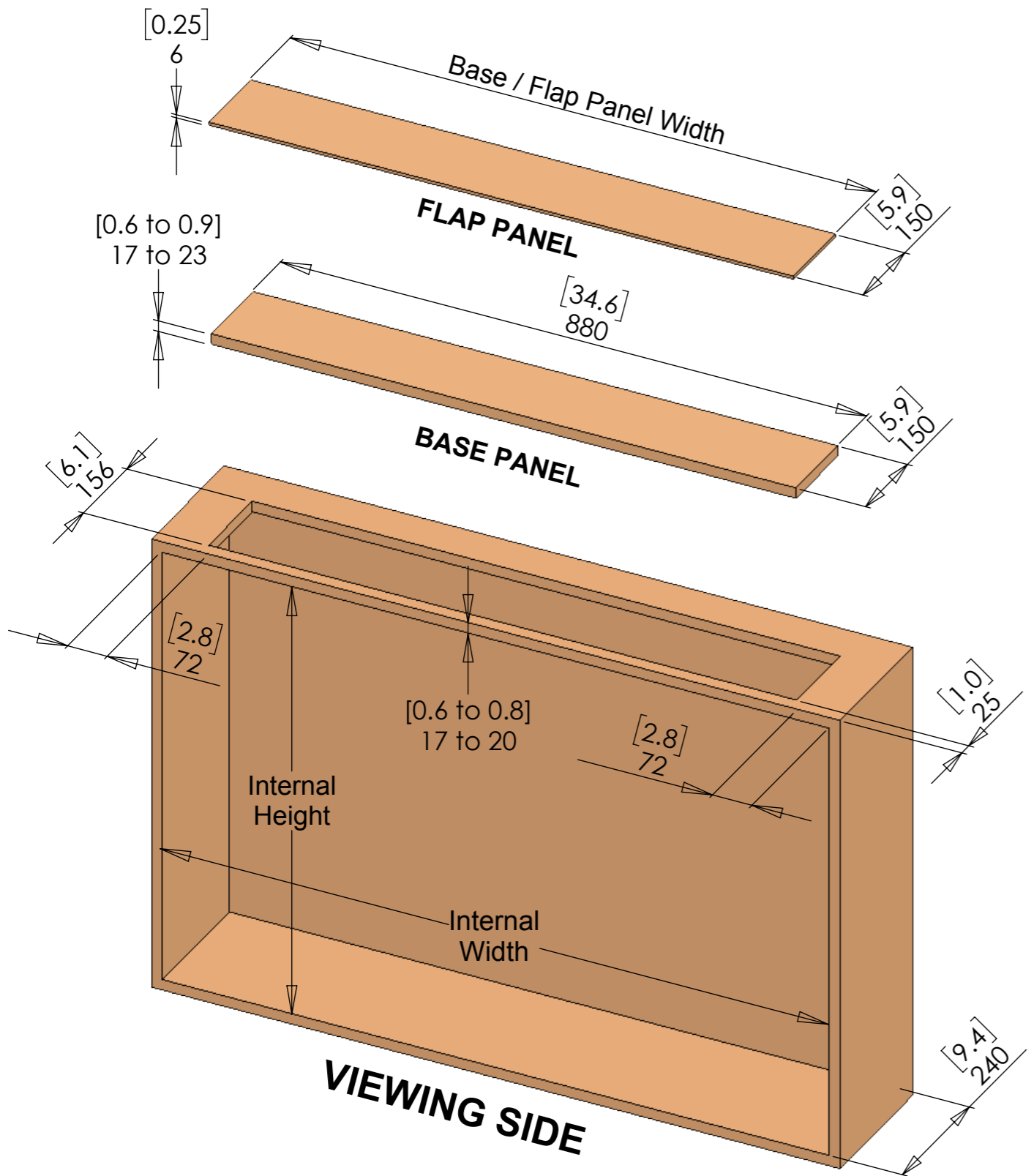
The section above shows the use of a thicker cabinet top. This is possible but the top thickness around the mechanism must be no more than 17 to 20mm.



## PL Bespoke - Slim

Maximum screen thickness - 105mm [4.1"]  
Maximum screen weight - 50Kg [110lb]

Maximum flap panel weight - 4Kg [9lb]  
Maximum base panel weight - 6Kg [13lb]



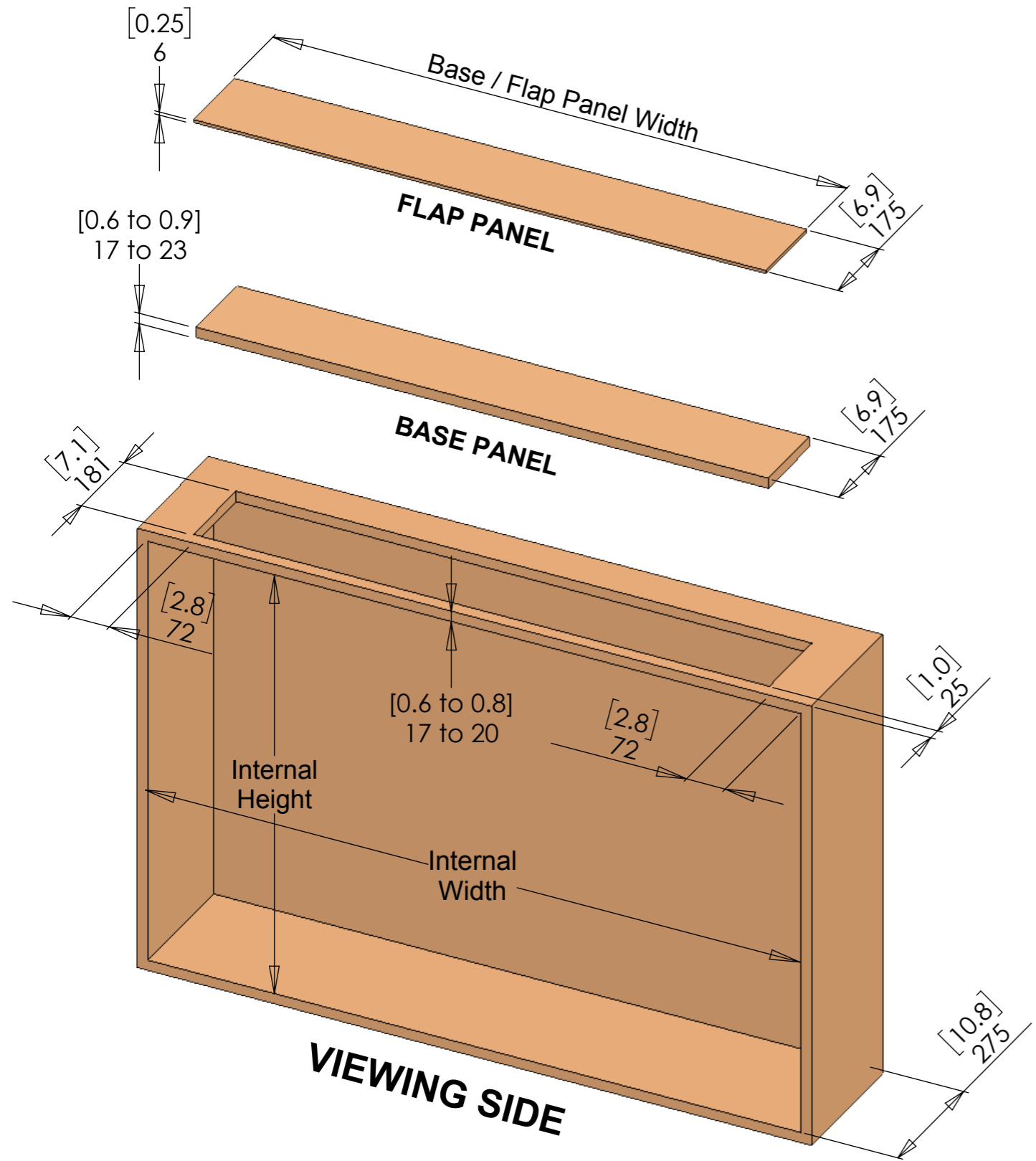
MAXIMUM SCREEN HEIGHT mm [inches]	MAXIMUM SCREEN HEIGHT FOR SWIVEL	INTERNAL HEIGHT mm [inches]
530 [20.9]	SWIVEL OPTION NOT AVAILABLE ON SLIM PL LIFT MECHANISMS	H 710 [28.0]
580 [22.8]		H 760 [29.9]
630 [24.8]		H 810 [31.9]
680 [26.8]		H 860 [33.9]
730 [28.7]		H 910 [35.8]
780 [30.7]		H 960 [37.8]
830 [32.7]		H 1010 [39.8]
880 [34.6]		H 1060 [41.7]

MAXIMUM SCREEN WIDTH mm [inches]	BASE / FLAP PANEL WIDTH mm [inches]	INTERNAL WIDTH mm [inches]
650 [25.6]	670 [26.4]	W 820 [32.3]
750 [29.5]	770 [30.3]	W 920 [36.3]
850 [33.5]	870 [34.3]	W 1020 [40.2]
950 [37.4]	970 [38.2]	W 1120 [44.1]
1050 [41.3]	1070 [42.1]	W 1220 [48.1]
1150 [45.3]	1170 [46.1]	W 1320 [52.0]
1250 [49.2]	1270 [50.0]	W 1420 [56.0]
1350 [53.1]	1370 [53.9]	W 1520 [59.9]
1450 [57.1]	1470 [57.9]	W 1620 [63.8]
1550 [61.0]	1570 [61.8]	W 1720 [67.7]
1650 [65.0]	1670 [65.7]	W 1820 [71.7]

## PL Bespoke - Deep

Maximum screen thickness - 130mm [5.1"]  
Maximum screen weight - 50Kg [110lb]

Maximum flap panel weight - 4Kg [9lb]  
Maximum base panel weight - 6Kg [13lb]



MAXIMUM SCREEN HEIGHT mm [inches]	MAXIMUM SCREEN HEIGHT FOR SWIVEL mm [inches]	INTERNAL HEIGHT mm [inches]
530 [20.9]	520 [20.4]	<b>H 710 [28.0]</b>
580 [22.8]	570 [22.4]	<b>H 760 [29.9]</b>
630 [24.8]	620 [24.4]	<b>H 810 [31.9]</b>
680 [26.8]	670 [26.3]	<b>H 860 [33.9]</b>
730 [28.7]	720 [28.3]	<b>H 910 [35.8]</b>
780 [30.7]	770 [30.3]	<b>H 960 [37.8]</b>
830 [32.7]	820 [32.2]	<b>H 1010 [39.8]</b>
880 [34.6]	870 [34.2]	<b>H 1060 [41.7]</b>

MAXIMUM SCREEN WIDTH mm [inches]	BASE / FLAP PANEL WIDTH mm [inches]	INTERNAL WIDTH mm [inches]
650 [25.6]	670 [26.4]	<b>W 820 [32.3] **</b>
750 [29.5]	770 [30.3]	<b>W 920 [36.3]</b>
850 [33.5]	870 [34.3]	<b>W 1020 [40.2]</b>
950 [37.4]	970 [38.2]	<b>W 1120 [44.1]</b>
1050 [41.3]	1070 [42.1]	<b>W 1220 [48.1]</b>
1150 [45.3]	1170 [46.1]	<b>W 1320 [52.0]</b>
1250 [49.2]	1270 [50.0]	<b>W 1420 [56.0]</b>
1350 [53.1]	1370 [53.9]	<b>W 1520 [59.9]</b>
1450 [57.1]	1470 [57.9]	<b>W 1620 [63.8]</b>
1550 [61.0]	1570 [61.8]	<b>W 1720 [67.7]</b>
1650 [65.0]	1670 [65.7]	<b>W 1820 [71.7]</b>

**IMPORTANT**  
When opting for a swivelling mechanism (PLS), maximum screen thickness is then reduced to 115mm [4.5"].

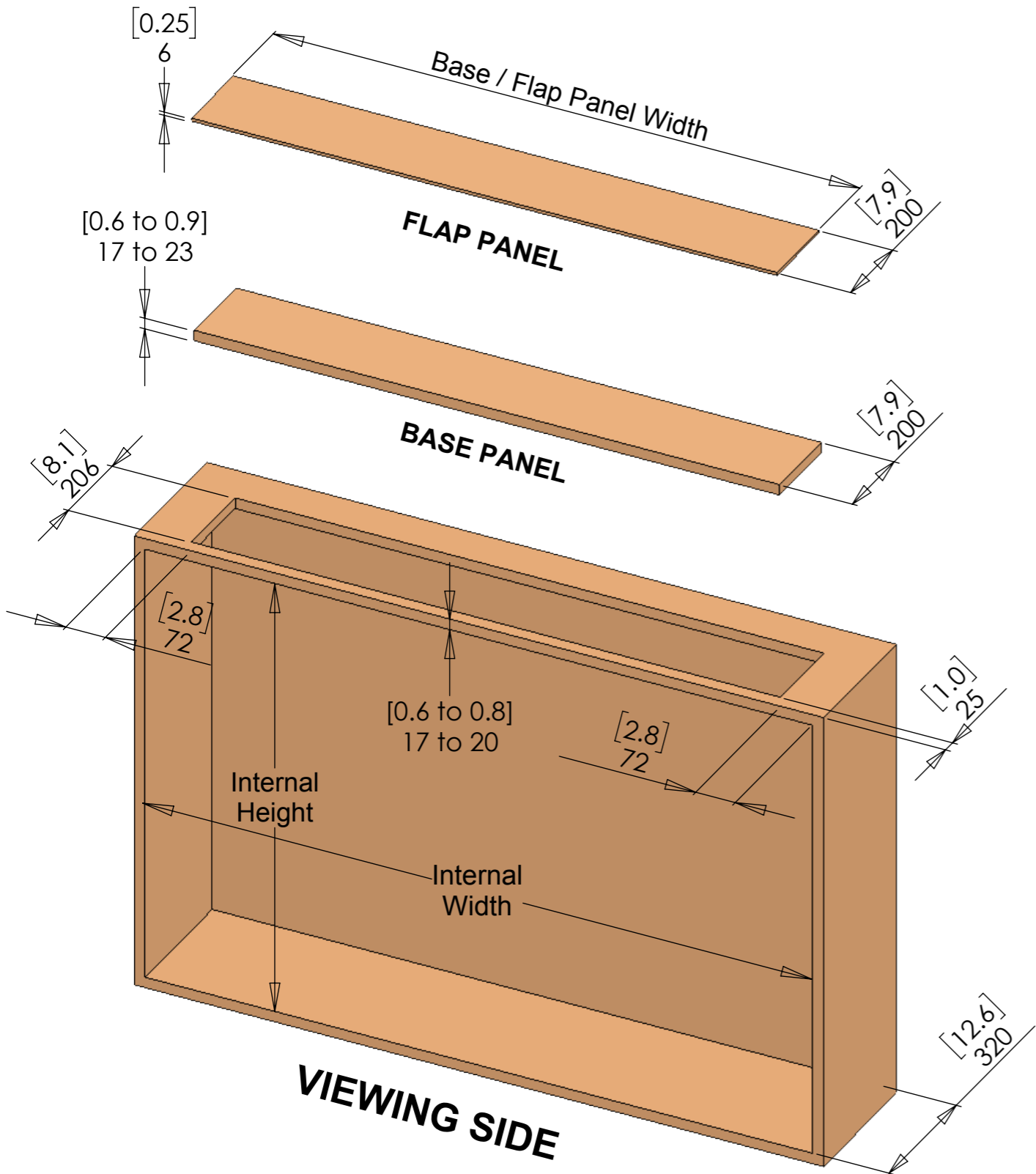
\*\* Swivel option NOT available with this width.



## PL Bespoke - Super Deep

Maximum screen thickness - 155mm [6.1"]  
Maximum screen weight - 50Kg [110lb]

Maximum flap panel weight - 4Kg [9lb]  
Maximum base panel weight - 6Kg [13lb]



MAXIMUM SCREEN HEIGHT mm [inches]	MAXIMUM SCREEN HEIGHT FOR SWIVEL mm [inches]	INTERNAL HEIGHT mm [inches]
530 [20.9]	520 [20.4]	<b>H 710 [28.0]</b>
580 [22.8]	570 [22.4]	<b>H 760 [29.9]</b>
630 [24.8]	620 [24.4]	<b>H 810 [31.9]</b>
680 [26.8]	670 [26.3]	<b>H 860 [33.9]</b>
730 [28.7]	720 [28.3]	<b>H 910 [35.8]</b>
780 [30.7]	770 [30.3]	<b>H 960 [37.8]</b>
830 [32.7]	820 [32.2]	<b>H 1010 [39.8]</b>
880 [34.6]	870 [34.2]	<b>H 1060 [41.7]</b>

MAXIMUM SCREEN WIDTH mm [inches]	BASE / FLAP PANEL WIDTH mm [inches]	INTERNAL WIDTH mm [inches]
650 [25.6]	670 [26.4]	<b>W 820 [32.3] **</b>
750 [29.5]	770 [30.3]	<b>W 920 [36.3]</b>
850 [33.5]	870 [34.3]	<b>W 1020 [40.2]</b>
950 [37.4]	970 [38.2]	<b>W 1120 [44.1]</b>
1050 [41.3]	1070 [42.1]	<b>W 1220 [48.1]</b>
1150 [45.3]	1170 [46.1]	<b>W 1320 [52.0]</b>
1250 [49.2]	1270 [50.0]	<b>W 1420 [56.0]</b>
1350 [53.1]	1370 [53.9]	<b>W 1520 [59.9]</b>
1450 [57.1]	1470 [57.9]	<b>W 1620 [63.8]</b>
1550 [61.0]	1570 [61.8]	<b>W 1720 [67.7]</b>
1650 [65.0]	1670 [65.7]	<b>W 1820 [71.7]</b>

**IMPORTANT**  
When opting for a swivelling mechanism (PLS), maximum screen thickness is then reduced to 130mm [5.1"].

\*\* Swivel option NOT available with this width.

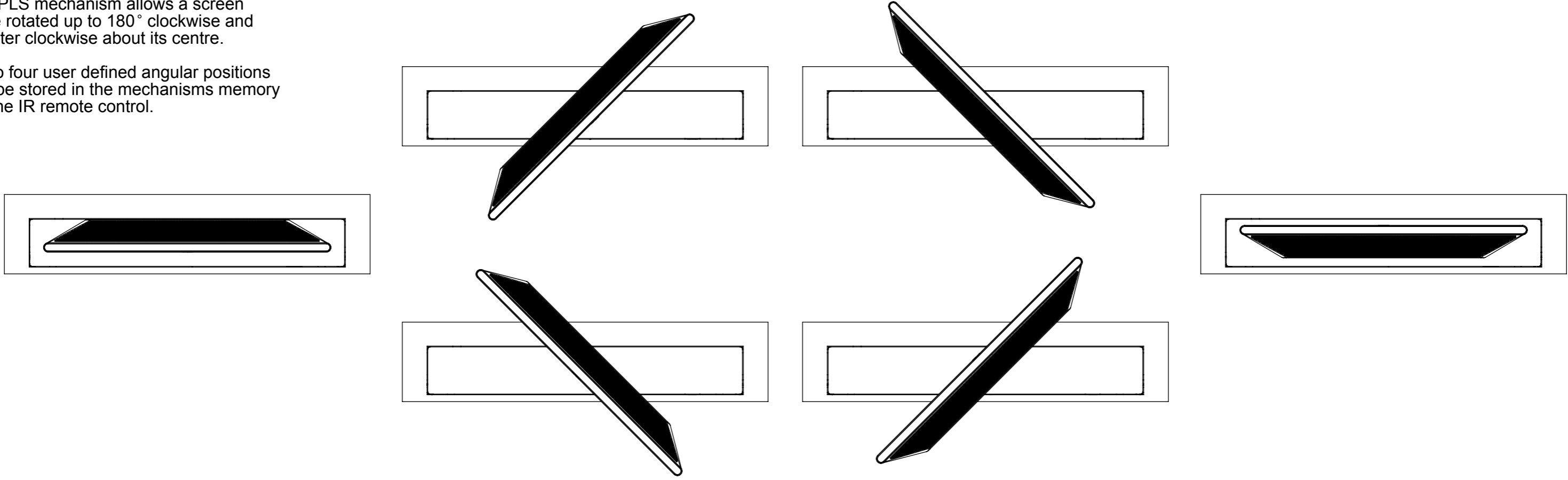




### PLS - Lift with Swivel Function

The PLS mechanism allows a screen to be rotated up to 180° clockwise and counter clockwise about its centre.

Up to four user defined angular positions can be stored in the mechanisms memory via the IR remote control.



### PLS - Base Panel Details

The PLS mechanism requires the same base panel dimensions as a PL mechanism. The base panel used on a PLS mechanism simply requires an additional circular cut out for the swivelling mount the fix through.

Dimensions shown, right, are correct for Deep (D275) and Super Deep (D320) PLS mechanisms.

