

K-300p Phono Preamplifier

Owner's Reference



KRELL
THE LEADER IN AUDIO ENGINEERING

Table of Contents

Getting Started _____ (3)

Unpacking / Placement / AC Power Guidelines _____ (4)

Front Panel _____ (5)

Rear Panel _____ (5)

Specifications _____ (8)

Warranty _____ (9)

Service _____ (10)

Krell Contact Information _____ (10)

Getting Started

Thank you for your purchase of a Krell K-300p component.

The K-300p is a high gain low noise preamplifier for moving coil or moving magnet phono cartridges. The moving coil and moving magnet amplifiers are completely separate from each other and are optimized for their respective input sources. The passive RIAA equalization is accurate to +/- 0.2dB for nearly perfect reconstruction of the original recording. The K-300p has balanced outputs for connection to high performance preamplifiers and uses Krell Current-Mode™ Technology in the output stage for that effortless natural sound Krell is known for.

WARNING! Do not place the component where it could be exposed to dirt or excessive moisture. The ventilation grids on the top of the K-300p must be unobstructed at all times. Do not place flammable material on top of or beneath the unit. When making connections to this or any other model, make sure all components are off. Turn off all system power before connecting the K-300p to any other component. Make sure all cables are of the highest quality, free from frayed ends, short circuits or cold solder joints.

WARNINGS



This product complies with the EMC directive (89/336/EEC) and the low-voltage directive (73/23/EEC). This CLASS 1 apparatus must be connected to an AC MAIN socket outlet with a protective earthing connection.



CAUTION

**RISK OF ELECTRIC SHOCK
DO NOT OPEN**

NO USER SERVICEABLE PARTS INSIDE.

Unpacking / Placement / AC Power Guidelines

Open the shipping box and remove the top layer of foam. You will see these items:

K-300p unit and Accessories - Included

- 1 - AC power cord
- 1 - Owner's Reference
- 1 - Warranty Registration Card

Place the K-300p on a firm, level surface, away from excessive heat, humidity, or moisture. The K-300p is a precision instrument and should be handled with the utmost care. Make sure the installation location is dry and level, and able to provide adequate ventilation. The bottom of the K-300p must be unobstructed to the height of the feet to ensure proper ventilation. Do not place the K-300p on a carpeted floor. Allow a minimum of 2 inches (5cm) above the unit for proper ventilation, and at least one inch (2.54 cm) on each side. Additional ventilation may be required when the unit occupies the same space with other electronics that generate heat, like power amplifiers. Please consult an authorized KRELL dealer or KRELL Industries to ensure proper installation.

The K-300p is a high gain preamplifier. As such it may pick up unwanted noise from the power supply of another unit such as a power amplifier. This should be considered when locating the K-300p.

The K-300p is designed to work all over the world. The K-300p requires good clean power and doesn't require additional filtration.

Note:

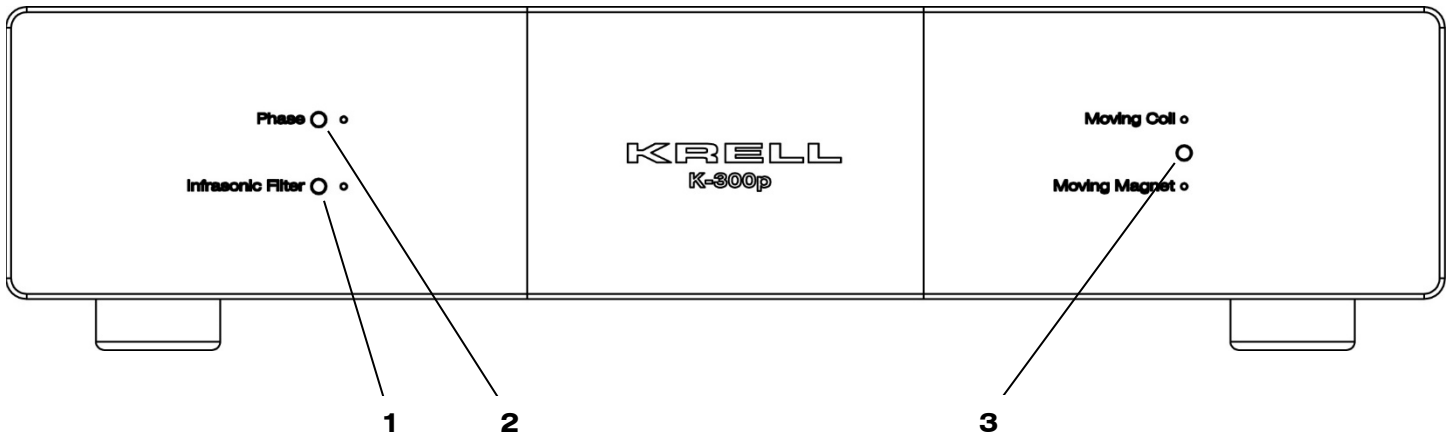
Save all packing materials; if you need to ship the K-300p in the future, repack the unit in its original packaging to prevent shipping damage.

Recommended Cleaning Instructions for Krell Products

Clean your Krell product gently, using a high quality lint-free cloth that has not been treated with chemicals of any kind. Please note the following: Do not use cleaning agents of any kind, such as alcohol, Windex, or other common cleaning products. Water may be used but **do not** spray directly onto the unit, instead a small amount may be used on a lint-free cloth to lightly rub the exterior of the unit.

Thank you.

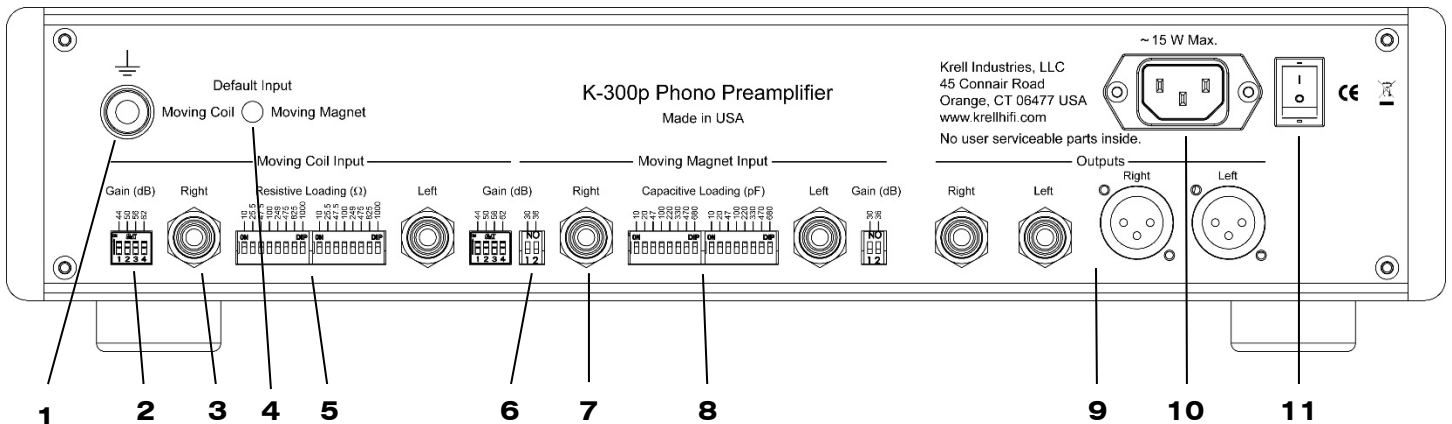
Front Panel Features



- 1) Infrasonic Filter Button
- 2) Absolute Phase Button

- 3) Input Select Button

Rear Panel Features



- 1) Ground Binding Post
- 2) Moving Coil Gain Select Switch
- 3) Moving Coil Input
- 4) Default Input Select Switch
- 5) Moving Coil Resistive Loading Switch
- 6) Moving Magnet Gain Select Switch

- 7) Moving Magnet Input
- 8) Moving Magnet Capacitive Loading Switch
- 9) Analog Audio Outputs
- 10) AC Mains Inlet
- 11) AC Mains Power Switch

Front Panel Features Description

1) Infrasonic Filter Button

Use this button to engage or disengage the infrasonic filter. The LED indicates the filter is engaged.

The infrasonic filter is a high-pass filter with a cutoff frequency of 14Hz. Engage this if there is excessive low frequency driver motion not due to the music signal.

2) Absolute Phase Button

Use this button to change the absolute phase of the analog outputs. LED off indicates 0° (no phase change from input to output). LED on indicates 180° (output phase is the inverse of input phase).

Inverting the absolute phase may improve the sound quality if the record or cartridge inverts the phase of the original recording.

3) Input Select Button

Use this button to select the moving coil or moving magnet input.

This may be used to select between two different tone arms or turntables on-the-fly.

Rear Panel Features Description

1) Ground Binding Post

Connect the ground wire from the turntable to this binding post. This connection may reduce low frequency noise due to stray pickup of the AC mains frequency.

2) Moving Coil Gain Select Switch

Choose the desired gain level by moving the associated slider to the up position, all other sliders should remain down. There are independent gain switches for each channel, set them both for the same gain level.

WARNING! Reduce the preamp volume level to minimum before changing the gain setting. Failure to do this may result in a large signal at the output and may damage the speakers.

Always start with the lowest gain setting. If the volume level in the room is too low even with the preamp volume control at maximum, increase the gain setting until the volume reaches the desired level.

3) Moving Coil Input

Connect the left and right outputs from the turntable to the left and right moving coil inputs if using a moving coil cartridge.

There are some low output moving magnet cartridges that may work better connected to the moving coil input rather than the moving magnet input.

4) Default Input Select Switch

Use this switch to choose which input is active when the K-300p is first powered on.

It may be desirable to set this switch to the input that is used most frequently if the K-300p is regularly powered off since the front panel input selection is lost when the K-300p is powered off.

5) Moving Coil Resistive Loading Switch

Choose the resistive loading per the manufacturer's recommendation for the moving coil cartridge by moving the associated slider to the up position, all other sliders should remain down. There are independent loading switches for each channel, set them both for the same value.

WARNING! Reduce the preamp volume level to minimum before changing the loading. Failure to do this may result in a large signal at the output and may damage the speakers.

6) Moving Magnet Gain Select Switch

Choose the desired gain level by moving the associated slider to the up position, all other sliders should remain down. There are independent gain switches for each channel, set them both for the same gain level.

WARNING! Reduce the preamp volume level to minimum before changing the gain setting. Failure to do this may result in a large signal at the output and may damage the speakers.

Always start with the lowest gain setting. If the volume level in the room is too low even with the preamp volume control at maximum, increase the gain setting until the volume reaches the desired level.

7) Moving Magnet Input

Connect the left and right outputs from the turntable to the left and right moving magnet inputs if using a moving magnet cartridge.

8) Moving Magnet Capacitive Loading Switch

Choose the capacitive loading per the manufacturer's recommendation for the moving magnet cartridge by moving the associated slider to the up position, all other sliders should remain down. There are independent loading switches for each channel, set them both for the same value.

9) Analog Audio Outputs

Connect the appropriate audio output to the corresponding audio input on the preamp. The balanced outputs are wired as follows; pin 1 is ground, pin 2 is non-inverting (+), and pin 3 is inverting (-).

10) AC Mains Inlet

IEC 320 inlet for connection to an AC mains outlet.

11) AC Mains Power Switch

Set the switch to position "1" to power on the K-300p.

Specifications

Features

- Separate MC and MM inputs, on-the-fly selectable
- Adjustable resistive loading for MC input: 10, 25, 47, 100, 249, 470, 825, 1k ohms (47k default)
- Adjustable capacitive loading for MM input: 10, 20, 47, 100, 220, 330, 470, 680 pF (0 pF default)
- Adjustable gain for MC input: 62, 56, 50, 44 dB
- Adjustable gain for MM input: 36, 30 dB
- Selectable infrasonic filter (14Hz)
- Selectable absolute phase

Inputs

2 pr. single-ended via RCA connectors

Outputs

1 pr. single-ended via RCA connectors

1 pr. balanced via XLR connectors

RIAA accuracy

+/- 0.2dB

Signal-to-noise ratio

MC input 62dB gain: 63dB (re:1V out, un-wtd. 20Hz-20kHz)

MC input 62dB gain: 77dB (re:1V out, "A" wtd.)

MM input 36dB gain: 75dB (re:1V out, un-wtd. 20Hz-20kHz)

MM input 36dB gain: 87dB (re:1V out, "A" wtd.)

Input Overload

MC input 62dB gain: 3.4mV

MM input 36dB gain: 23mV

Total harmonic distortion

MC input 62dB gain: 0.08% (1kHz, 1V out)

MM input 36dB gain: 0.06% (1kHz, 1V out)

Power consumption

Maximum: 15 W

Dimensions

17.25 in W x 4.12 in H x 11.90 in D

438 mm W x 105 mm H x 302 mm D

Weight

Unit only: 10 lb [4.5 kg]

As shipped: 15 lb [6.8 kg]

Specifications subject to change without notice.

Warranty

This Krell product has a limited warranty of **three years** for parts and labor on circuitry from the date of purchase extended to **five years** with submission of the Warranty Registration Card either online at our website, or by mail within **60 days** of purchase.

Should this product fail to perform at any time during the warranty, Krell will repair it at no cost to the owner, except as set forth in this warranty. The warranty does not apply to damage caused by acts of nature.

The warranty on this page shall be in lieu of any other warranty, expressed or implied, including, but not limited to, any implied warranty of merchantability or fitness for a particular purpose. There are no warranties which exceed beyond those described in this document. If this product does not perform as warranted herein, the owner's sole remedy shall be repair. In no event will Krell be liable for incidental or consequential damages arising from purchase, use, or inability to use this product, even if Krell has been advised of the possibility of such damages.

Proof of purchase in the form of a bill of sale or receipted invoice substantiating that the unit is within the warranty period must be presented to obtain warranty service. The warranty begins on the date of retail purchase, as noted on the bill of sale or receipted invoice from an authorized Krell dealer or distributor.

The warranty for Krell products is valid only in the country to which they were originally shipped, through the authorized Krell distributor for that country, and at the factory. There may be restrictions on or changes to Krell's warranty because of regulations within a specific country. Please check with your distributor for a complete understanding of the warranty in your country.

If a unit is serviced by a distributor who did not import the unit, there may be a charge for service, even if the product is within the warranty period.

Freight to the factory is your responsibility. Return freight within the United States (U.S.A.) is included in the warranty. If you have purchased your Krell product outside the U.S.A. and wish to have it serviced at the factory, all freight and associated charges to the factory are your responsibility. Krell will pay return freight to the U.S.A.-based freight forwarder of your choice. Freight and other charges to ship the unit from the freight forwarder to you are also your responsibility.

Krell is not responsible for any damage incurred in transit. Krell will file claims for damages as necessary for units damaged in transit to the factory. You are responsible for filing claims for shipping damages during the return shipment.

Krell does not supply replacement parts and/or products to the owner of the unit. Replacement parts and/or products will be furnished only to the distributor performing service on this unit on an exchange basis only; any parts and/or products returned to Krell for exchange become the property of Krell.

No expressed or implied warranty is made for any Krell product damaged by accident, abuse, misuse, natural or personal disaster, or unauthorized modification.

Any unauthorized voltage conversion, disassembly, component replacement, perforation of chassis, updates, or modifications performed to the unit will void the warranty.

The operating voltage of this unit is determined by the factory and can only be changed by an authorized Krell distributor or at the factory. The voltage for this product in the U.S.A. cannot be changed until six months from the original purchase date.

In the event that Krell receives a product for warranty service that has been modified in any way without Krell authorization, all warranties on that product will be void. The product will be returned to original factory layout specifications at the customer's expense before it is repaired. All repairs required after the product has been returned to original factory specifications will be charged to the customer, at current parts and labor rates.

All operational features, functions, and specifications and policies are subject to change.

Service

Return Authorization Procedure

If you believe there is a problem with your component, please contact your dealer, distributor, or the Krell factory to discuss the problem before you return the component for repair. To expedite service, you may wish to complete the **Service Request Form** under the **Support** section of our website at: **www.krellhifi.com**.

To return a product to Krell, please follow this procedure so that we may serve you better:

1. Obtain a Return Authorization Number (R/A number) and shipping address from the Krell Service Department.
2. Insure and accept all liability for loss or damage to the product during shipment to the Krell factory and ensure all freight (shipping) charges are prepaid.
3. The product may also be hand delivered if arrangements with the Service Department have been made in advance. Proof of purchase will be required for warranty validation at the time of hand delivery.

NOTE: Use the original packaging to ensure the safe transit of the product to the factory, dealer, or distributor. Krell may, at its discretion, return a product in new packaging and bill the owner for such packaging if the product received by Krell was boxed in nonstandard packaging or if the original packaging was so damaged that it was unusable. If Krell determines that new packaging is required, the owner will be notified before the product is returned.

To purchase additional packaging, please contact your authorized Krell dealer, distributor, or the Krell Service Department for assistance.

To Contact the Krell Service Department:

Telephone: 203-298-4020 Monday-Friday, 8:30am to 5:00pm EST

Fax: 203-799-9796

E-Mail: service@krellhifi.com

<https://www.krellhifi.com>