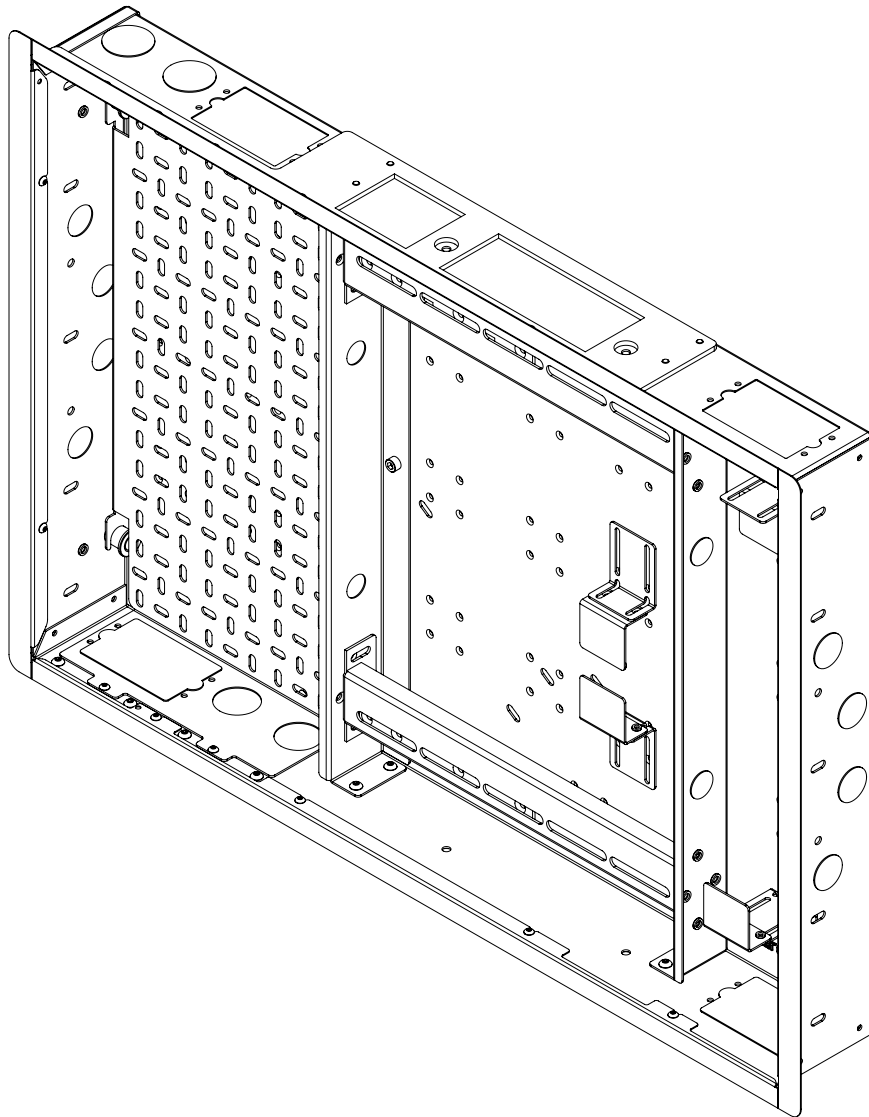




future automation

# WB21/26/31-2S

TWIN STUD IN WALL MOUNTING BOXES FOR PS BRACKETS



## INSTALLATION INSTRUCTIONS

ISSUE 002



# SAFETY DISCLAIMER

## IMPORTANT SAFETY INSTRUCTIONS BELOW

**WARNING:** Failure to provide adequate structural strengthening, prior to installation can result in serious personal injury or damage to the equipment. It is the installer's responsibility to ensure the structure to which the component is affixed can support four times the weight of the component and any additional apparatus mounted to the component.

**WARNING:** Do not exceed the weight capacity for this product as listed below. This can result in serious personal injury or damage to the equipment. It is the installer's responsibility to ensure that the total combined weight of all attached components does not exceed that of the maximum figure stated.

**WARNING:** Risk of death or serious injury may occur when children climb on audio and/or video equipment or furniture. A remote control or toys placed on the furnishing may encourage a child to climb on the furnishing and as a result the furnishing may tip over on to the child.

**WARNING:** Risk of death or serious injury may occur. Relocating audio and/or video equipment to furniture not specifically designed to support audio and/or video equipment may result in death or serious injury due to the furnishing collapsing or over turning onto a child or adult.



**WARNING – RISK OF INJURY!**



Only for use with equipment weighing **132LBS (60KG) OR LESS.**

Use with heavier projectors/equipment may lead to instability causing tip over or failure resulting in death or serious injury.

Bracket Suitable for Residential and Commercial Use.

### ADDITIONAL WARNINGS:

1. Keep all documentation/instructions after fitting.
2. Read all technical instructions fully before installation and use. It is the installer's responsibility to ensure that all documentation is passed on to the end user and read fully before operation.
3. Do not use near water or outdoors unless the product has been specifically designed to do so.
4. Protect any cables or cords being used near this bracket from being walked on or pinched to prevent damage and risk of injury.
5. Use this product only for its intended purpose as described in the product instructions and only use attachments/accessories specified by the manufacturer.
6. Do not operate the product if it is damaged in any way, liquid has been spilled or objects have fallen into the apparatus, the apparatus has been exposed to rain or moisture, does not operate normally, or has been dropped. Contact the original installer/manufacturer to arrange repair or return.

### WARNING - To reduce the risk of burns, fire, electric shock, or injury to persons:

1. Clean only with a dry cloth and always unplug any electrical items being used in conjunction with this product before cleaning.

Future Sound & Vision trading as Future Automation intend to make this and all documentation as accurate as possible. However, Future Automation makes no claim that the information contained herein covers all details, conditions or variations, nor does it provide for every possible contingency in connection with the installation or use of this product. The information contained in this document is subject to change without prior notice or obligation of any kind. Future Automation makes no representation of warranty, expressed or implied, regarding the information contained herein. Future Automation assumes no responsibility for accuracy, completeness or sufficiency of the information contained in this document.

# PRODUCT WARRANTY & RISK ASSESSMENT

## WARRANTY INFORMATION

**WARNING - The warranty offered for this product shall be annulled if the product is used improperly or in a way that is in breach of our Terms of Service.**

Future Automation provides warranty for the mechanism you purchased for the period of **24 months** from the date of purchase, provided that it isn't used for unintended purposes.

Under the warranty, Future Automation aims to either solve the issue remotely (via telephone or email support) or if the mechanism requires a part, arrange a visit to your premises by a Future Automation approved engineer or send replacement items where appropriate.

Warranty repairs will be carried out as quickly as possible, but subject to parts availability. This warranty period is respectively extended for the period of a repair.

A malfunctioning product must be cleaned and placed into suitable packaging to protect against transit damage before organising delivery to a repair workshop.

All the complaints about defects must be submitted to the vendor/installer that sold this product, rather than directly to the manufacturer.

Any part of your system that needs to be replaced during a warranty repair becomes the property of Future Automation.

### **The warranty does not cover the following:**

- Damages resulting from improper product use or maintenance.
- Repairs carried out by unauthorized persons.
- Natural wear and tear during operation.
- Damages caused by the buyer.
- Accidental damages caused by a customer or damages caused as a result of careless attitude or usage, or damages caused by natural disasters (natural phenomena).
- Any electrical, or other environmental work external to your Future Automation mechanism including power cuts, surges etc.
- Additional items not supplied by Future Automation although they may have been supplied together by the retailer
- Any 3rd party software products controlling your mechanism
- Any transfer of ownership. Warranty is provided only to the initial purchaser.
- Compensation for loss of use of the product, and consequential loss of any kind.

A separate Safety and Servicing Information document is provided with these instructions (additional copies can be found at [www.futureautomation.co.uk/safety](http://www.futureautomation.co.uk/safety)), and this document **MUST** be filled out by the approved Future Automation Dealer who is installing the product. This Warranty Sheet must be held by the end user for the duration of the products life and will be referred to during servicing or warranty queries.

The Safety and Servicing Information document also contains two Service History Forms that must be filled in by the approved Future Automation dealer who is performing the first required yearly service of this product.

**One copy of the Service History Form must be held by the customer (along with the Warranty Sheet) and a duplicate copy must be held by the approved Future Automation dealer that performed the service. Missing and/or mismatching documents may delay or invalidate warranty claims.**

Additional Service History Forms can be found on the Future Automation website for further yearly services.

## RISK ASSESSMENT INFORMATION

It is the installer's responsibility to perform a risk assessment of installed products. Future Automation can provide guidelines to installers/dealer about what should be included in a risk assessment, but due to the individual nuances of each location/site, Future Automation cannot provide a full list of areas to risk assess.

For full risk assessment and safety information please view our Safety and Servicing guide available at [www.futureautomation.net/safety](http://www.futureautomation.net/safety)

# GUIDE

## CONTENTS

SAFETY DISCLAIMER	1
PRODUCT WARRANTY & RISK ASSESSMENT	2
GUIDE CONTENTS	3
PACKAGE CONTENTS	4
UNBOXING THE WALL BOX	5
RECESSING THE WALL BOX	6
RECESSING THE WALL BOX CONT.	7
CABLE ENTRY & SOCKET FIXING	8
ACCESSORY MOUNTING	9
ACCESSORY MOUNTING CONT.	10
PREPARE BRACKET MOUNT RAILS	11
BRACKET MOUNT RAIL FITTING	12
PS BRACKET MOUNTING	13
WALL BOX TRIM FITTING	14
BRACKET COMPATIBILITY	15
BRACKET COMPATIBILITY CONT.	16

# PACKAGE CONTENTS

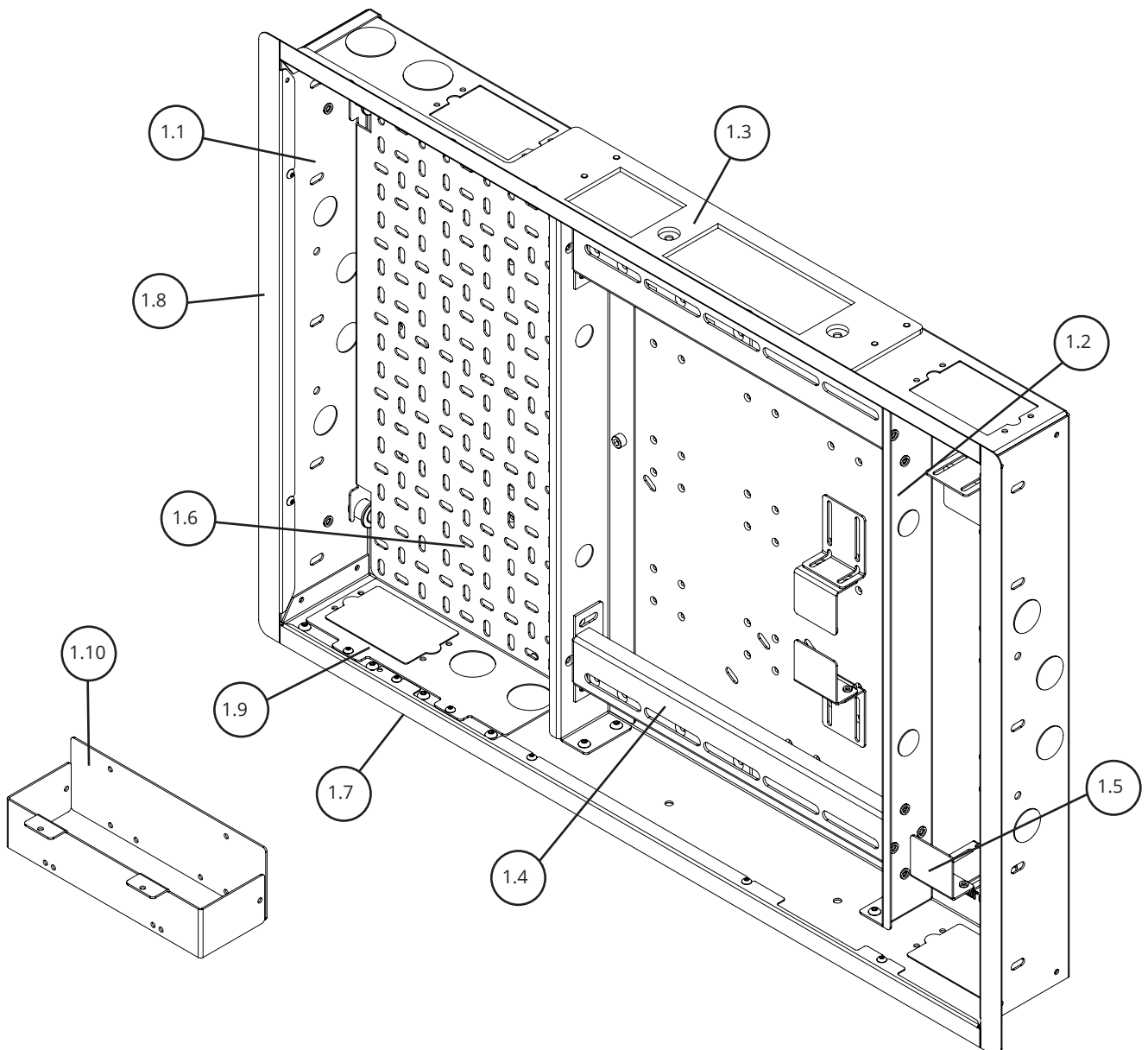
## 1 - WALL BOX KIT

- 1.1 - IN-WALL BOX
- 1.2 - MOUNT RAIL SUPPORT (X2)
- 1.3 - OUTER BRACE PLATE (X2)
- 1.4 - BRACKET MOUNT RAIL (X2)
- 1.5 - ACCESSORY CLAMP (X3 PAIRS)
- 1.6 - ACCESSORY MOUNT PLATE
- 1.7 - HORIZONTAL TRIM STRIP (X2)
- 1.8 - VERTICAL TRIM STRIP (X2)
- 1.9 - BLANKING PLATE (X2)
- 1.10 - WATTBOX MOUNT KIT

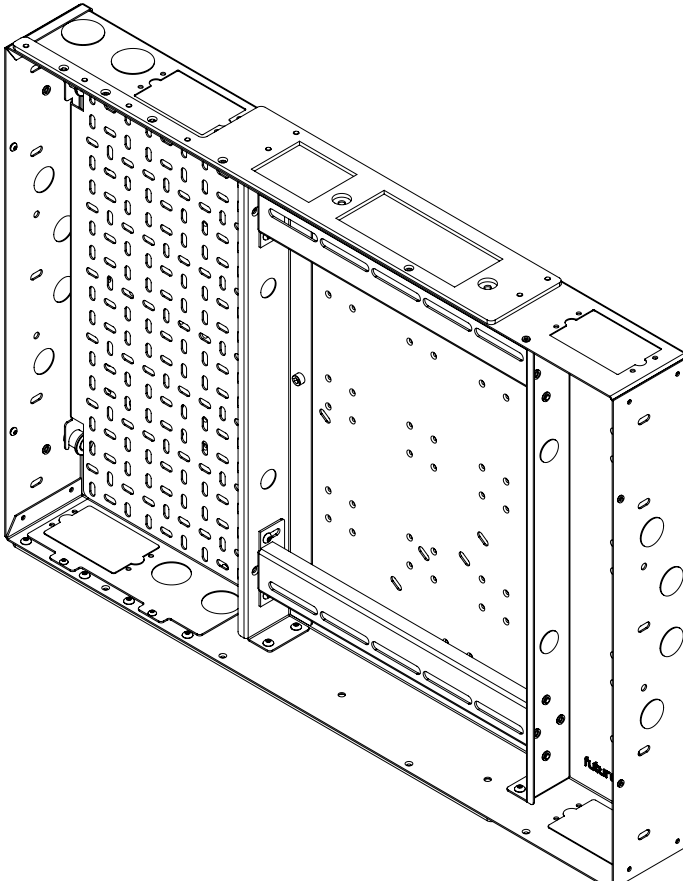
## ITEMS NOT SHOWN ON PAGE

WALL BOX FIXINGS PACKS:

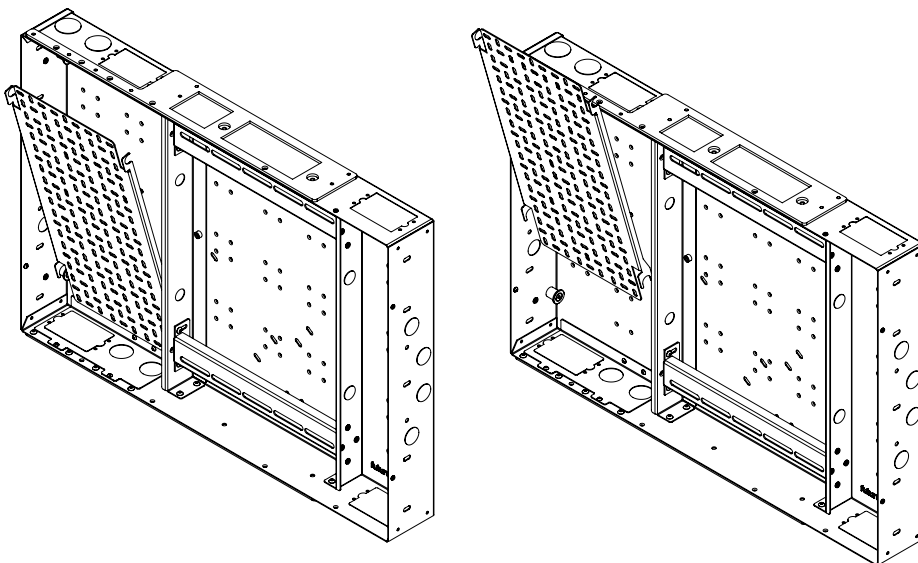
- BRACKET MOUNTING PACK (MULTI-PACK OF NUTS, BOLTS AND WASHERS)
- WALL BOX MOUNTING SCREWS (X6)



# UNBOXING THE WALL BOX



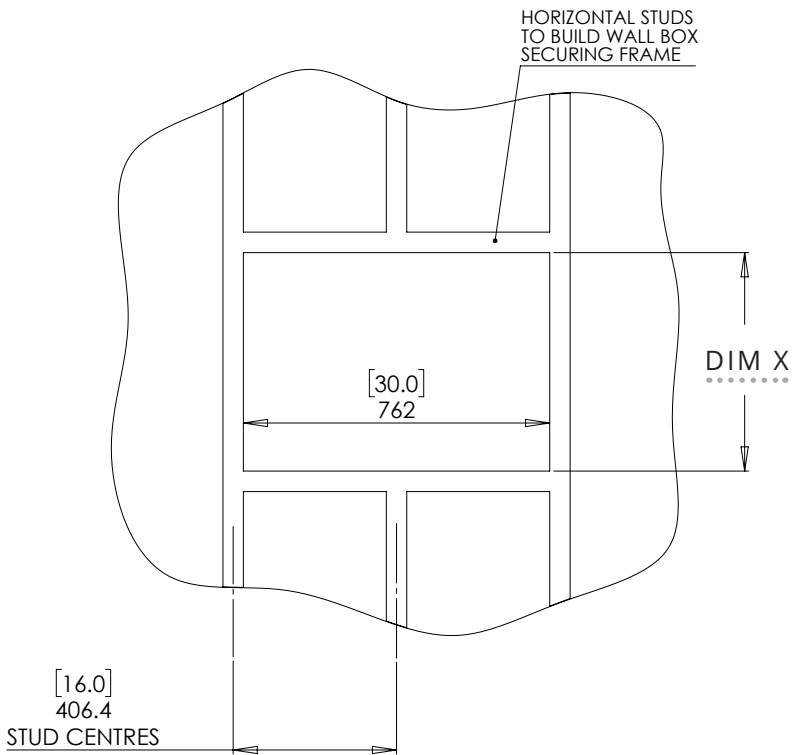
- Cut all RED cable ties and remove loose component parts.
- Remove the Accessory Mount Plate by pulling forward at the top edge, then lift vertically.



**NOTE: WALL BOXES ARE SYMETRICAL, ACCESSORY MOUNT PLATE COULD BE MOUNTED UPSIDE DOWN. IF SO, PULL BOTTOM EDGE**

# RECESSING THE WALL BOX

## 1



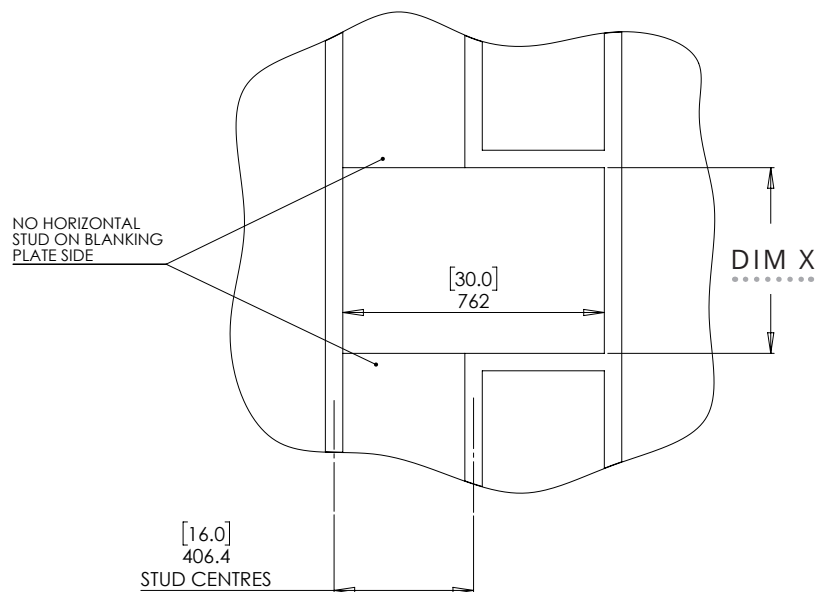
- The WB-2S is designed to be recessed into a wall and secured between stud work.
- For secure fixing the Wall Box should be fixed to both horizontal and vertical studs with centres no greater than 406mm (16.0") apart.
- The recommended cut out width for the wall box = 762mm [30.0"], with the cutout height = DIM X

WB21-2S DIM X = 541mm [21.3"]  
 WB26-2S DIM X = 661mm [26.3"]  
 WB31-2S DIM X = 788mm [31.0"]

**NOTE: THE DEPTH OF THE CUT OUT MUST BE MINIMUM 101.6MM [4.0"].**

## 2

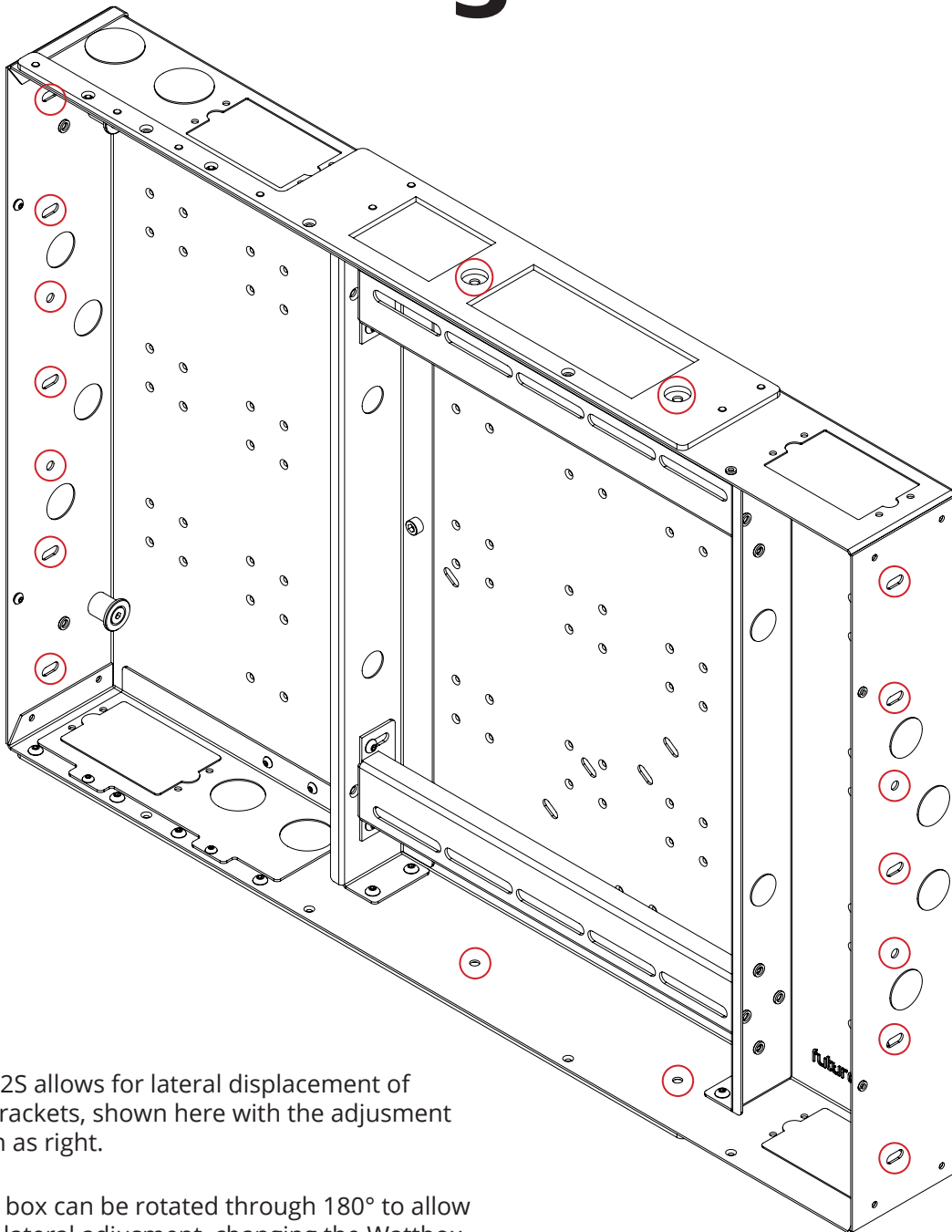
- If a Wattbox or other mounting accessory is replacing the blanking plate, the horizontal joists will need to be cut to half width covering one stud width





# RECESSING THE WALL BOX CONT.

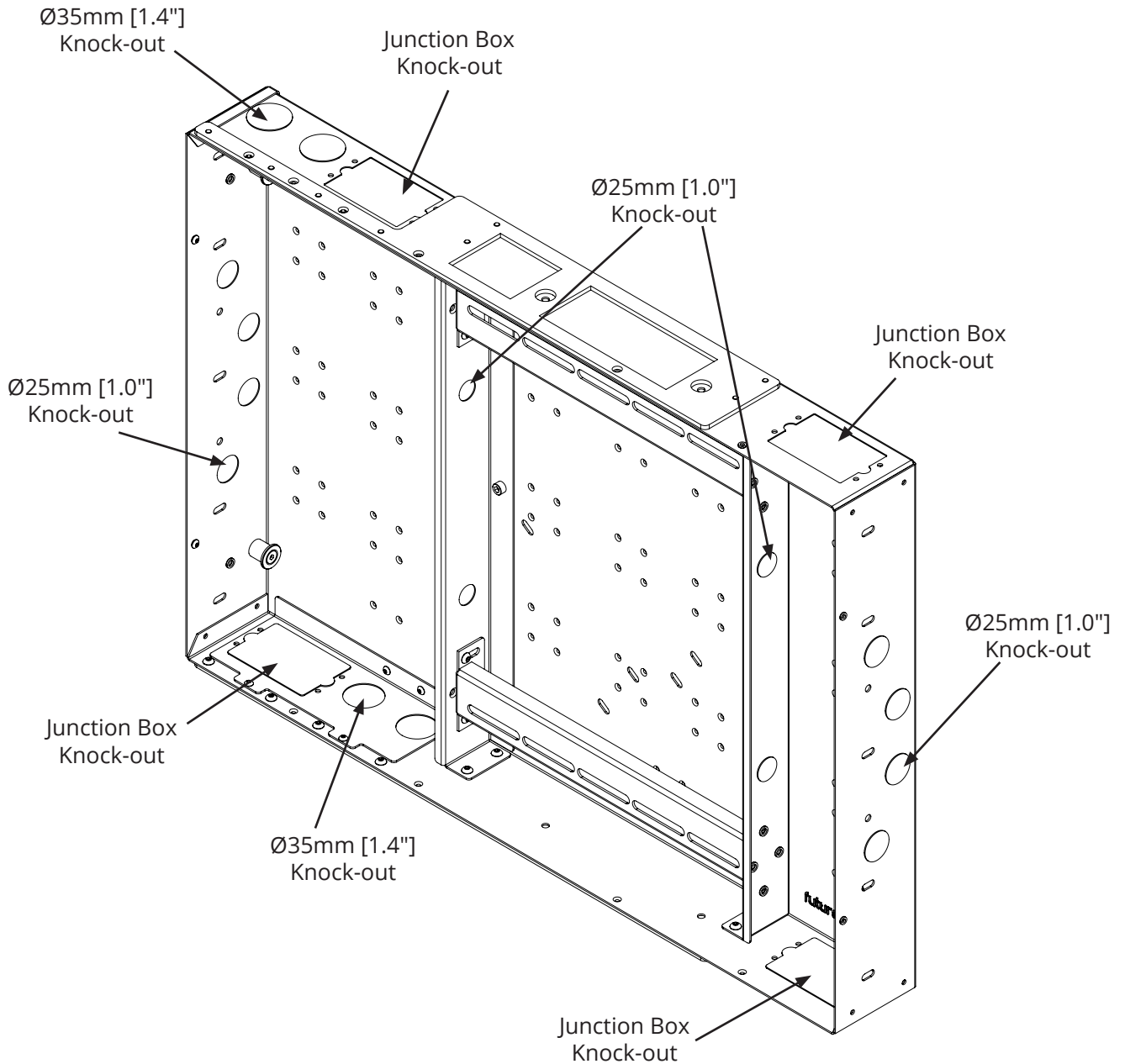
## 3



- The WB-2S allows for lateral displacement of the PS brackets, shown here with the adjustment direction as right.
- The wall box can be rotated through 180° to allow for LEFT lateral adjustment, changing the Wattbox cutout to the right side of the box.
- The WB-2S should be inserted into the wall cut out from the front, then secured to the surrounding studs using the 40mm pozi head wood screws provided through the Ø6.5mm [0.25"] fixing holes circled below.

**NOTE: THE SCREWS SUPPLIED ARE ONLY SUITABLE FOR FIXING INTO WOODEN STUDS. IT IS THE RESPONSIBILITY OF THE INSTALLER TO USE FIXING SUITABLE FOR THE MATERIAL OF THE STRUCTURE BEING MOUNTED TO**

# CABLE ENTRY & SOCKET FIXING



## 1

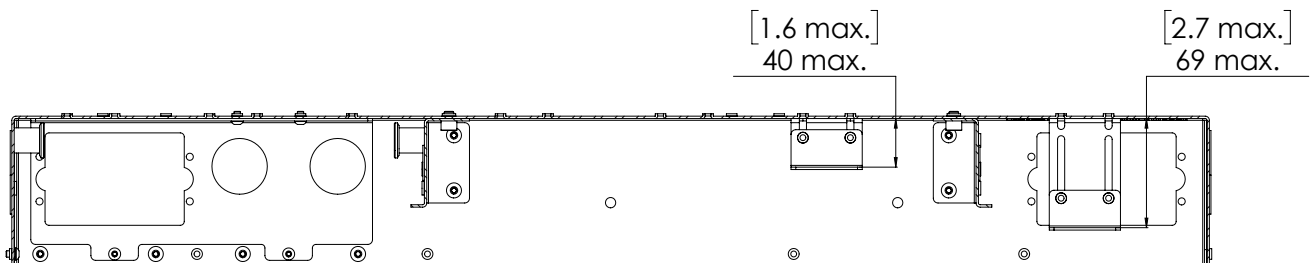
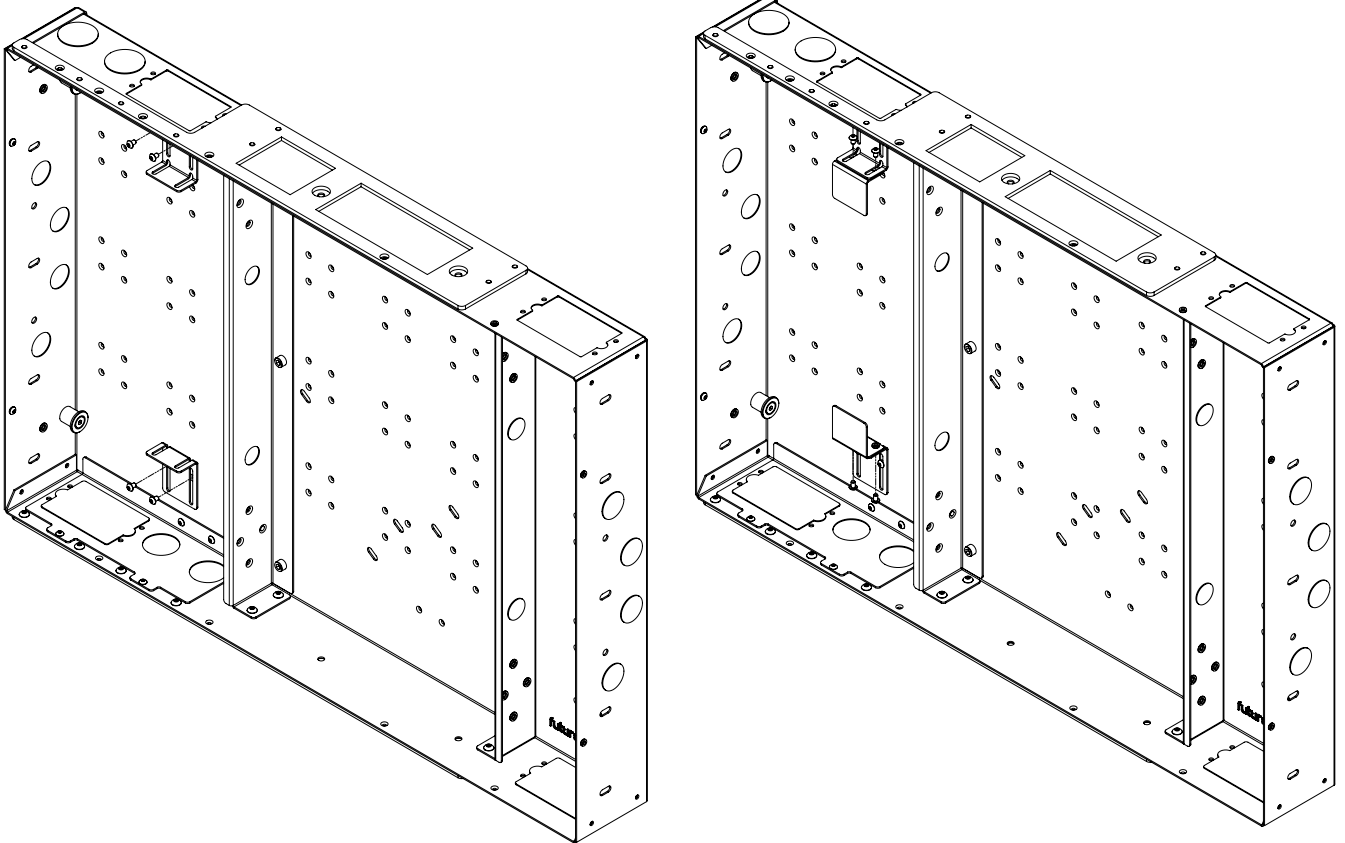
All Wall Boxes feature knock-outs at the top, bottom and sides that can be removed to allow for cable entry/exit. The positions of these are identified below.

**NOTE: WHERE POSSIBLE CABLES SHOULD ENTER AT THE TOP OF THE WALL BOX AS CABLES WILL ENTER THE TOP CORNER OF ANY PS BRACKET BEING USED.**

# ACCESSORY MOUNTING

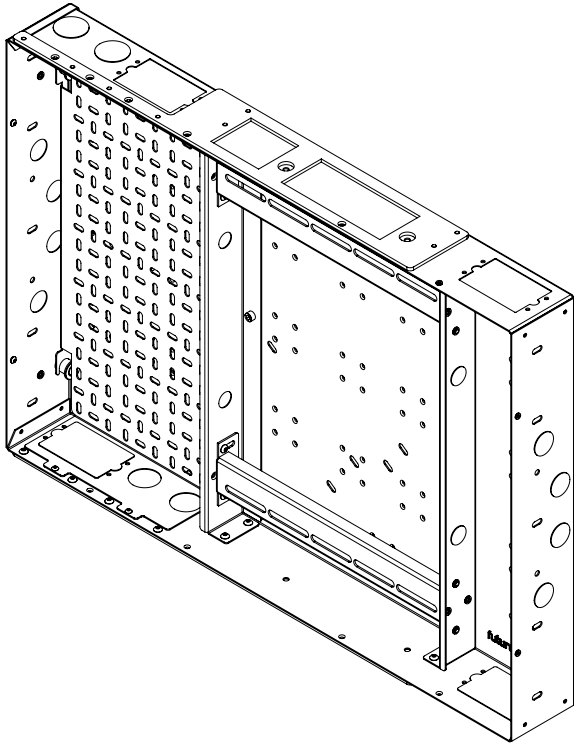
## 1

There are multiple fixing holes throughout the wall box sections. The two clamps can be bolted together and adjusted to secure various accessories. Accessories mounted in the central section must not be deeper than 38.5mm [1.5"].

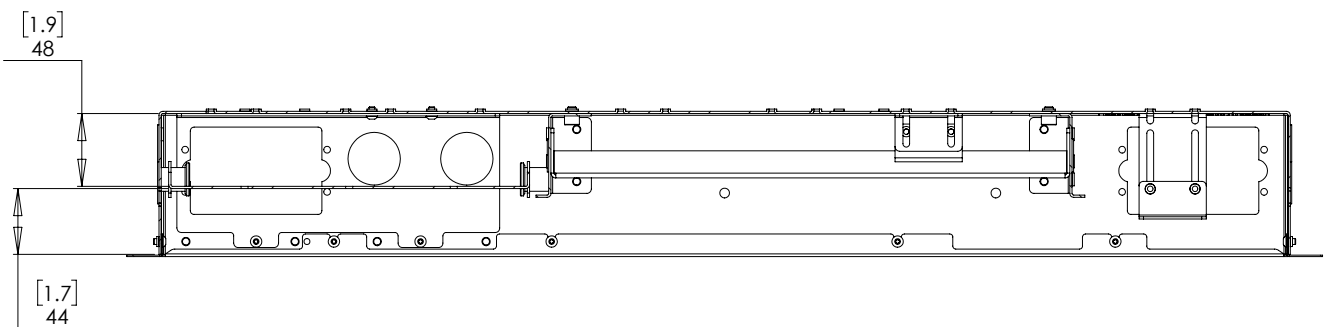
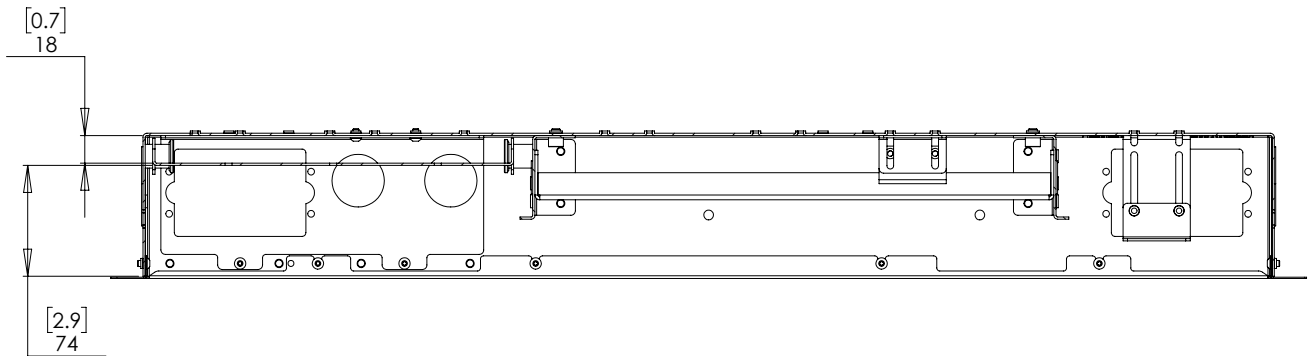


# ACCESSORY MOUNTING CONT.

## 2



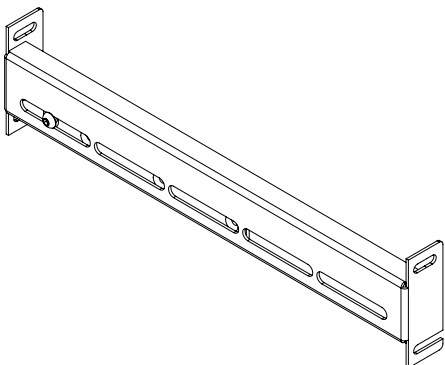
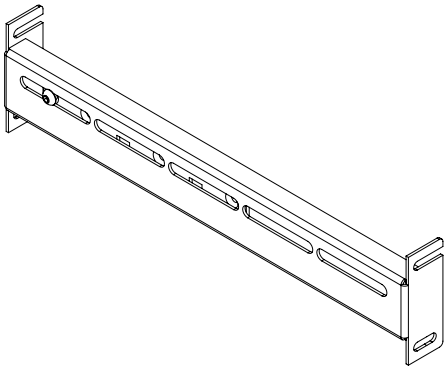
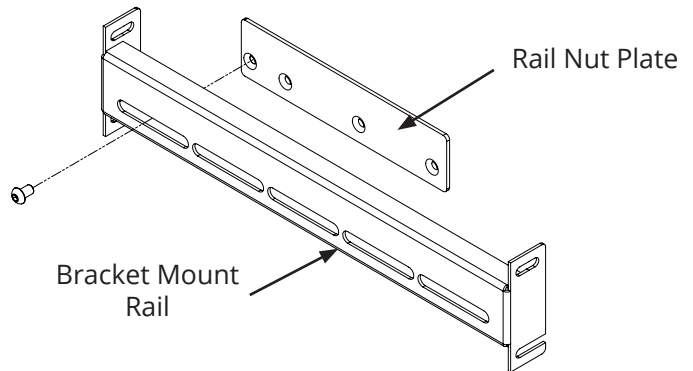
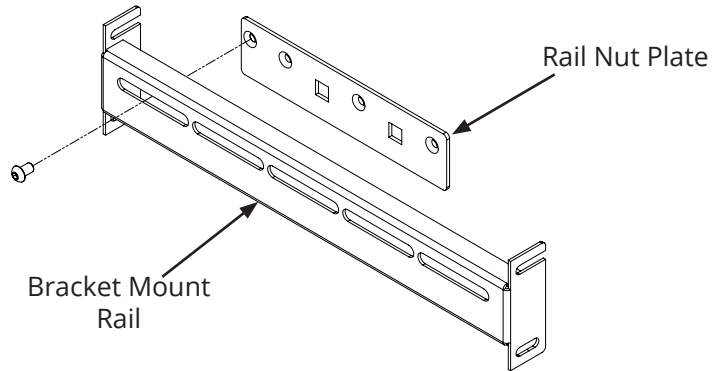
- Included Accessory Mount plate allows accessories to be mounted to both sides using cable ties, then inserted into the wall box.
- The Accessory Mount Plate has two mounting positions to allow for large accessories in front, or smaller accessories on both sides.



# PREPARE BRACKET MOUNT RAILS

## 1

Before installing the Bracket Mount Rails into the Wall Box the Rail Nut Plates should be placed behind each Mount Rail. The Nut Plate has four threaded holes into which bolts will be inserted to fix the PS Bracket to the Mount Rails.

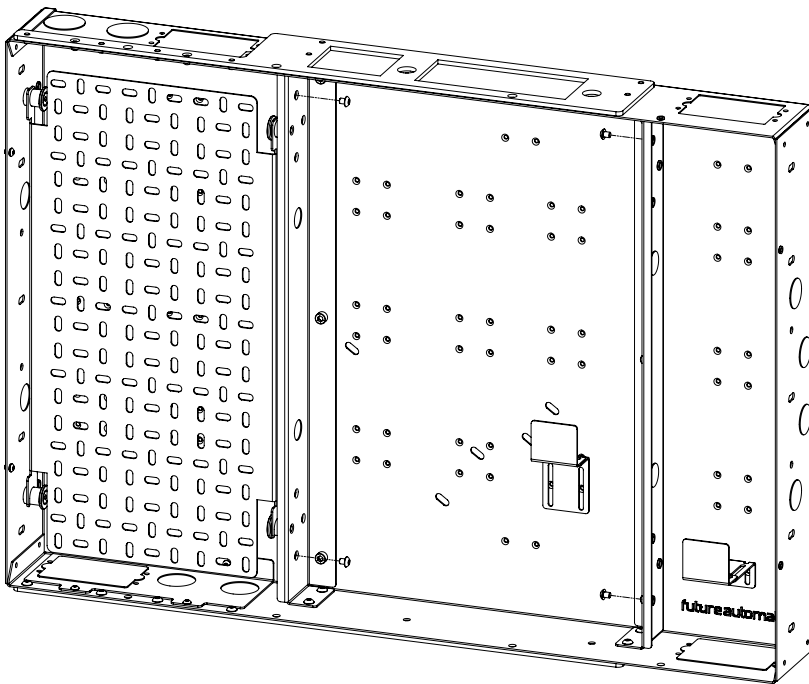


## 2

Use an M6x6mm bolt (provided) to fix into the outer most threaded hole in each Nut Plate to retain its position behind the Mount Rail. The Nut Plates can be switched between the upper and lower Mount Rails to bias the retaining bolt on the left or the right of the rail - this may be required if mounting the PS Bracket at the full lateral offset.

# BRACKET MOUNT RAIL FITTING

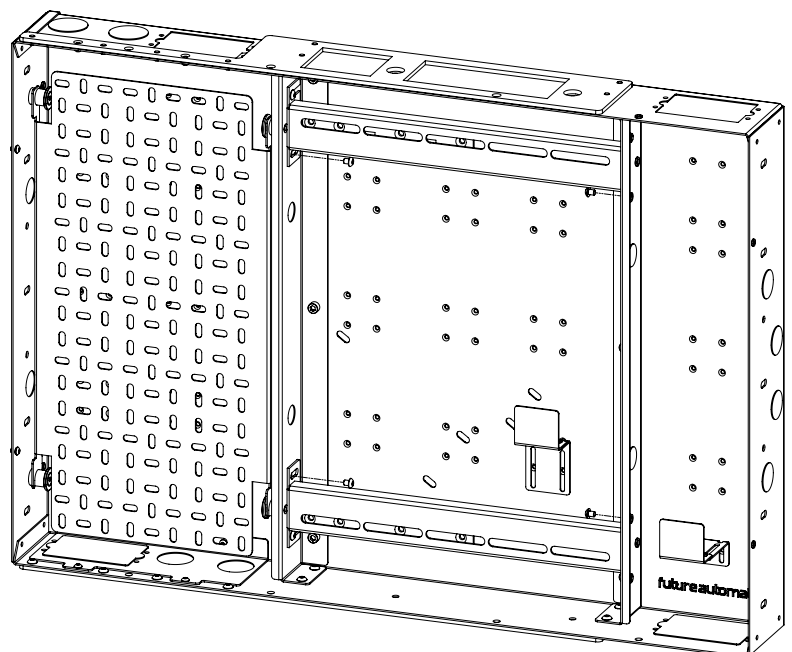
# 1



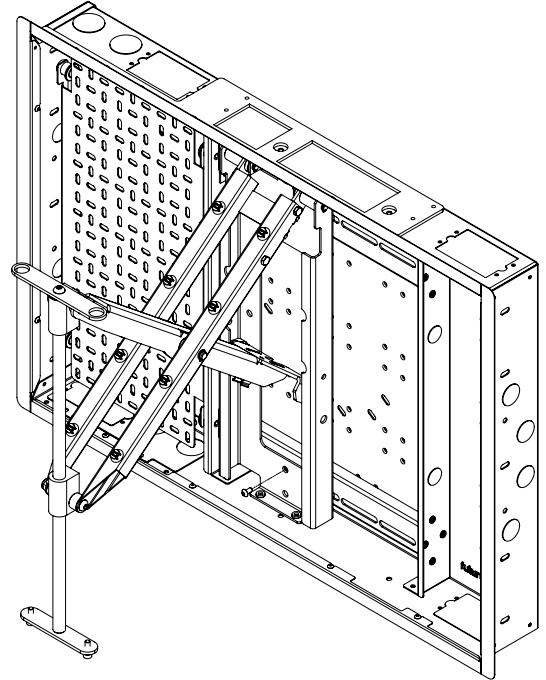
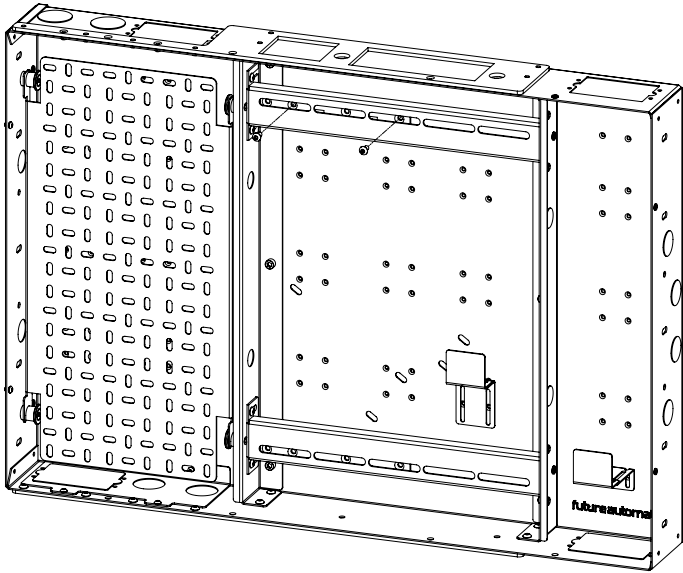
To install the Bracket Mount Rails, first insert provided M6x6mm bolts into the upper and lower threaded holes in the side of the Wall Box as shown below - do not fully tighten.

# 2

Hook the Bracket Mount Rail onto the M6 bolts before inserting further M6x6mm bolts through the in-board slots. Ensure all four bolts in each Bracket Mount Rail are fully tightened.

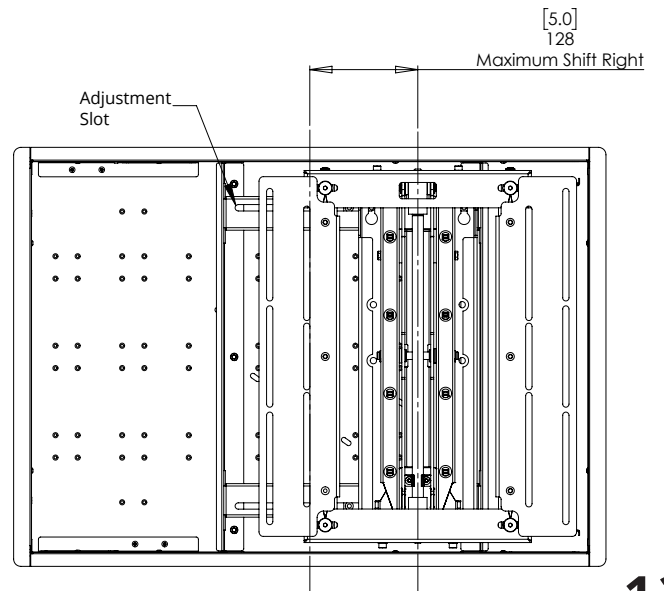
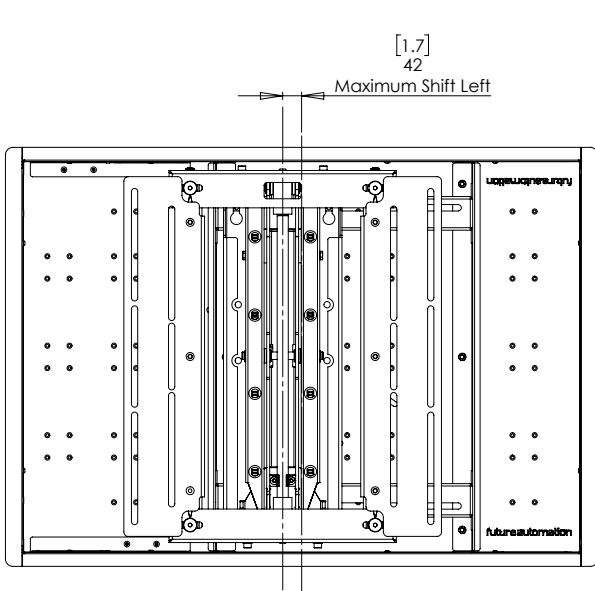


# PS BRACKET MOUNTING

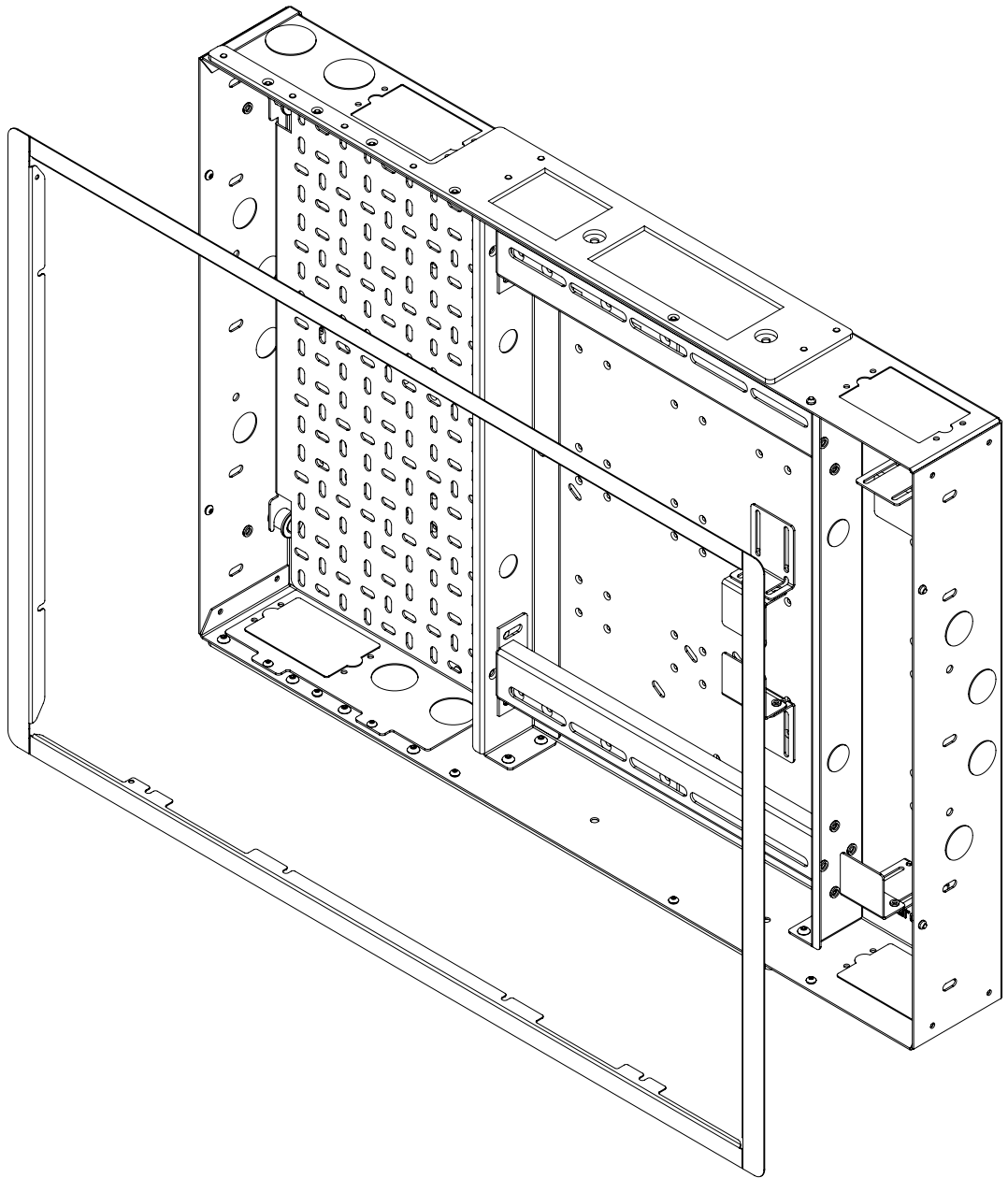


The larger shift side can be to the left or right depending on wall box orientation. Rotate the wall box 180° to determine shift direction.

Shown below with the Future Automation Logo and shift to the right.



# WALL BOX TRIM FITTING

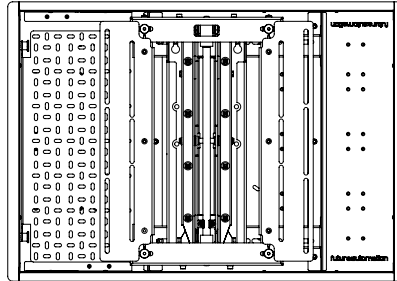


- Each Trim Strip will have notches that align with threaded holes on the inside edges of the Wall Box. Align the notches in each Trim Strip with the corresponding threaded holes and fix in place using the 12 x black M4x6mm bolts provided.
- Each Wall Box is shipped complete with 2 x Horizontal Trim Strips and 2 x Vertical Trim Strips to cover the edges of the wall recess when fitting into a plasterboard/ sheet rock wall.

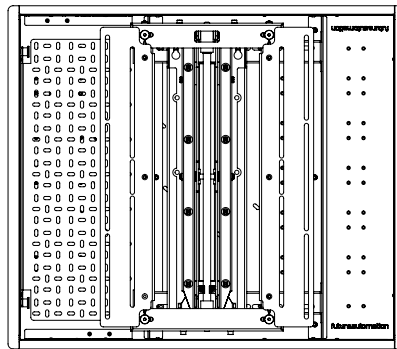


# BRACKET COMPATIBILITY

**WB21-2S + PS40**

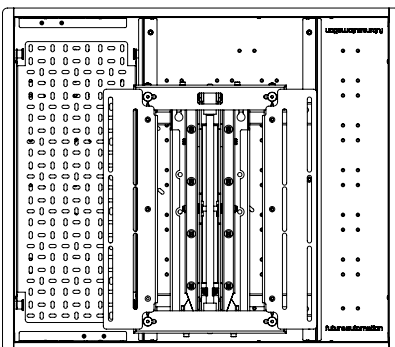


**WB26-2S + PS55**

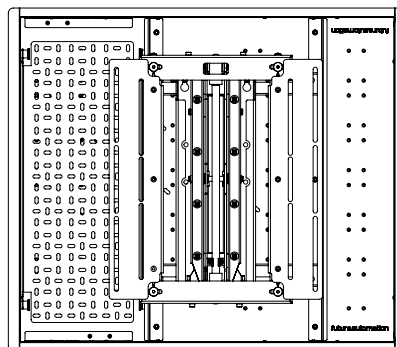


**WB26-2S + PS40**

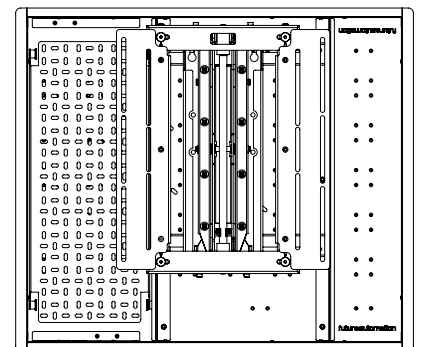
**LOW**



**CENTER**

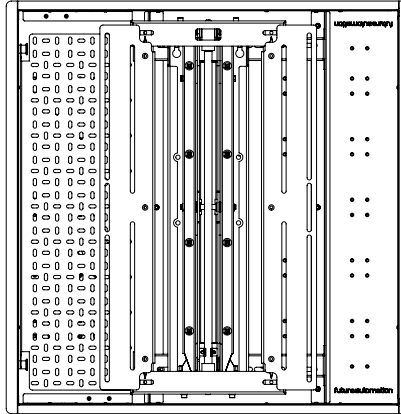


**HIGH**



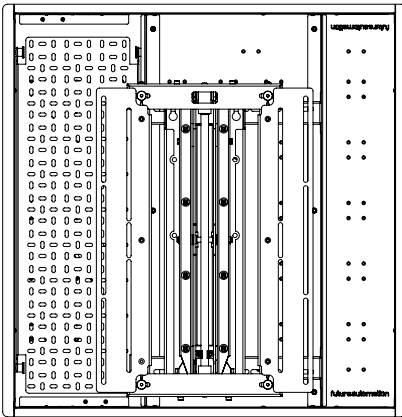
# BRACKET COMPATIBILITY CONT.

## WB31-2S + PS65

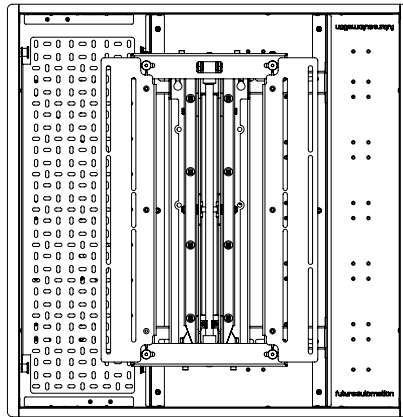


## WB31-2S + PS55

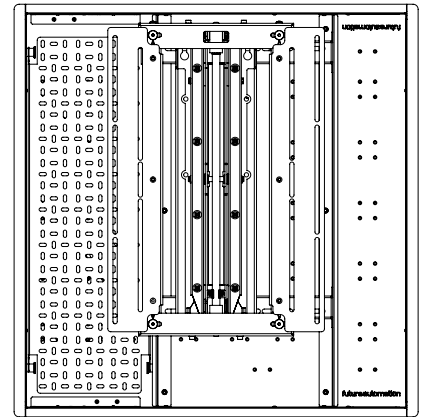
LOW



CENTER

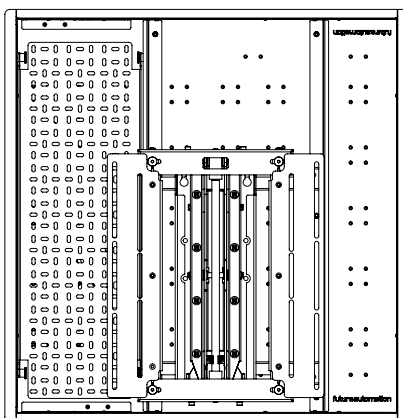


HIGH

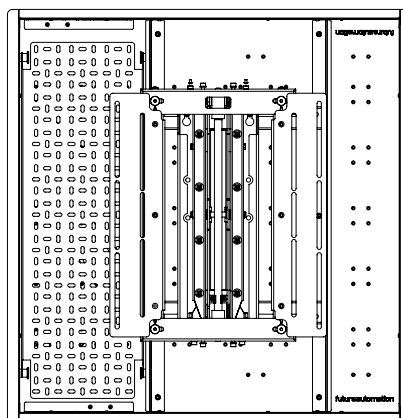


## WB31-2S + PS40

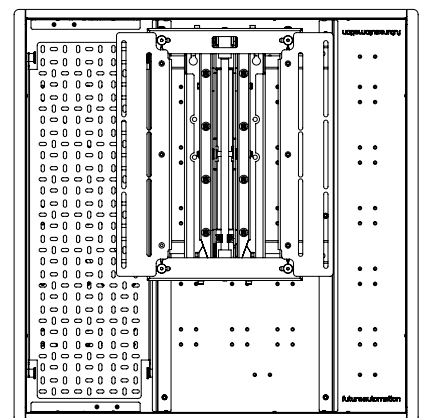
LOW



CENTER



HIGH



# NOTES

A series of horizontal dotted lines for writing notes.



#### **EUROPEAN OFFICE**

**Address:**  
Unit 6-8  
Brunel Road  
Bedford  
Bedfordshire  
MK41 9TG

**Phone:** +44 (0) 1438 833577  
**Email:** [info@futureautomation.co.uk](mailto:info@futureautomation.co.uk)

**Office Hours:**  
Mon - Fri 8:00 to 17:30 GMT  
Saturday & Sunday - Closed

#### **NORTH AMERICAN OFFICE**

**Address:**  
Enterprise Park  
127 Venture Drive  
Dover  
NH  
03820

**Phone:** +1 (603) 742 9181  
**Email:** [info@futureautomation.net](mailto:info@futureautomation.net)

**Office Hours:**  
Mon - Fri 7:00 to 17:00 EST  
Saturday & Sunday - Closed