



USM - Universal Speaker Mount - Product Overview



The USM is an add-on centre speaker bracket designed to fit any VESA compatible mount. It allows a home cinema centre speaker or sound bar to be mounted below or above a screen. Compatible with all Future Automation mounts and mechanisms, the USM is the perfect addition to any installation. With height adjustment, as well as forward and backward adjustment, a perfect finish can be created with any combination of screen and speaker.

Design Highlights

- ✓ Quick and Simple Installation
- ✓ Simple to Retrofit
- ✓ Sized to Fit Any VESA Mount Up To Vesa 400
- ✓ 6-Axis Adjustment

6-Axis Adjustment for Flush Fit



Handbuilt in the UK



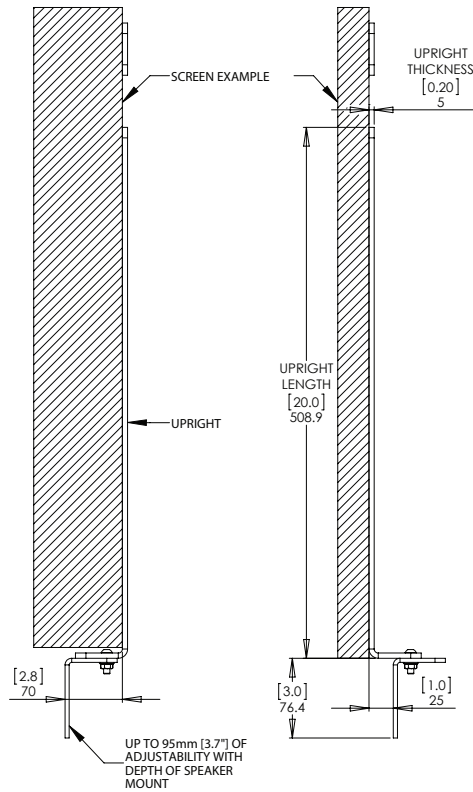
Specification

Product name	USM
Max. Speaker Weight	20kg (44lbs)
Max. VESA Spacing	VESA 400x400
Max. Depth Adjustment	95mm (3.7")
Standard Finish	Satin Black Paint (RAL 9005)



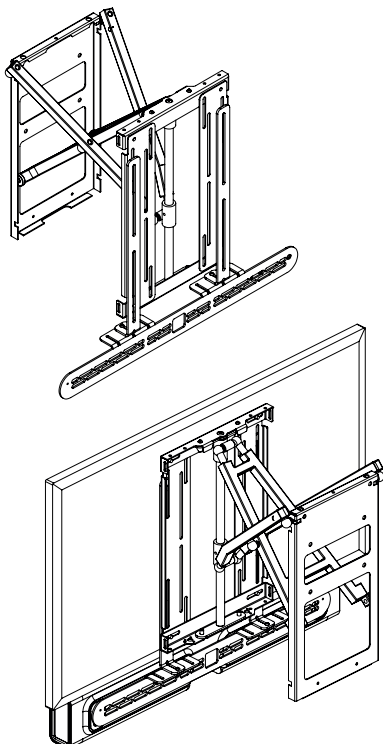
USM - Universal Speaker Mount - Product Overview

USM - Universal Speaker Mount Technical Overview



Product Configuration Examples

PS42 (PLASMA SCREEN 42" WALL MOUNT) EXAMPLE



PSE90 (PLASMA SWIVEL ELECTRIC) EXAMPLE

