

Installation Instructions

UBLS - Under Bed Lift

Design Highlights

- Near Silent Operation
- Full Cable Management
- Programmable Viewing Height
- Wide Range of Screen Mounting Options
- Innovative Design

Product Range:
From 05/2015

Thank you for choosing
futureautomation

UBLS - Under Bed Lift Swivel



Caution
Warning



Beware of
Moving Parts



Danger
Electricity



Keep Hands
Clear

Safety Disclaimer

Important Safety Instructions

Explanation of graphical symbols

-(Electric Shock Symbol) = The lightning flash within an equilateral triangle is intended to alert you to the presence of un-insulated "dangerous voltage" within the products enclosure that may be of sufficient magnitude to constitute an electric shock to persons

-(Caution Symbol) = The exclamation point within an equilateral triangle is intended to alert you to the presence of important operating and maintenance (servicing) instructions in the literature accompanying the product

-(Tools Symbols) = The tools symbol within a coloured square are intended to highlight the required tools necessary for correct and safe installation of the product. These are intended as a guide only, and it is at the installer's discretion as to which tools are used.

WARNING: RISK OF ELECTRIC SHOCK, ONLY AUTHORIZED INSTALLERS TO OPEN THE POWER CONTROL BOX.

WARNING: To reduce the risk of fire or electric shock, do not expose electrical parts to rain or moisture, unless the product has been specifically designed to do so.

WARNING: Failure to provide adequate structural strengthening, prior to installation can result in serious personal injury or damage to the equipment. It is the installer's responsibility to ensure the structure to which the component is affixed can support the four times the weight of the component.

WARNING: Do not exceed the weight capacity. This can result in serious personal injury or damage to the equipment. It is the installer's responsibility to ensure that the total combined weight of all attached components does not exceed that of the maximum figure stated.

WARNING: Failure to provide adequate structural strength for this component can result in serious personal injury or damage to equipment! It is the installer's responsibility to make sure the structure to which this component is attached can support five times the combined weight of all equipment. Reinforce the structure as required before installing the component.

Warnings:

1. Read all technical instructions fully before installation and use. It is the installer's responsibility to ensure that all documentation is passed on the end user and read fully before operation.
2. Keep all documentation.
3. Heed all warnings.
4. Follow all technical specifications and instructions during installation.
5. Do not use near water unless the product has been specifically designed to do so.
6. Clean only with a dry cloth.
7. Do not defeat the purpose of the polarized or grounding type plug. A polarized plug has two blades, one wider than the other. A grounding type plug has two blades and a grounding prong. The wide blade or third prong are provided for your safety. If the provided plug does not fit your outlet, consult an electrician or contact the manufacturer.
8. Protect the power cord from being walked on or pinched, particularly at plugs, convenience receptacles, and the point where the exit from the apparatus.
9. Unplug the apparatus during lightning storms or when unused for long periods of time.
10. Only use attachments/accessories specified by the manufacturer.
11. Refer all servicing to qualified personnel. Servicing is required regularly on an annual basis, when the apparatus is damaged in any way, liquid has been spilled or objects have fallen into the apparatus, the apparatus has been exposed to rain or moisture, does not operate normally, or has been dropped.
12. To completely disconnect the apparatus from the AC mains, disconnect the power cord plug from the AC receptacle on the power control box.
13. To prevent overheating, do not cover the apparatus. Install in accordance with the instructions.
14. UK, Ireland and Hong Kong only – The power cord is supplied with a 13A plug having an earthing pin. The apparatus is earthed and this pin is not required for safety, merely to operate the safety shutter of mains outlet.
15. No naked flames such as lit candles should be placed on the unit.
16. Observe and follow the local regulations when disposing of batteries.
17. Do not expose the unit to dripping or splashing fluids.
18. Do not place objects filled with liquid, such as vases, on the unit.
19. Do not expose the batteries to excessive heat such as sunshine, fire or the like.
20. For all mounted apparatus, the apparatus should be installed on solid wood, bricks, concrete or solid wood columns and battens.
21. Always turn off power at source before putting on or taking off parts and cleaning.
22. Do not use outdoors unless marked for outdoor use.
23. Exceeding the weight capacity can result in serious personal injury or damage to equipment.

Future Sound & Vision trading as Future Automation intend to make this and all documentation as accurate as possible. However, Future Automation makes no claim that the information contained herein covers all details, conditions or variations, nor does it provide for every possible contingency in connection with the installation or use of this product. The information contained in this document is subject to change without prior notice or obligation of any kind. Future Automation makes no representation of warranty, expressed or implied, regarding the information contained herein. Future Automation assumes no responsibility for accuracy, completeness or sufficiency of the information contained in this document.

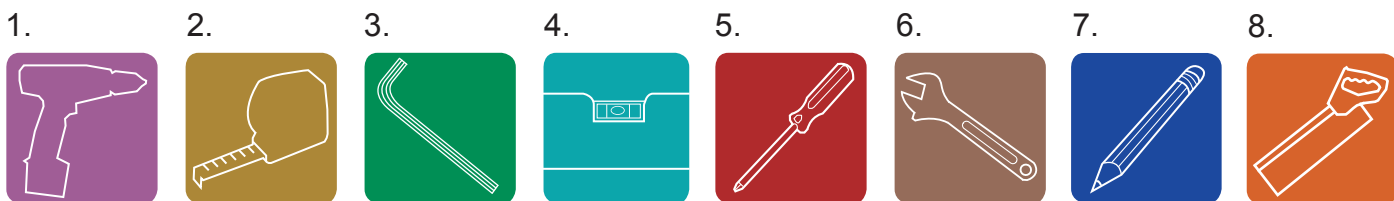
UBLS - Under Bed Lift Swivel

Contents	Page
Introduction	
Safety Information	1
Contents	2
Contents	3
Tool Indicator Icons	3
Installation	
Parts List	
Package Contents	4
Stage 1	
Before You Start	5
Mechanism Key Movements	5
Stage 2	
Removing the Panels & Uprights	6
Stage 3	
Cable Management	7
Stage 4	
Cable Management	8
Stage 5	
Positioning and Fixing the Mechanism	9
Stage 6	
Checking Mechanism Movement	10
Stage 7	
Mounting the Screen	11
Stage 8	
Carriage Switch Adjustment	12
Stage 9	
Up Hinge Switch Adjustment	13
Stage 10	
Down Hinge Switch Adjustment	14
Stage 11	
Telescopic Height Adjustment	15
Stage 12	
Controlling the Mechanism	16
Stage 13	
Swivel Rotation Control	17
Stage 14	
Final Fixings	18
Electrical Connections	
Contact Closure	19
IR Controls	20
RF Controls	21

UBLS - Under Bed Lift Swivel

Contents	Page
Operations	
IR Control	16
IR Operation	16
Storing Positions	16
Changing Batteries	16
RF Control	17
RF Operation	17
Trouble Shooting	18
Technical Overview	19

Tool Indicator Icons



1. - Drill

2. - Tape measure

3. - Allen Keys

4. - Spirit Level

5. - Screwdrivers

6. - Spanners

7. - Pencil

8. - Saw

Product Warranty

This product carries a warranty that covers the cost of labour and spare parts incurred by any defects in materials and workmanship under normal use during a two year period from date of purchase. Support for any problems that are not hardware faults are excluded from the warranty entitlement. This warranty does not affect your statutory consumer rights.

The following is excluded from warranty service:

- Malfunctioning caused by misuse or damage, accidental or otherwise, or service modification by persons not authorised by Future Automation, or the use of any non Future Automation supplied parts;
- Any electrical, or other environmental work external to your Future Automation mechanism including power cuts, surges or lightning strikes;
- Additional items not supplied by Future Automation although they may have been supplied together by the retailer;
- Any 3rd party software products controlling your mechanism;
- Any transfer of ownership. Warranty is provided only to the initial purchaser;
- Compensation for loss of use of the product, and consequential loss of any kind;
- Use of the product over the specified weight capacity;
- Any damage to products during transit that is not checked and notified as "unchecked" or "damaged" upon receipt of delivery.

Any part of your system that needs to be replaced during a warranty repair becomes the property of Future Automation.

UBLS - Under Bed Lift Swivel

Package Contents

- 1 - Mechanism
- 1.1 - Carriage
- 1.2 - Base
- 1.3 - Telescopic Section
- 1.4 - Screen Mount Uprights
- 1.5 - Top Access Panel
- 1.6 - Lower Front Cover Panel
- 1.7 - Upper Front Cover Panel
- 1.8 - Mechanism Cable Management
- 1.9 - Screen & Signal Cables
- 1.10 - Swivel Unit

Not Shown On Page

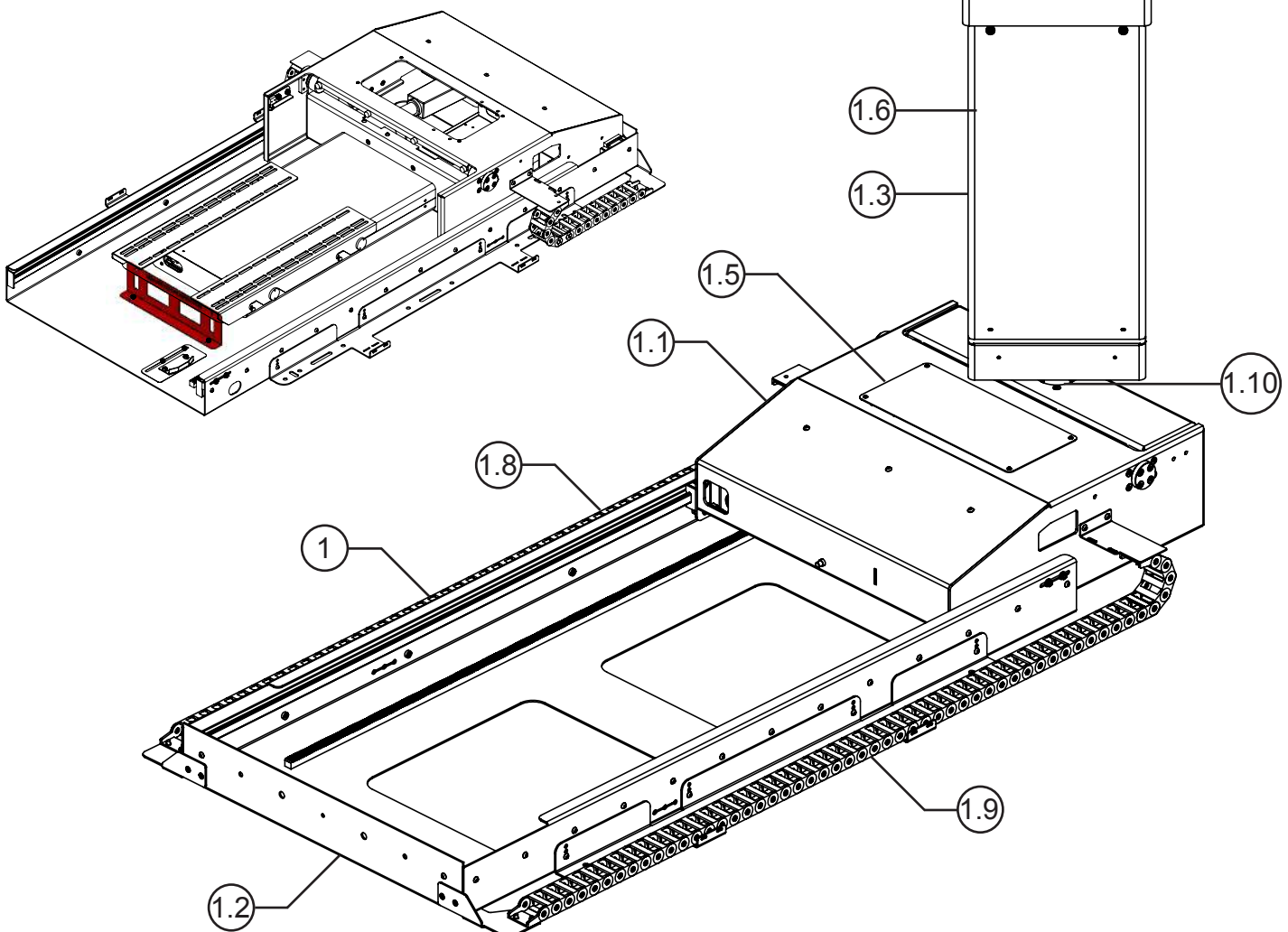
- 3 - x2 AAA Batteries
- 4 - Multi Pack Of Nuts, Bolts & Washers
- 5 - Mains Power & Other Leads

Nuts & Bolts Multipack:

A range of nuts, bolts, washers and spacers to help add in the mounting for your screen



Make sure to remove the red transport bracket before operating the mechanism



UBLS - Under Bed Lift Swivel

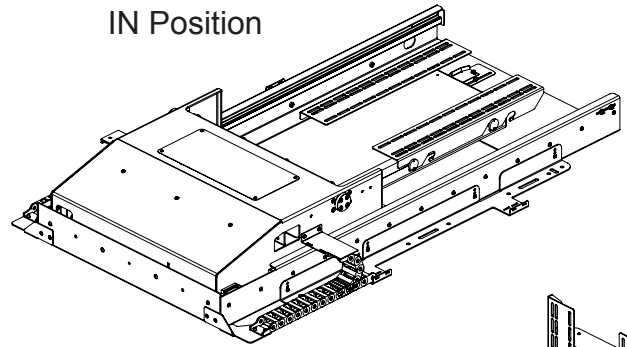
Before you start

Prior to installation, check the following:

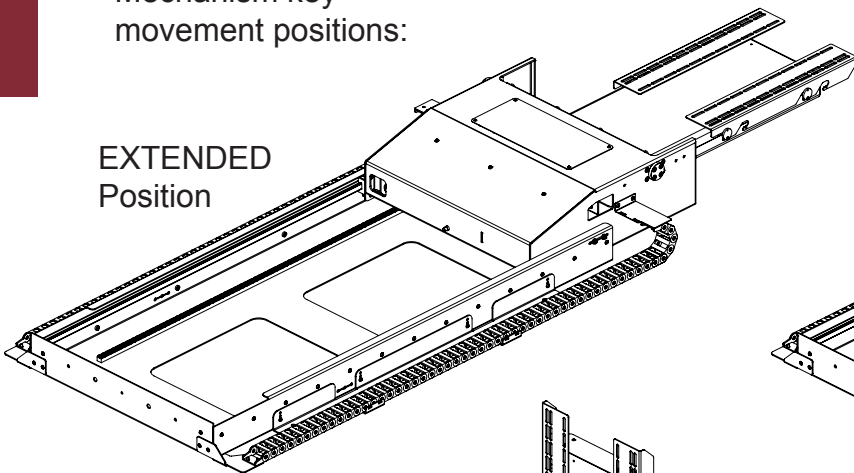
- The product is in good condition and is all connected
- No damage to any parts
- Wiring is all secure
- The mechanism is in the closed position
- Test the mechanism by running it up and down
- Refer to pages 17-19 for mechanism control

Mechanism key movement positions:

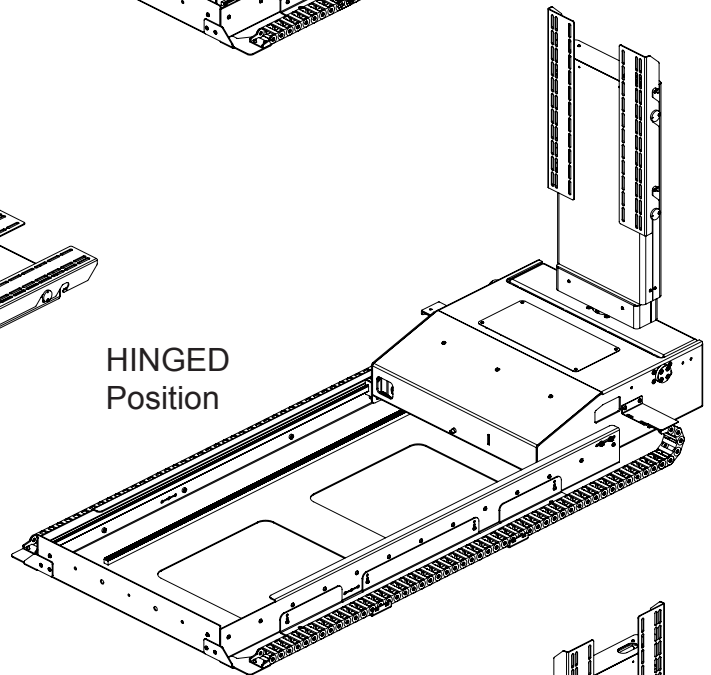
IN Position



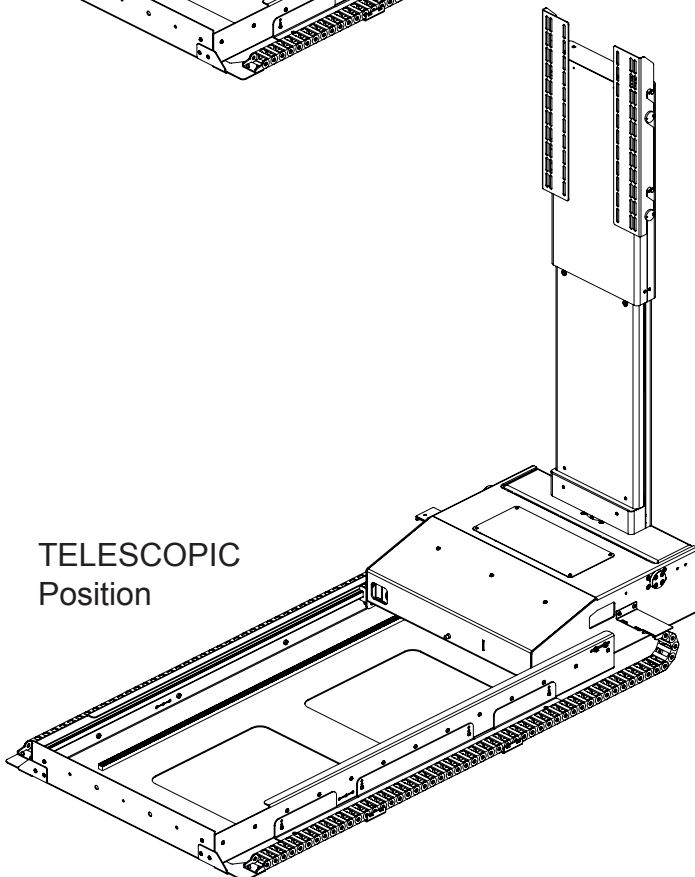
EXTENDED Position



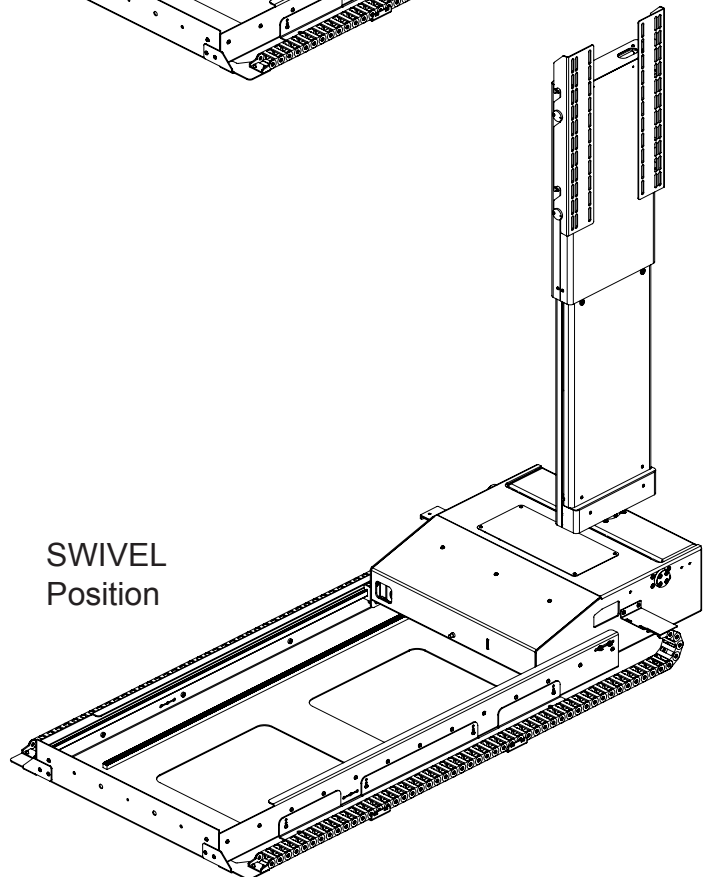
HINGED Position



TELESCOPIC Position



SWIVEL Position



UBLS - Under Bed Lift Swivel

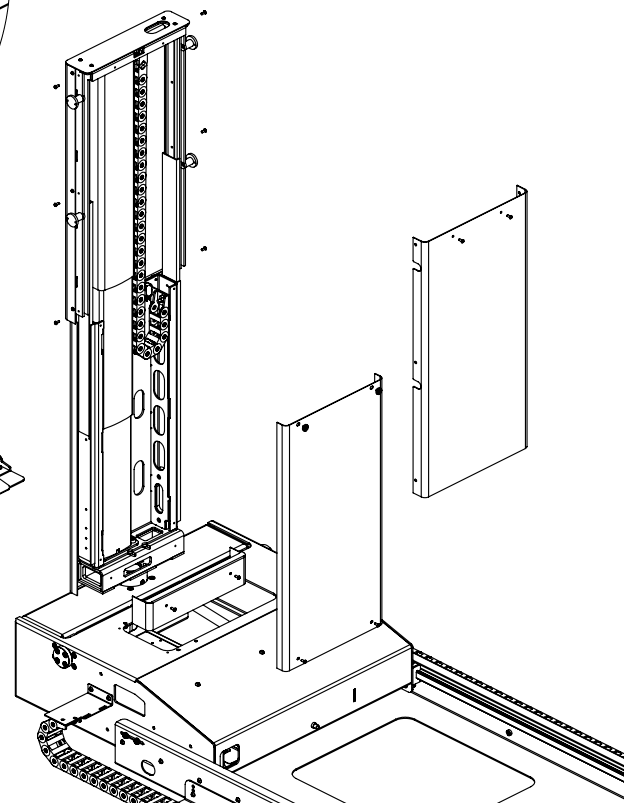
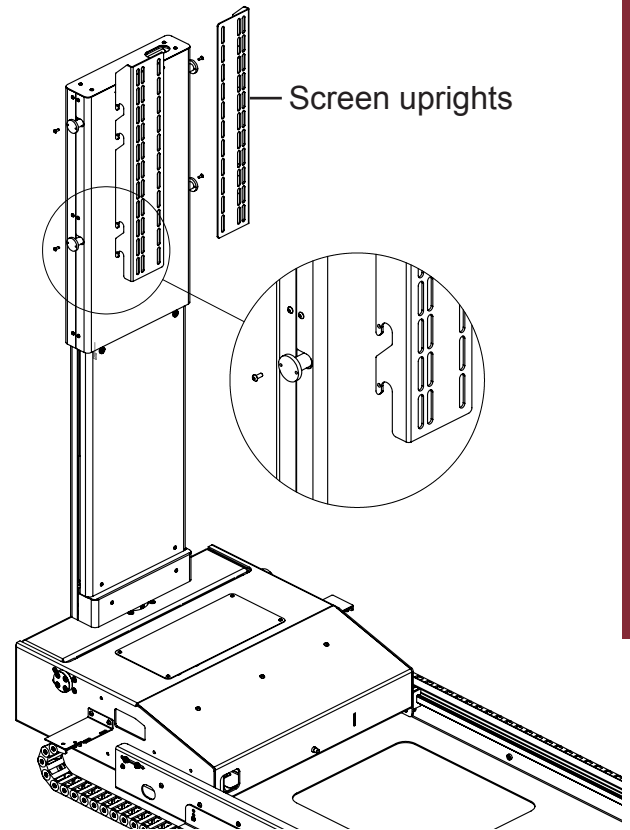
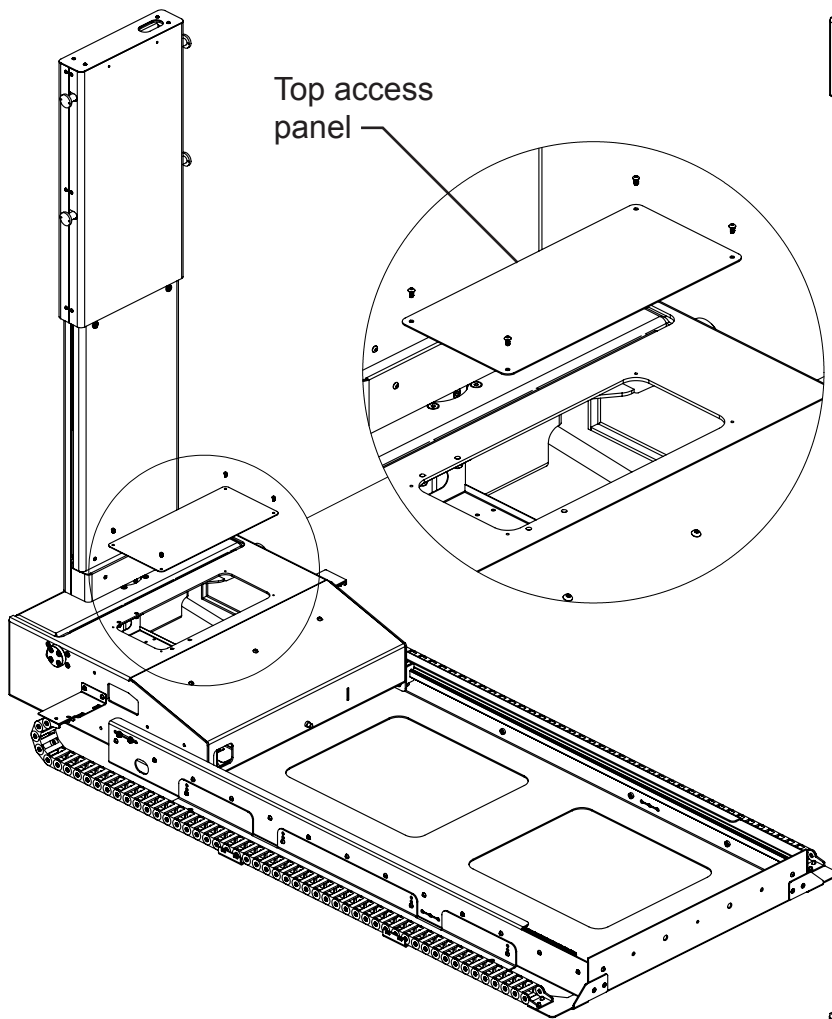


Removing the Panels & Uprights

Make sure mechanism is in the full OUT position.

First remove the screen uprights by removing X4 locking bolts on the mount toggles so they can be un-hooked as shown.

Remove the top access panel by removing the X4 bolts shown.

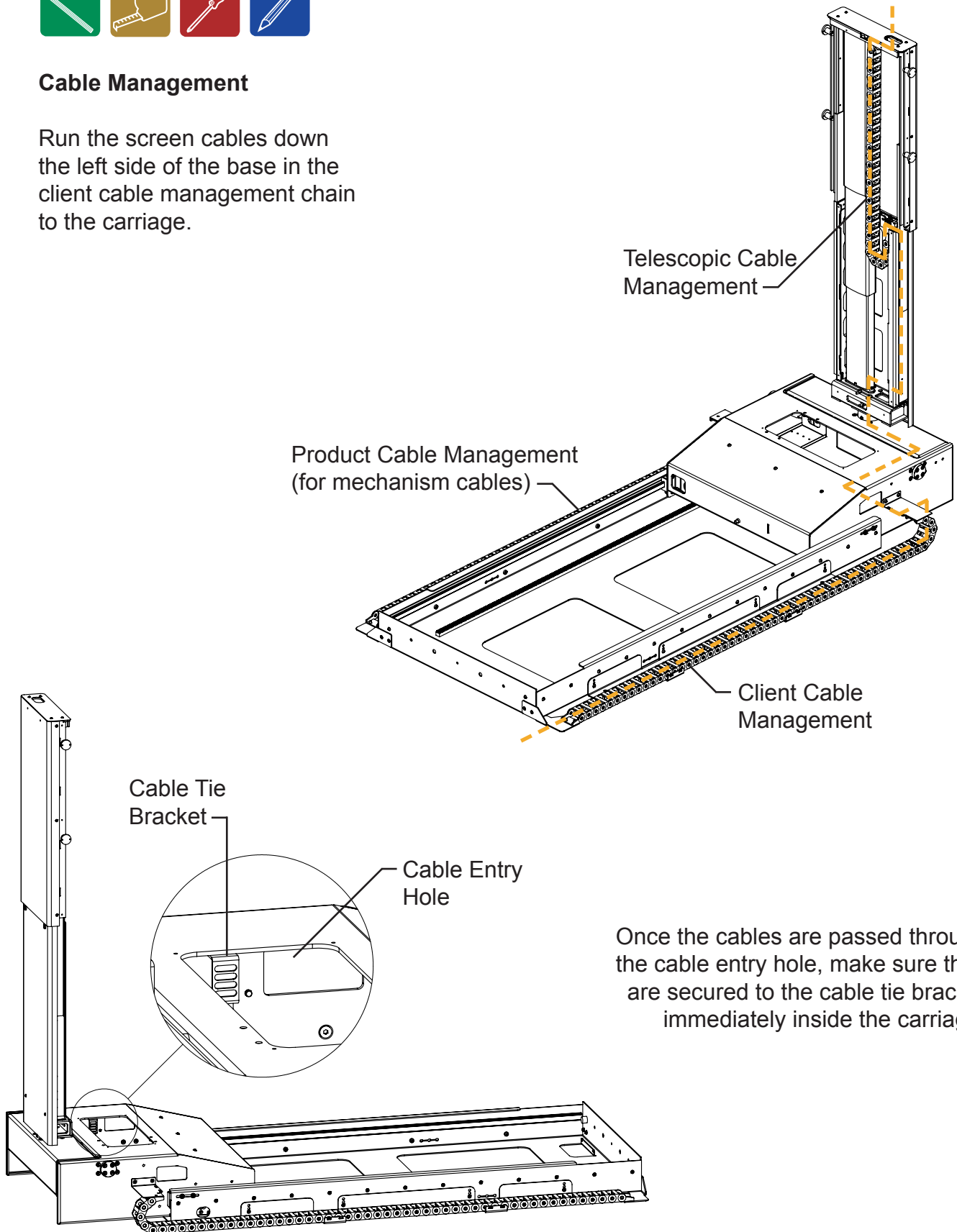


UBLS - Under Bed Lift Swivel



Cable Management

Run the screen cables down the left side of the base in the client cable management chain to the carriage.



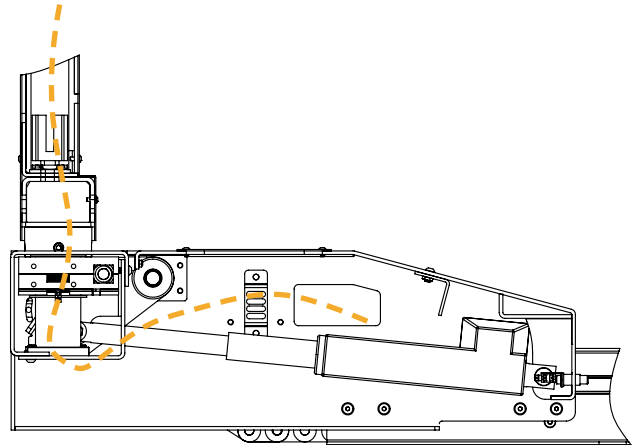
Once the cables are passed through the cable entry hole, make sure they are secured to the cable tie bracket immediately inside the carriage.

UBLS - Under Bed Lift Swivel

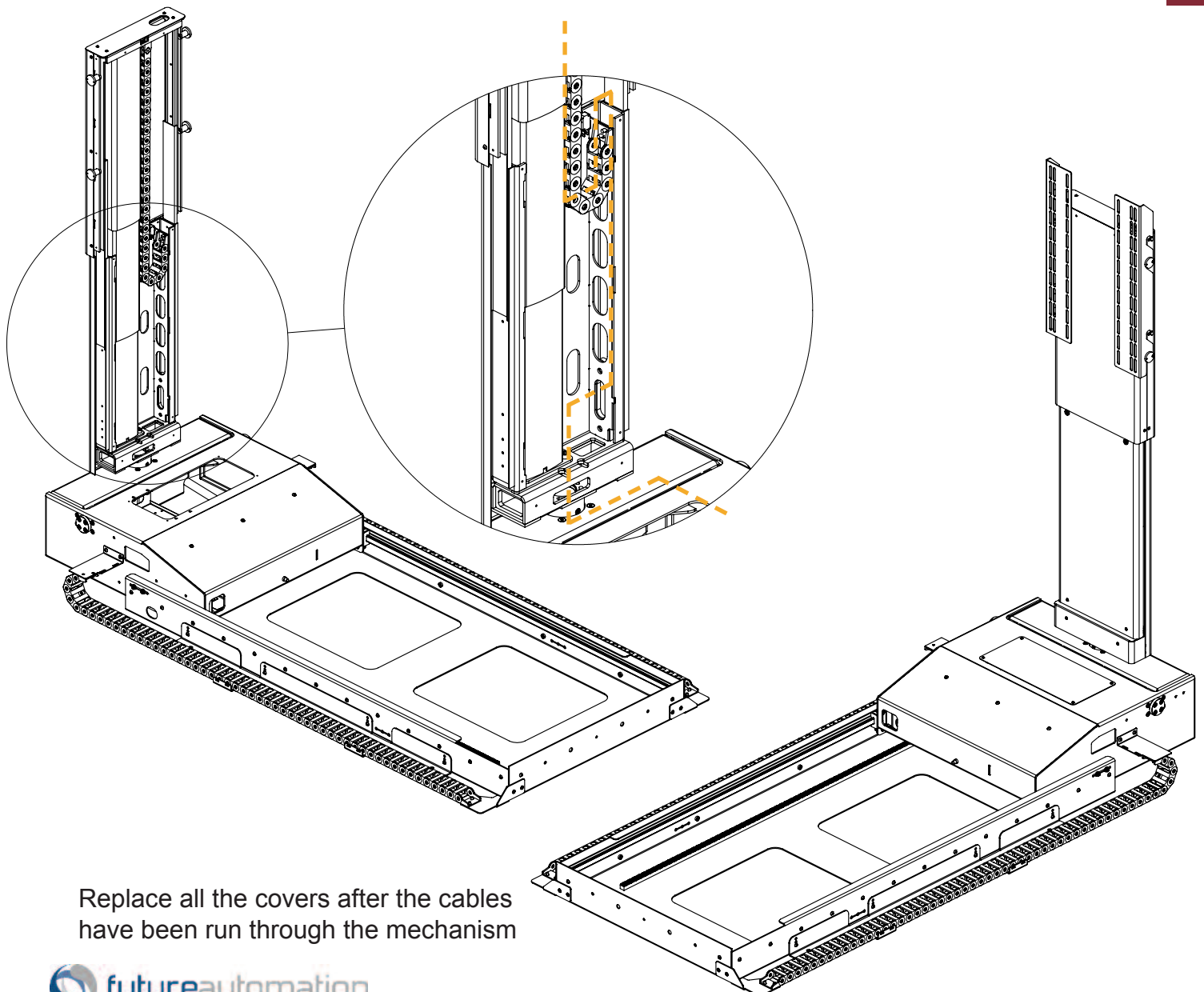


Cable Management

Run the cables into the carriage around into the hinge section. Make sure the cables are above the actuator and have enough slack for the hinge movement without straining the cables.



Run the cables through the hinge base and into the side channel of the telescopic unit as shown, then run through the cable chain and out the top ready to connect to the screen



Replace all the covers after the cables have been run through the mechanism

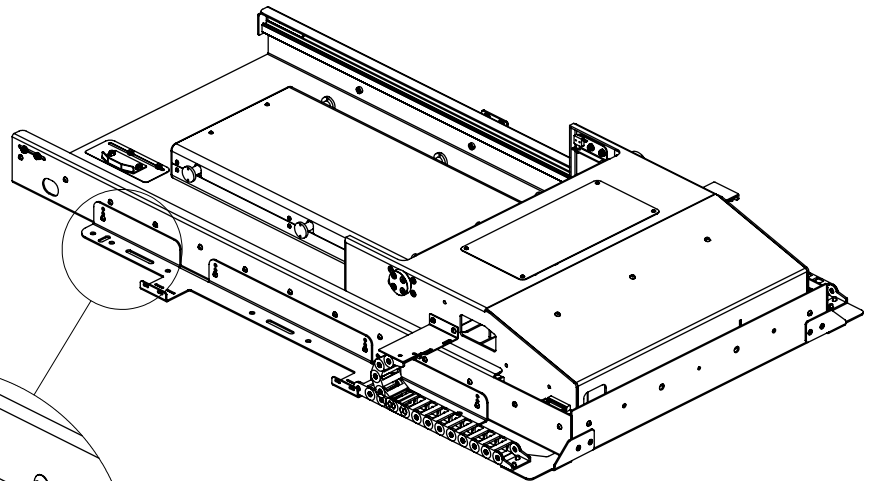
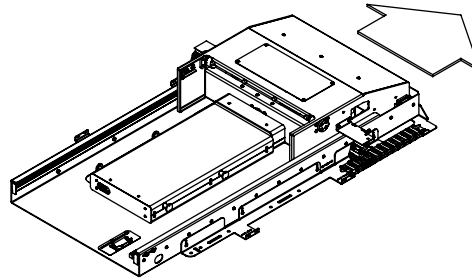
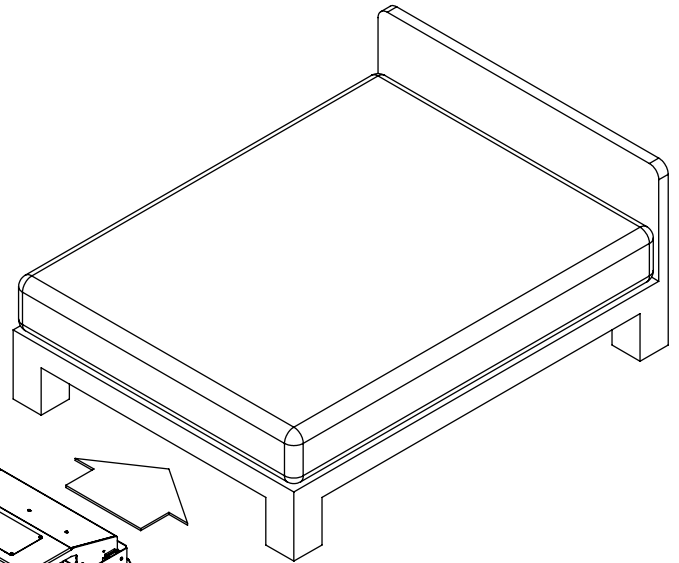
UBLS - Under Bed Lift Swivel



Positioning and Fixing the Mechanism

First run the mechanism back into the IN position.

Slide the mechanism under the bed and fix in place through the slots in the fixing brackets on each side of the mechanism.



Fixing brackets

Slotted holes for adjustment back and forth

Mechanism height adjustment in case of rugs or thick carpets

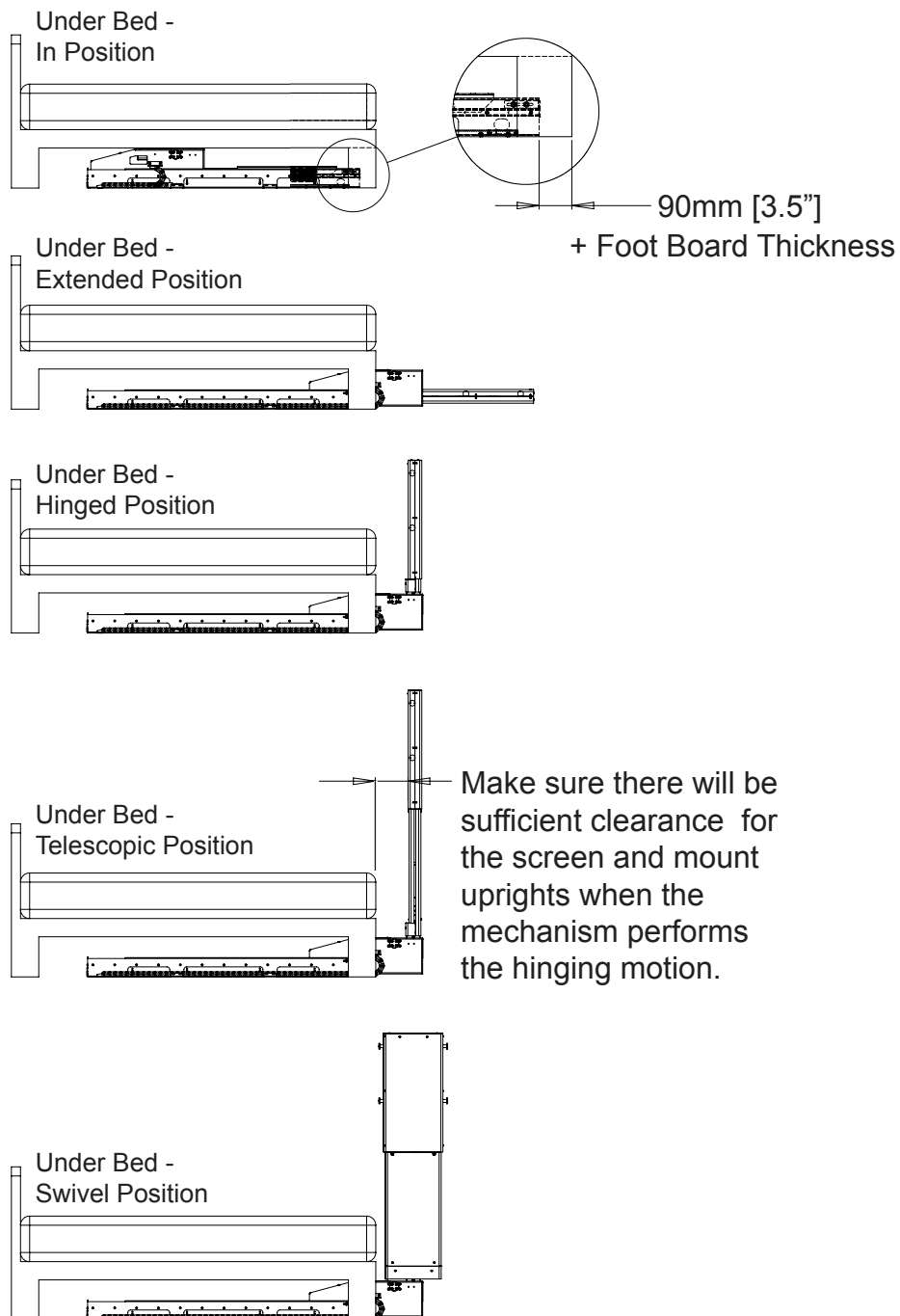
UBLS - Under Bed Lift Swivel



Checking Mechanism Movement



Run the mechanism into the OUT position checking the clearance at all times. Make sure it reaches the OUT position without hitting any obstacles and has suitable clearance from the floor.



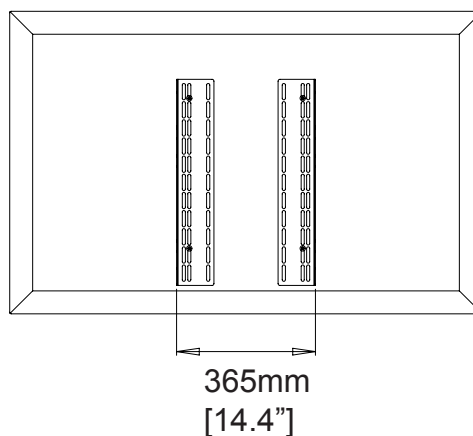
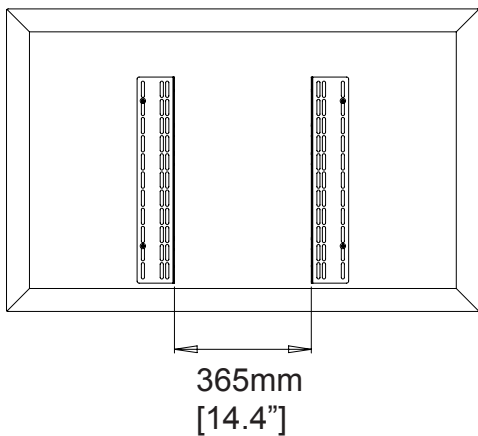
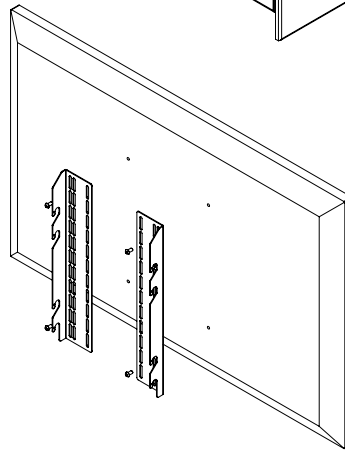
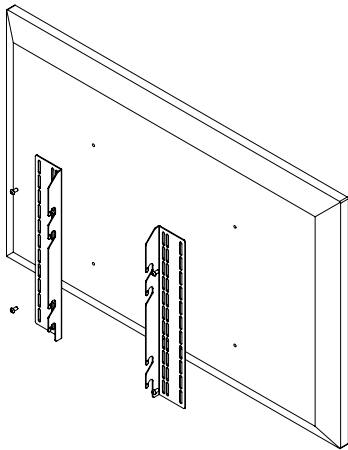
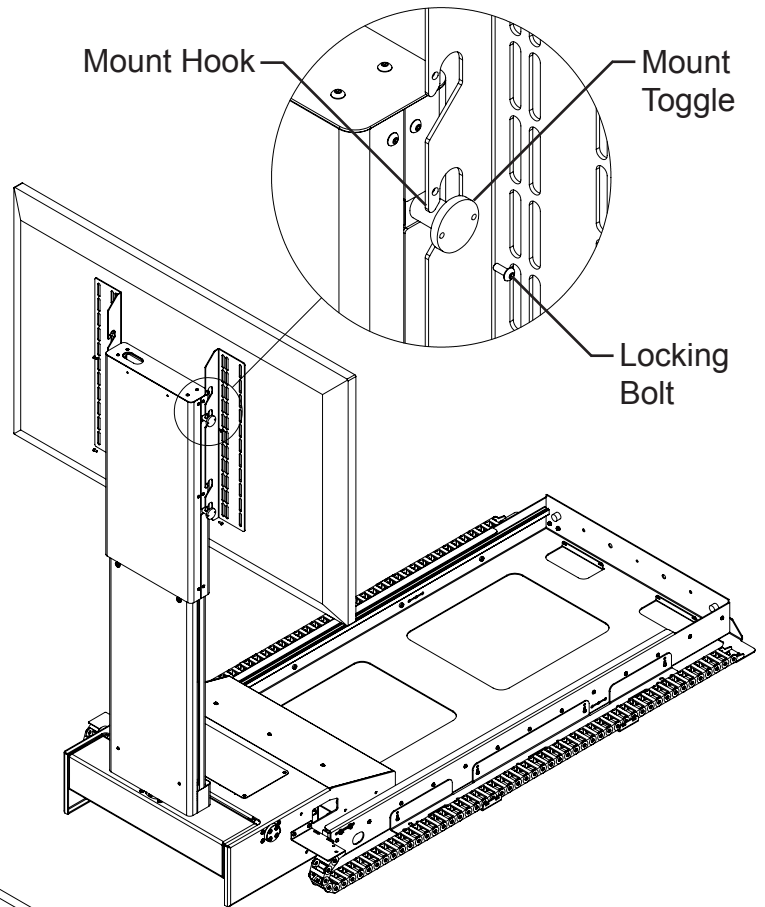
UBLS - Under Bed Lift Swivel



Mounting the Screen

Mount the screen uprights to the rear of the screen. Make sure the hooks are 365mm [14.4"] apart, they can be mounted with the flanges on the inside or outside to suit the VESA pattern on the screen.

Hook over the mount toggles and lock in place using the bolt in the detail view.



UBLS - Under Bed Lift Swivel

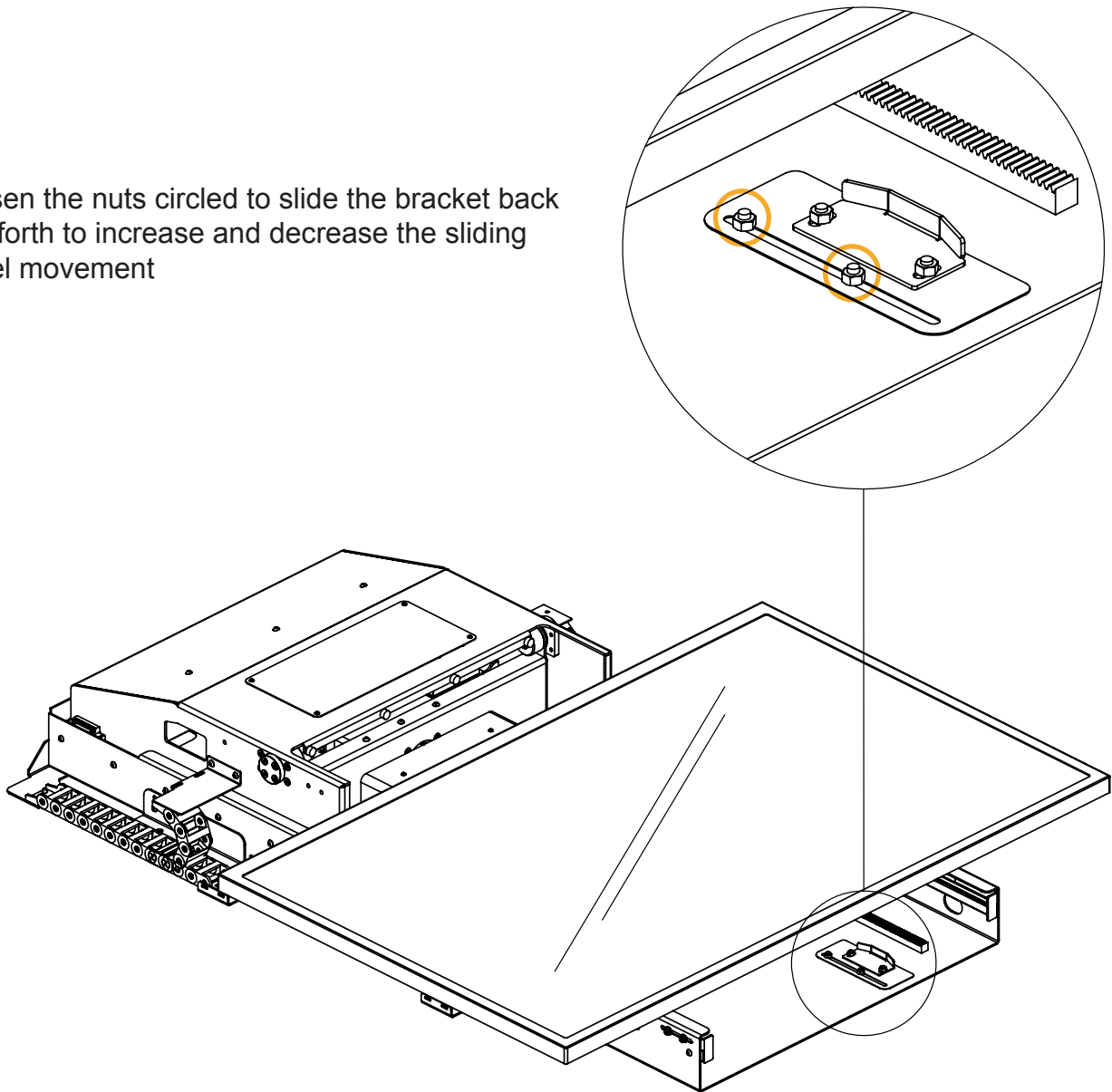


Carriage Switch Adjustment

To adjust the OUT position send the mechanism back to the IN position checking the clearances at all times.

The IN position is factory set and non adjustable.

Loosen the nuts circled to slide the bracket back and forth to increase and decrease the sliding travel movement

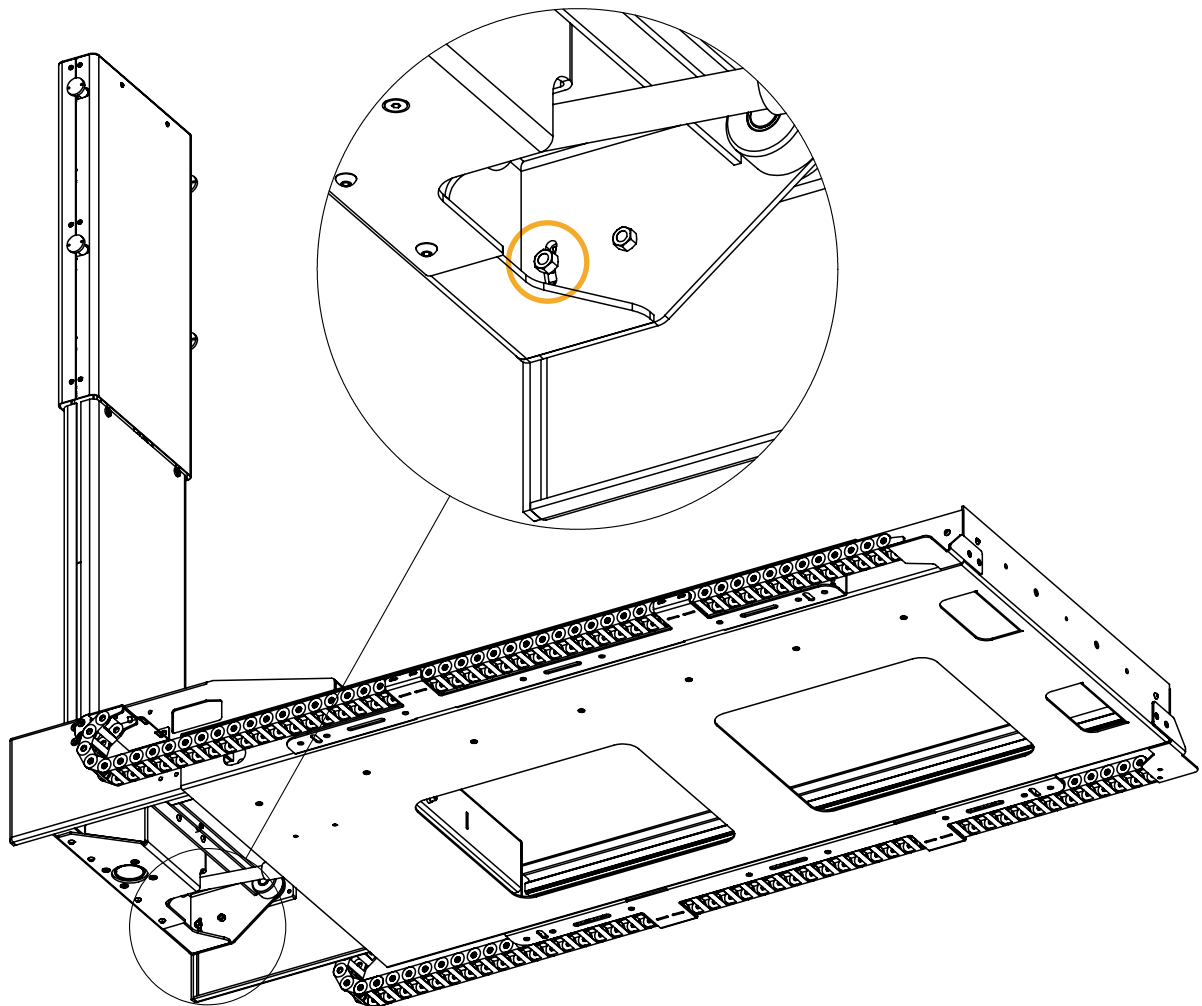


UBLS - Under Bed Lift Swivel



Up Hinge Adjustment

To adjust the hinge UP position run the mechanism fully out, under the carriage are two nuts which hold the out switch bracket. Loosen the nut on the slot and slide up or down to adjust the UP position angle.

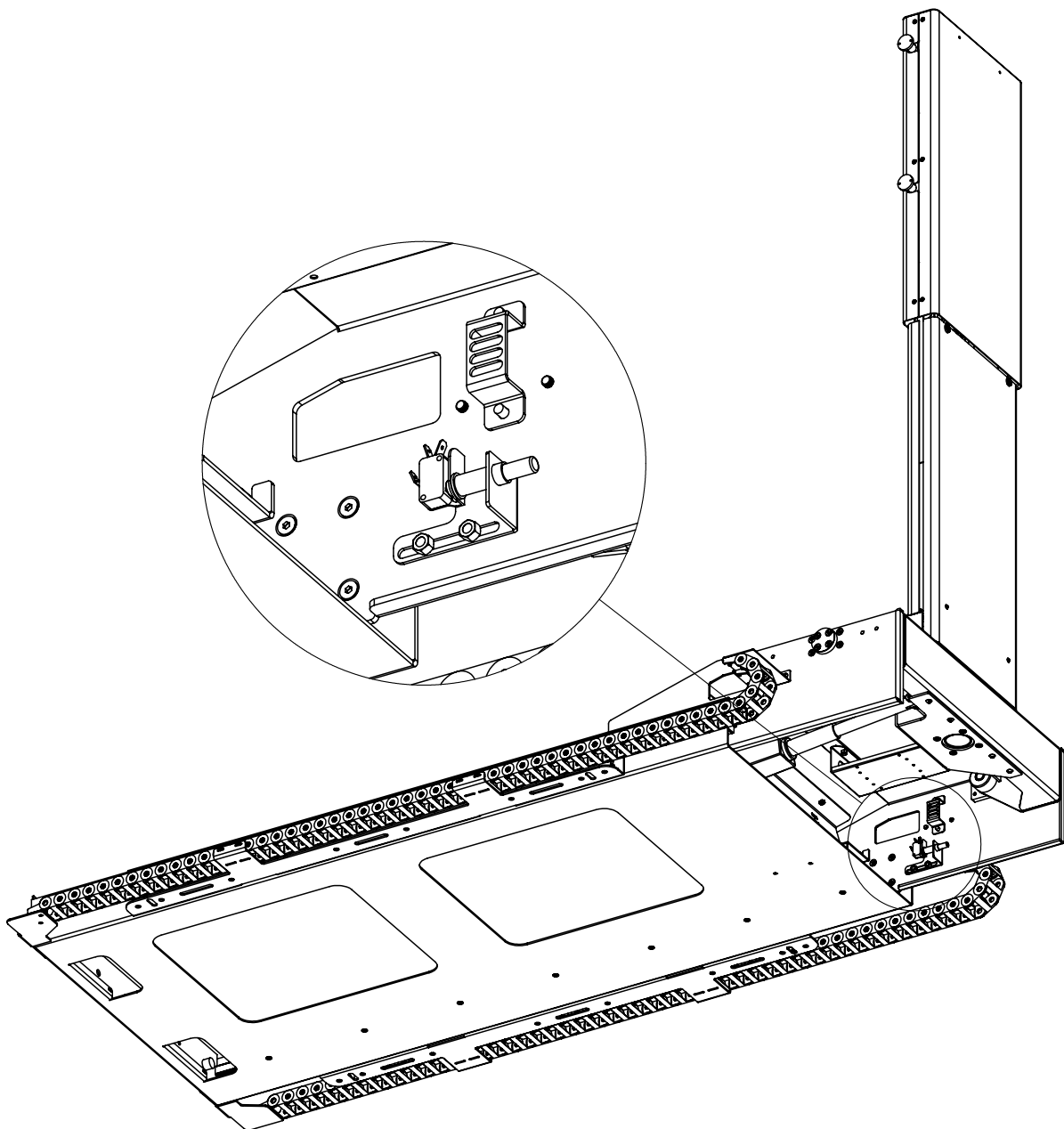


UBLS - Under Bed Lift Swivel



Down Hinge Adjustment

To adjust the hinge DOWN position run the mechanism to the fully out position. Under the carriage is the hinge DOWN position bracket which is secured in place with 2 nuts shown in the detail view. Loosen these nuts and slide the bracket back and forth to alter the DOWN hinge position. Run the mechanism IN to see how the adjustment has changed the hinge DOWN angle.



UBLS - Under Bed Lift Swivel

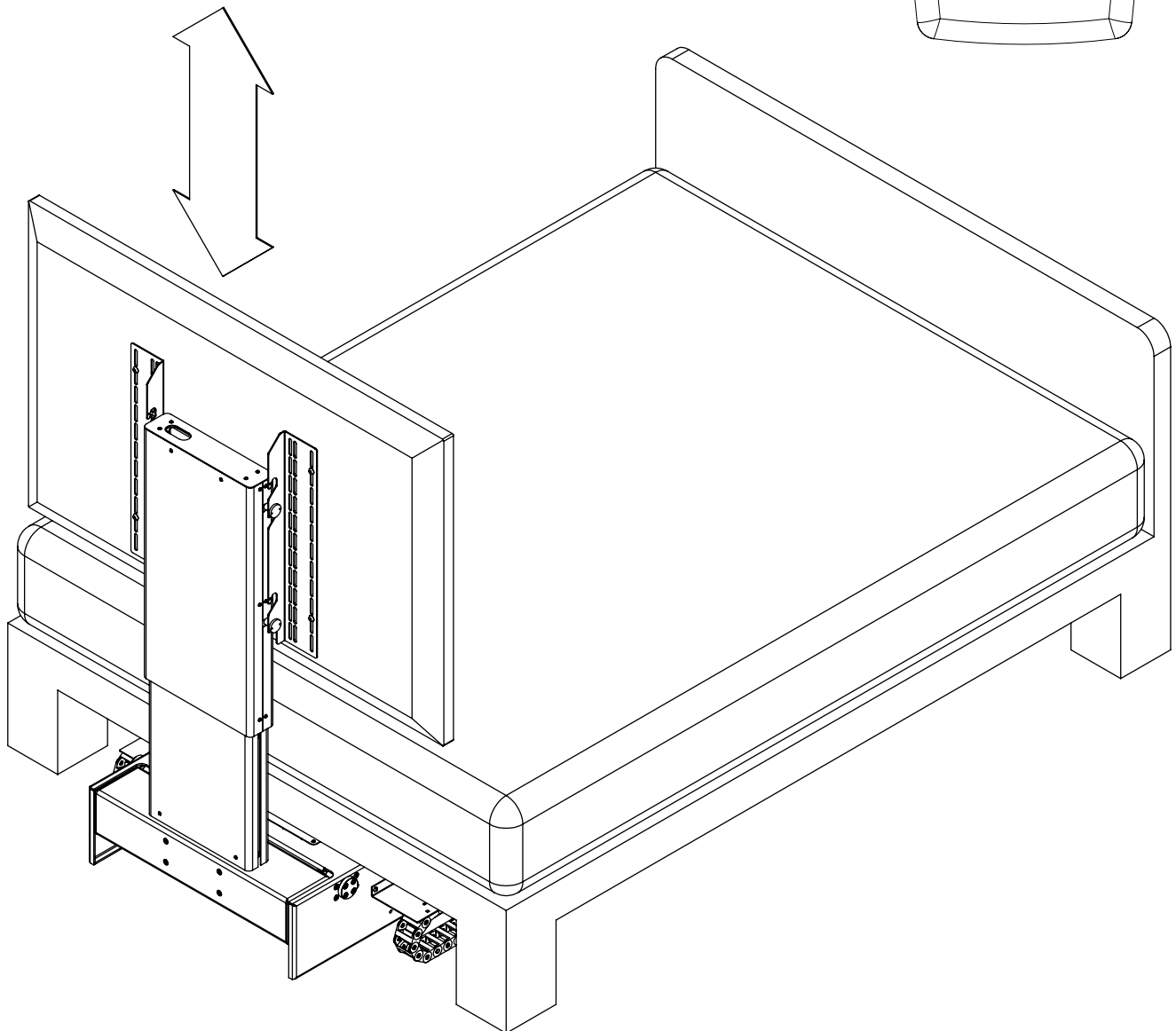
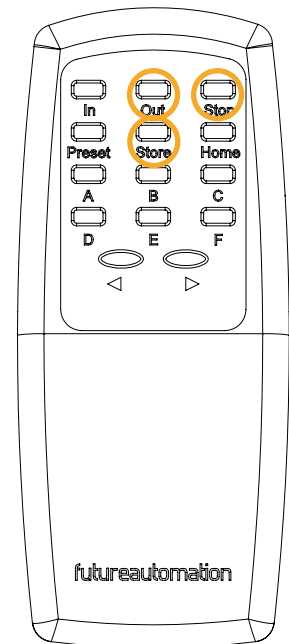


Telescopic Height Adjustment

Finally you can set the viewing height position on the telescopic section by stopping in desired position and then storing the height to the memory of the mechanism using the IR remote control. For more information on operation options on the IR remote control see page 17.

Store + Out - Stores current height position when stopped

Store + Stop + Out - Clears stored height position



UBLS - Under Bed Lift Swivel



Controlling the Mechanism

IN - Takes the UBLS under the bed

OUT - Takes the screen out from under the bed facing forward

STOP - Stops the mechanism at any time

PRESET - Screen goes to learnt position

STORE - Programs current screen position to learnt position

HOME - Takes screen to forward facing position when screen is already in an angled position

< - Rotates screen left

> - Rotates screen right

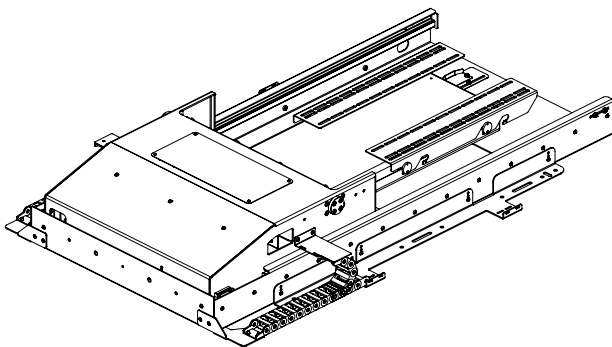
STORE + PRESET - Within 1 sec stores preset position

STORE + < - within 1 sec sets left limit

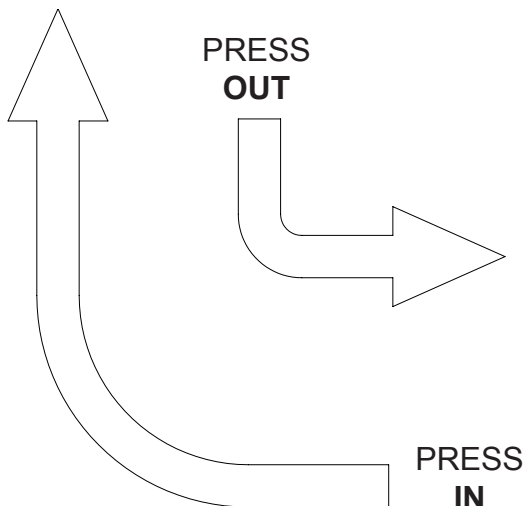
STORE + STOP + < - Within 1 sec clears left set limit

STORE + > - within 1 sec sets right limit

STORE + STOP + > - Within 1 sec clears right set limit



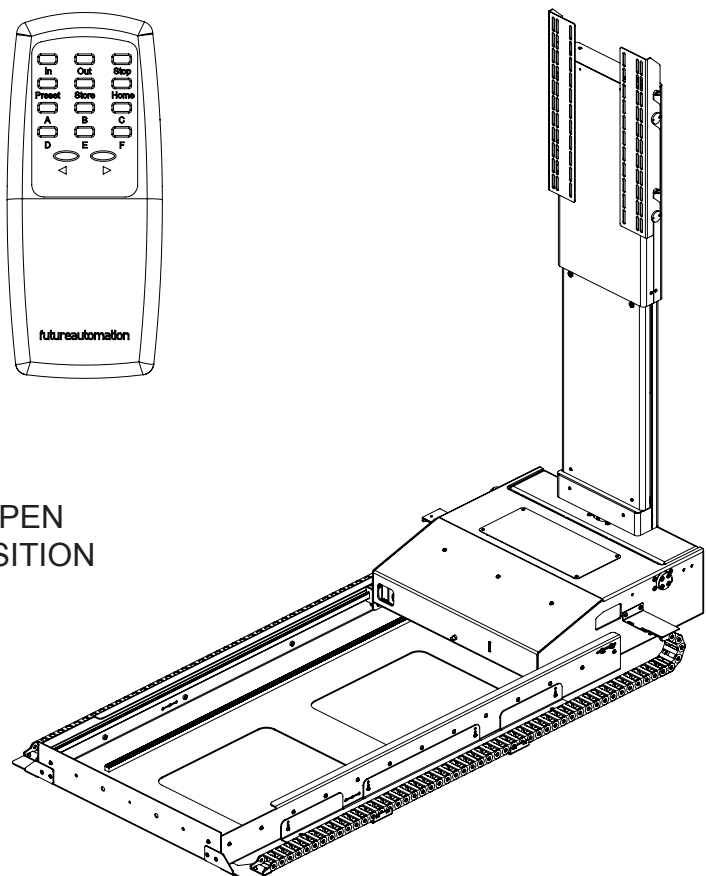
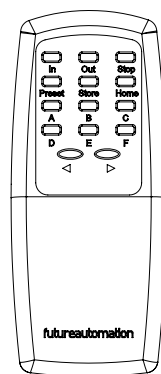
CLOSED POSITION



PRESS OUT

OPEN POSITION

PRESS IN



UBLS - Under Bed Lift Swivel



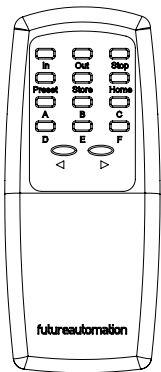
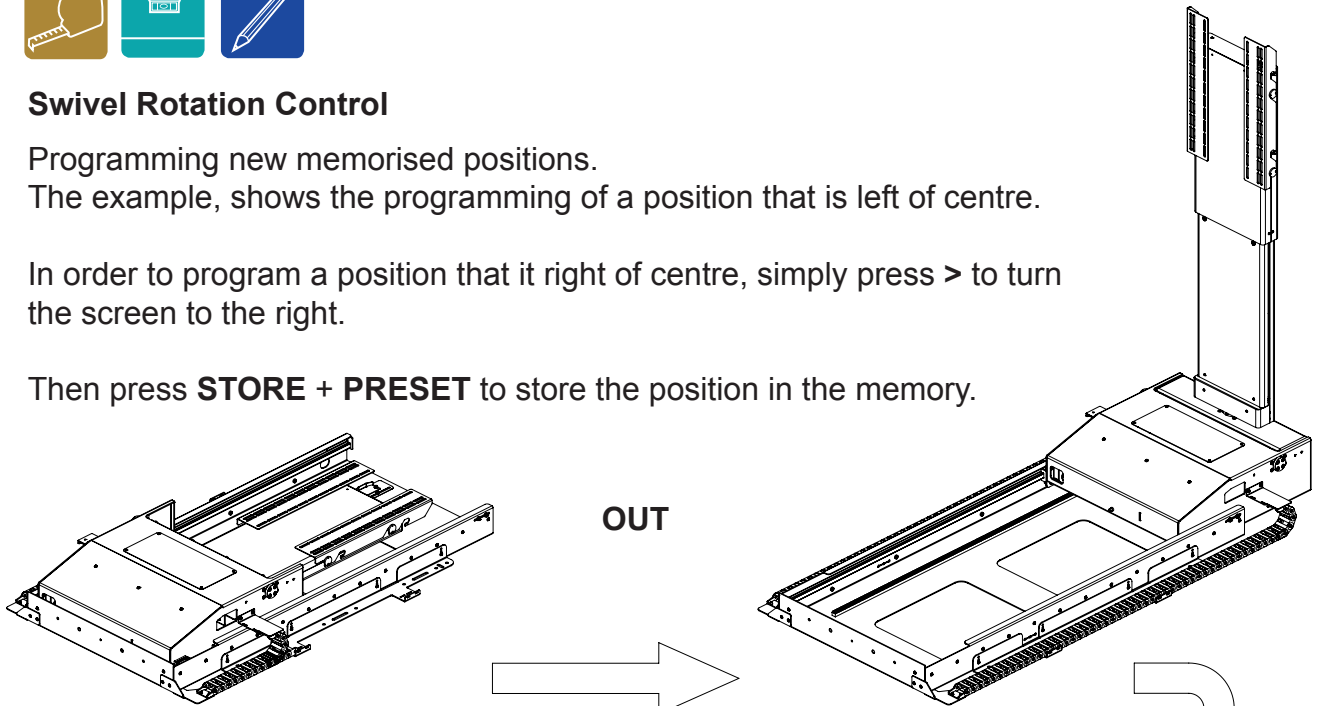
Swivel Rotation Control

Programming new memorised positions.

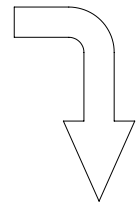
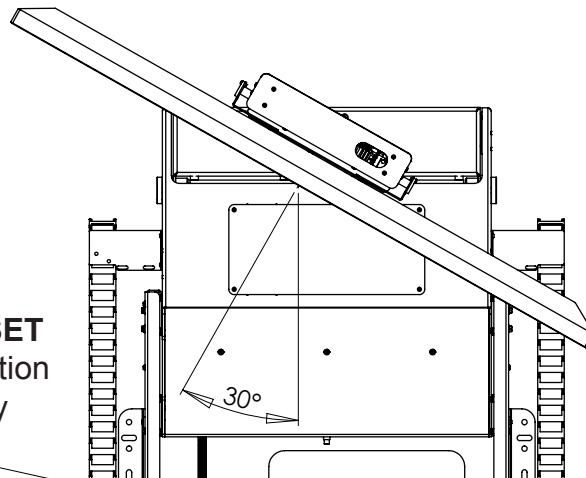
The example, shows the programming of a position that is left of centre.

In order to program a position that is right of centre, simply press > to turn the screen to the right.

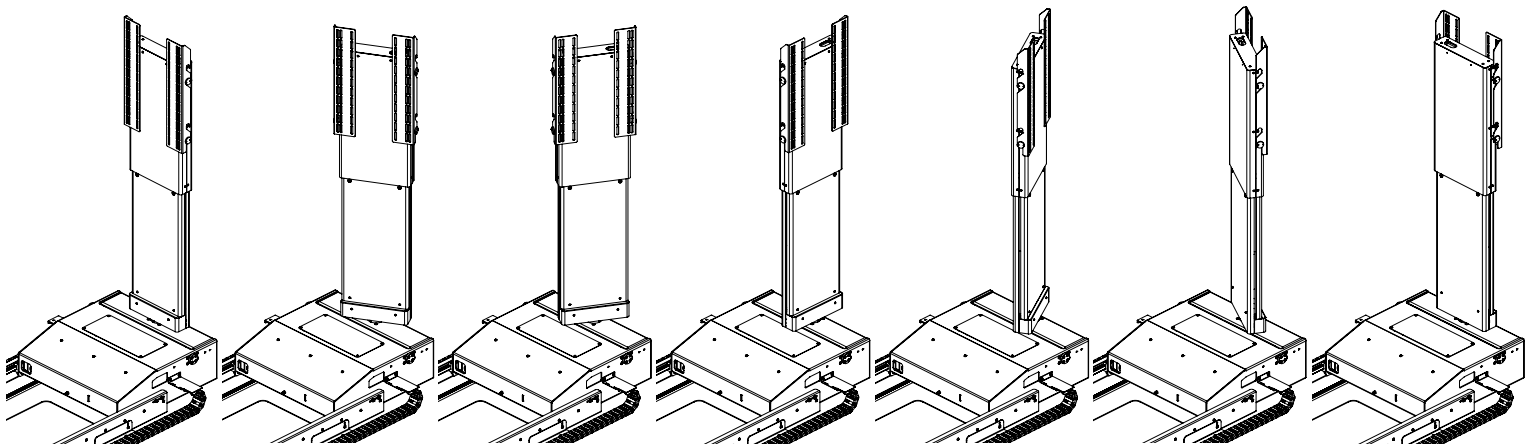
Then press **STORE + PRESET** to store the position in the memory.



Press
STORE + PRESET
To store the position
in the memory



< or >
To rotate
the screen
left or right



UBLS - Under Bed Lift Swivel

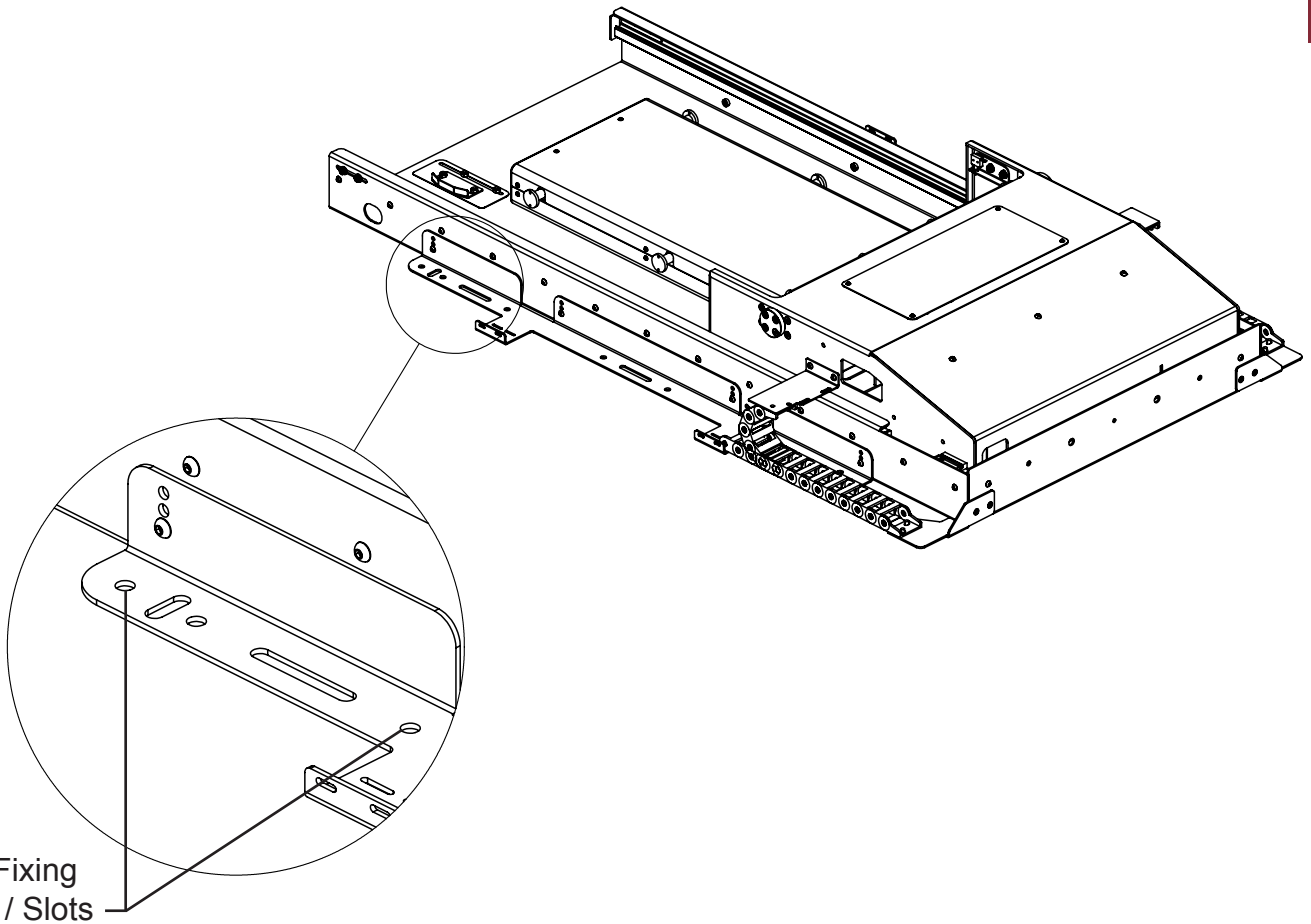


Final Fixings

Once happy with the positioning and movement of the mechanism fix in place using the final fixing holes along the fixing brackets on either side of the mechanism.

Make sure the mechanism is fixed safely and securely.

(Mechanism shown with no screen or uprights)



Make sure to always keep the mechanisms movement path free from obstacles and clutter.

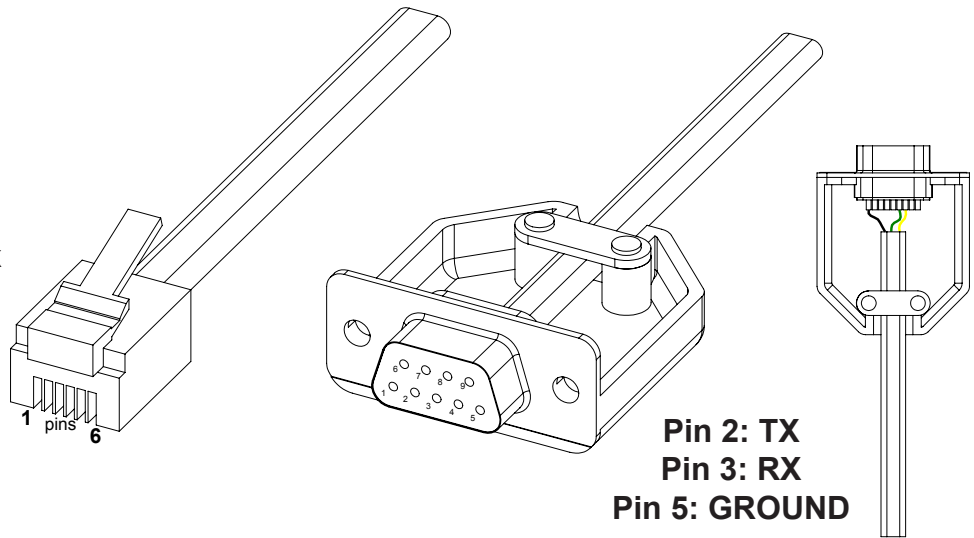
UBLS - Under Bed Lift Swivel



RS232

- Use an RJ25 connector in the socket marked RS232 on the control box to operate using RS232

Pin 1: RX
Pin 6 : TX
Pin 3 & 4: GROUND



Pin 2: TX
Pin 3: RX
Pin 5: GROUND

Details

Baud rate: 9600
 Stop bit: 1
 Parity: None
 Databits: 8

RJ25		9 PIN D
PIN 1: RX	TO	PIN 2: TX
PIN 6: TX	TO	PIN 3: RX
PIN 3: GROUND	TO	PIN 5: GROUND
PIN 4: GROUND	TO	PIN 5: GROUND

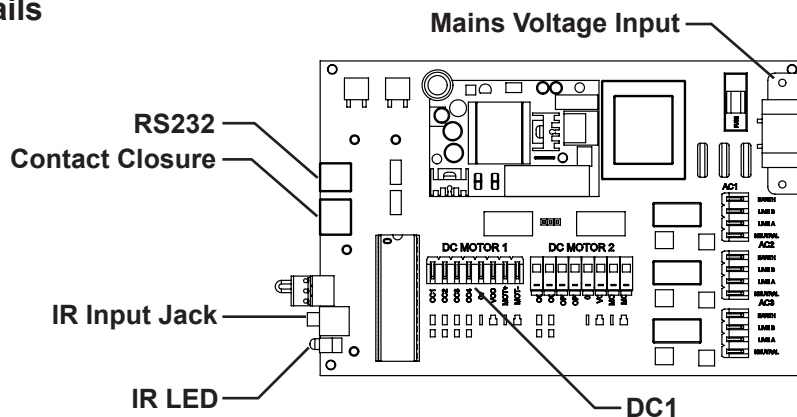


IMPORTANT

Ensure protocol is entered exactly as written, including Carriage Return (Enter / ASCII 13).

PROTOCOL	ACTION
fa_in Carriage Return (Enter ↵)	Device IN
fa_out Carriage Return (Enter ↵)	UBLS OUT no movement to swivel
fa_right Carriage Return (Enter ↵)	UBLS OUT RIGHT limit
fa_left Carriage Return (Enter ↵)	UBLS OUT LEFT limit
fa_preset Carriage Return (Enter ↵)	UBLS to PRESET memory position
fa_stop Carriage Return (Enter ↵)	STOPS the device at any position

Operation Details



DC1
 Low voltage power output for motor drive.
 LED's to show operation of limit switches and positional counters

UBLS - Under Bed Lift Swivel



Operation buttons for the IR remote

In - Brings the UBL under the bed

Preset - Screen goes to learnt position

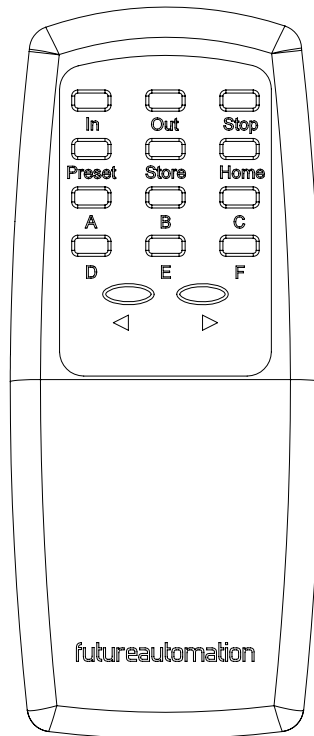
Store - Programs current screen position to learnt position

Out - Brings the UBL out from the bed facing forward

Stop - Will stop the operation at any position

Store + Out - Stores current height position when stopped

Store + Stop + Out - Clears stored height position



Home - Takes screen to forward facing position when screen is already in an angled position

< - Rotates Screen left

> - Rotates Screen right

Store + Preset - Within 1 sec stores preset position

Store + < - Within 1 sec sets left limit

Store + Stop + < - Within 1 sec clears left set limit

Store + > - Within 1 sec sets right limit

Store + Stop + > - Within 1 sec clears right set limit



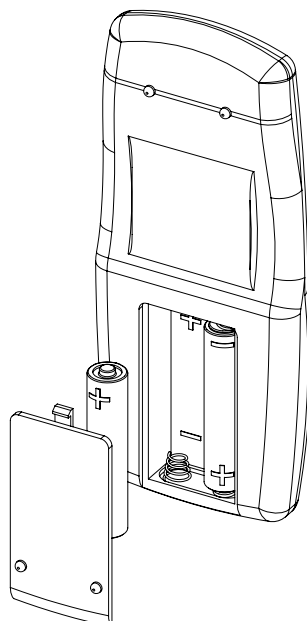
Note

Only buttons indicated are functional with the product. Any button pressed when in motion mechanism will stop.

Replacing batteries



Future Automation IR Remote Controller needs x2 AAA batteries which are provided within the packaging



UBLS - Under Bed Lift Swivel



UBL Under Bed Lift - Trouble shooting guide

For information on our products please refer to our web site -
www.futureautomation.co.uk
or for questions on installations and our product range please
phone us on - **+44(0) 1438 833577** and ask for our technical
support department

UBLS - Under Bed Lift Swivel



A general technical overview of the UBLS actuator lift

	UBLS
Product Dimensions (W,D,H When Closed)	915x1500x220mm [36x59.1x8.7"]
Weight (Kg)	80Kg [176.4lb]
Power Consumption	Max 100W
Power Consumption On Standby	1.5W
Lifting Capacity (Kg)	40Kg [88.2lb]
Standard Colour	Black
Horizontal Movement	1200mm [47.3"]
Telescopic Movement	585mm [23"]
Max Swivel Rotation Right	180 Dregrees
Max Swivel Rotation Right	180 Dregrees
Max Television Size (W,H,D)	1250x800x70mm [49.2x31.5x2.8"]
Control	IR Remote, RF Remote & RS232
Power Supply	240V or 110V
Control Of 3rd Party Product	Yes
Output Power Supply	Yes (12V)
Control Box Size (W,D,H)	152x200x55mm [6x7.9x2.2"]
Shipping Details	
Dimensions (W,D,H)	1870x1100x500mm [73.6x43.3x19.7"]
Weight (Kg)	120Kg [264.6lb]

UBLS - Under Bed Lift Swivel



Notes...



Future Automation

Unit 2 Kimpton Enterprise Park
Claggy Road
Kimpton
Hertfordshire
SG4 8HP
United Kingdom

Tel: +44 (0) 1438 833 577

Fax: +44 (0) 1438 833 565

Email: info@futureautomation.co.uk

www.futureautomation.co.uk