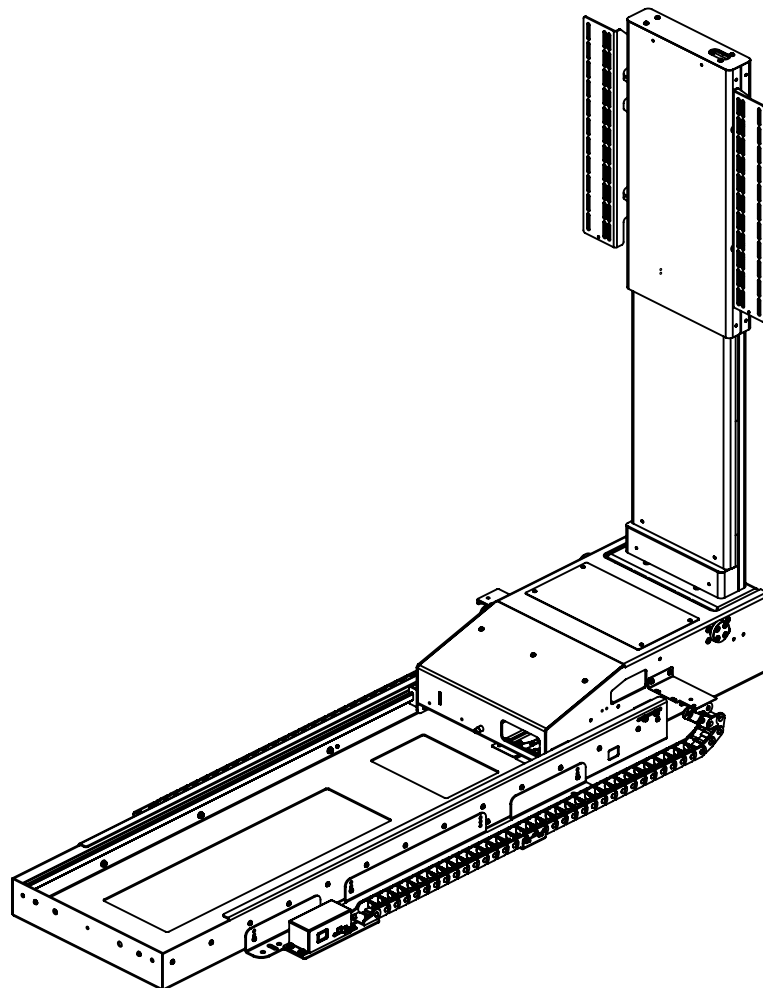




future automation

# UBL

UNDER BED TV LIFT



## INSTALLATION INSTRUCTIONS

ISSUE 007



# SAFETY DISCLAIMER

## IMPORTANT SAFETY INSTRUCTIONS BELOW

**WARNING:** Failure to provide adequate structural strengthening, prior to installation can result in serious personal injury or damage to the equipment. It is the installer's responsibility to ensure the structure to which the component is affixed can support four times the weight of the component and any additional apparatus mounted to the component.

**WARNING:** Do not exceed the weight capacity for this product as listed below. This can result in serious personal injury or damage to the equipment. It is the installer's responsibility to ensure that the total combined weight of all attached components does not exceed that of the maximum figure stated.

**WARNING:** Risk of death or serious injury may occur when children climb on audio and/or video equipment or furniture. A remote control or toys placed on the furnishing may encourage a child to climb on the furnishing and as a result the furnishing may tip over on to the child.

**WARNING:** Risk of death or serious injury may occur. Relocating audio and/or video equipment to furniture not specifically designed to support audio and/or video equipment may result in death or serious injury due to the furnishing collapsing or over turning onto a child or adult.



**WARNING – RISK OF INJURY!**



Only for use with equipment weighing **88LBS (40KG) OR LESS.**

Use with heavier projectors/equipment may lead to instability causing tip over or failure resulting in death or serious injury.

Bracket Suitable for Residential and Commercial Use.

### ADDITIONAL WARNINGS:

1. Keep all documentation/instructions after fitting.
2. Read all technical instructions fully before installation and use. It is the installer's responsibility to ensure that all documentation is passed on to the end user and read fully before operation.
3. Do not use near water or outdoors unless the product has been specifically designed to do so.
4. Protect any cables or cords being used near this bracket from being walked on or pinched to prevent damage and risk of injury.
5. Use this product only for its intended purpose as described in the product instructions and only use attachments/accessories specified by the manufacturer.
6. Do not operate the product if it is damaged in any way, liquid has been spilled or objects have fallen into the apparatus, the apparatus has been exposed to rain or moisture, does not operate normally, or has been dropped. Contact the original installer/manufacturer to arrange repair or return.

### WARNING - To reduce the risk of burns, fire, electric shock, or injury to persons:

1. Clean only with a dry cloth and always unplug any electrical items being used in conjunction with this product before cleaning.

Future Sound & Vision trading as Future Automation intend to make this and all documentation as accurate as possible. However, Future Automation makes no claim that the information contained herein covers all details, conditions or variations, nor does it provide for every possible contingency in connection with the installation or use of this product. The information contained in this document is subject to change without prior notice or obligation of any kind. Future Automation makes no representation of warranty, expressed or implied, regarding the information contained herein. Future Automation assumes no responsibility for accuracy, completeness or sufficiency of the information contained in this document.

# PRODUCT WARRANTY & RISK ASSESSMENT

## WARRANTY INFORMATION

**WARNING - The warranty offered for this product shall be annulled if the product is used improperly or in a way that is in breach of our Terms of Service.**

Future Automation provides warranty for the mechanism you purchased for the period of **24 months** from the date of purchase, provided that it isn't used for unintended purposes.

Under the warranty, Future Automation aims to either solve the issue remotely (via telephone or email support) or if the mechanism requires a part, arrange a visit to your premises by a Future Automation approved engineer or send replacement items where appropriate.

Warranty repairs will be carried out as quickly as possible, but subject to parts availability. This warranty period is respectively extended for the period of a repair.

A malfunctioning product must be cleaned and placed into suitable packaging to protect against transit damage before organising delivery to a repair workshop.

All the complaints about defects must be submitted to the vendor/installer that sold this product, rather than directly to the manufacturer.

Any part of your system that needs to be replaced during a warranty repair becomes the property of Future Automation.

### **The warranty does not cover the following:**

- Damages resulting from improper product use or maintenance.
- Repairs carried out by unauthorized persons.
- Natural wear and tear during operation.
- Damages caused by the buyer.
- Accidental damages caused by a customer or damages caused as a result of careless attitude or usage, or damages caused by natural disasters (natural phenomena).
- Any electrical, or other environmental work external to your Future Automation mechanism including power cuts, surges etc.
- Additional items not supplied by Future Automation although they may have been supplied together by the retailer
- Any 3rd party software products controlling your mechanism
- Any transfer of ownership. Warranty is provided only to the initial purchaser.
- Compensation for loss of use of the product, and consequential loss of any kind.

A separate Safety and Servicing Information document is provided with these instructions (additional copies can be found at [www.futureautomation.co.uk/safety](http://www.futureautomation.co.uk/safety)), and this document **MUST** be filled out by the approved Future Automation Dealer who is installing the product. This Warranty Sheet must be held by the end user for the duration of the products life and will be referred to during servicing or warranty queries.

The Safety and Servicing Information document also contains two Service History Forms that must be filled in by the approved Future Automation dealer who is performing the first required yearly service of this product.

**One copy of the Service History Form must be held by the customer (along with the Warranty Sheet) and a duplicate copy must be held by the approved Future Automation dealer that performed the service. Missing and/or mismatching documents may delay or invalidate warranty claims.**

Additional Service History Forms can be found on the Future Automation website for further yearly services.

## RISK ASSESSMENT INFORMATION

It is the installer's responsibility to perform a risk assessment of installed products. Future Automation can provide guidelines to installers/dealer about what should be included in a risk assessment, but due to the individual nuances of each location/site, Future Automation cannot provide a full list of areas to risk assess.

For full risk assessment and safety information please view our Safety and Servicing guide available at [www.futureautomation.net/safety](http://www.futureautomation.net/safety)

# GUIDE

## CONTENTS

SAFETY DISCLAIMER	1
PRODUCT WARRANTY & RISK ASSESSMENT	2
GUIDE CONTENTS	3
PACKAGE CONTENTS	4
INITIAL OPERATION	5
TRIM PANEL REMOVAL	6
CABLE MANAGEMENT	7
CABLE MANAGEMENT (CONT)	8
POSITIONING & FIXING THE MECHANISM	9
CHECKING MECHANISM MOVEMENT	10
SCREEN MOUNTING	11
CARRIAGE SWITCH ADJUSTMENT	12
UP HINGE ADJUSTMENT	13
DOWN HINGE ADJUSTMENT	14
TELESCOPIC HEIGHT ADJUSTMENT	15
FINAL FIXINGS	16
GENERAL CONTROL	17
INFRARED (IR)	18
RADIO FREQUENCY (RF)	19
RS232 CONTROL	20

# PACKAGE CONTENTS

## 1 - UBL MECHANISM

- 1.1 - CARRIAGE
- 1.2 - BASE
- 1.3 - TELESCOPIC SECTION
- 1.4 - SCREEN MOUNT UPRIGHTS
- 1.5 - TOP ACCESS PANEL
- 1.6 - LOWER FRONT COVER PANEL
- 1.7 - UPPER FRONT COVER PANEL
- 1.8 - MECHANISM CABLE MANAGEMENT
- 1.9 - SCREEN & SIGNAL CABLES

## 2 - CONTROL BOX

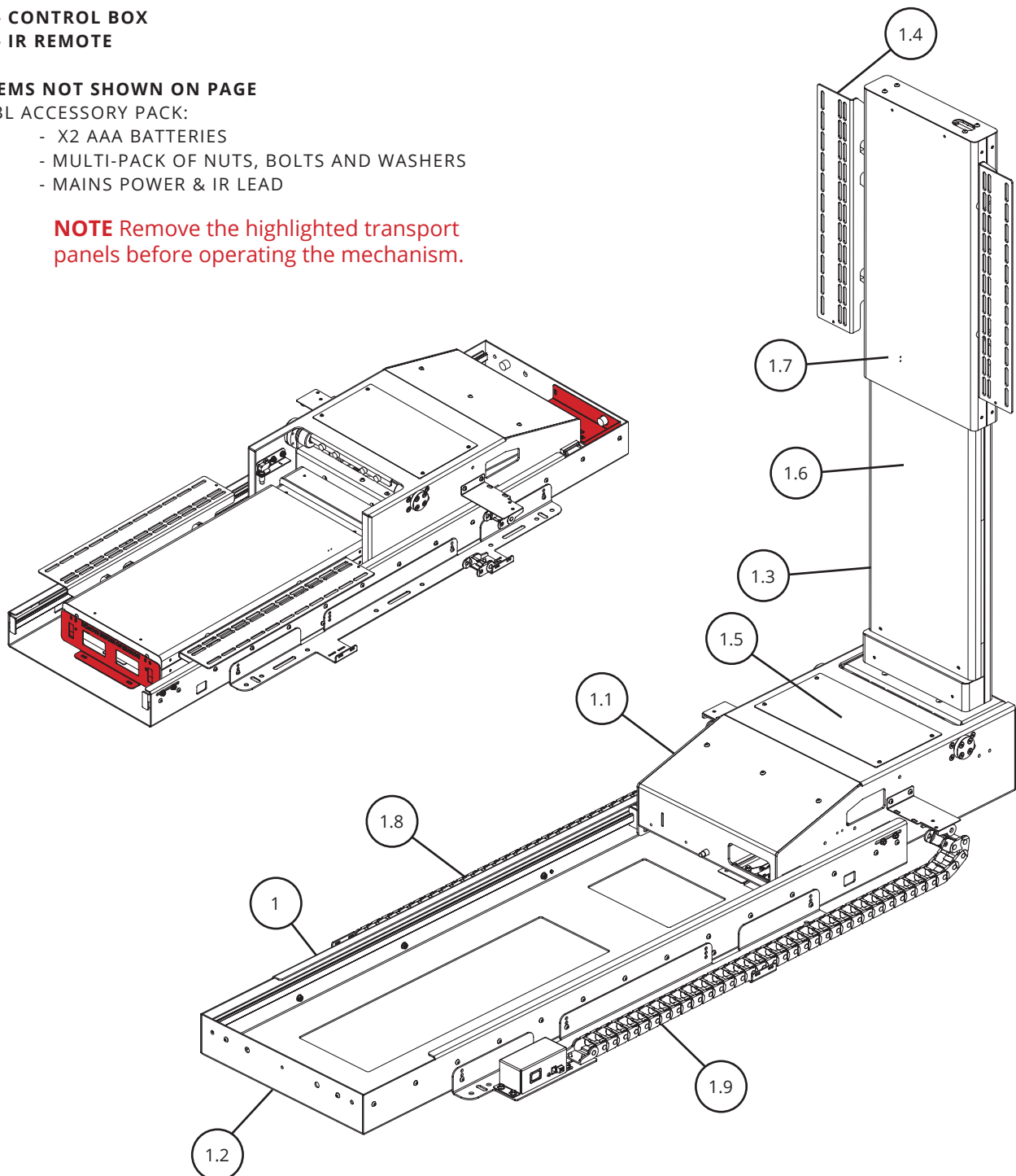
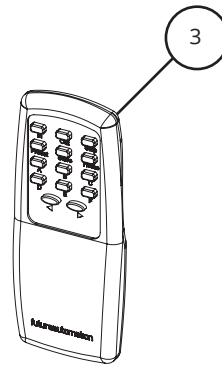
## 3 - IR REMOTE

### ITEMS NOT SHOWN ON PAGE

#### UBL ACCESSORY PACK:

- X2 AAA BATTERIES
- MULTI-PACK OF NUTS, BOLTS AND WASHERS
- MAINS POWER & IR LEAD

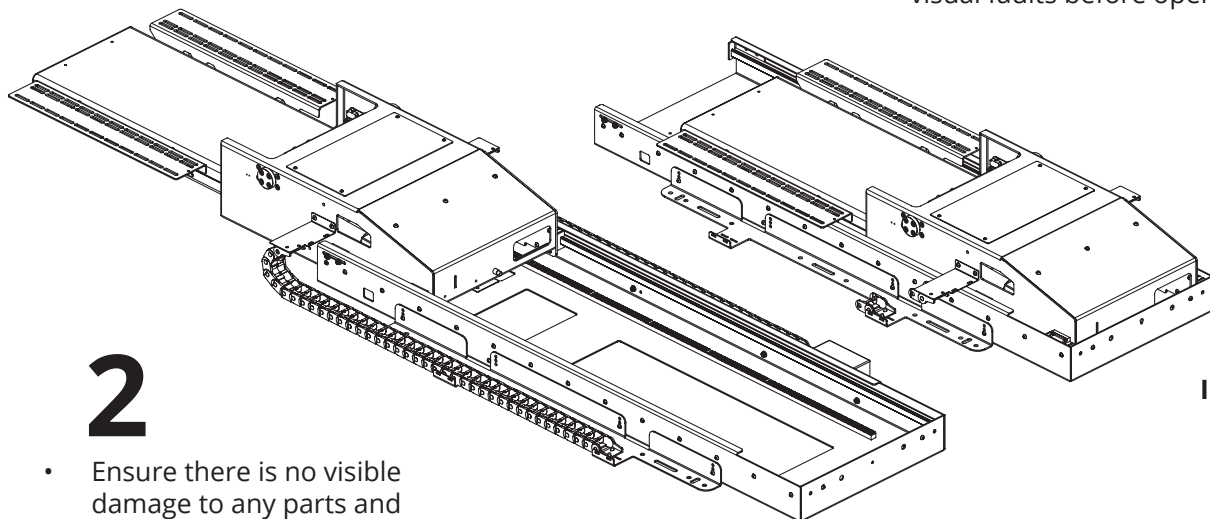
**NOTE** Remove the highlighted transport panels before operating the mechanism.



# INITIAL OPERATION

## 1

- Unpack and check the mechanism fully for any damage or obvious visual faults before operation.

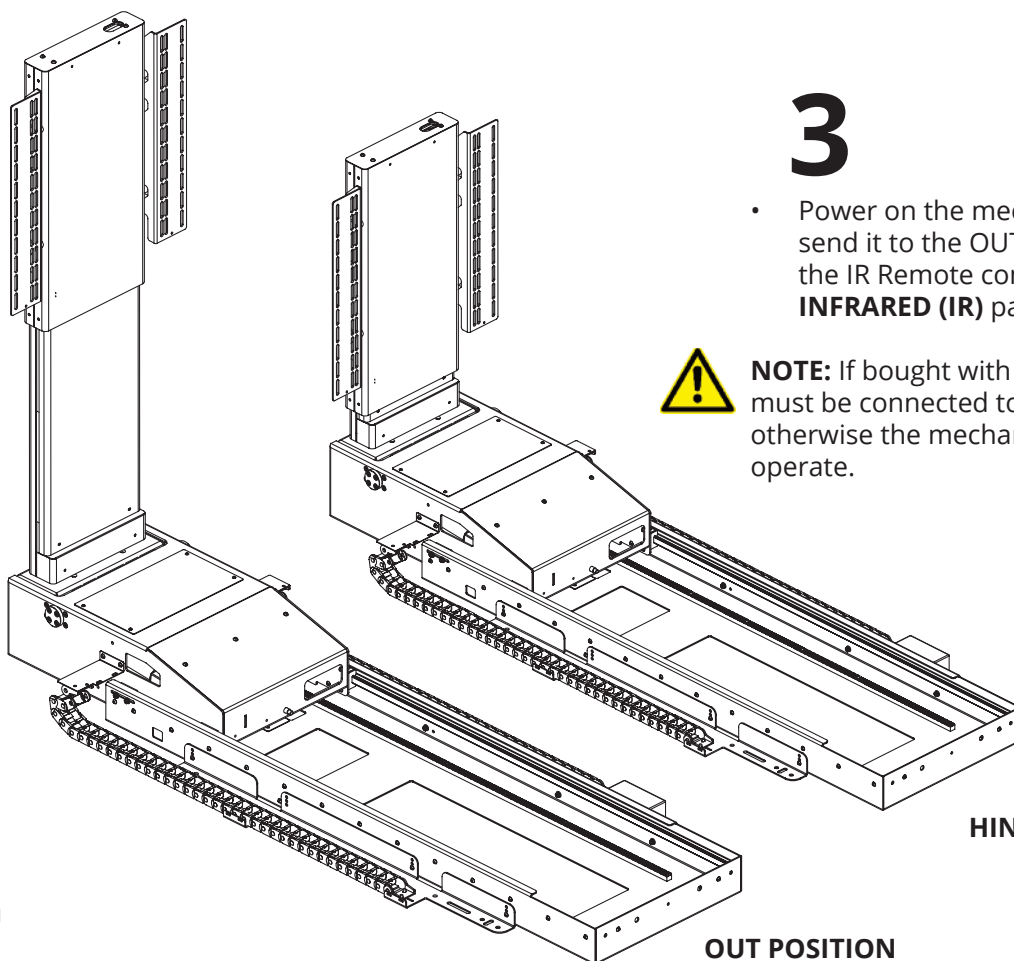


IN POSITION

EXTENDED POSITION

## 2

- Ensure there is no visible damage to any parts and that all wiring is secure.



HINGED POSITION

OUT POSITION

## 3

- Power on the mechanism and send it to the OUT position using the IR Remote control. (Refer to **INFRARED (IR)** page)



**NOTE:** If bought with an EBF the EBF must be connected to the mechanism otherwise the mechanism will not operate.

## 4

- Once tested, keep the mechanism in the OUT position for the next installation stage.

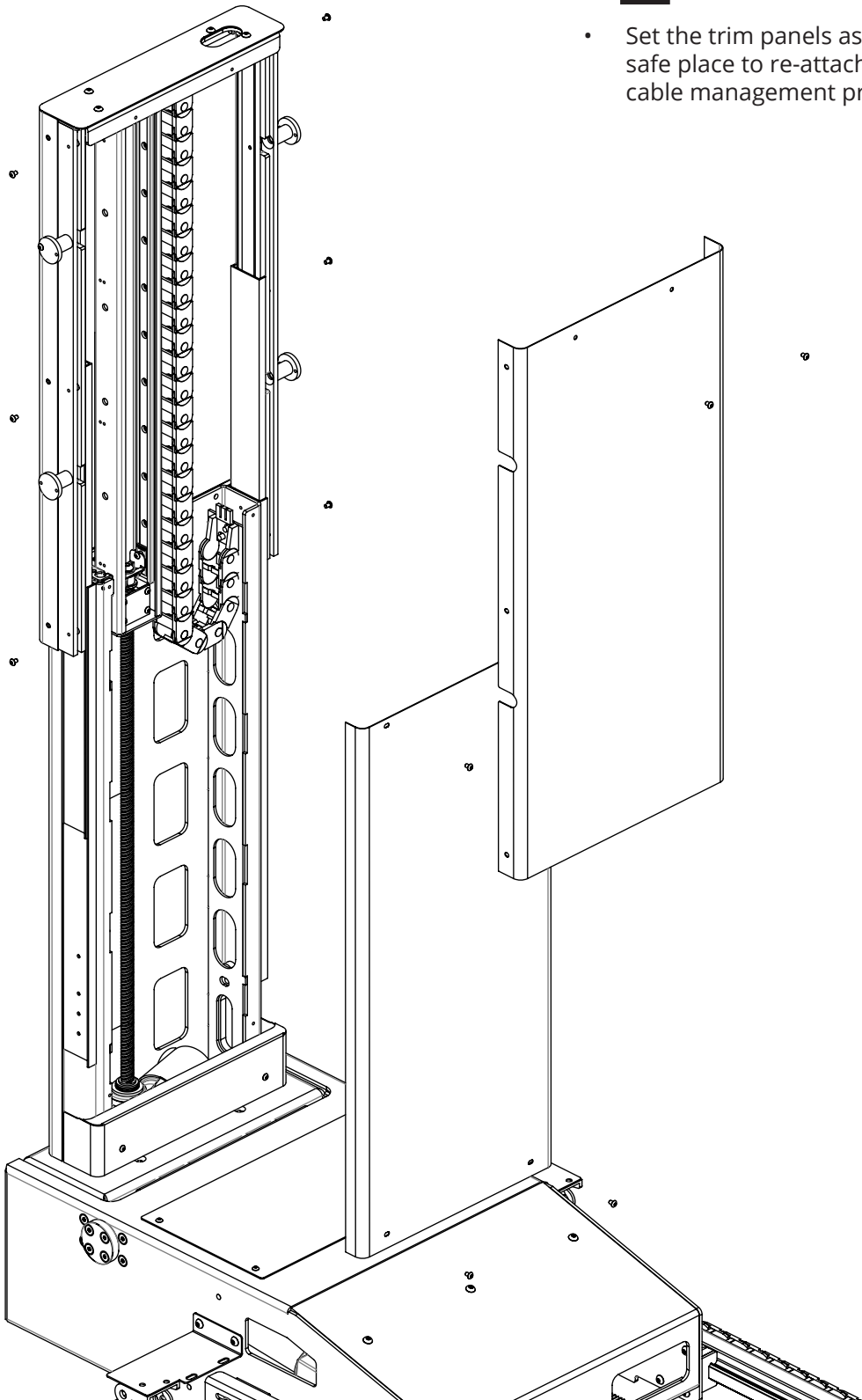
# TRIM PANEL REMOVAL

## 1

- Remove the 14x trim panels screws to gain access to the dedicated cable management chains.

## 2

- Set the trim panels aside in a safe place to re-attach them after cable management preparation.

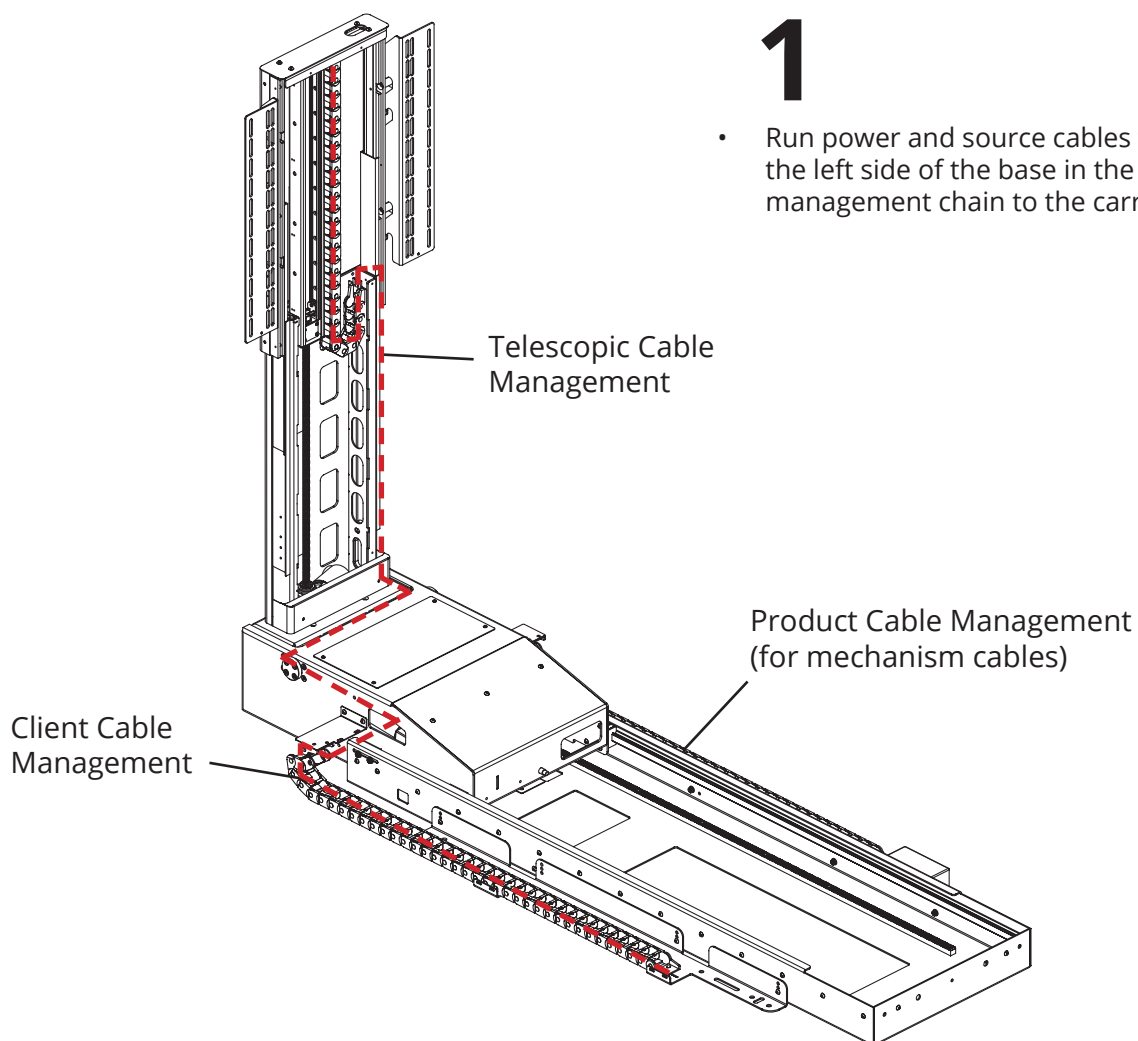




# CABLE MANAGEMENT

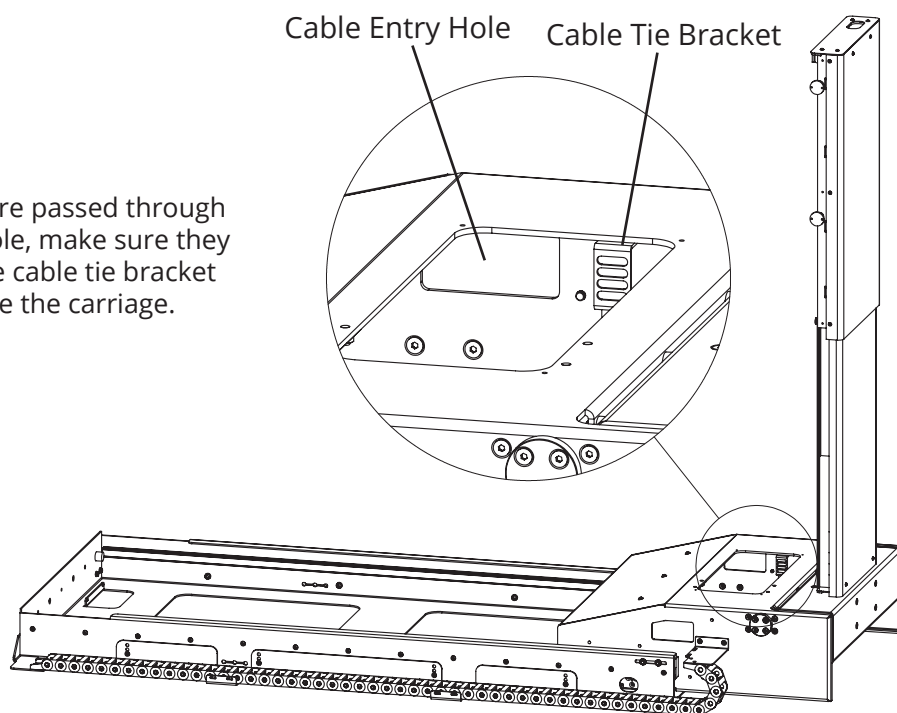
## 1

- Run power and source cables through the left side of the base in the client cable management chain to the carriage.

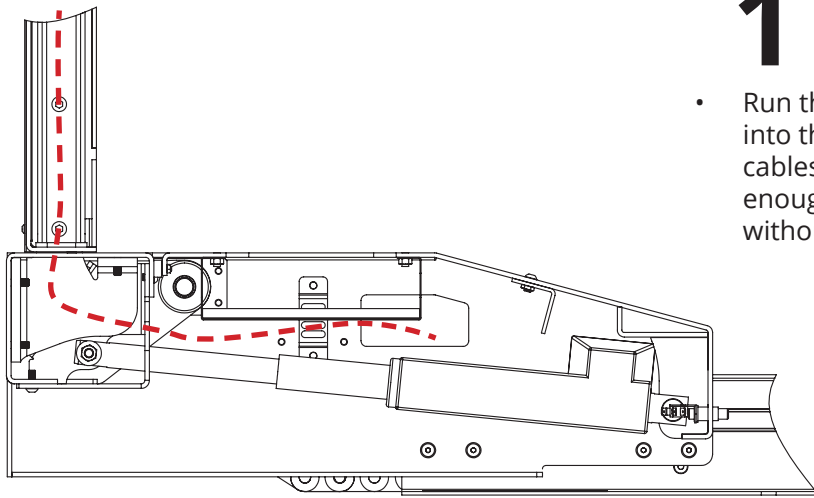


## 2

- Once the cables are passed through the cable entry hole, make sure they are secured to the cable tie bracket immediately inside the carriage.



# CABLE MANAGEMENT (CONT)

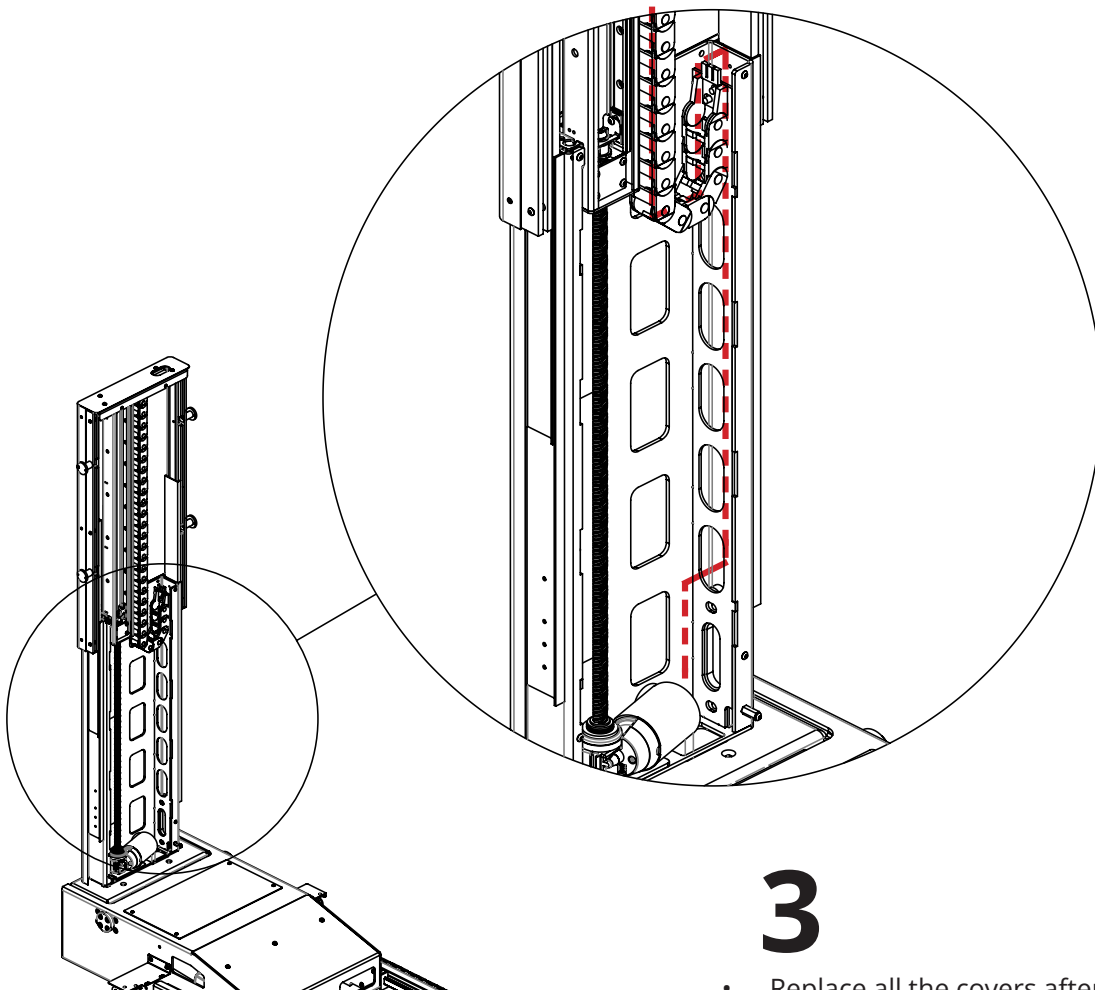


# 1

- Run the cables into the carriage around into the hinge section. Make sure the cables are above the actuator and have enough slack for the hinge movement without straining the cables.

# 2

- Run the cables through the hinge base and into the side channel of the telescopic unit as shown, then run through the cable chain and out the top ready to connect to the screen.



# 3

- Replace all the covers after the cables have been managed

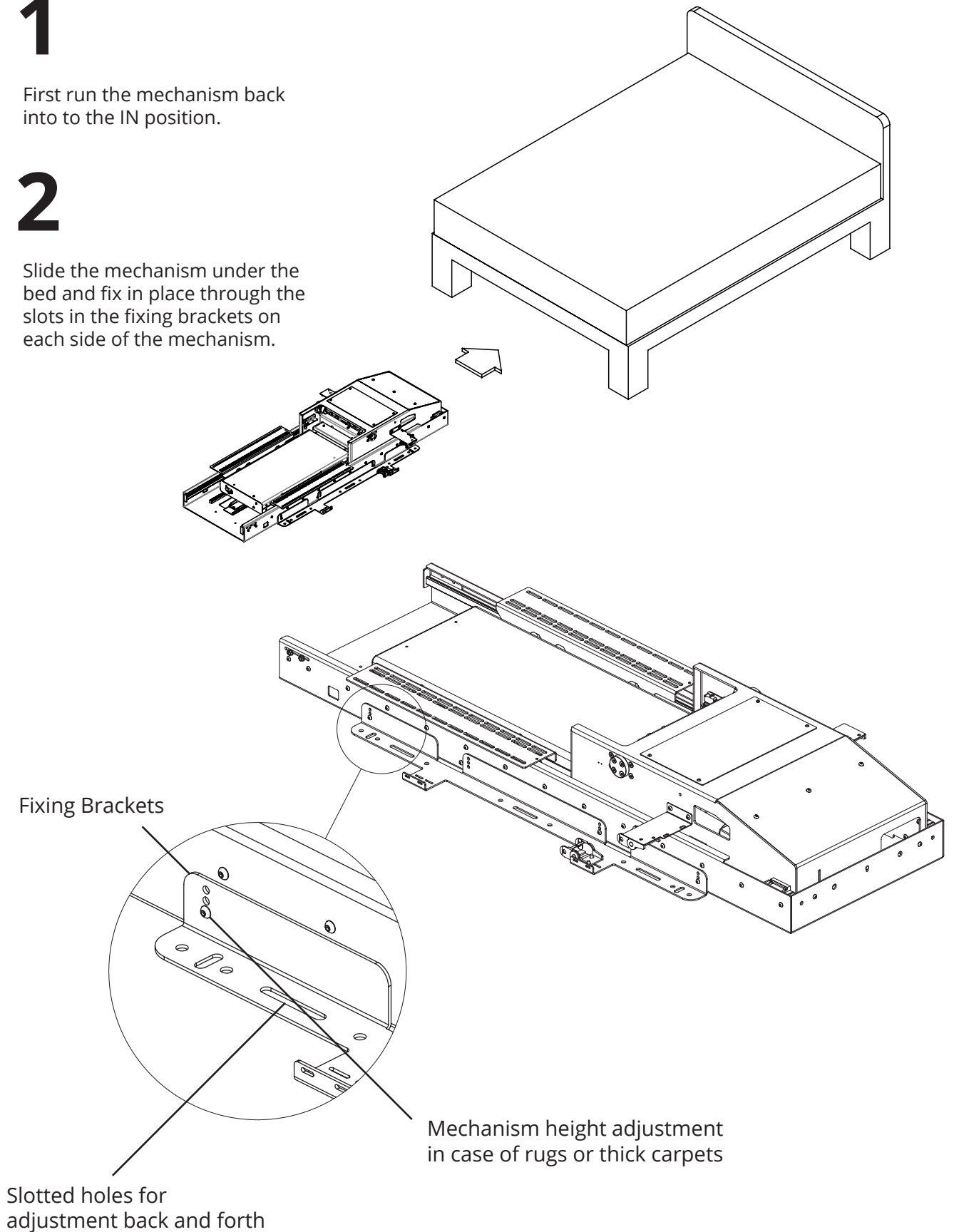
# POSITIONING & FIXING THE MECHANISM

## 1

- First run the mechanism back into to the IN position.

## 2

- Slide the mechanism under the bed and fix in place through the slots in the fixing brackets on each side of the mechanism.



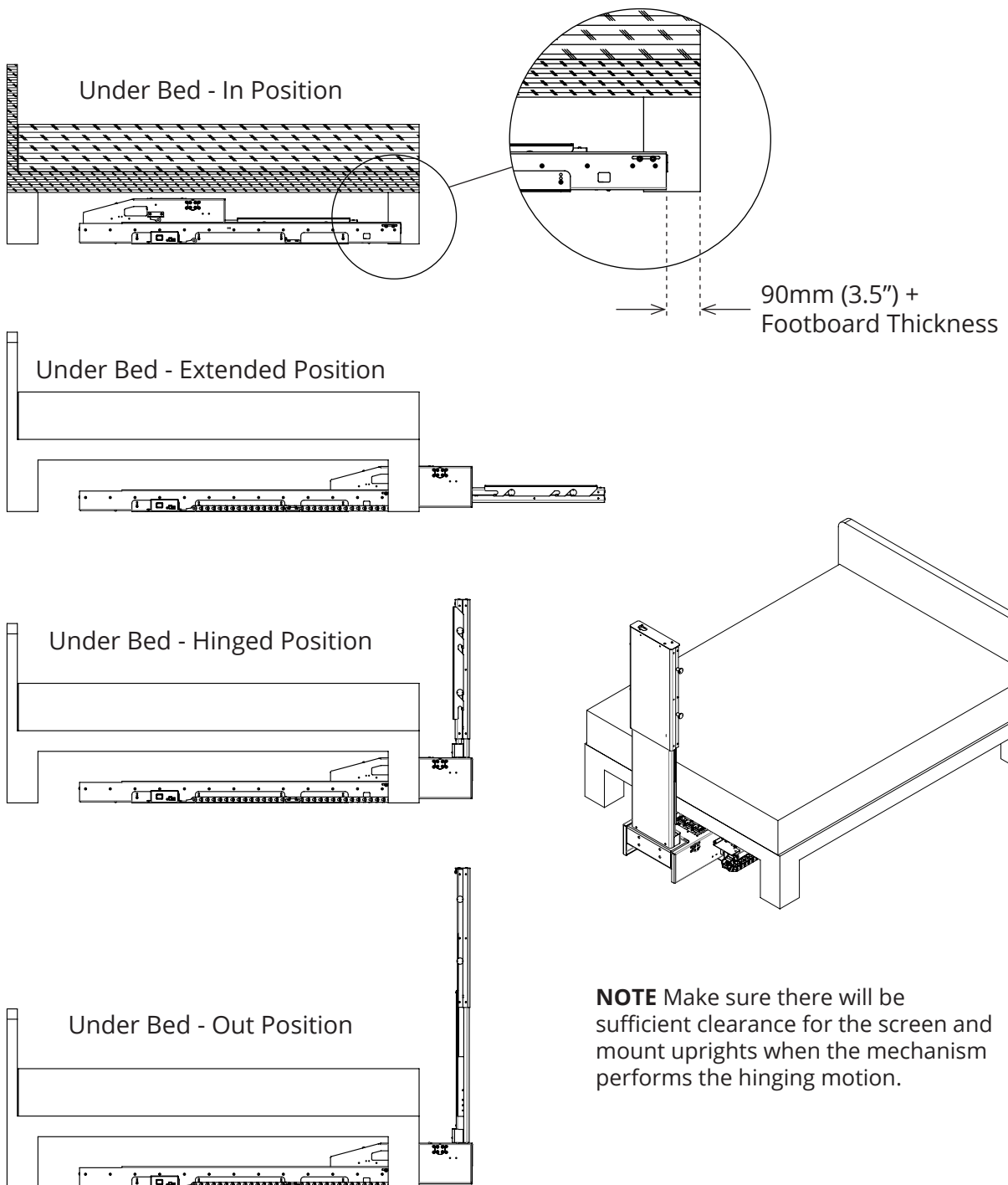
# CHECKING MECHANISM MOVEMENT

## 1

- Send the mechanism into the **OUT** position.

## 2

- Check clearance of mechanism through the movement cycle to ensure it reaches the **OUT** position without hitting any obstacles and has suitable clearance from the floor.



# SCREEN MOUNTING

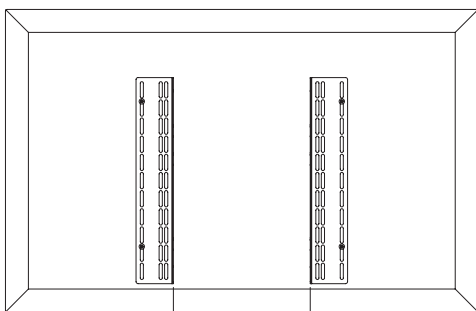
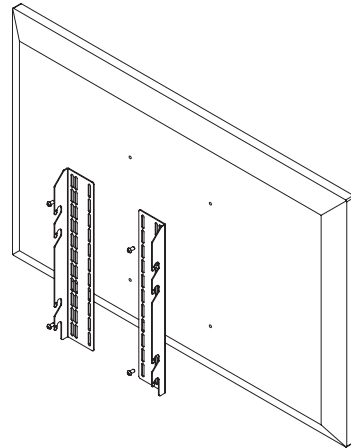
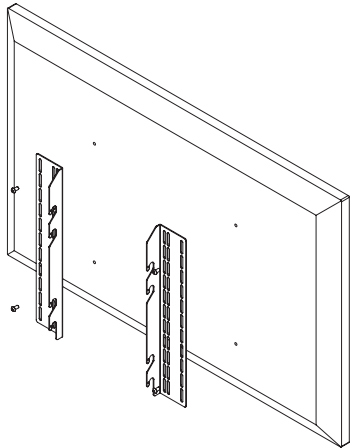
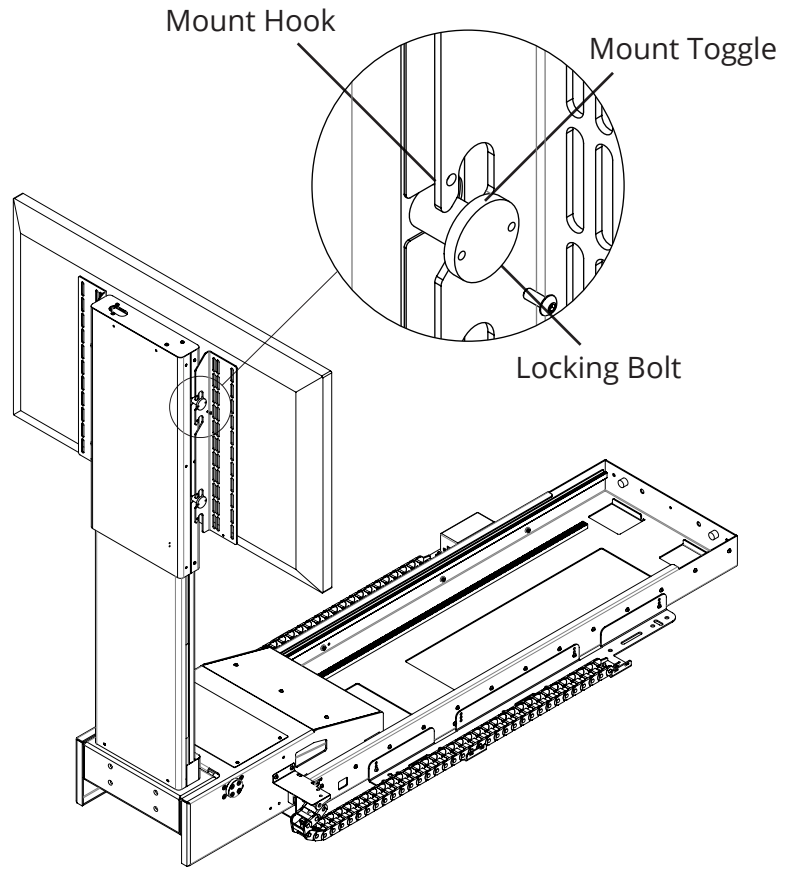
## 1

- Mount the screen uprights to the rear of the display making sure the hooks are 365mm (14.4") apart.

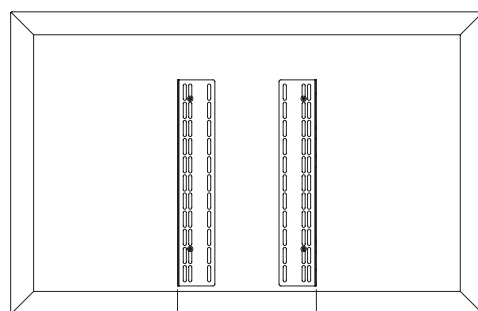
**NOTE** The Flanges can be mounted facing inward or outward to suit the display VESA mounting pattern.

## 2

- Hook over the mounting toggles and secure in place using the Locking Bolt.



365mm (14.4")



365mm (14.4")

# CARRIAGE SWITCH ADJUSTMENT

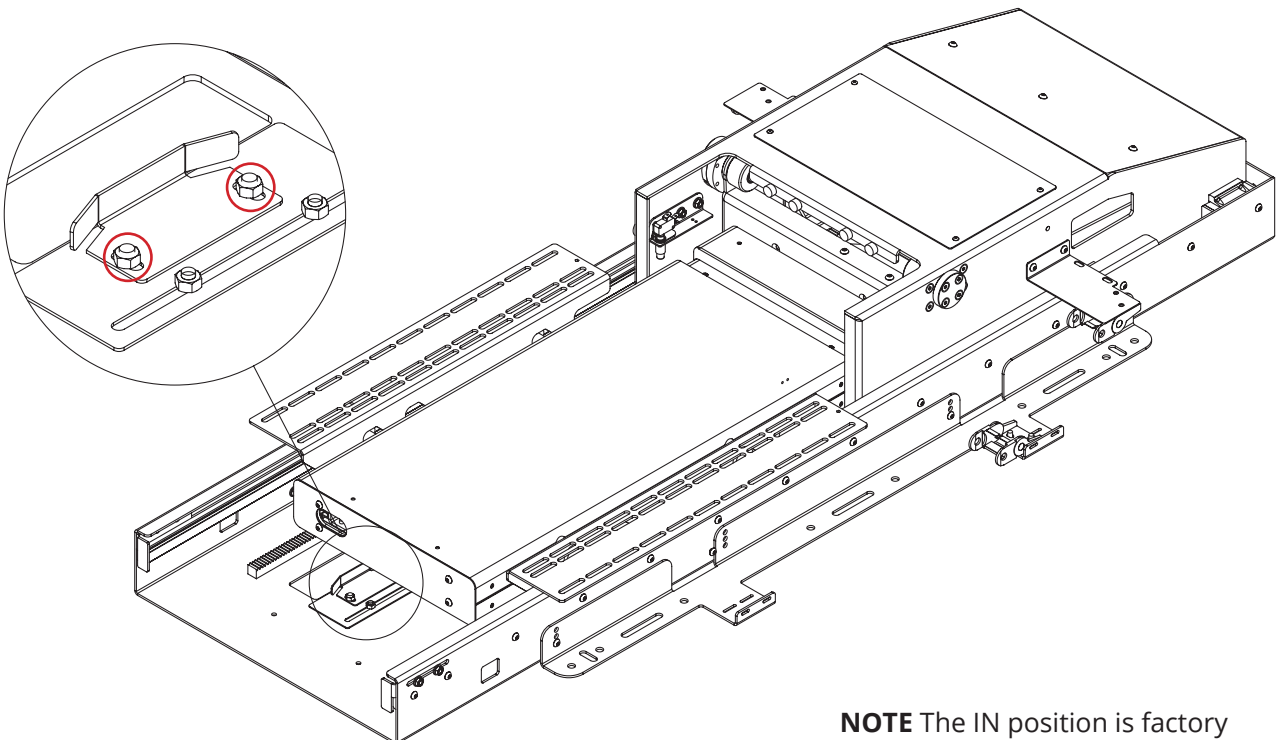
## 1

- To adjust the **OUT** position send the mechanism back to the **IN** position.

**NOTE** Check the clearances of the at all times as the display is now mounted to the mechanism.

## 2

- Loosen the two nuts holding the bracket and slide the bracket to increase or decrease the sliding travel movement.



**NOTE** The IN position is factory set and is non-adjustable.

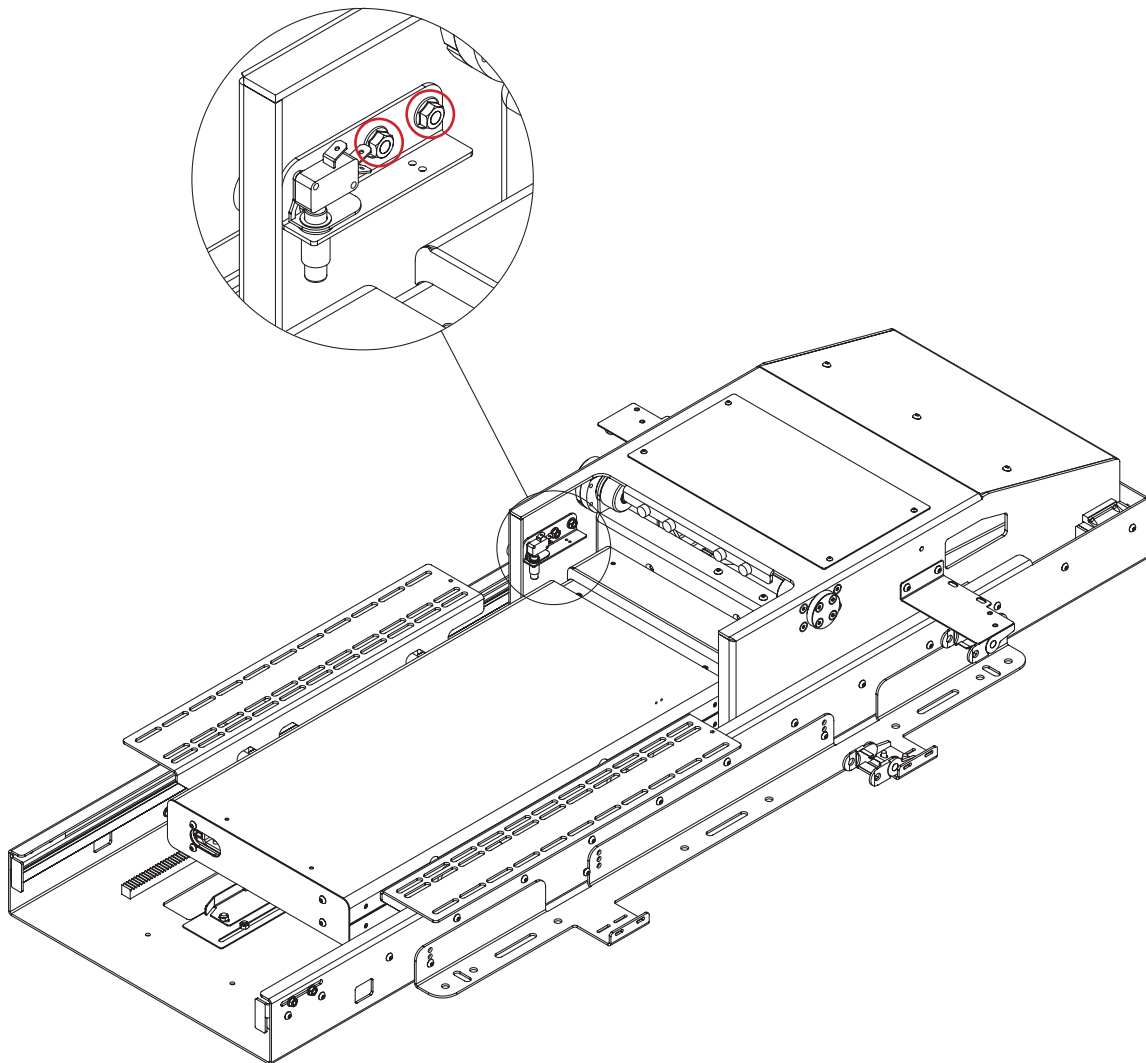
# UP HINGE ADJUSTMENT

## 1

- To adjust the hinge UP position send the mechanism fully IN to reveal the highlighted switch.

## 2

- Loosen the two nuts located below the carriage which hold the switch bracket and slide to adjust UP position angle.



# DOWN HINGE ADJUSTMENT

## 1

- Run the mechanism to the fully OUT position.

## 2

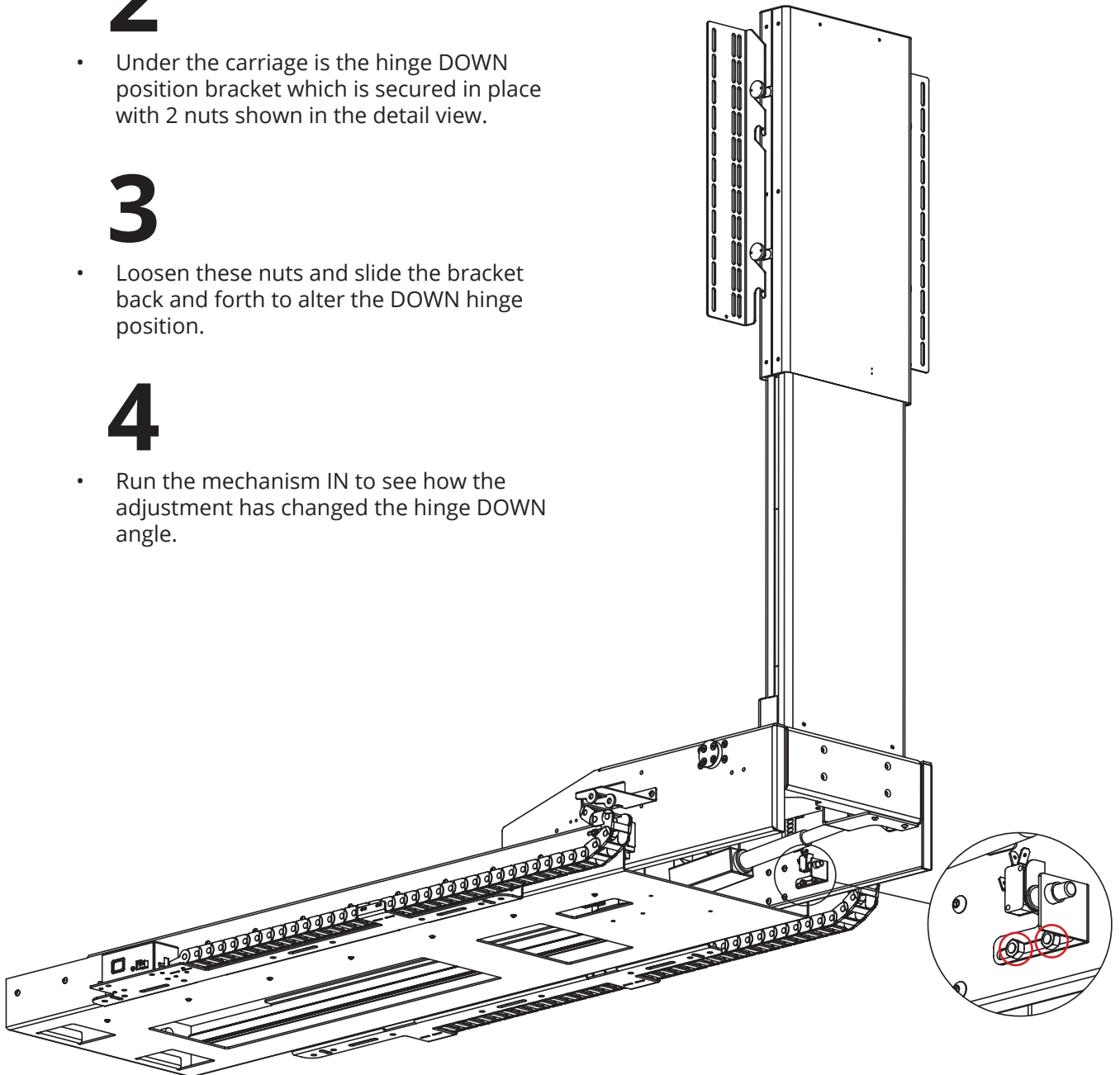
- Under the carriage is the hinge DOWN position bracket which is secured in place with 2 nuts shown in the detail view.

## 3

- Loosen these nuts and slide the bracket back and forth to alter the DOWN hinge position.

## 4

- Run the mechanism IN to see how the adjustment has changed the hinge DOWN angle.





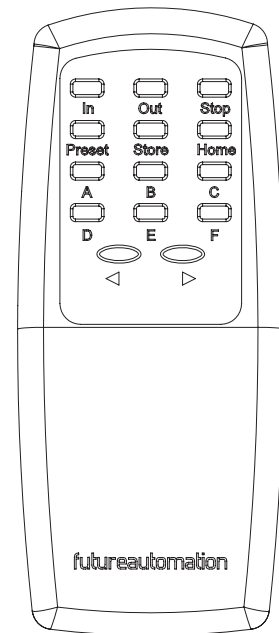
# TELESCOPIC HEIGHT ADJUSTMENT

## 1

- Stop the telescope at the desired height using the 'STOP' button on the remote.

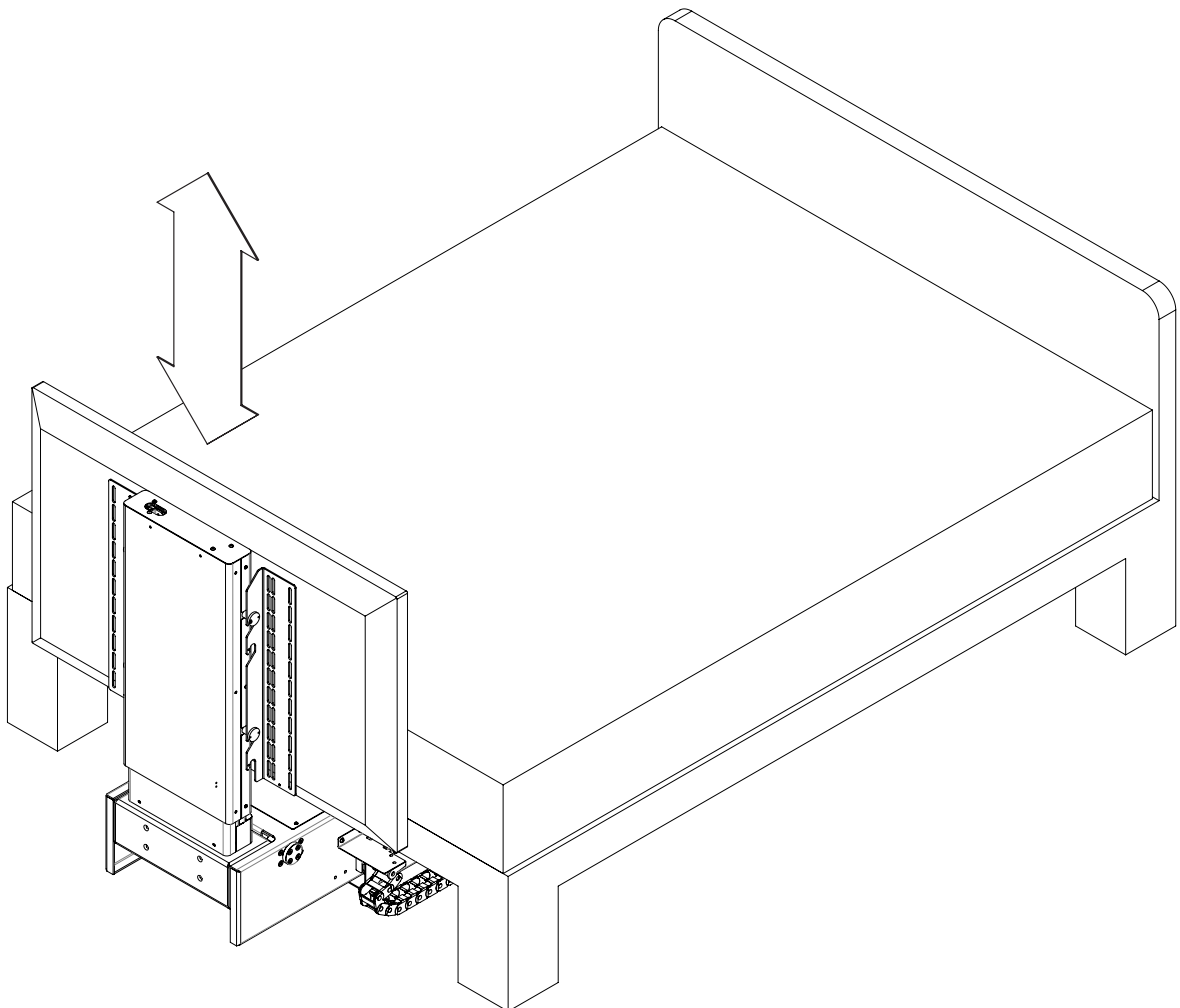
## 2

- Use the commands listed below to save the new height on the included IR remote.



**STORE + OUT** - Stores current height position when stopped.

**STORE + STOP + OUT** - Clears stored height position.



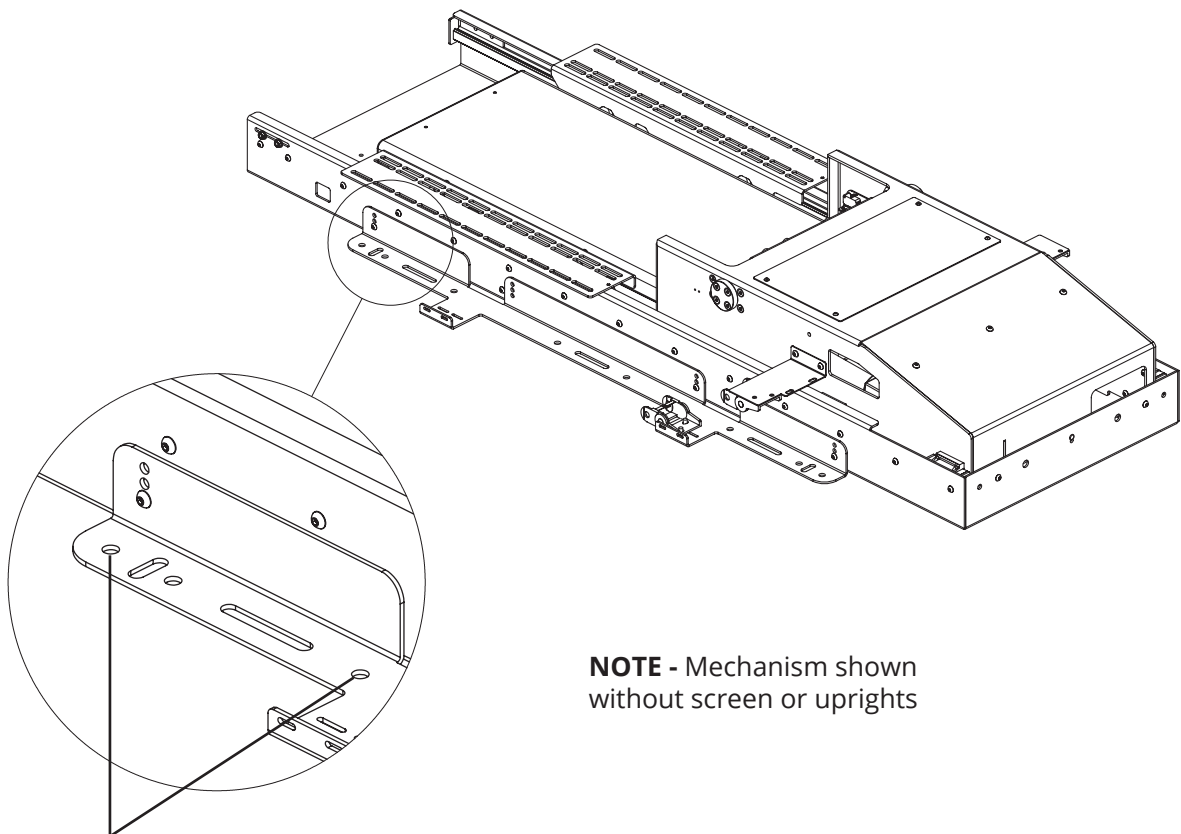
# FINAL FIXINGS

## 1

- Fix the mechanism in place using the final fixing holdes along the fixing brackets on either side of the mechanism.

## 2

- Perform final visual checks to ensure that the mechanism is safe and secure before operating.



Final Fixing  
Holes / Slots

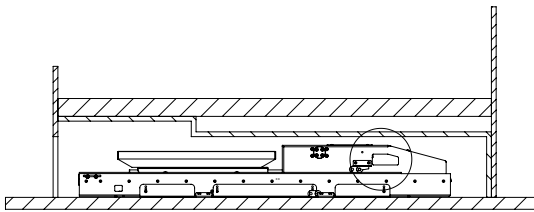
**NOTE** - Mechanism shown  
without screen or uprights



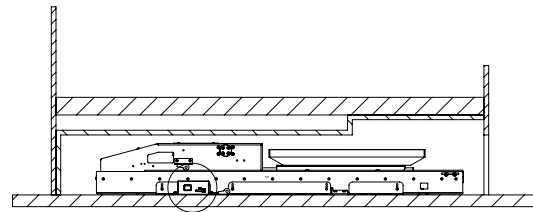
Make sure to always keep the mechanisms  
movement path free from obstacles and  
clutter to avoid damaging the mechanism.

# GENERAL CONTROL

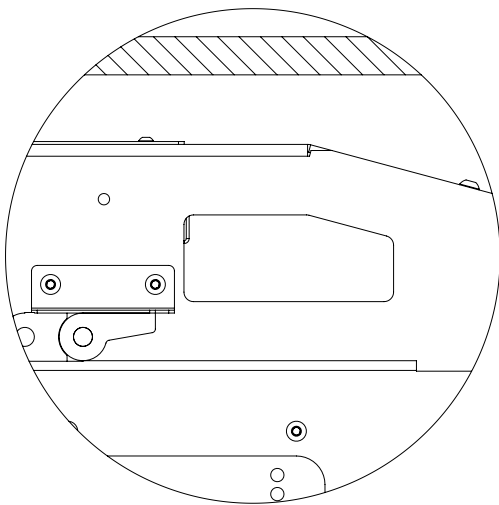
**DETAIL A** shows the hole which customer cabling will enter the mechanism after being passed through the cable management track. **DETAIL B** shows where the mains power, IR and ethernet cables will need to be inseted.



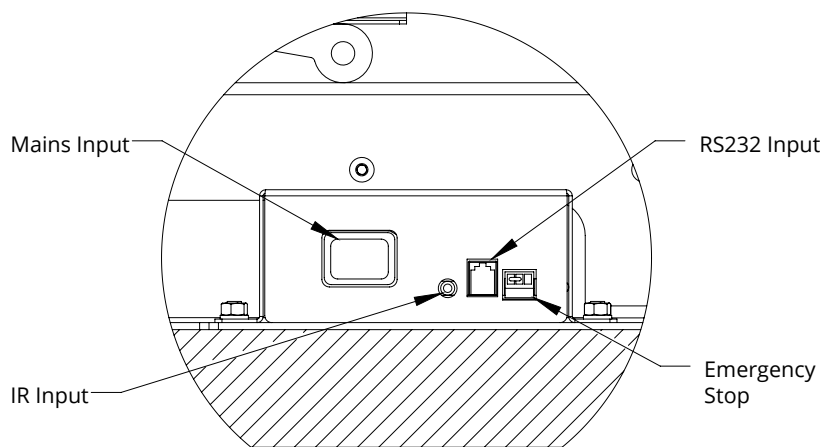
A



B



DETAIL A



DETAIL B

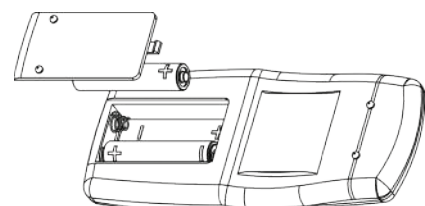
## MECHANISM EMERGENCY STOP CONNECTOR

This mechanism features an Emergency Stop Connector, which **MUST** be plugged into the control box in the connector labelled above for the mechanism to operate. If this connector is not plugged in, the Input Confirmation LED will be permanently lit. As per the red plastic tag attached to the Emergency Stop Connector (and shown below), the small loop of wire in this connector is designed to be replaced by a third party safety mechanism.



## REPLACING MECHANISM BATTERIES

The standard Future Automation Infrared (IR) remote control required x2 AAA batteries to operate. These are provided with the mechanism in the Accessories Pack. These batteries can be replaced as the per the image below.



# INFRARED (IR)

This mechanism can be controlled via the supplied 14 button Infrared (IR) Remote Control, paired with the supplied Infrared (IR) lead and sensor.

The mechanism's functions can be controlled by plugging the Infrared (IR) lead and sensor into the 3.5mm IR Input Jack shown on the General Control page.

Confirmation of Infrared (IR) input will be shown by a single flash of the large green LED located on the end of the control box.

As Infrared (IR) control works over line of site, the Infrared (IR) sensor must be directly viewable from what ever location the remote control is being used from.

## Infrared (IR) Remote Control Button Layout

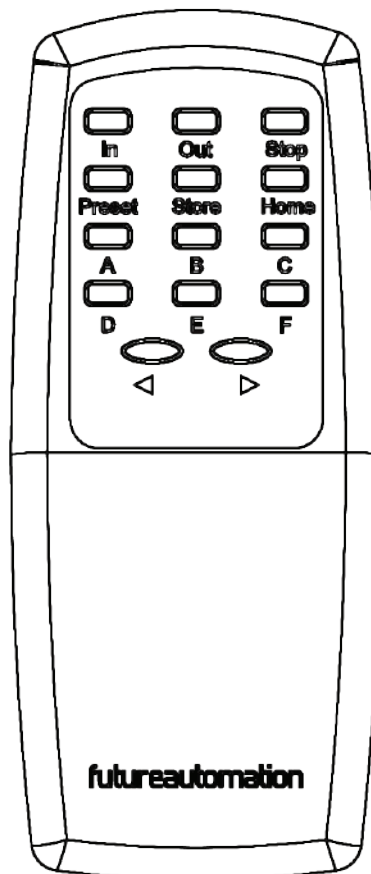
**IN** - Brings the mechanism under the bed.

**OUT** - Brings the mechanism out from under the bed.

**STOP** - Will stop the operation of the mechanism at ANY position.

**STORE + OUT** - Stores current height position when stopped.

**STORE + STOP + OUT** - Clears stored height position.



### IMPORTANT

Only buttons indicated above are functional with the product. Any other button press will STOP the mechanism.

# RADIO FREQUENCY (RF)

If purchased with the Radio Frequency (RF) control option, this mechanism can be controlled via the supplied 4 button Radio Frequency (RF) Remote Control, paired with the in-built Radio Frequency (RF) sensor.

Confirmation of Radio Frequency (RF) input will be shown by a single flash of the large green LED located on the end of the control box.

Radio Frequency (RF) control does not require line of site, but signal can be affected by cabinet thickness, cabinet material or other electronic signals (i.e. strong WIFI signals).

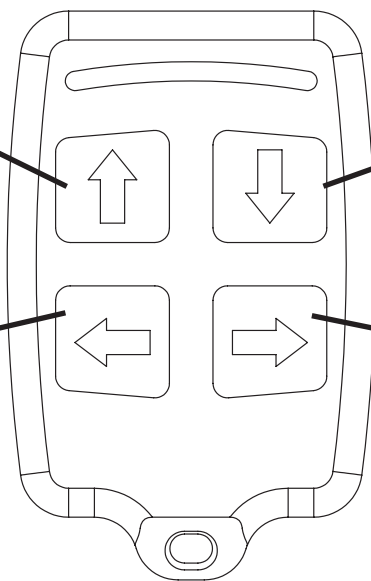
## Radio Frequency (RF) Remote Control Button Layout

**IN** - Brings the mechanism into the cabinet.

**OUT** - Brings the mechanism out of the cabinet.

**STOP** - Will stop the operation of the mechanism at ANY position.

**STOP** - Will stop the operation of the mechanism at ANY position.



The Radio Frequency (RF) Remote Control can only be used to recall the above functions.

**The mechanism limits and preset positions must be programmed using the supplied Infrared (IR) Remote Control.**

### **IMPORTANT**

Pressing any button while the mechanism is moving will STOP the mechanism.

# RS232 CONTROL

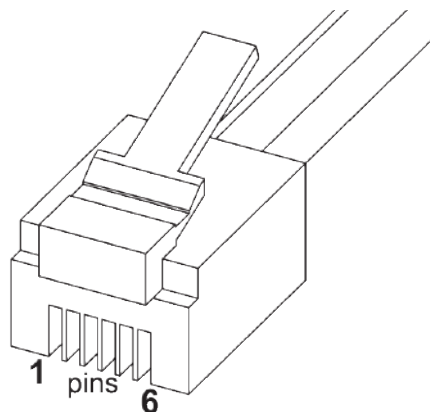
This Mechanism can be controlled via RS232, utilising a 6 Pin RJ11/RJ25 connector OR 9 Pin Serial connector attached to a length of 6 core cable.

The mechanism's functions can be controlled by plugging this into the RJ11/RJ25 port on the mechanism control box, then inputting the RS232 commands shown in the RS232 Input Table below.

Confirmation of Contact Closure input will be shown by a single flash of the large green LED located on the end of the control box.

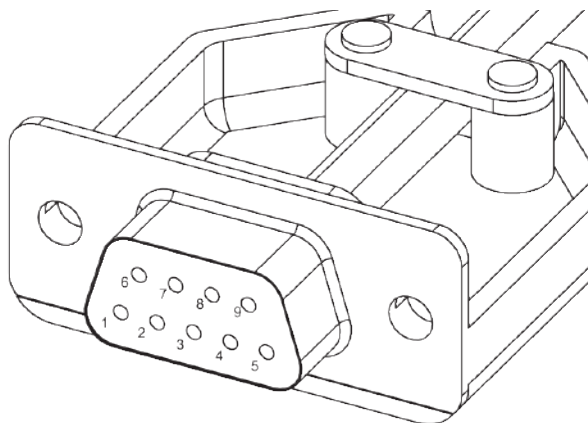
## RJ11/RJ25 PIN LAYOUT

- PIN 1: RX**
- PIN 6: TX**
- PIN 3 & 4: GROUND**



## SERIAL PIN LAYOUT

- PIN 2: RX**
- PIN 3: TX**
- PIN 5: GROUND**



## RS232 PROGRAMMING DETAILS

Baud Rate: 9600

Stop Bit: 1

Parity: None

Databits: 8

RJ11/RJ25	Func.	9 PIN Serial	Colour
PIN 1	TX-RX	PIN 2	Blue
PIN 3	GROUND	PIN 5	Green
PIN 4	GROUND	PIN 5	Red
PIN 6	RX-TX	PIN 3	White

## RS232 INPUT TABLE

**IMPORTANT - Ensure all protocols are entered exactly as written below, including Carriage Return (ENTER / ASCII 13)**

Protocol	Follow Up Protocol	Action
fa_in Carriage Return (Enter / ASCII 13)		Device IN
fa_out Carriage Return (Enter / ASCII 13)		Device OUT
fa_stop Carriage Return (Enter / ASCII 13)		Device STOP (At any position)
fa_store Carriage Return (Enter / ASCII 13)	fa_c Carriage Return (Enter / ASCII 13)	Store Height Position
fa_b Carriage Return (Enter / ASCII 13)		Clears Height Position

# NOTES:

A series of 25 horizontal dotted lines intended for writing notes.



#### **EUROPEAN OFFICE**

**Address:**  
Unit 6-8  
Brunel Road  
Bedford  
Bedfordshire  
MK41 9TG

**Phone:** +44 (0) 1438 833577  
**Email:** [info@futureautomation.co.uk](mailto:info@futureautomation.co.uk)

**Office Hours:**  
Mon - Fri 8:00 to 17:30 GMT  
Saturday & Sunday - Closed

#### **NORTH AMERICAN OFFICE**

**Address:**  
Enterprise Park  
127 Venture Drive  
Dover  
NH  
03820

**Phone:** +1 (603) 742 9181  
**Email:** [info@futureautomation.net](mailto:info@futureautomation.net)

**Office Hours:**  
Mon - Fri 7:00 to 17:00 EST  
Saturday & Sunday - Closed