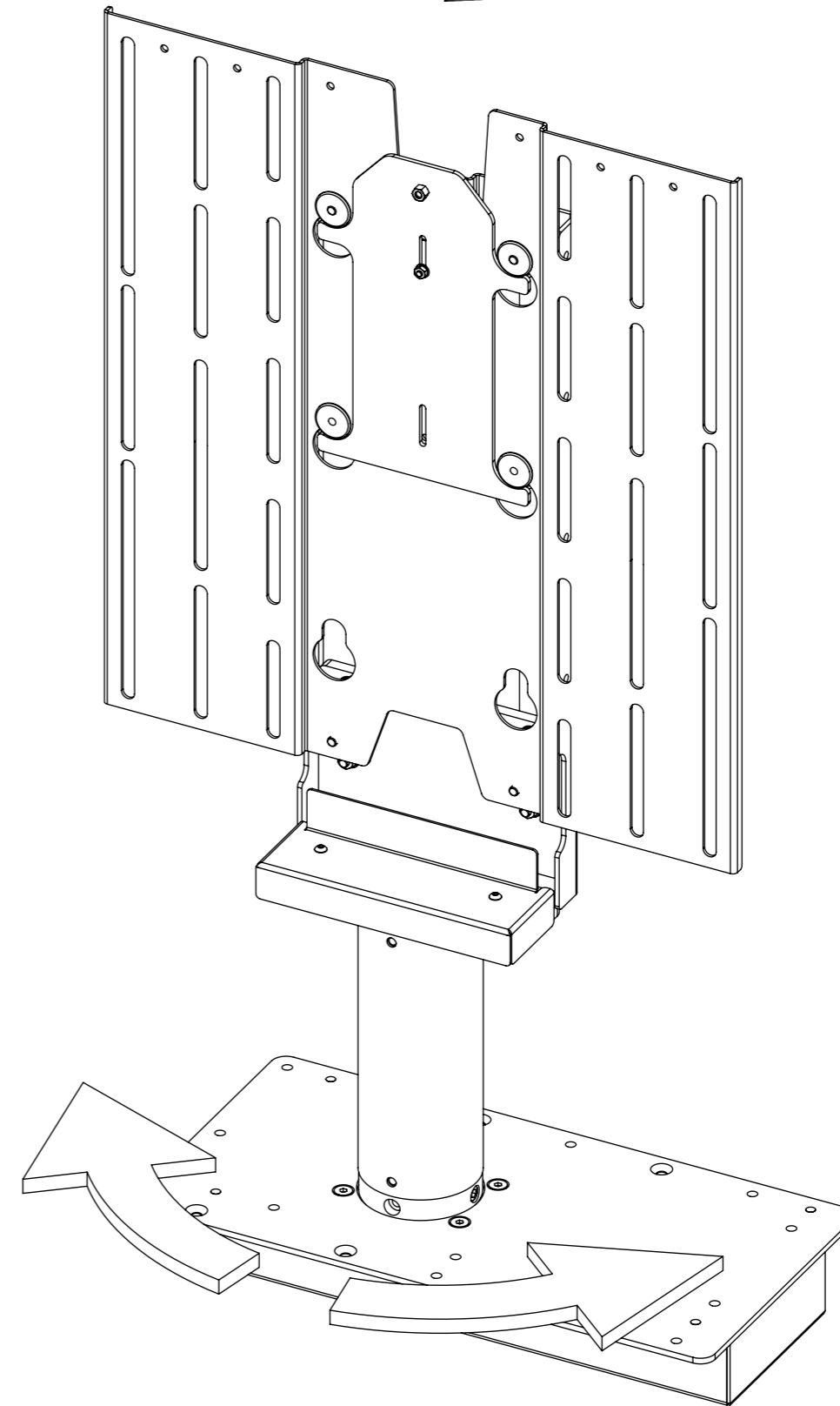
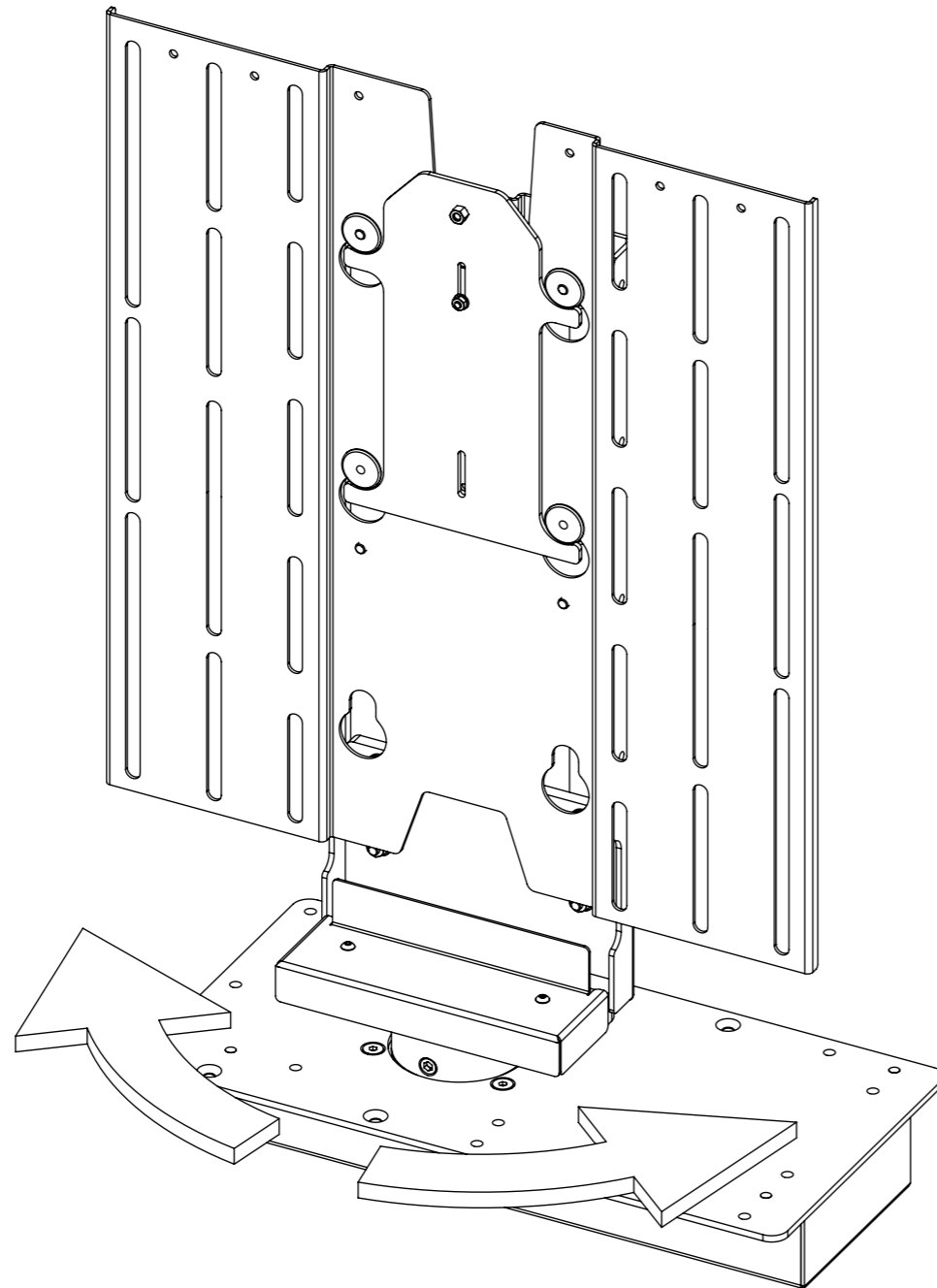


TTR

TABLE TOP ROTATOR



future automation

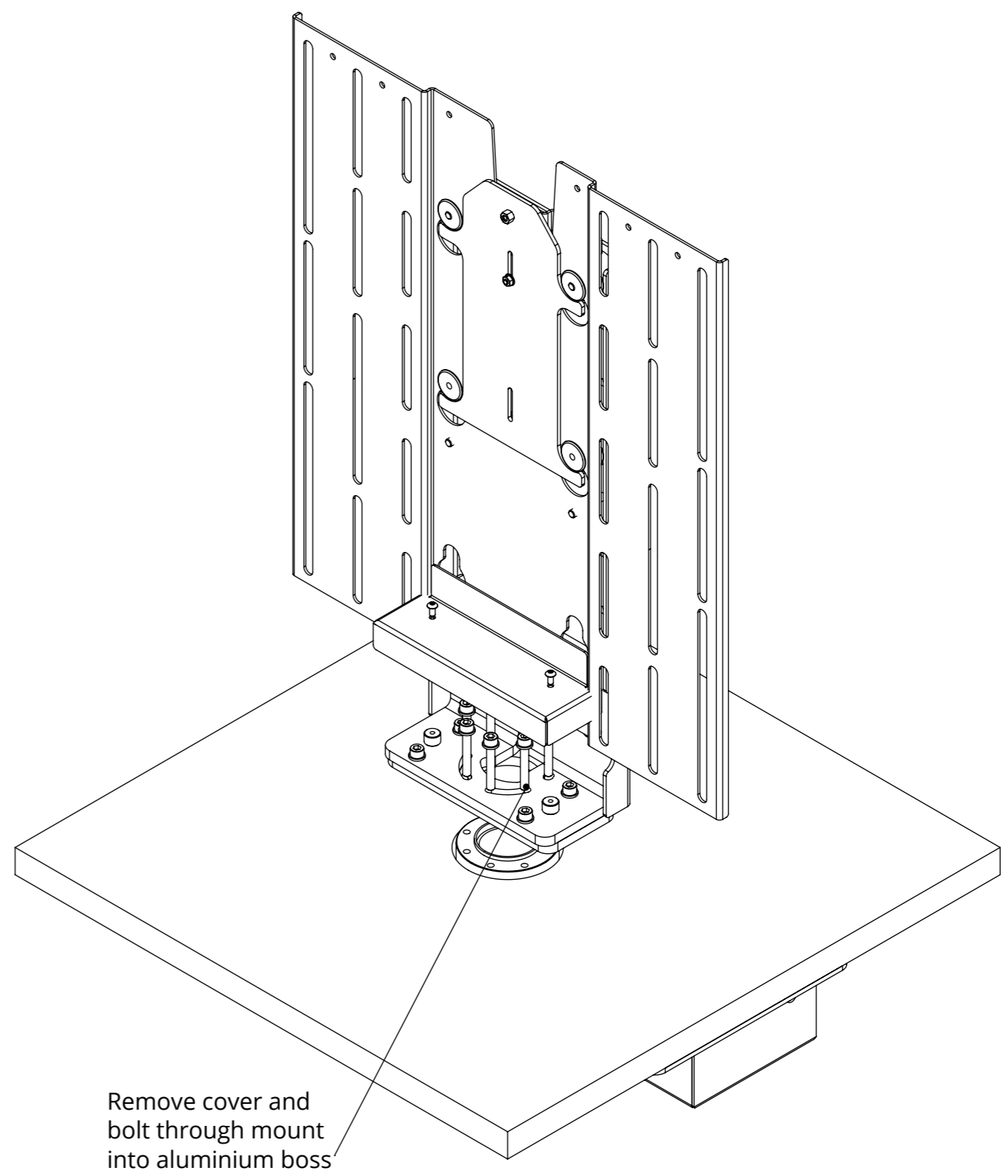
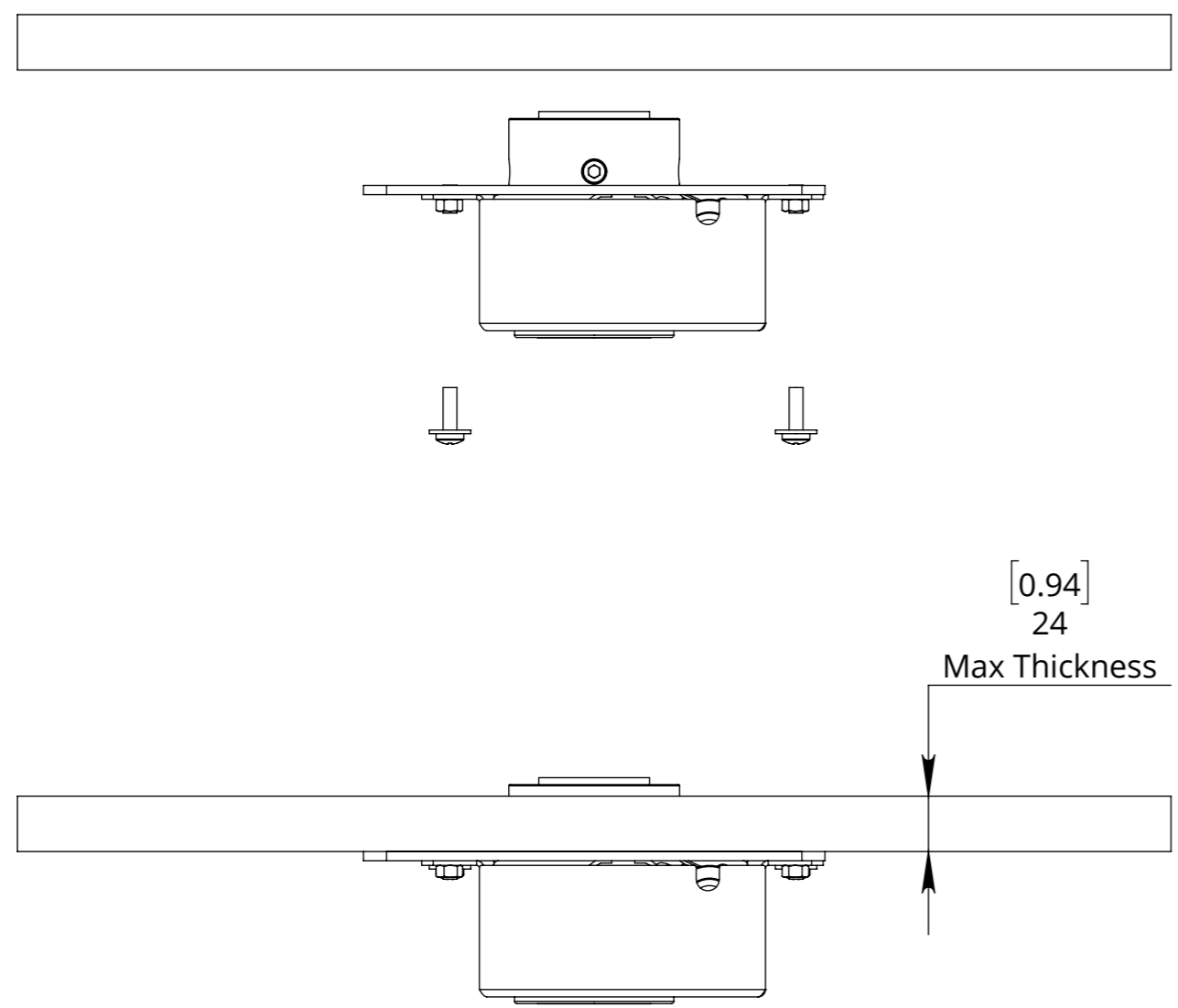


Custom Pole Mount option
available for situations where
extra height is required

TTR

TABLE TOP ROTATOR

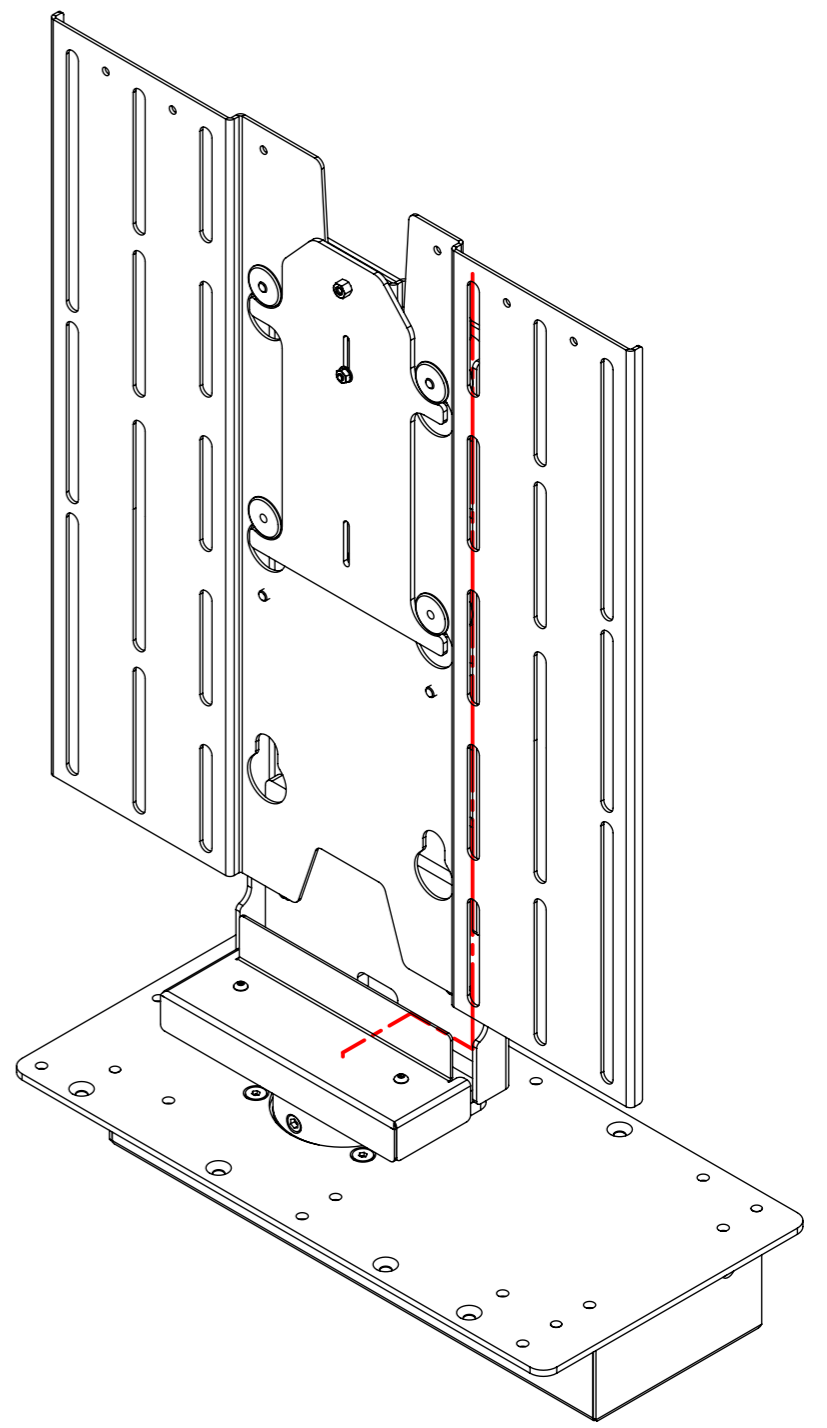
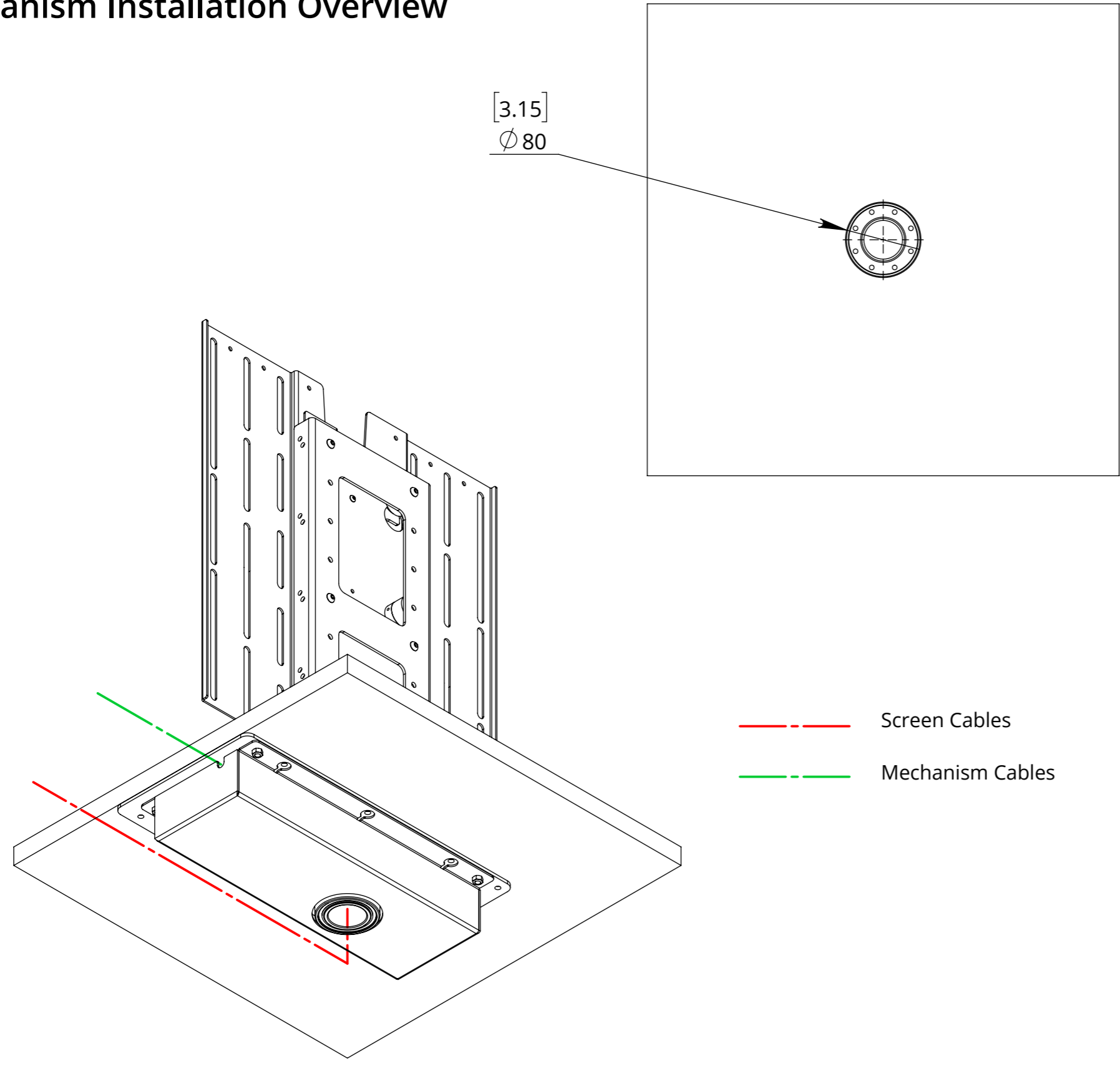
Mechanism Installation Overview



TTR

TABLE TOP ROTATOR

Mechanism Installation Overview



- — — — — Screen Cables
- — — — — Mechanism Cables

TTR

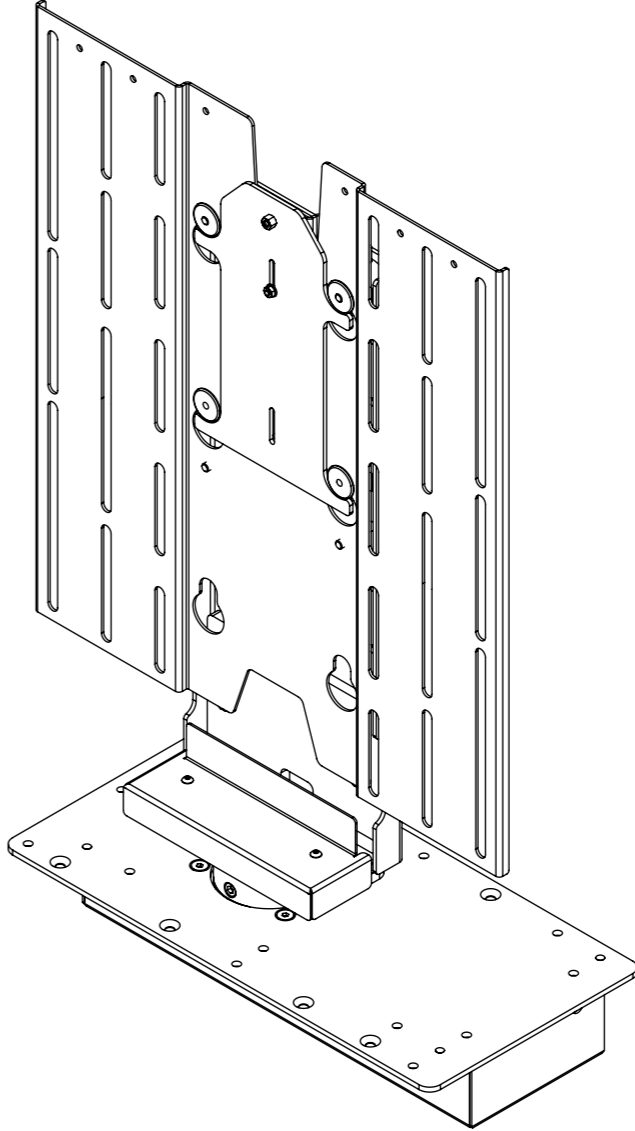
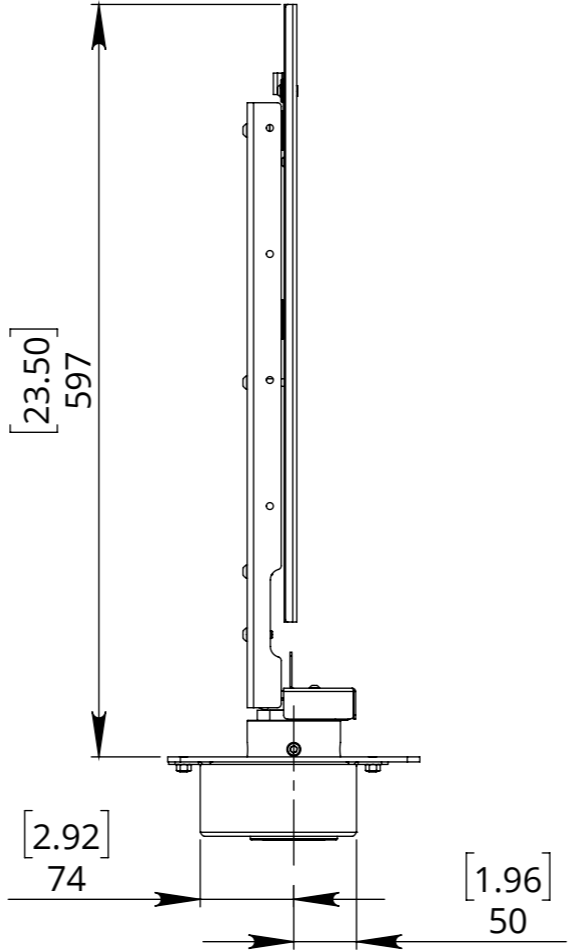
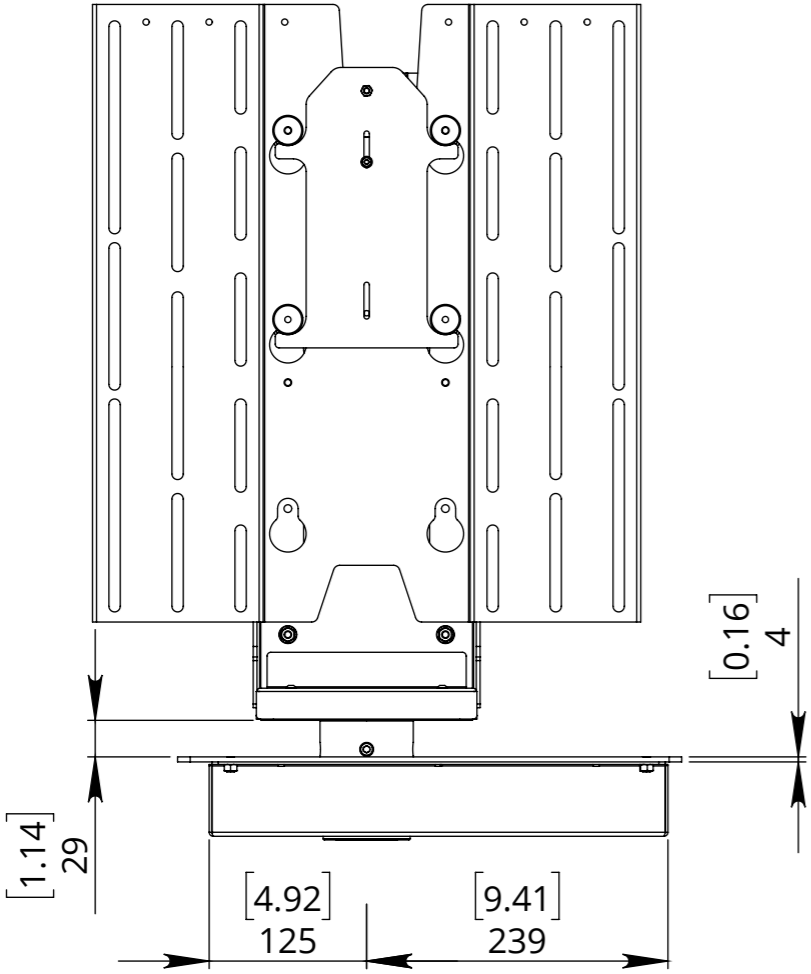
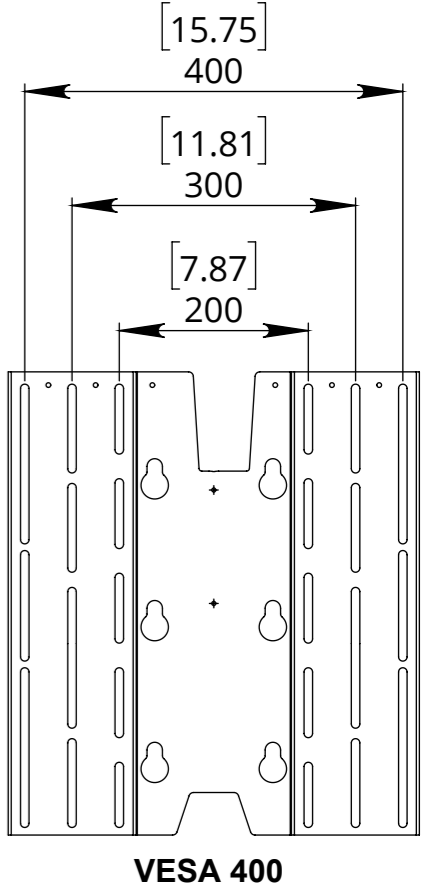
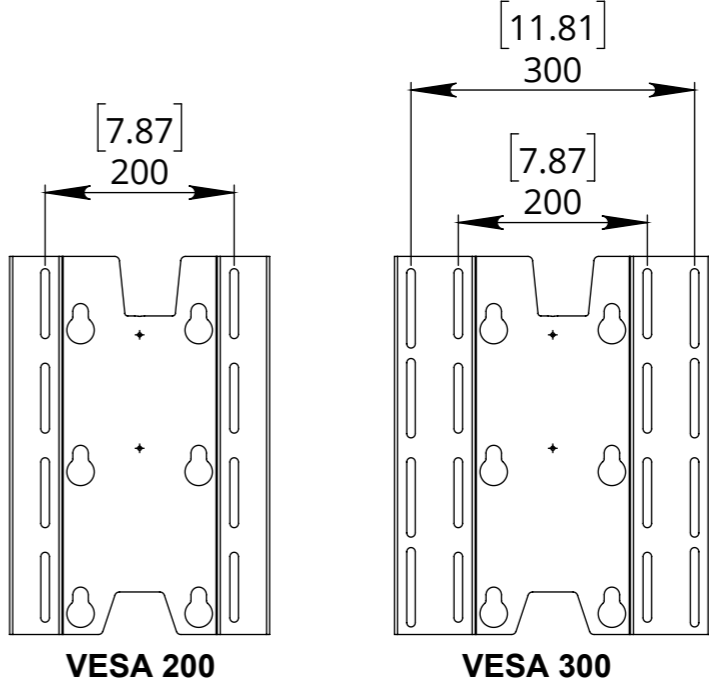
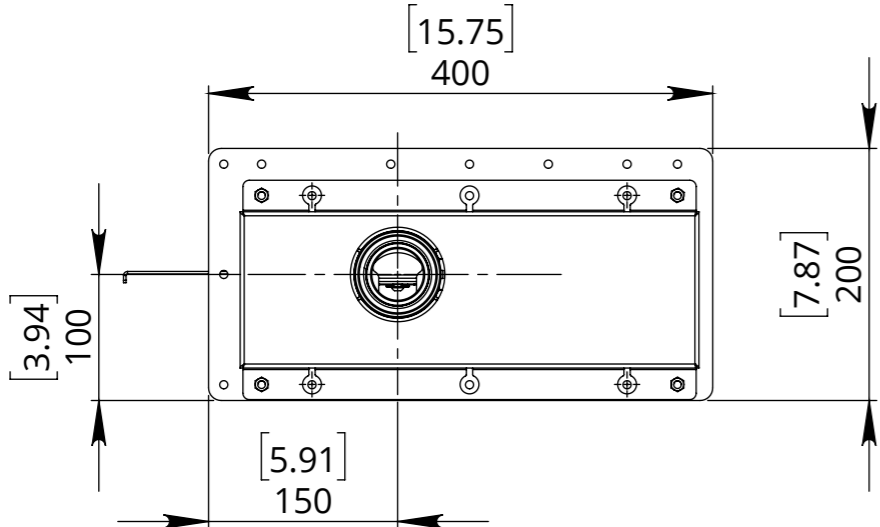
TABLE TOP ROTATOR

Mechanism Dimensions



future automation

Sold as standard with VESA 400, VESA 200 and 300 available upon request

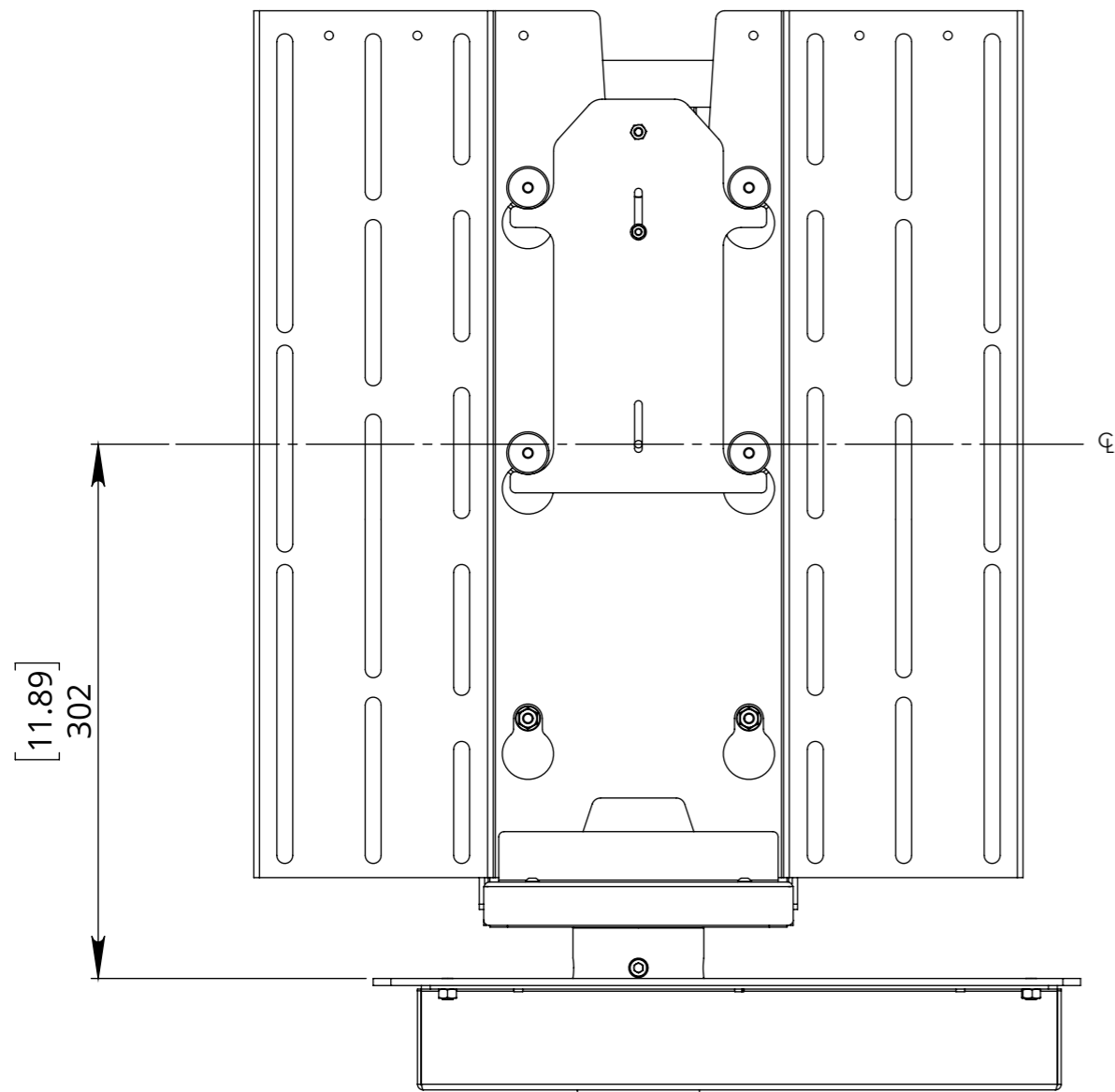


TTR

TABLE TOP ROTATOR

Mechanism Dimensions

VESA LOW



VESA HIGH

