

SAC- Smart Airflow Control



RS232

- Use an RJ25 connector in the socket marked RS232 on the control box to operate using RS232

Details

Baud rate: 9600
 Stop bit: 1
 Parity: None
 Databits: 8

RJ25		9 PIN D
PIN 1: RX	TO	PIN 2: TX
PIN 6: TX	TO	PIN 3: RX
PIN 3: GROUND	TO	PIN 5: GROUND
PIN 4: GROUND	TO	PIN 5: GROUND



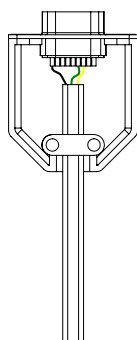
IMPORTANT

Ensure protocol is entered exactly as written, including Carriage Return ← (Enter / ASCII 13) immediately after the last character. After pressing STORE you have a 2 second window to select your save button, after 2 seconds the command is void.

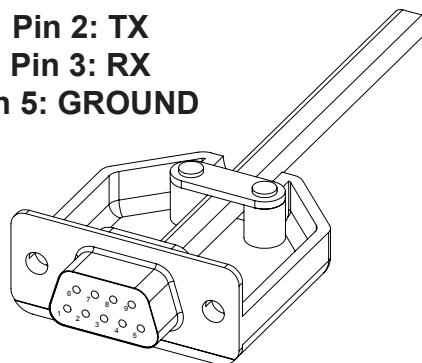
COMMAND	ACTION
scale c ←	Sets temperature control to Centigrade °C (Default)
scale f ←	Sets temperature control to Fahrenheit F
on 28 ←	Turns primary fans on at set temperature (Default set 26 °C)
boost 32 ←	Turns secondary fans on at set temperature (Default set 28 °C)
alarm 36 ←	Alarm will sound at set temperature (Default set 45 °C)
off 22 ←	Turns off all fans on at set temperature (Default set 24 °C)
ENQUIRY	RESPONSE
on ? ←	Shows current set temperature of when fans turn on
boost ? ←	Shows current set temperature of when secondary fans turn on
alarm ? ←	Shows current set temperature of when alarm sounds
off ? ←	Shows current set temperature of when fans turn off
? ←	Shows current temperature
lo ? ←	Shows lowest recorded temperature
hi ? ←	Shows highest recorded temperature
reset hi ←	Resets record of highest temperature
reset lo ←	Resets record of lowest temperature



The command temperature sets shown are just an example



Pin 2: TX
 Pin 3: RX
 Pin 5: GROUND



Pin 1: RX
 Pin 6: TX
 Pin 3 & 4: GROUND