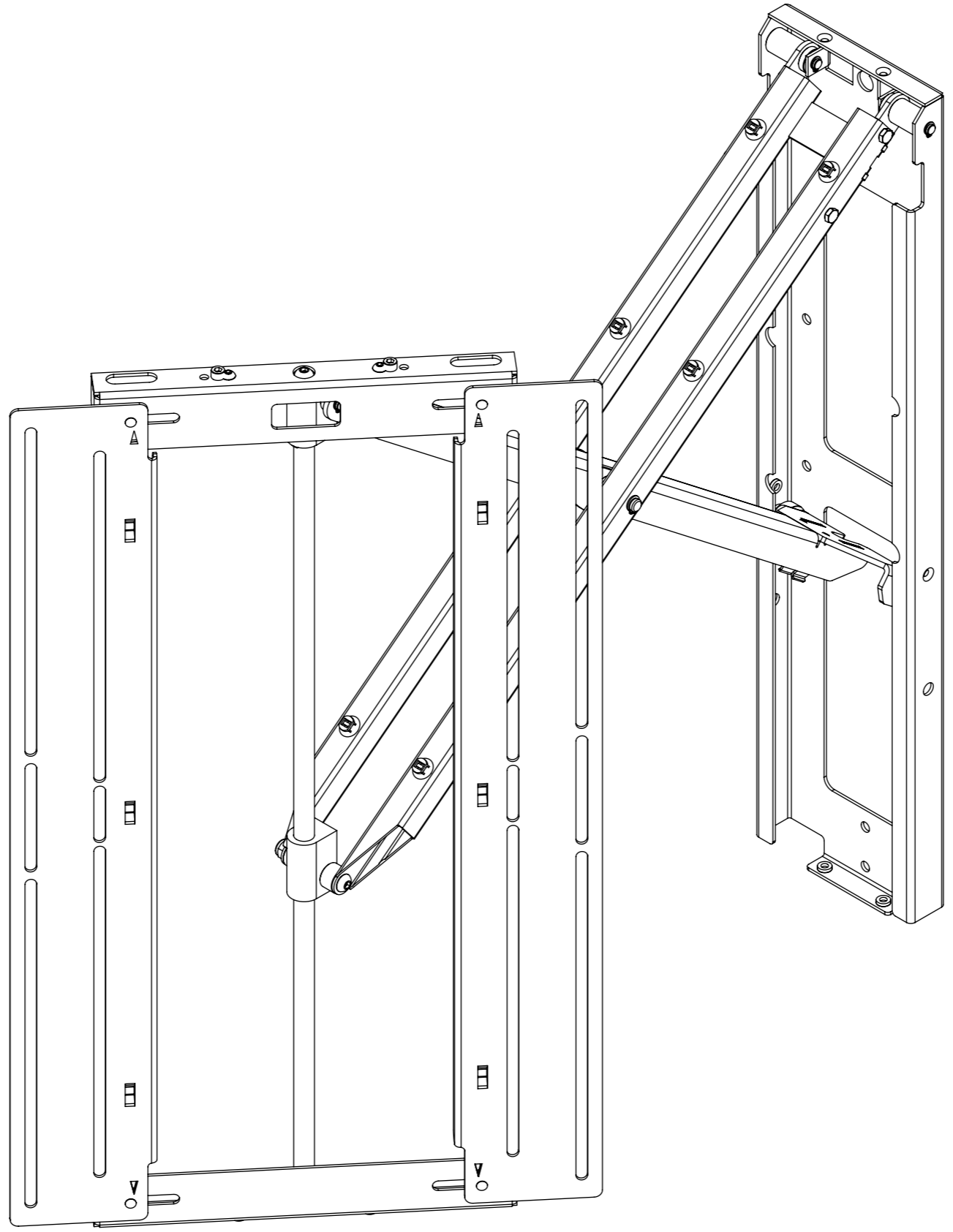


PS65

PULL & SWIVEL MANUAL WALL MOUNT



future automation



PS65

PULL & SWIVEL MANUAL WALL MOUNT



SPECIFICATION	MEASUREMENTS
Maximum Screen Size	65" - 75"
Maximum Weight Capacity	60Kg (132lb)
Maximum Extension From Wall	595mm (23.4")
Depth From Wall	52mm (2")
Packaging Dimensions	335 x 755 x 70mm (13.18 x 29.72 x 2.75")
Shipping Weight	16Kg (35lb)
Maximum Rotation	50° - Bi-directional with 65" screen - 43° with 75"
Movement Type	Manual
Mounting Patterns Supported	VESA 400, 300, 200, 100 W x 600, 500, 400, 300, 200, 100 H
Product Options / Features	Specific B&O and Loewe mounts / adapters, Custom RAL paint finishes
Package Contents	Mechanism, Bolt Pack
Marine Suitable	No

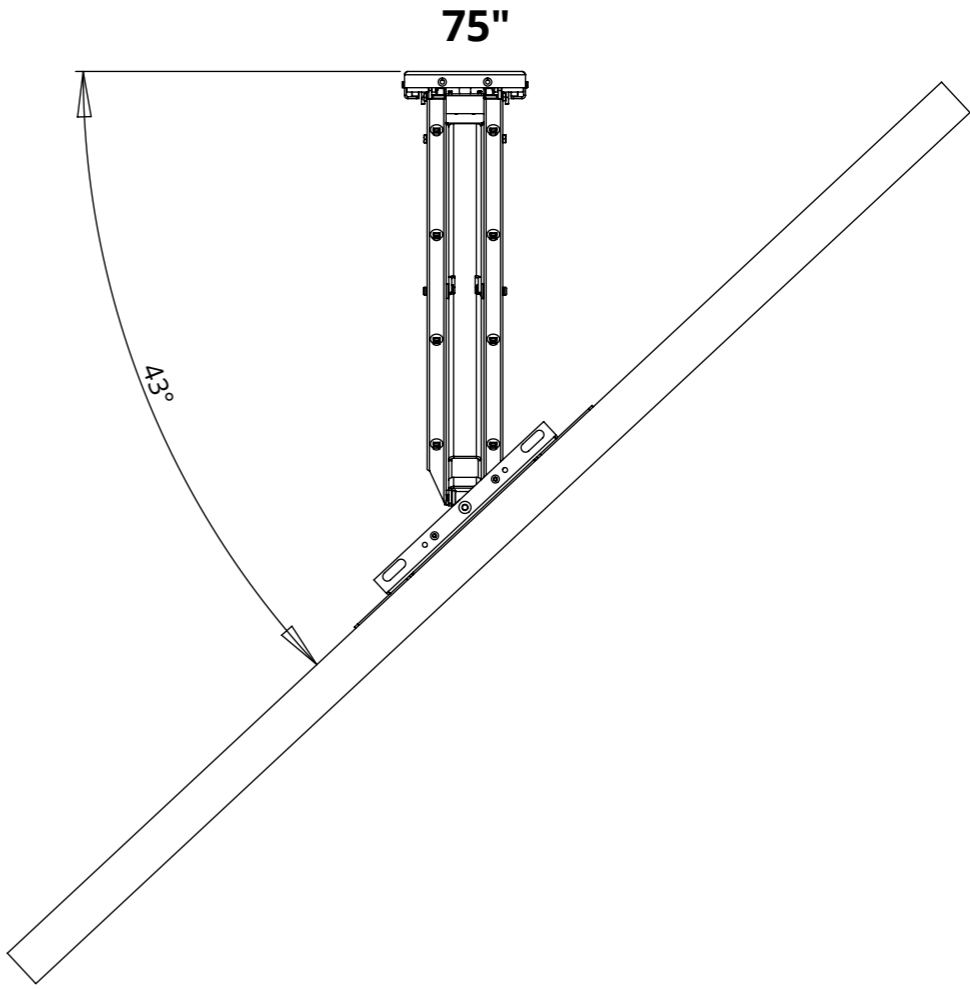
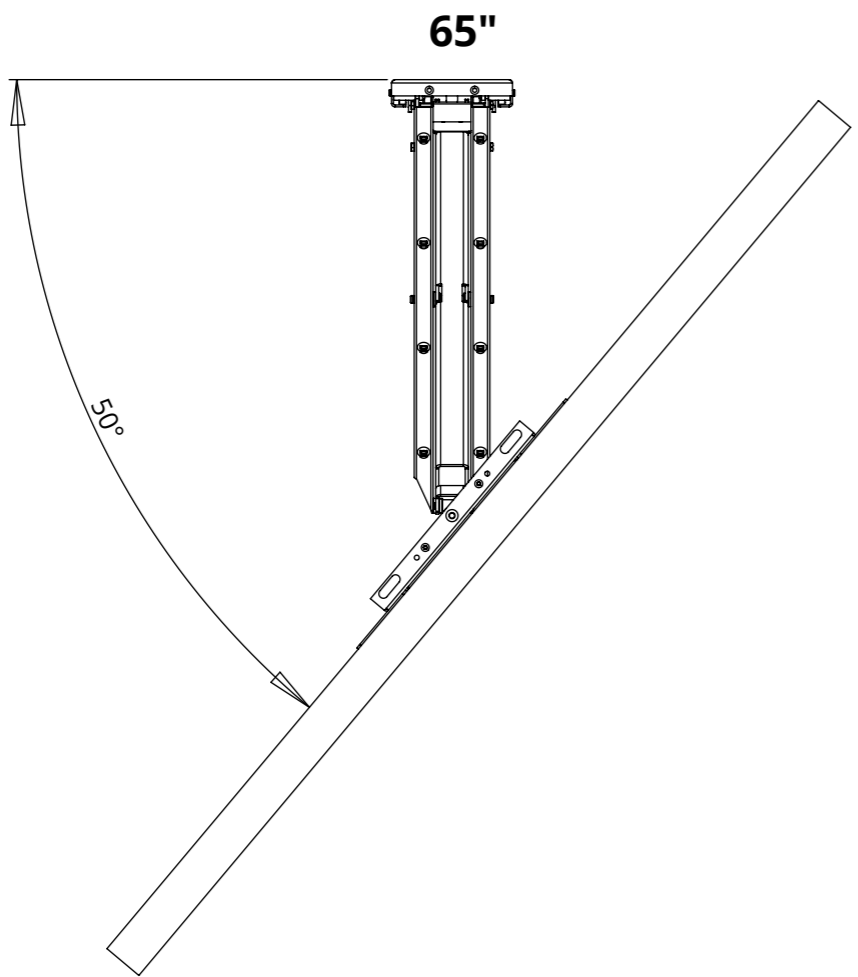
PS65

PULL & SWIVEL MANUAL WALL MOUNT

SCREEN SIZES

The views below show the approximate maximum swivel angles achievable for varying screen sizes.

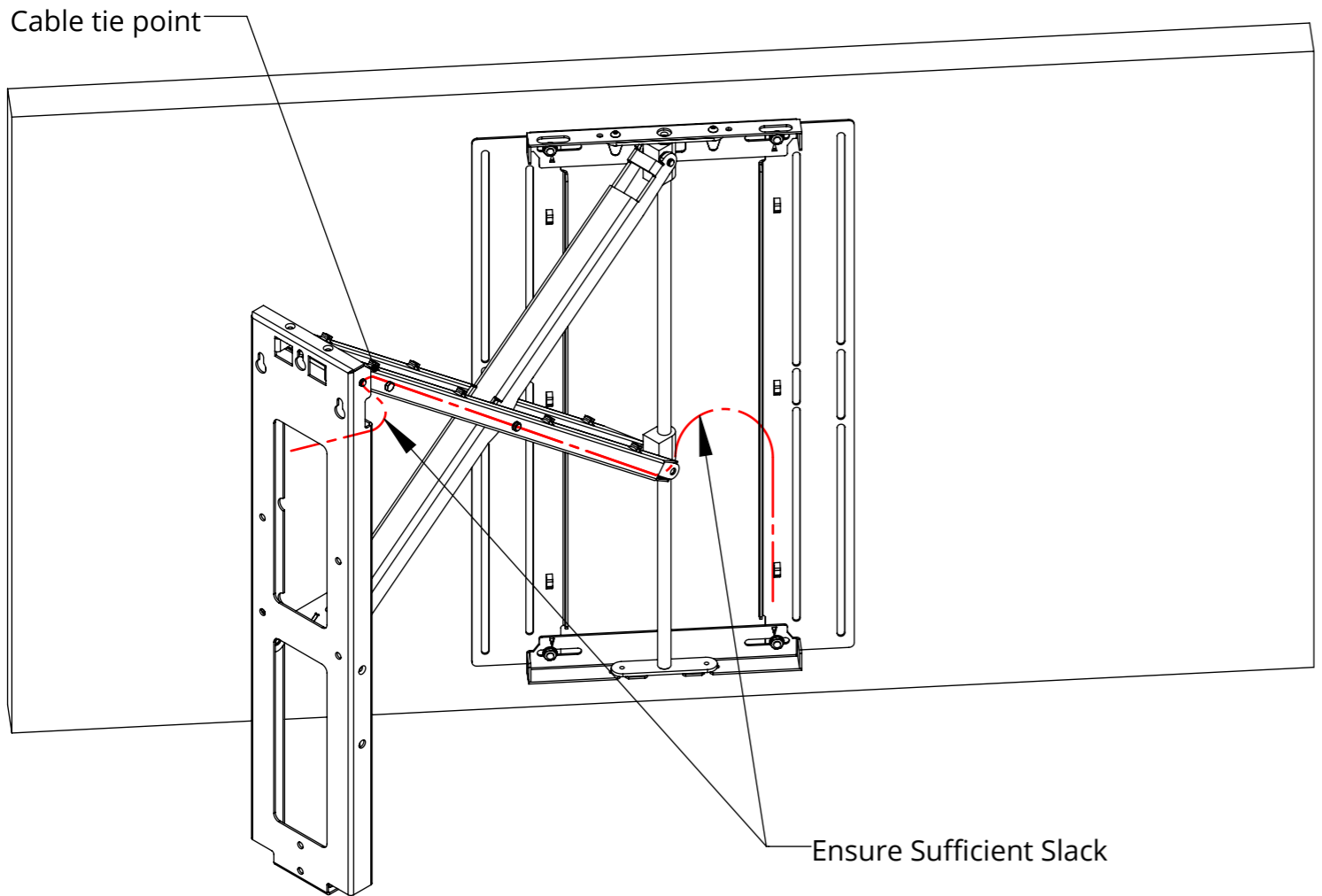
Note: The maximum swivel angle achievable is 50° regardless of screen size



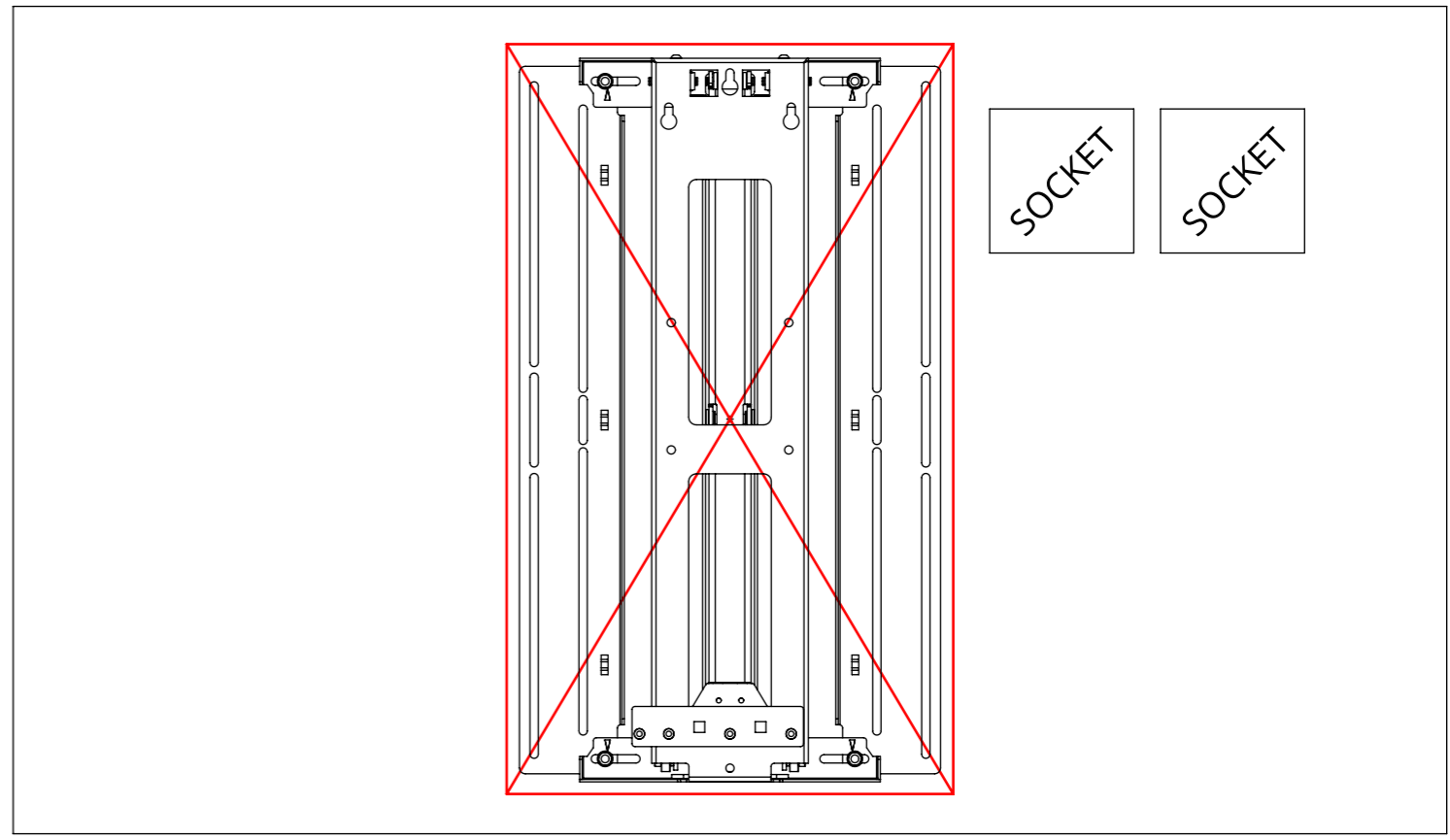
PS65 PULL & SWIVEL MANUAL WALL MOUNT

CABLE ROUTING & SOCKET PLACEMENT

Route the screen cables as shown ensuring sufficient slack at moving points and secure in place using the integrated cable tie points.

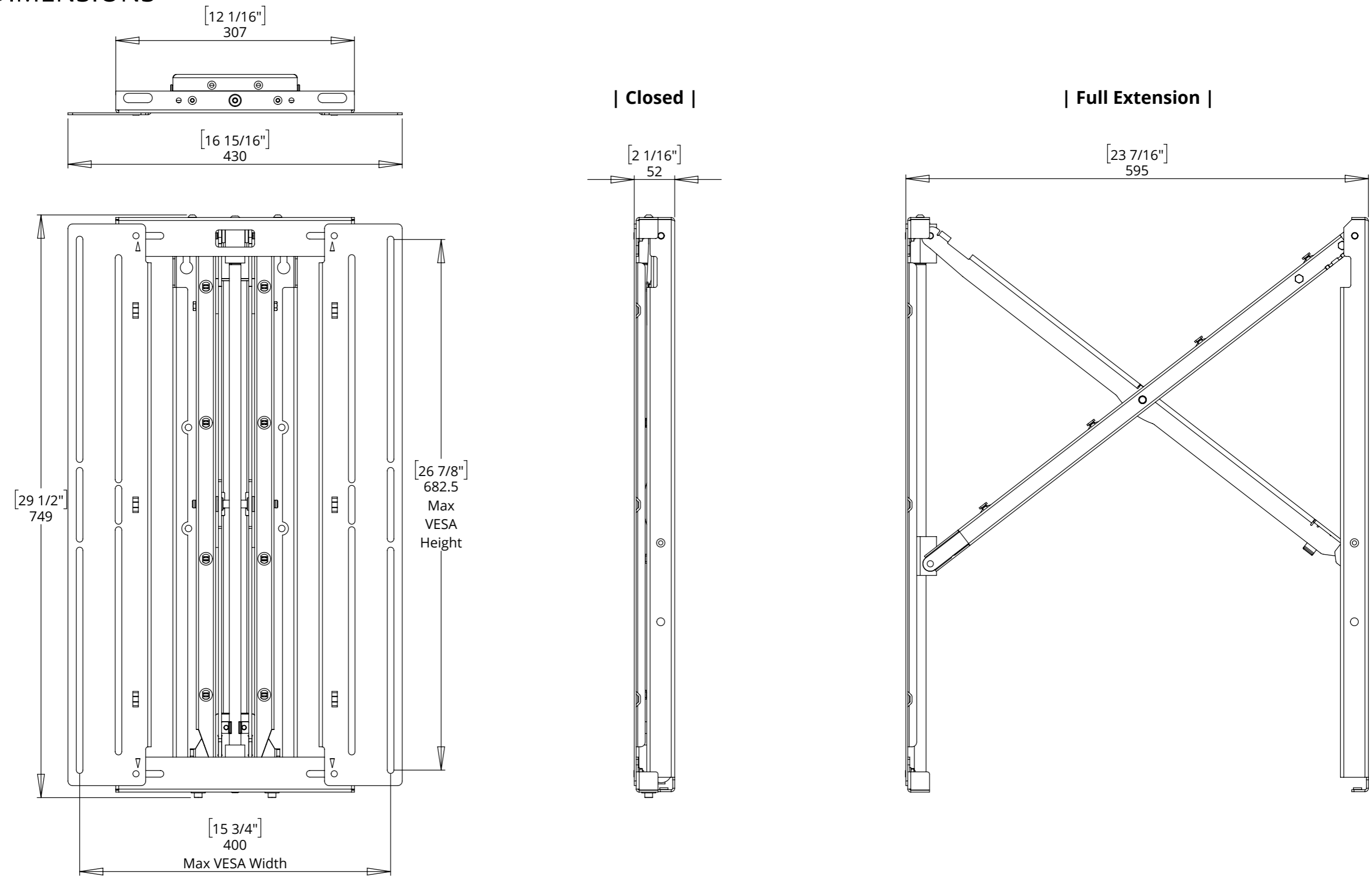


Wall sockets should be ideally placed as shown outside of the bracket footprint to maximise space for cable routing



PS65 PULL & SWIVEL MANUAL WALL MOUNT

GENERAL DIMENSIONS

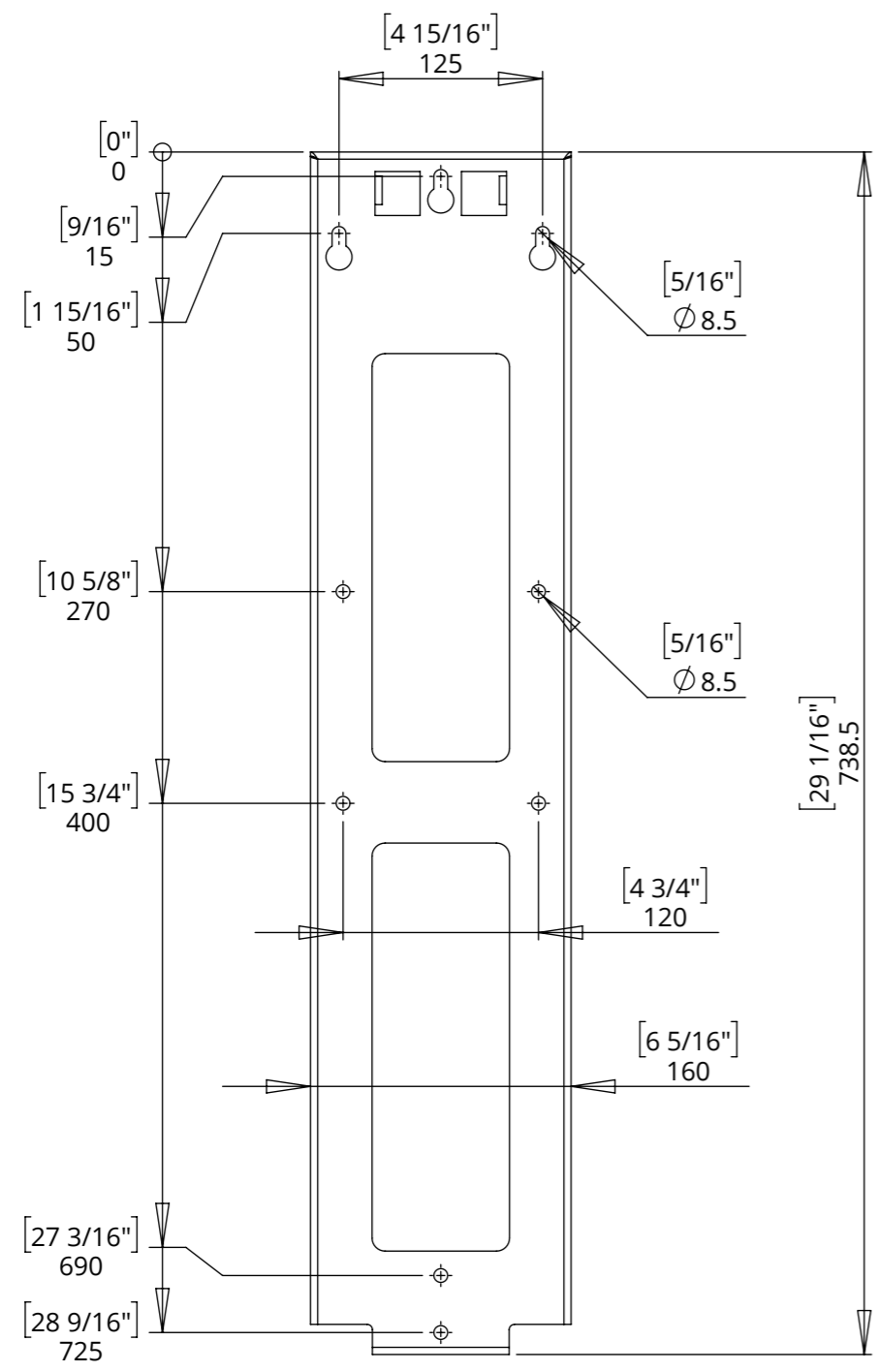


PS65 PULL & SWIVEL MANUAL WALL MOUNT

MOUNTING DIMENSIONS

Wall Plate

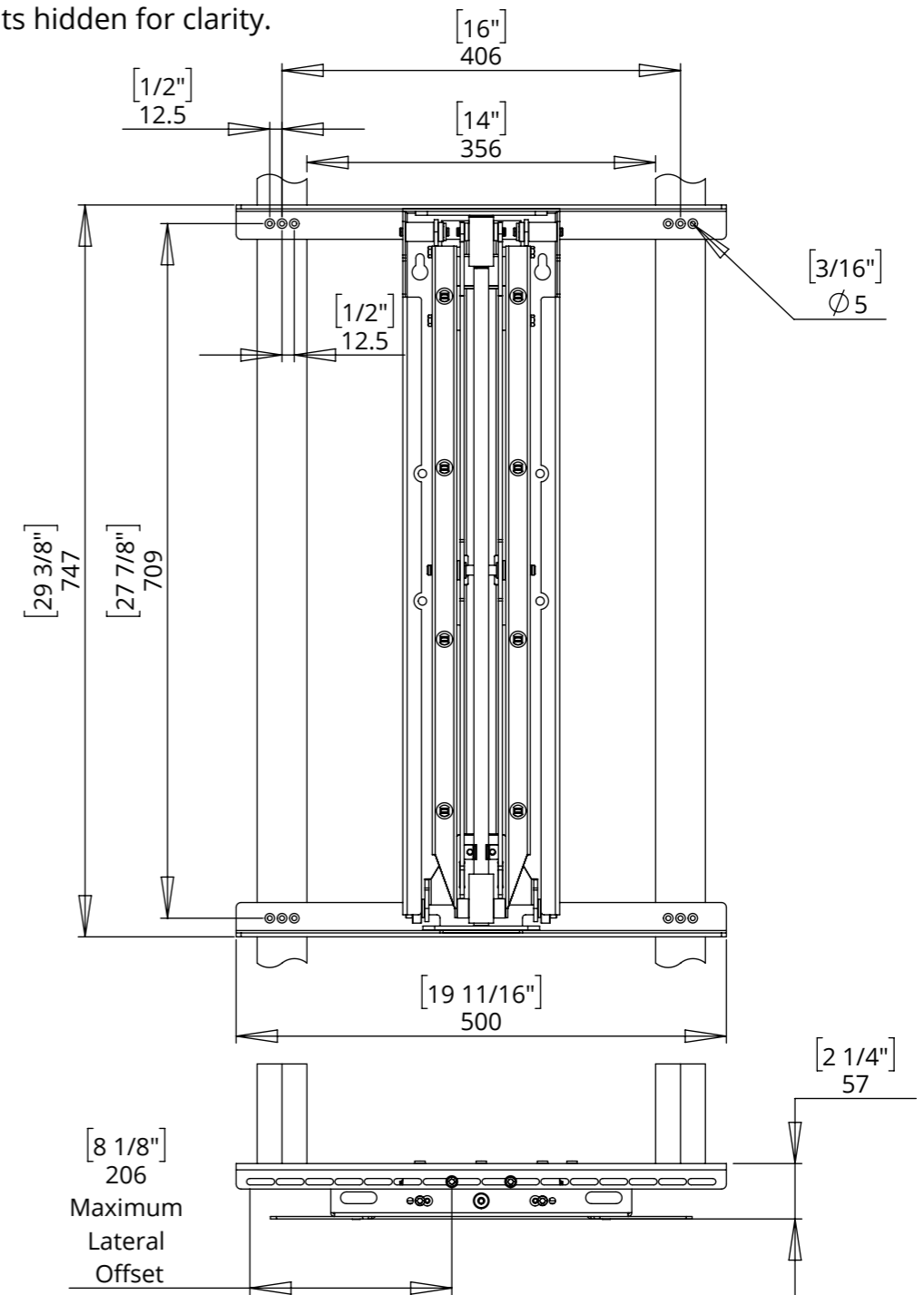
Make sure the wall that the bracket is being mounted to is secure and strong enough to support the bracket and screen.



Stud Rail Kit

The Stud Rail Kit is an optional addition that allows the PS65 to be easily installed on a stud wall and allows for the lateral position of the mount to be adjusted if desired. The Stud rail Kit can be purchased separately under the code PS-SRK.

Uprights hidden for clarity.



PS65

PULL & SWIVEL MANUAL WALL MOUNT

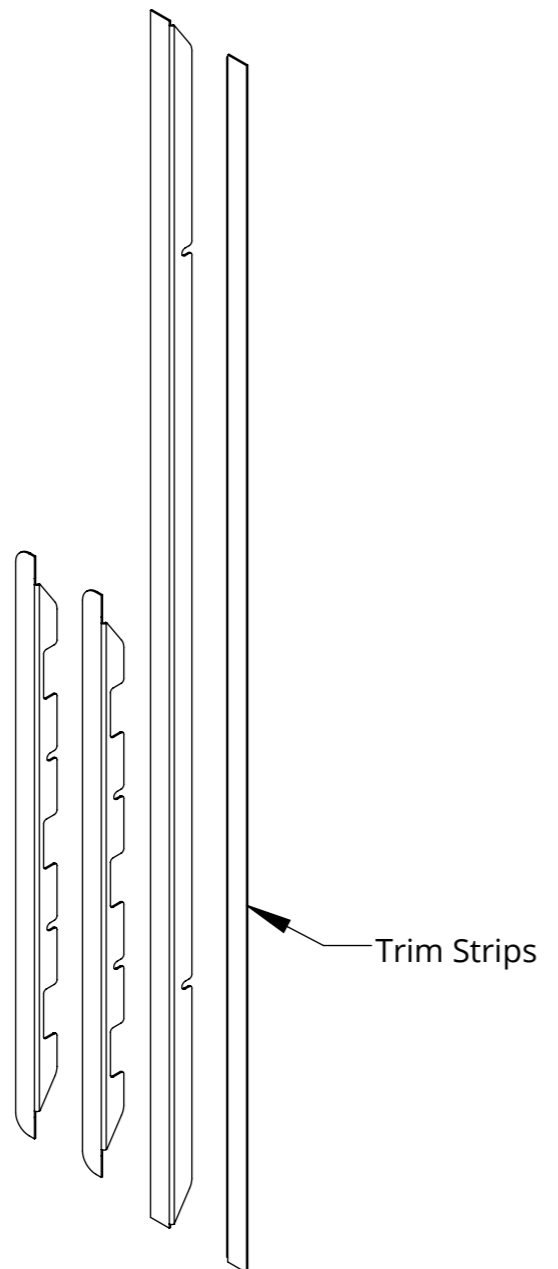


WALL BOX OPTIONS

The PS65 can be installed in the wall box shown below for an ultra slim installation, whilst still providing space for additional accessories such as HDMI baluns, Apple TV, Samsung One Connect etc. See corresponding technical sheet for more information.

Each wall box comes complete with:

- PS bracket mount rails
- Set of 2 accessory clamp brackets
- Set of trim strips
- WattBox mounting kit



WB31

