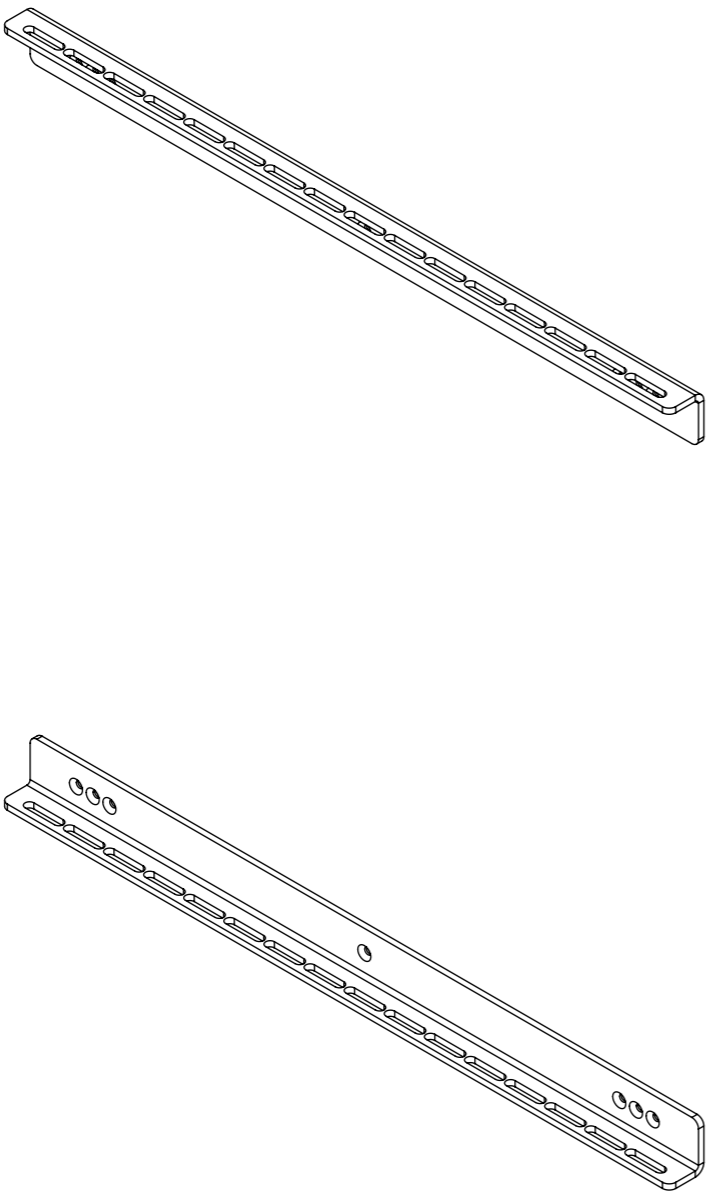


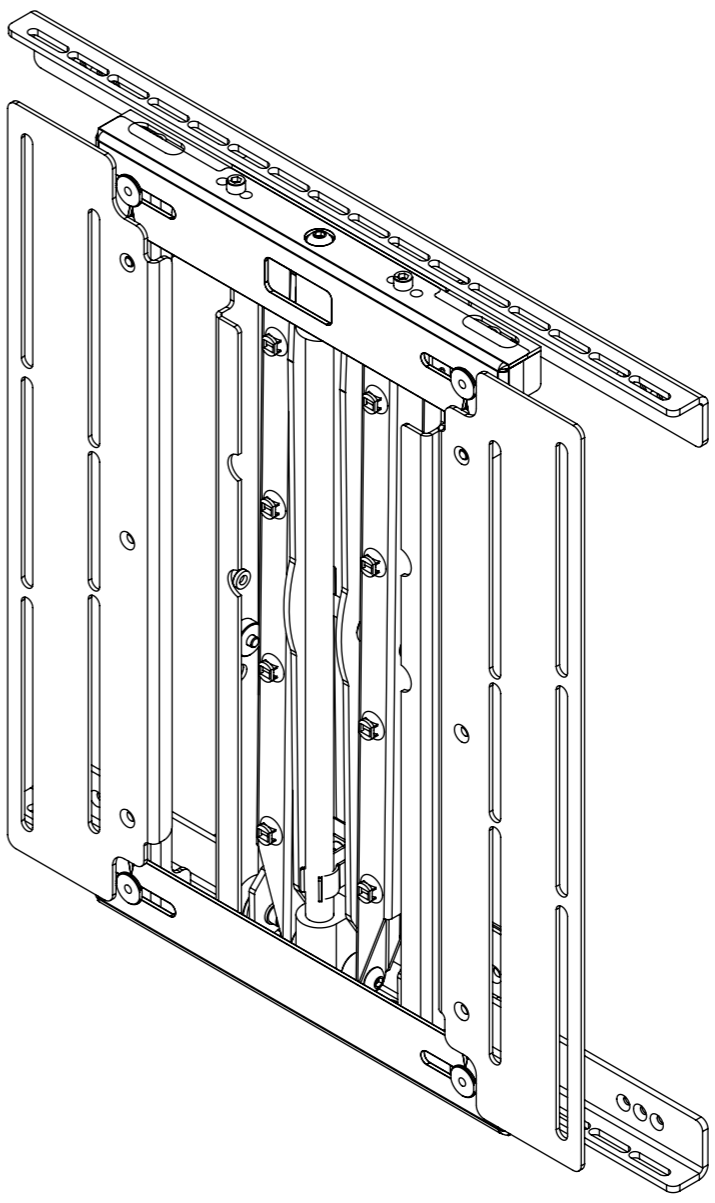
PS-SRK

STUD RAIL KIT FOR PS RANGE

Brackets as supplied



Brackets installed on a PS bracket



PS-SRK

STUD RAIL KIT FOR PS RANGE



future automation

SPECIFICATION	MEASUREMENTS
Product Dimensions	500mm[19 11/16"] x 35mm[1 3/8] x 26mm [1"]
Product Weight	1.5Kg (44lb)
Compatible With	PS32, PS40, PS55, PS65
Package Contents	Stud rail brackets, Fixings

PS-SRK

STUD RAIL KIT FOR PS RANGE



GENERAL INFORMATION

The Stud Rail Kit is an optional addition that allows the PS Range of brackets to be easily installed on a stud wall and allows for the lateral position of the mount to be adjusted if desired.

Uprights hidden for clarity.

The Stud Rail Kit mounts to the top and bottom of the PS brackets back tray as shown below:

Uprights hidden for clarity.

