

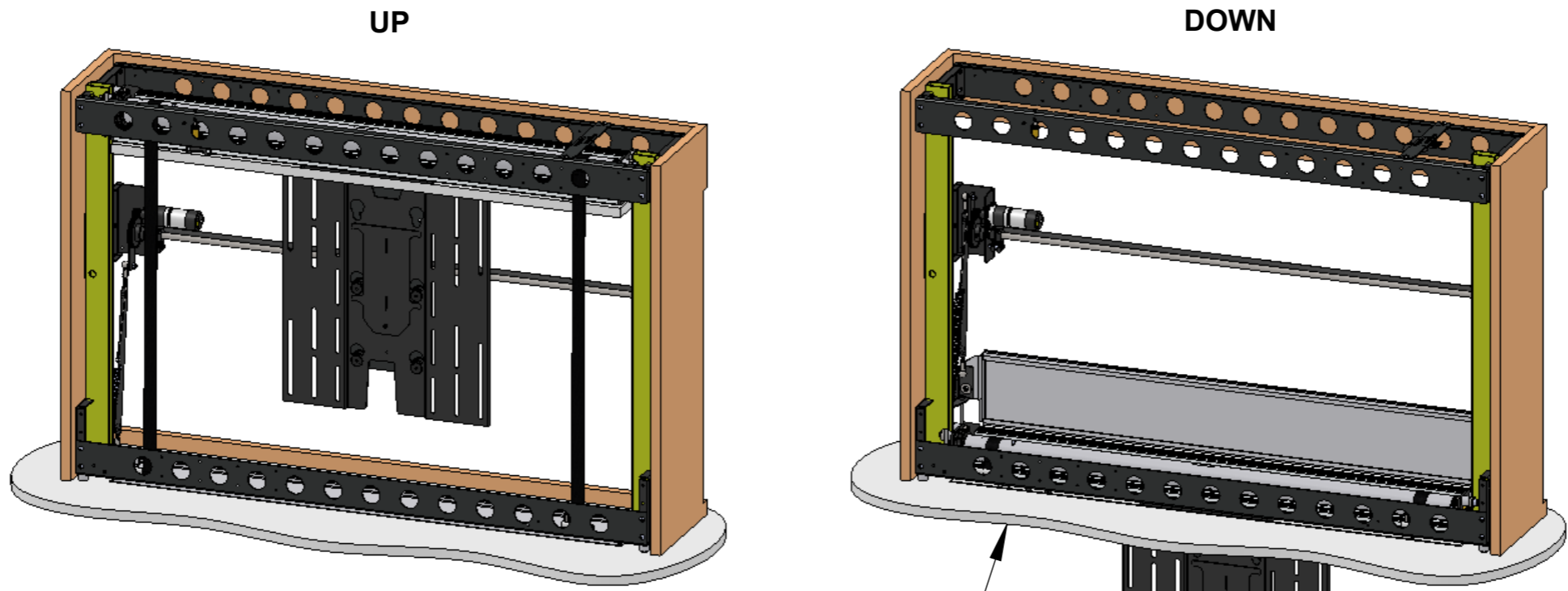


DESIGN HIGHLIGHTS

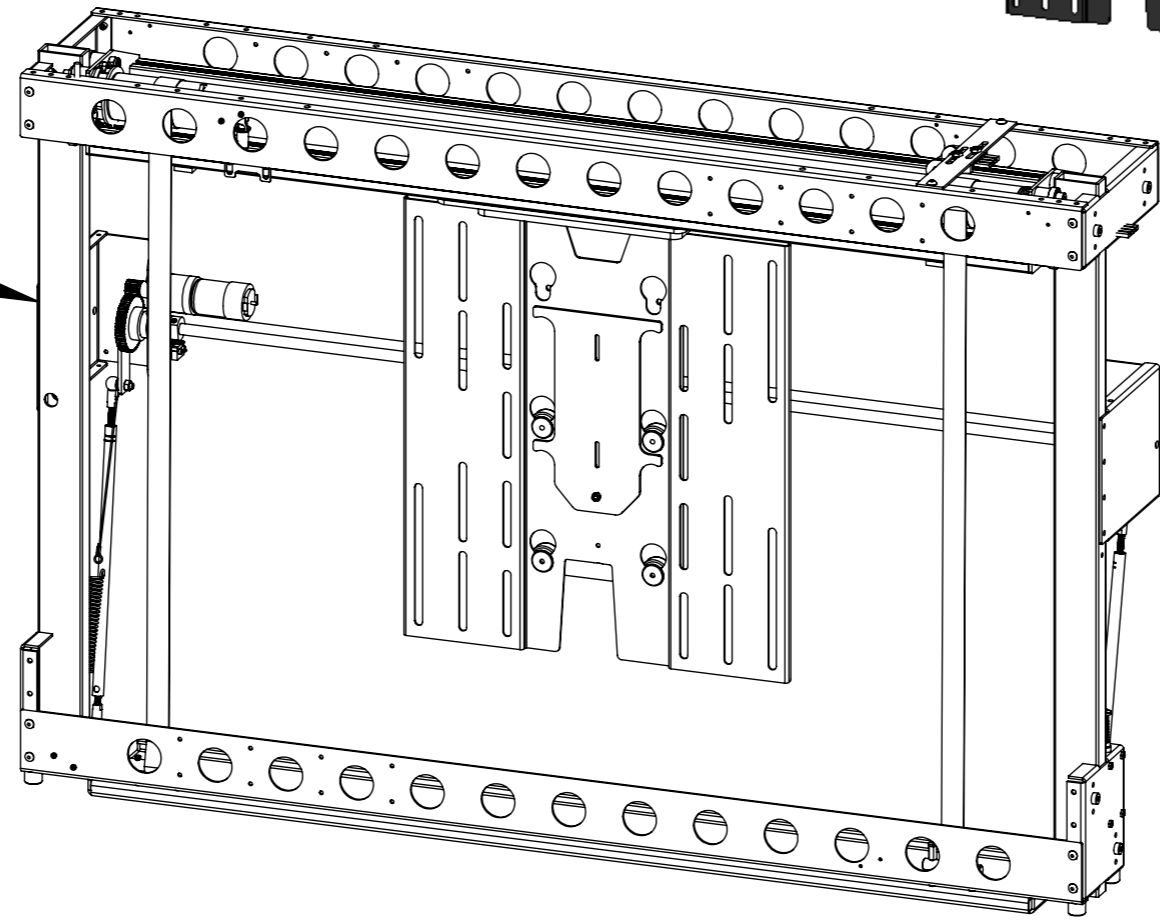
- Lift & Roll concealed flap mechanism creates a tidy appearance
- Full cable management
- Mechanism can be sized to suit specific screens
- Onboard electronics
- Wide range of mounting options

OPTIONS

- Bang & Olufsen / Loewe mount option
- Swivel function available on PLIS lift mechanisms



MECHANISM AS SUPPLIED BY FUTURE AUTOMATION



FUNCTION

The electric flap lifts up into the cabinet before the screen is lowered. The base panel fills the opening when the screen is in the out position.

An optional swivel mount is available, allowing the screen to be watched from multiple viewing angles.

SUITABILITY

The PLI range of lifts is suitable for screen sizes from 26" to 50".

A range of height, width and depth configurations are available to accommodate a broad range of audio / visual products.

SPECIFYING

Specify the Television.

Establish cabinet dimensions.

Construction of the cabinet can take place whilst the mechanism is being manufactured by Future Automation.

CONTROL

Supplied with basic infrared remote. Can be learnt by many learning remotes.

Also has switch control and RS232 so can be operated by relays, switches, Crestron / AMX or Lutron systems.

WARNING

It is the responsibility of the installer to warn all potential end users of the dangers of interfering with mechanisms during operation

IMPORTANT

Mechanisms which lift or move weights need to be checked on a yearly basis for any damage which may result in an accident



PLI - Plasma Lift Inverted

Technical Sheet

Design Highlights

The electric flap lifts up into the cabinet by approximately 40mm [1.5"] before rolling back in the cabinet. The screen is then lowered through the aperture in the ceiling. This method of flap movement gives the neatest possible appearance as there is no flap panel visible when the screen is in the viewing position.

Once fully dropped, the base panel fills the aperture in the ceiling.

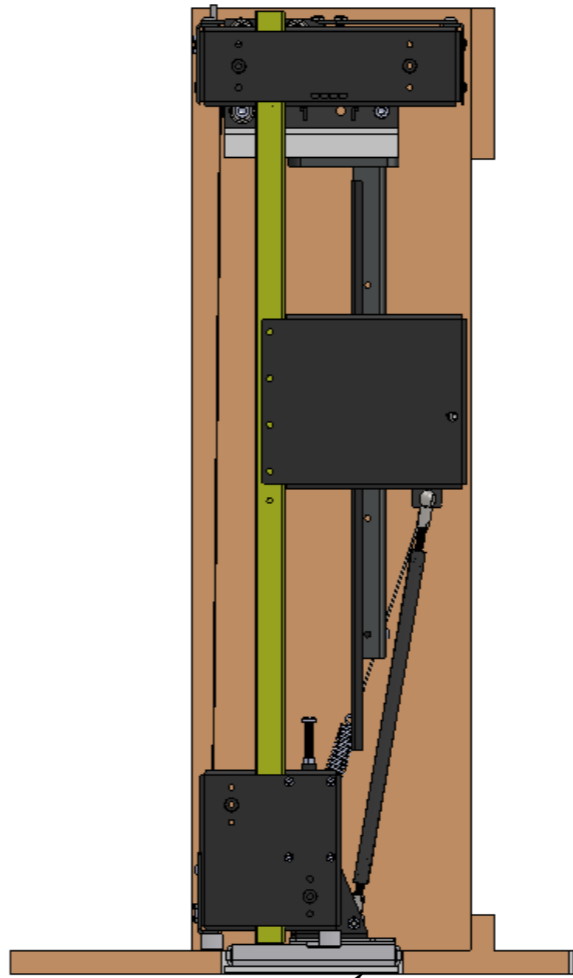
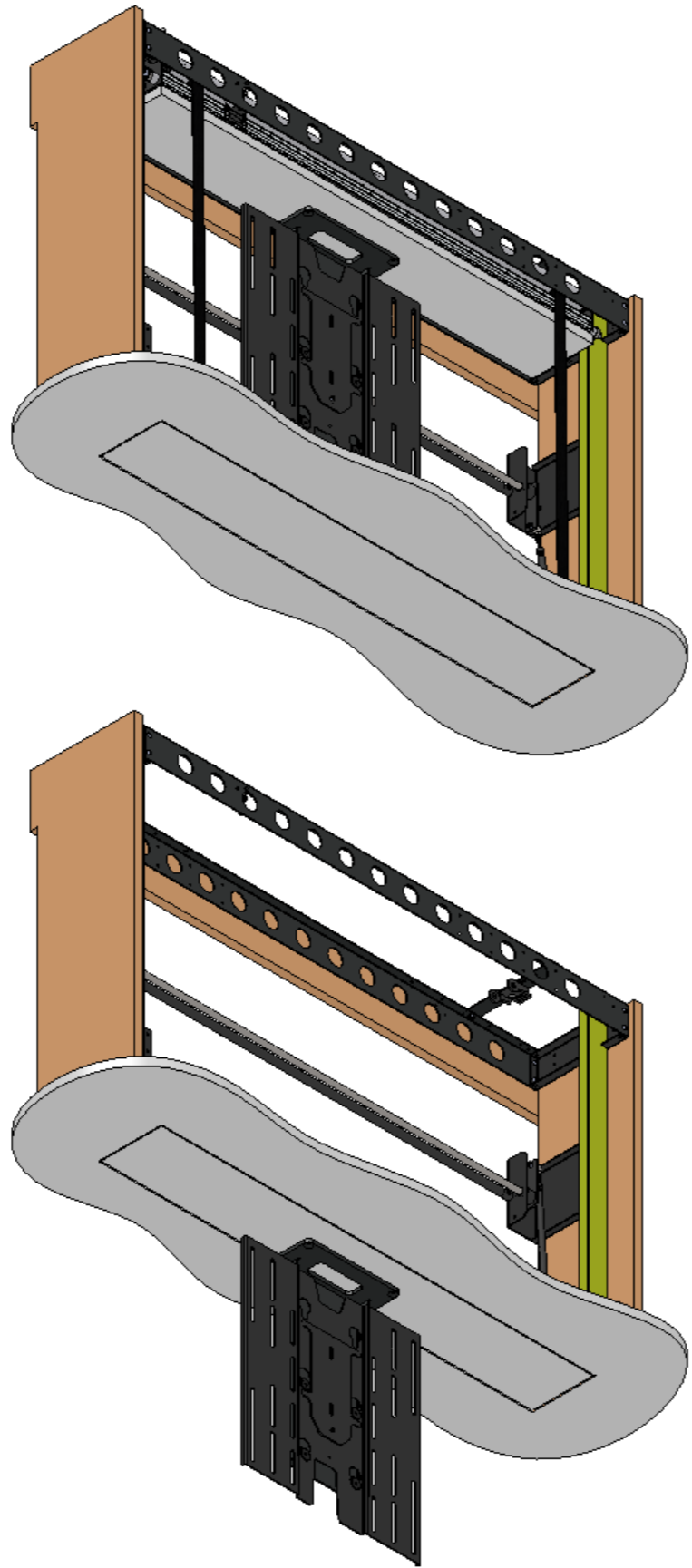
Many size options are available allowing the most efficient cabinet dimensions to be used for the chosen screen.

Full cable management keeps all screen power and signal cables safe and secure during mechanism operation.

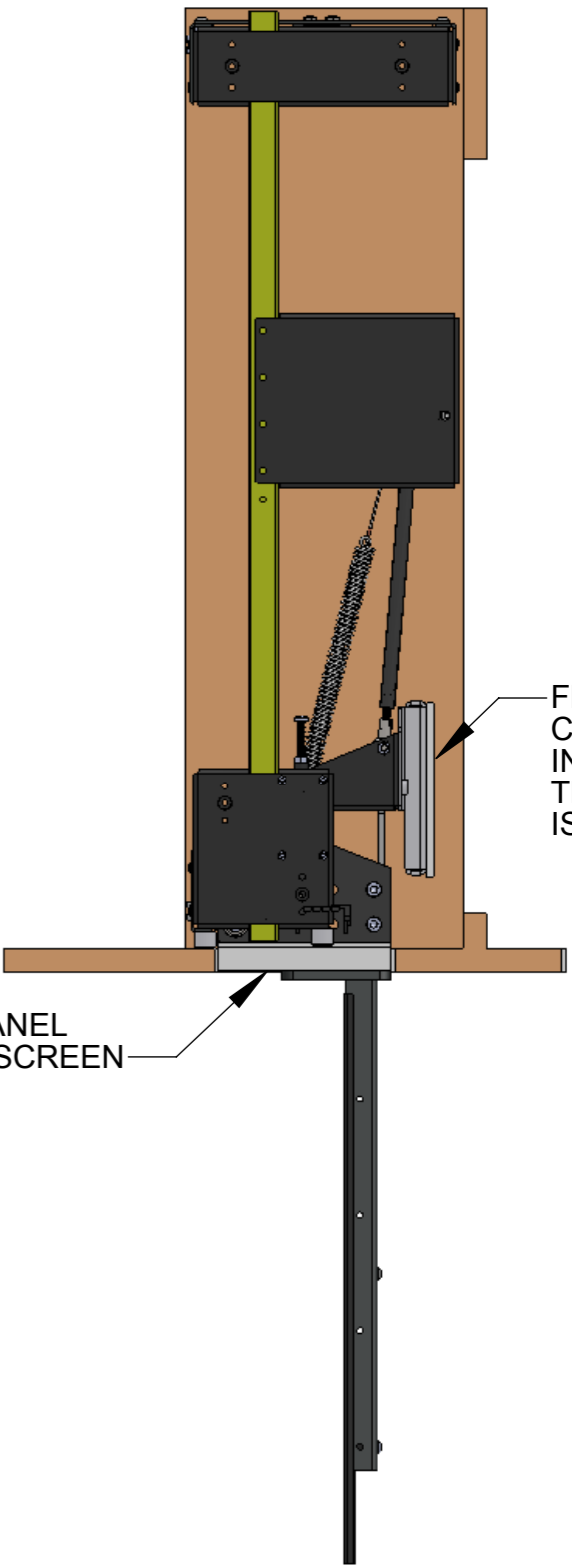
Many mounting options are available for Loewe and Bang & Olufsen screens.

An advanced control system allows the lift mechanism to be easily controlled via home automation systems such as Crestron and AMX. Two way communication is also possible via RS232.

With PLIS mechanisms, up to 180° of movement is possible in both clockwise and counter clockwise directions. Up to four angular positions can be stored in the mechanisms memory via the IR remote control.



FLAP PANEL



BASE PANEL UNDER SCREEN

FLAP PANEL CONCEALED INSIDE WHEN THE SCREEN IS OUT

Important Information

Start with screen size. Match the size of your screen to one of the standard lift sizes. Make sure that you don't include the stand, as a suitable support framework will be supplied with the mechanism. Make sure the size includes any clip on speakers required.

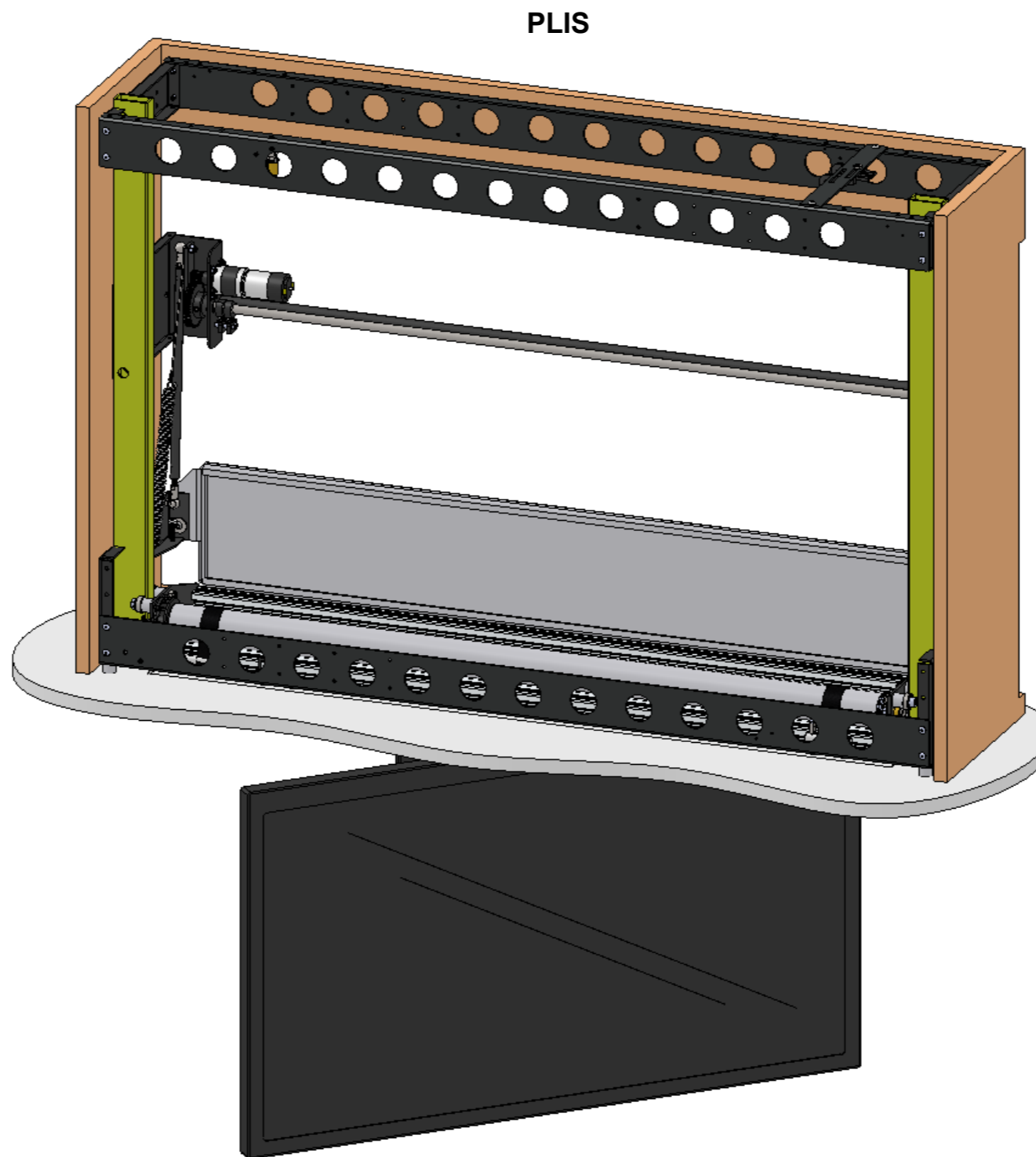
The flap is only 6mm thick. This is bonded to an Aluminium section beneath supplied with the lift. This will help prevent warping. It is advisable to varnish both sides of the flap.

The base goes above the screen and will need holes drilled during installation for the support framework and screen cables.

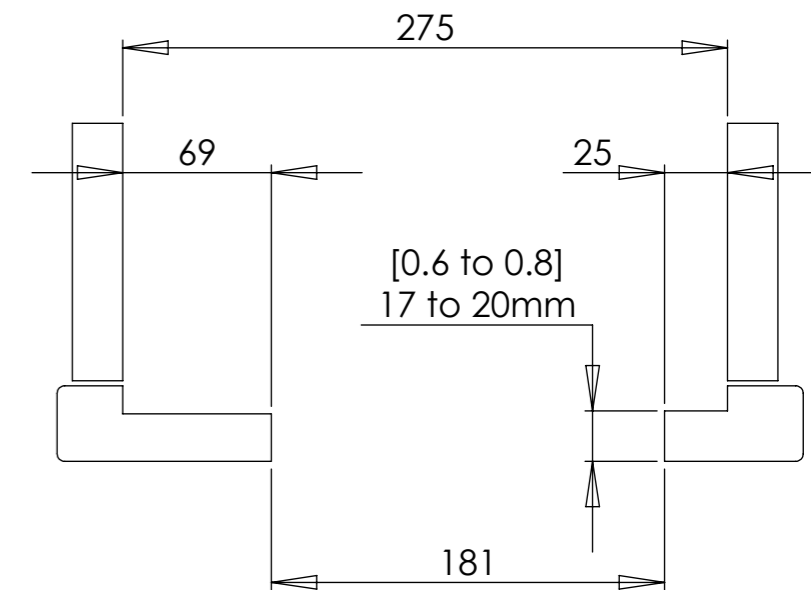
The height and width are critical so make the cabinet to the exact size stated in the technical sheets. The lift mechanism will be slightly smaller than the sizes given. The depth of the cabinet can be increased.

Full front or back access is required in order to insert the mechanism within the cabinet.

The weight limit is 50Kg [110lb] for the sizes given in this document. For installation of heavier screens a taller mechanism is required.



EXAMPLE OF A THICKER CEILING MATERIAL

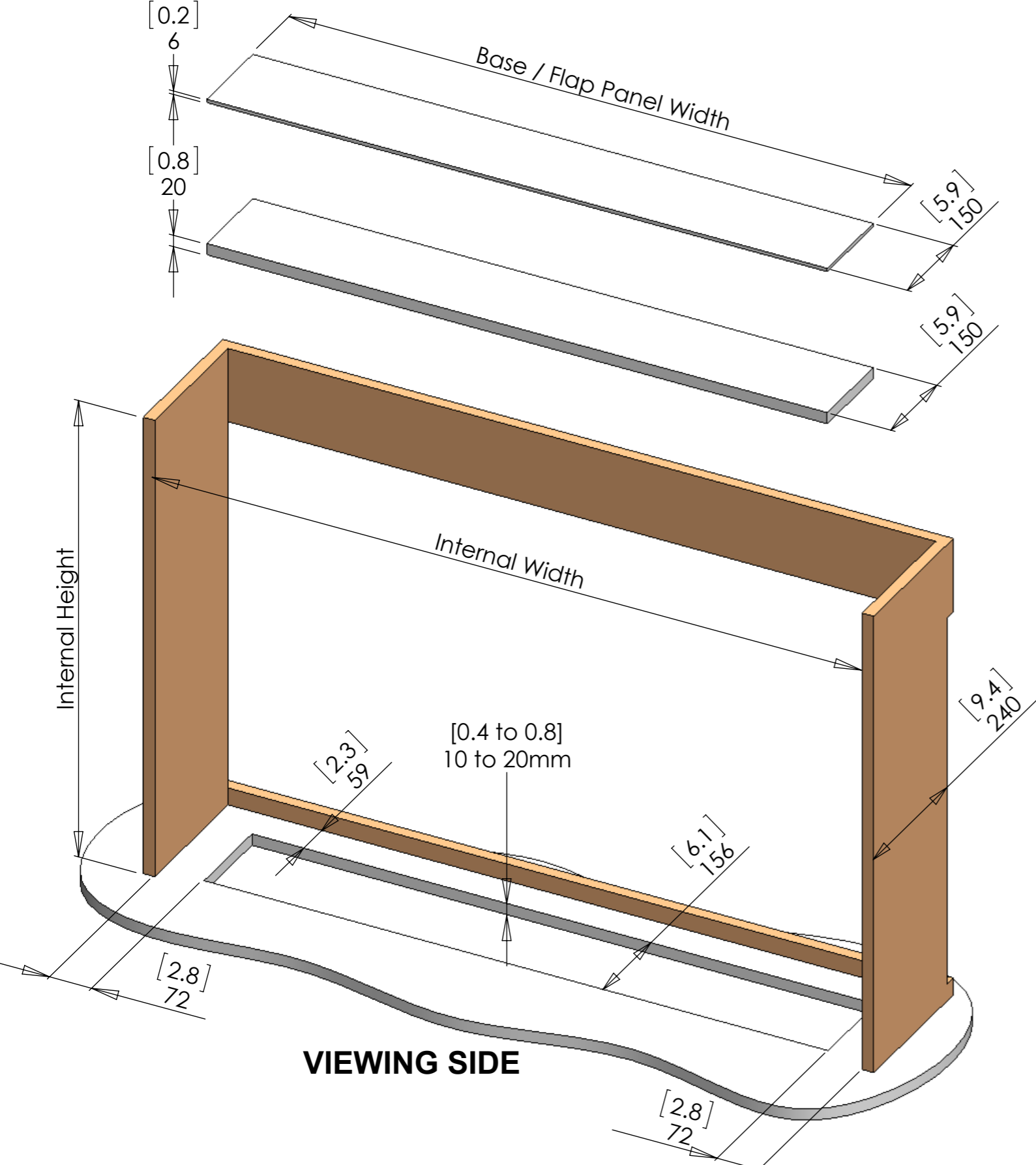


The PLIS incorporates a swivel movement to the action of the screen. The screen is able to rotate about its centre through a maximum angle of 180° CW and Anti-CW.

PLI - Depth 240

Maximum Screen Thickness - 105mm [4.1]
Maximum Screen Weight - 50kg - 110lbs

Maximum flap panel weight - 4Kg [9lb]
Maximum base panel weight - 6Kg [13lb]



MAX SCREEN HEIGHT mm [inches]	INTERNAL HEIGHT mm [inches]
520 [20.5]	H710 [28.0]
620 [24.4]	H810 [31.9]
670 [26.4]	H860 [33.9]
720 [28.3]	H910 [35.8]
770 [30.3]	H960 [37.8]
820 [32.3]	H1010 [39.8]

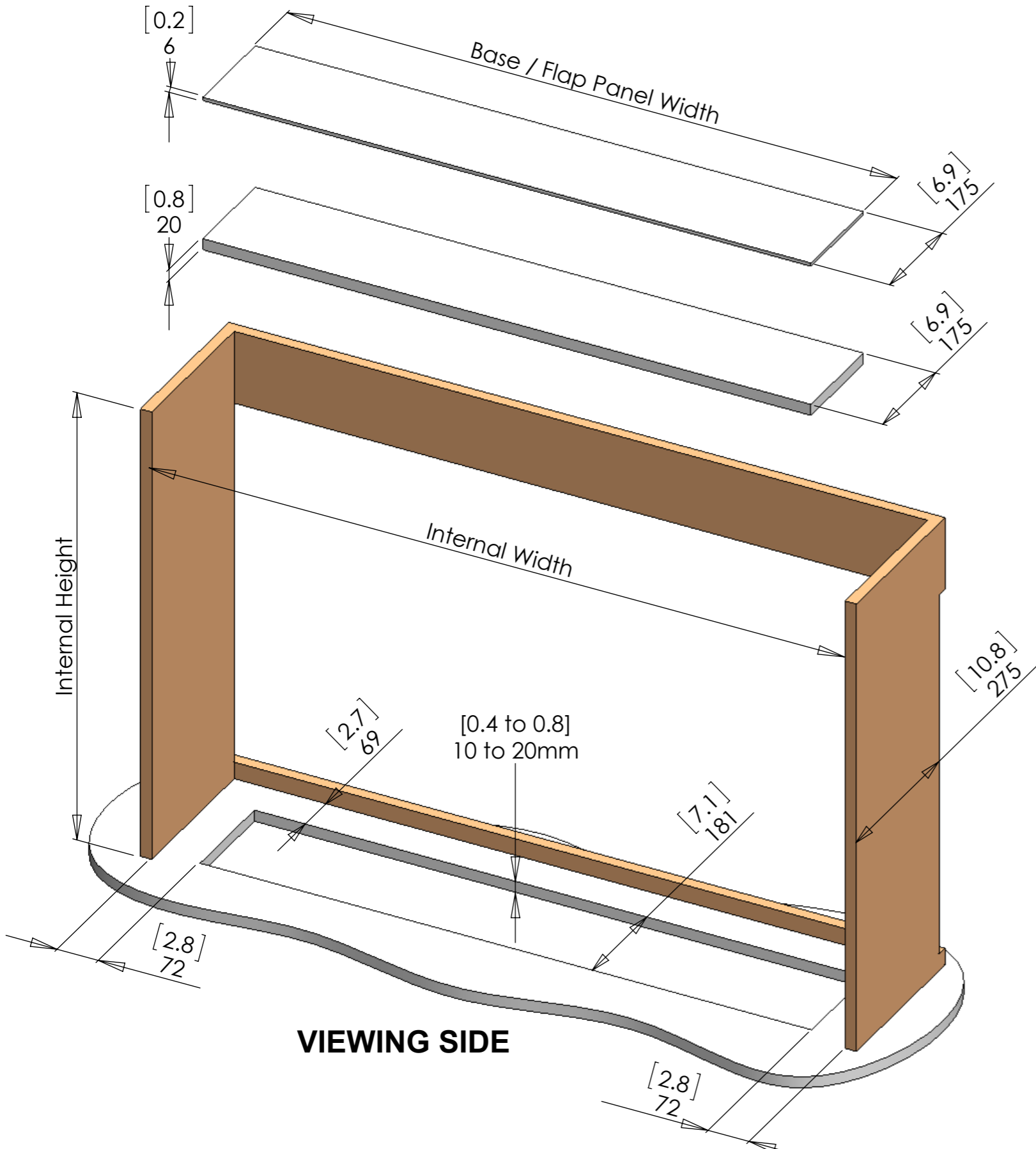
MAX SCREEN WIDTH mm [inches]	INTERNAL WIDTH mm [inches]	BASE / FLAP PANEL WIDTH mm [INCHES]
650 [25.6]	W820 [32.3]	670 [26.4]
750 [29.5]	W920 [36.2]	770 [30.3]
850 [33.5]	W1020 [40.2]	870 [34.3]
950 [37.4]	W1120 [44.1]	970 [38.2]
1050 [41.3]	W1220 [48.0]	1070 [42.1]
1150 [45.3]	W1320 [52.0]	1170 [46.0]
1250 [49.2]	W1420 [55.9]	1270 [50.0]
1350 [53.1]	W1520 [59.8]	1370 [53.9]
1450 [57.1]	W1620 [63.8]	1470 [57.9]
1550 [61.0]	W1720 [67.7]	1570 [61.8]

NOTE
The swivel feature is not available with a Depth 240 mechanism

PLI - Depth 275

Maximum Screen Thickness - 130mm [5.1]
Maximum Screen Weight - 50kg - 110lbs

Maximum flap panel weight - 4Kg [9lb]
Maximum base panel weight - 6Kg [13lb]



MAX SCREEN HEIGHT mm [inches]	MAX SCREEN HEIGHT FOR SWIVEL mm [inches]	INTERNAL HEIGHT mm [inches]
520 [20.5]	500 [19.7]	H710 [28.0]
620 [24.4]	600 [23.6]	H810 [31.9]
670 [26.4]	650 [25.6]	H860 [33.9]
720 [28.3]	700 [27.8]	H910 [35.8]
770 [30.3]	750 [29.5]	H960 [37.8]
820 [32.3]	800 [31.5]	H1010 [39.8]

MAX SCREEN WIDTH mm [inches]	INTERNAL WIDTH mm [inches]	BASE / FLAP PANEL WIDTH mm [INCHES]
650 [25.6]	W820 [32.3]	670 [26.4]
750 [29.5]	W920 [36.2]	770 [30.3]
850 [33.5]	W1020 [40.2]	870 [34.3]
950 [37.4]	W1120 [44.1]	970 [38.2]
1050 [41.3]	W1220 [48.0]	1070 [42.1]
1150 [45.3]	W1320 [52.0]	1170 [46.0]
1250 [49.2]	W1420 [55.9]	1270 [50.0]
1350 [53.1]	W1520 [59.8]	1370 [53.9]
1450 [57.1]	W1620 [63.8]	1470 [57.9]
1550 [61.0]	W1720 [67.7]	1570 [61.8]

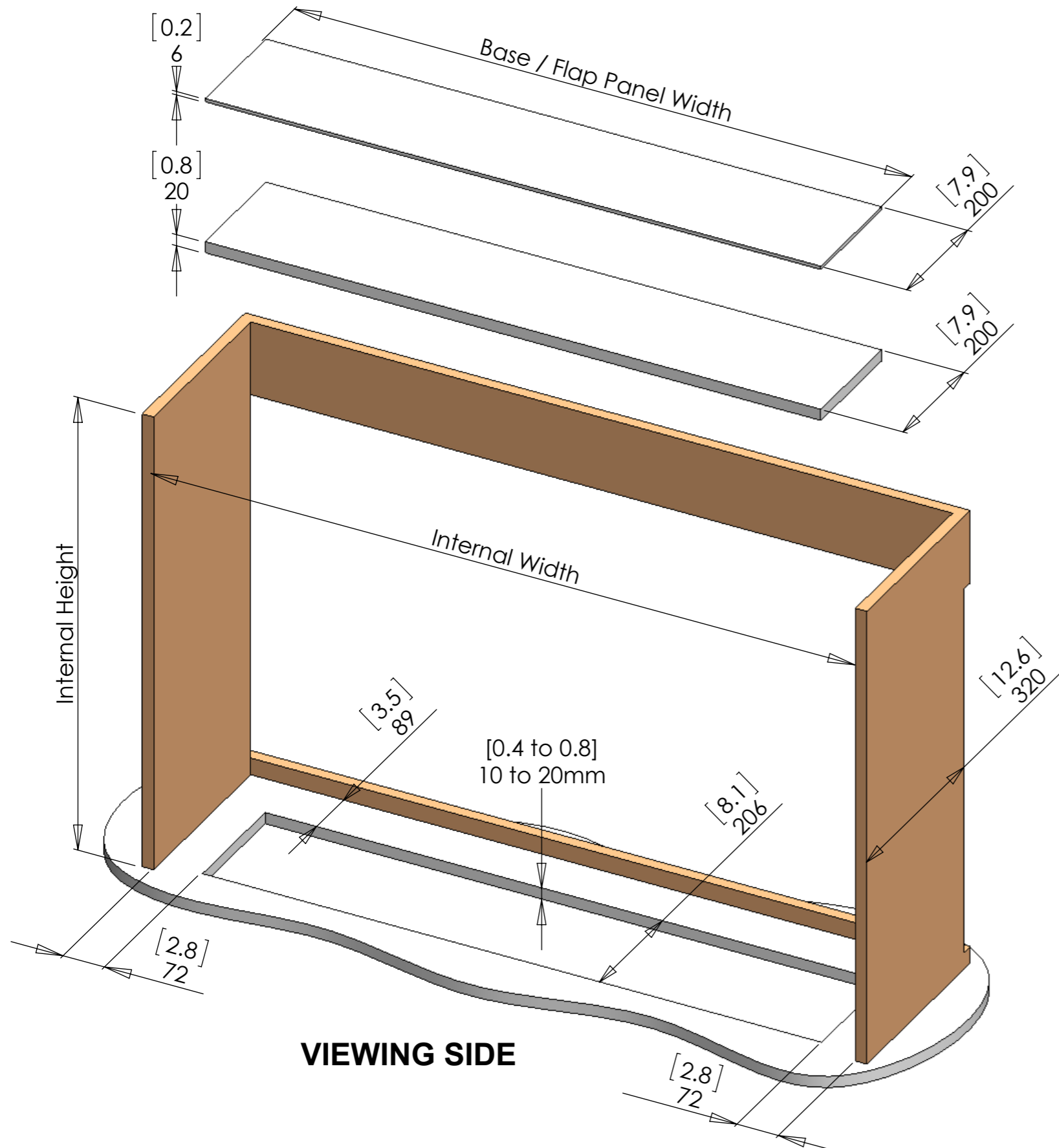
NOTE
When opting for a swivel mechanism maximum screen thickness is reduced to 115mm [4.5].

The swivel feature adds 20mm to the screen height in a 275 or 320 deep cabinet.

PLI - Depth 320

Maximum Screen Thickness - 155mm [6.1]
Maximum Screen Weight - 50kg 110lbs

Maximum flap panel weight - 4Kg [9lb]
Maximum base panel weight - 6Kg [13lb]



MAX SCREEN HEIGHT mm [inches]	MAX SCREEN HEIGHT FOR SWIVEL mm [inches]	INTERNAL HEIGHT mm [inches]
520 [20.5]	500 [19.7]	H710 [28.0]
620 [24.4]	600 [23.6]	H810 [31.9]
670 [26.4]	650 [25.6]	H860 [33.9]
720 [28.3]	700 [27.8]	H910 [35.8]
770 [30.3]	750 [29.5]	H960 [37.8]
820 [32.3]	800 [31.5]	H1010 [39.8]

MAX SCREEN WIDTH mm [inches]	INTERNAL WIDTH mm [inches]	BASE / FLAP PANEL WIDTH mm [INCHES]
650 [25.6]	W820 [32.3]	670 [26.4]
750 [29.5]	W920 [36.2]	770 [30.3]
850 [33.5]	W1020 [40.2]	870 [34.3]
950 [37.4]	W1120 [44.1]	970 [38.2]
1050 [41.3]	W1220 [48.0]	1070 [42.1]
1150 [45.3]	W1320 [52.0]	1170 [46.0]
1250 [49.2]	W1420 [55.9]	1270 [50.0]
1350 [53.1]	W1520 [59.8]	1370 [53.9]
1450 [57.1]	W1620 [63.8]	1470 [57.9]
1550 [61.0]	W1720 [67.7]	1570 [61.8]

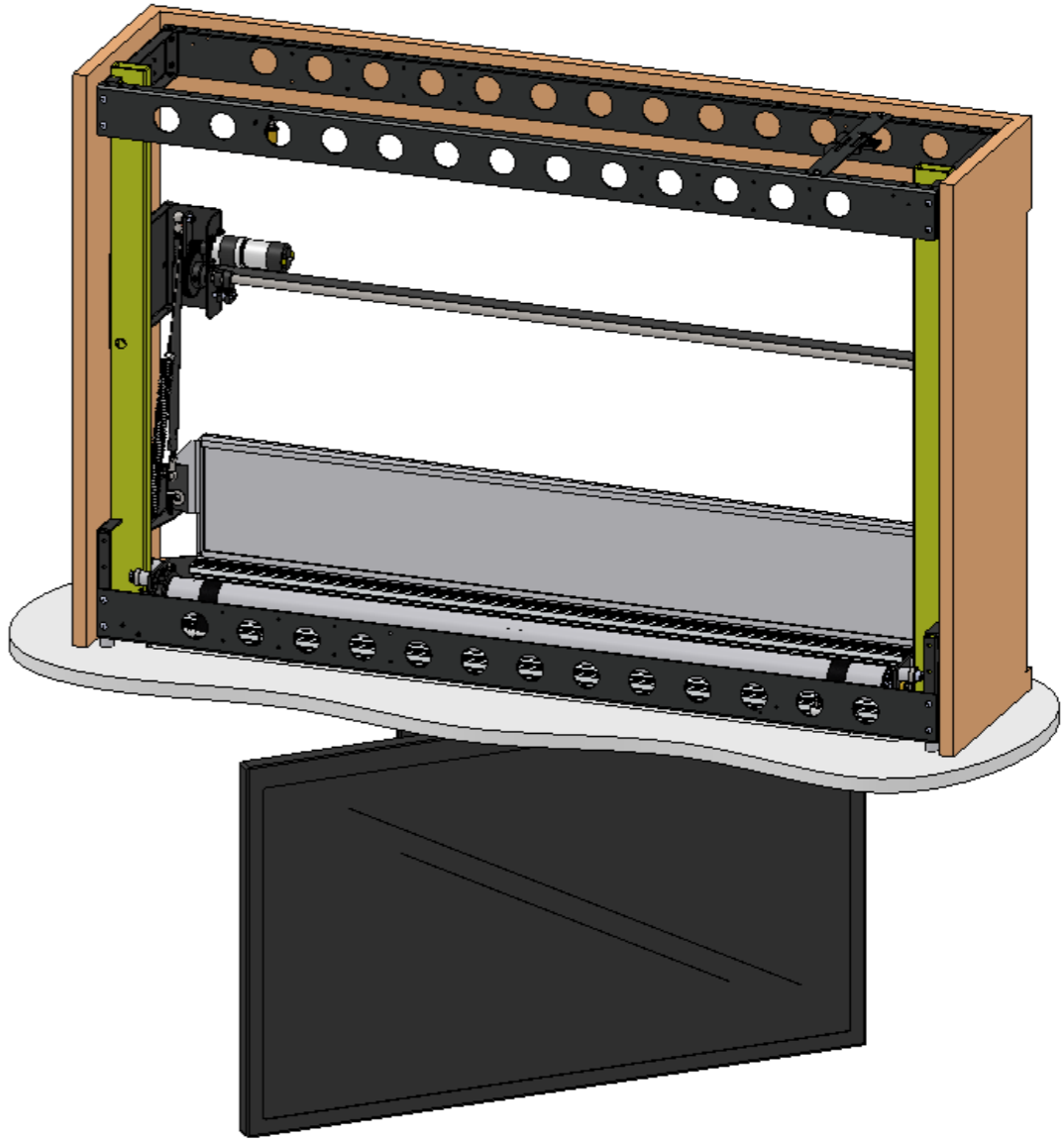
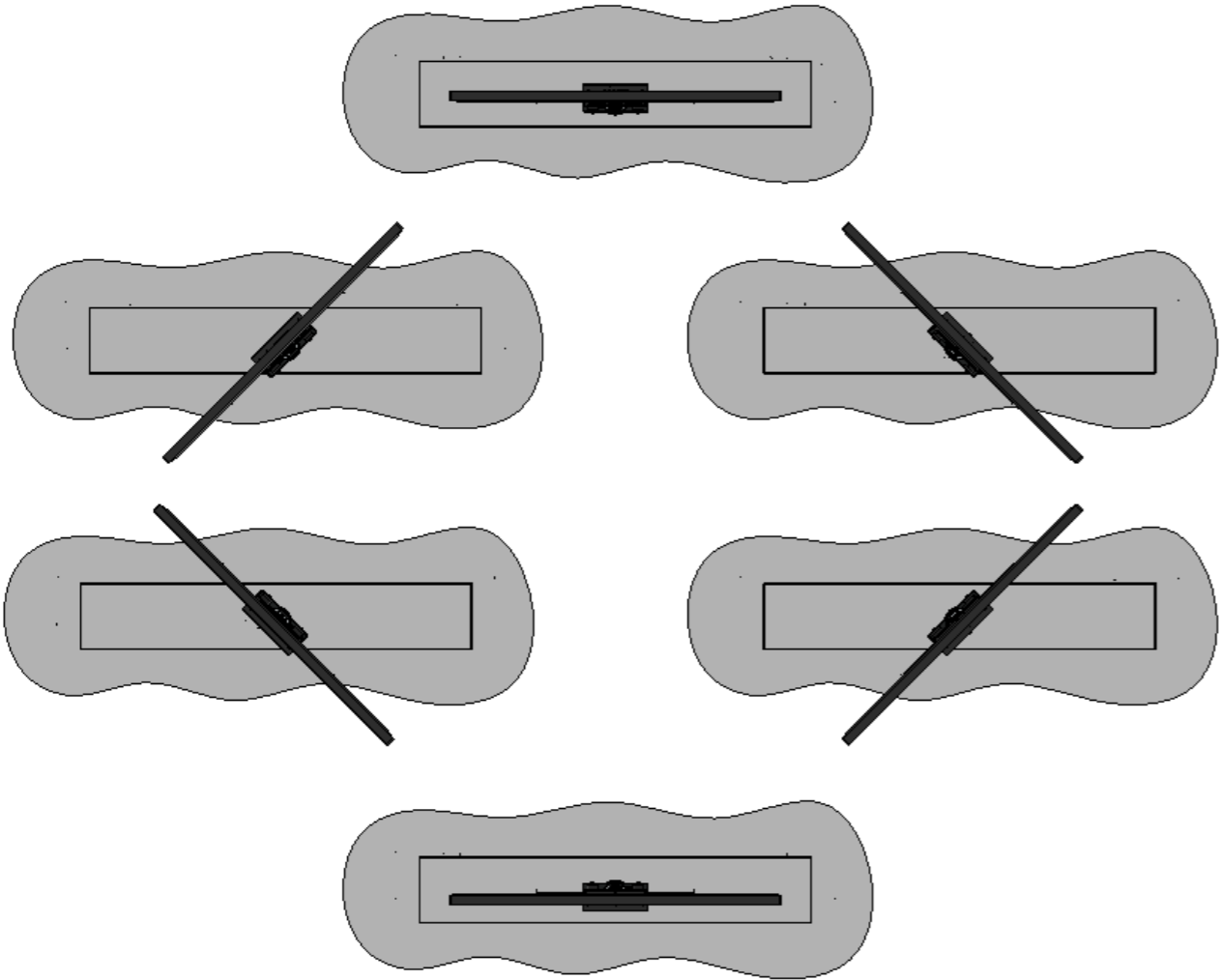
NOTE
When opting for a swivel mechanism maximum screen thickness is reduced to 140mm [5.5].

The swivel feature adds 20mm to the screen height in a 275 or 320 deep cabinet.

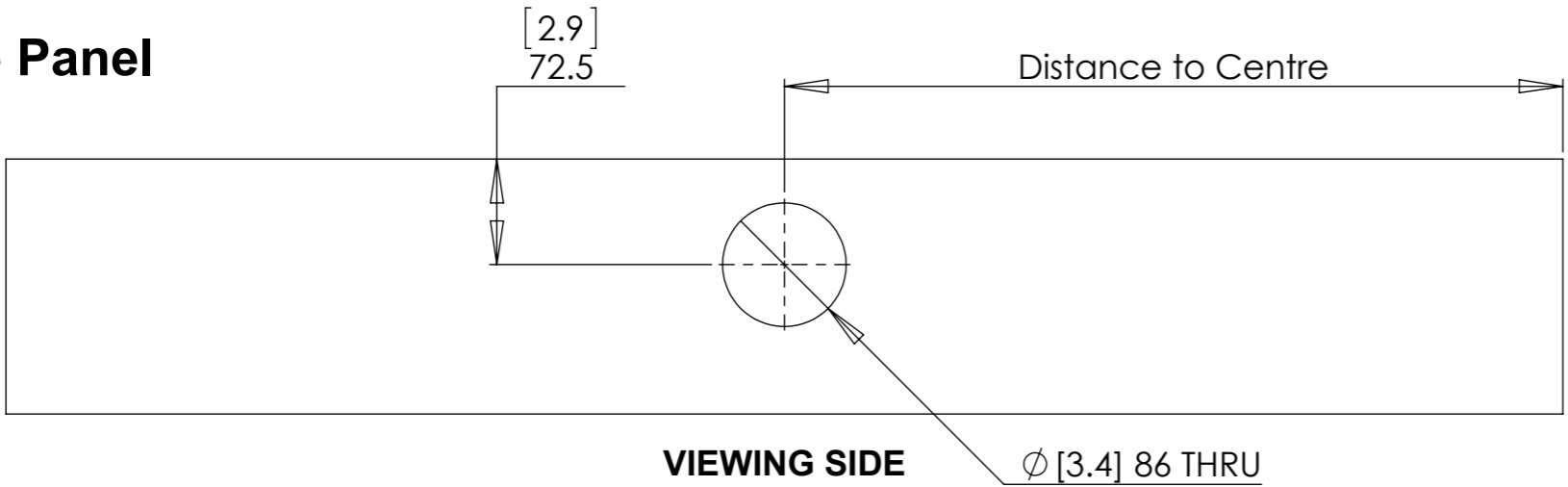
PLIS - Plasma Lift Swivel Inverted

2 way swivel can rotate through a maximum angle of 180° clockwise and anti-clockwise.

Up to four ser defined angular positions can be stored in the mechanisms memory via the IR remote.



Base Panel



The PLIS requires the same base panel dimensions as the PLI mechanism. The base panel used on a PLIS mechanism simply requires an additional hole cut out for the swivelling mount to fix through.

Dimensions shown are correct for Depth 275 and Depth 320 PLIS mechanisms.