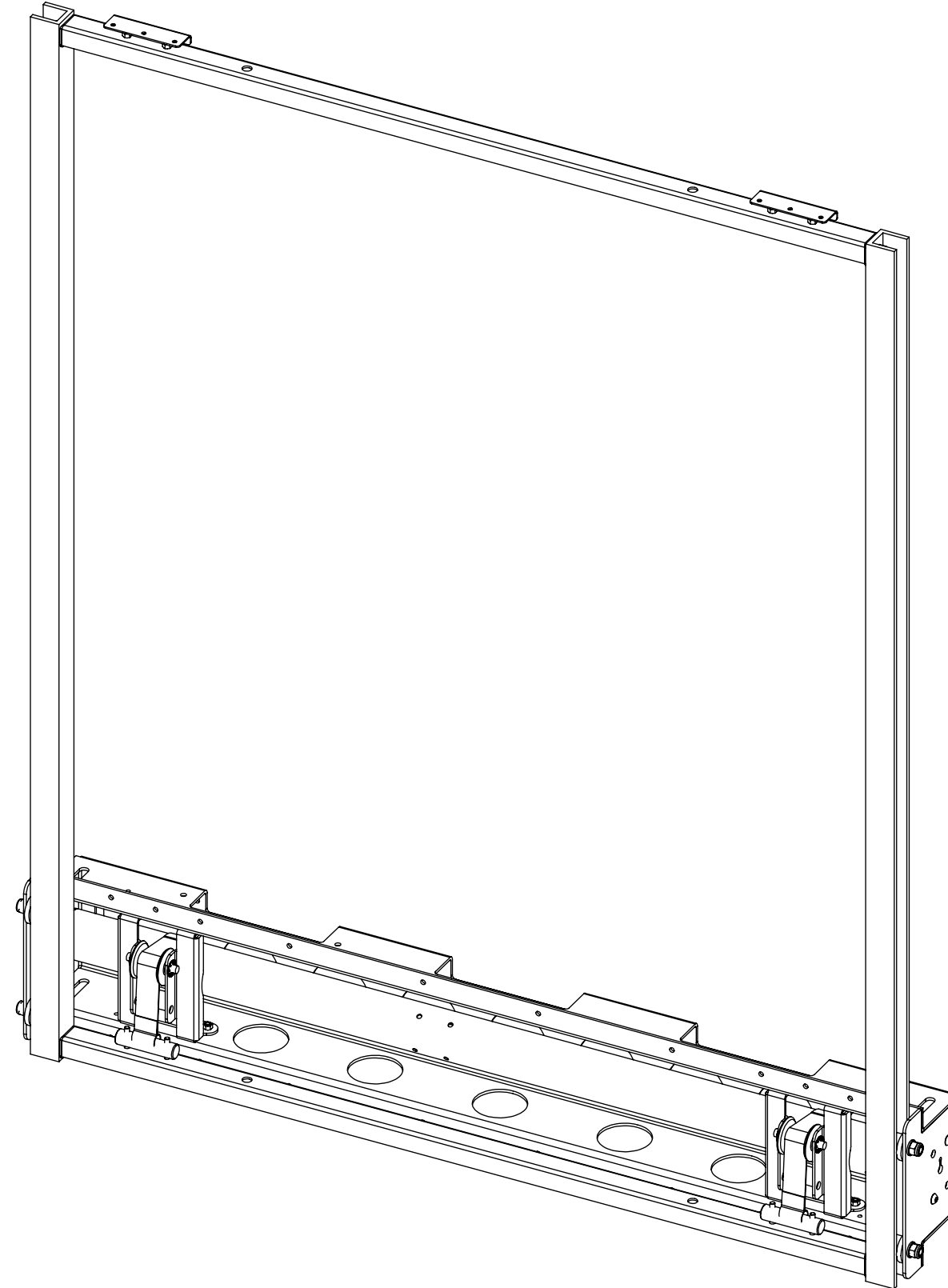


PIC-H3

PICTURE LIFT HEAVY



future automation



PIC-H3

PICTURE LIFT HEAVY



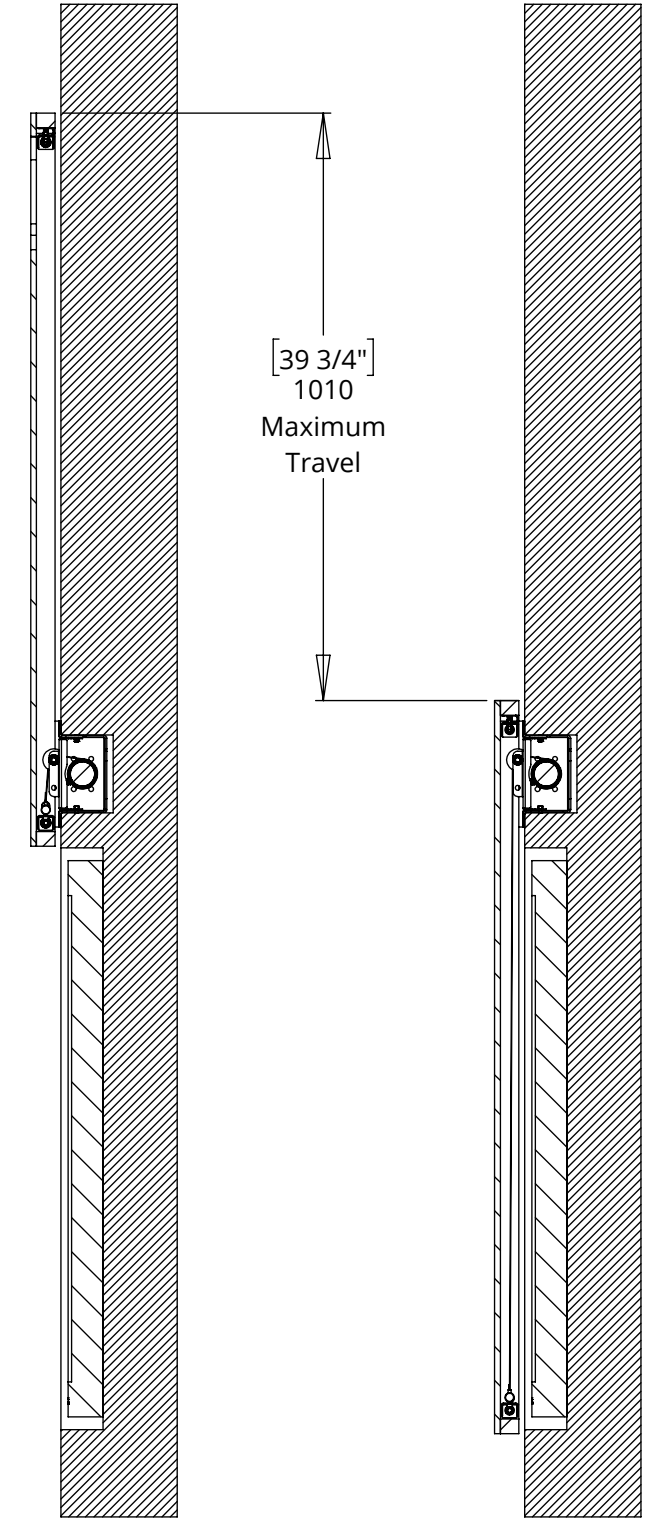
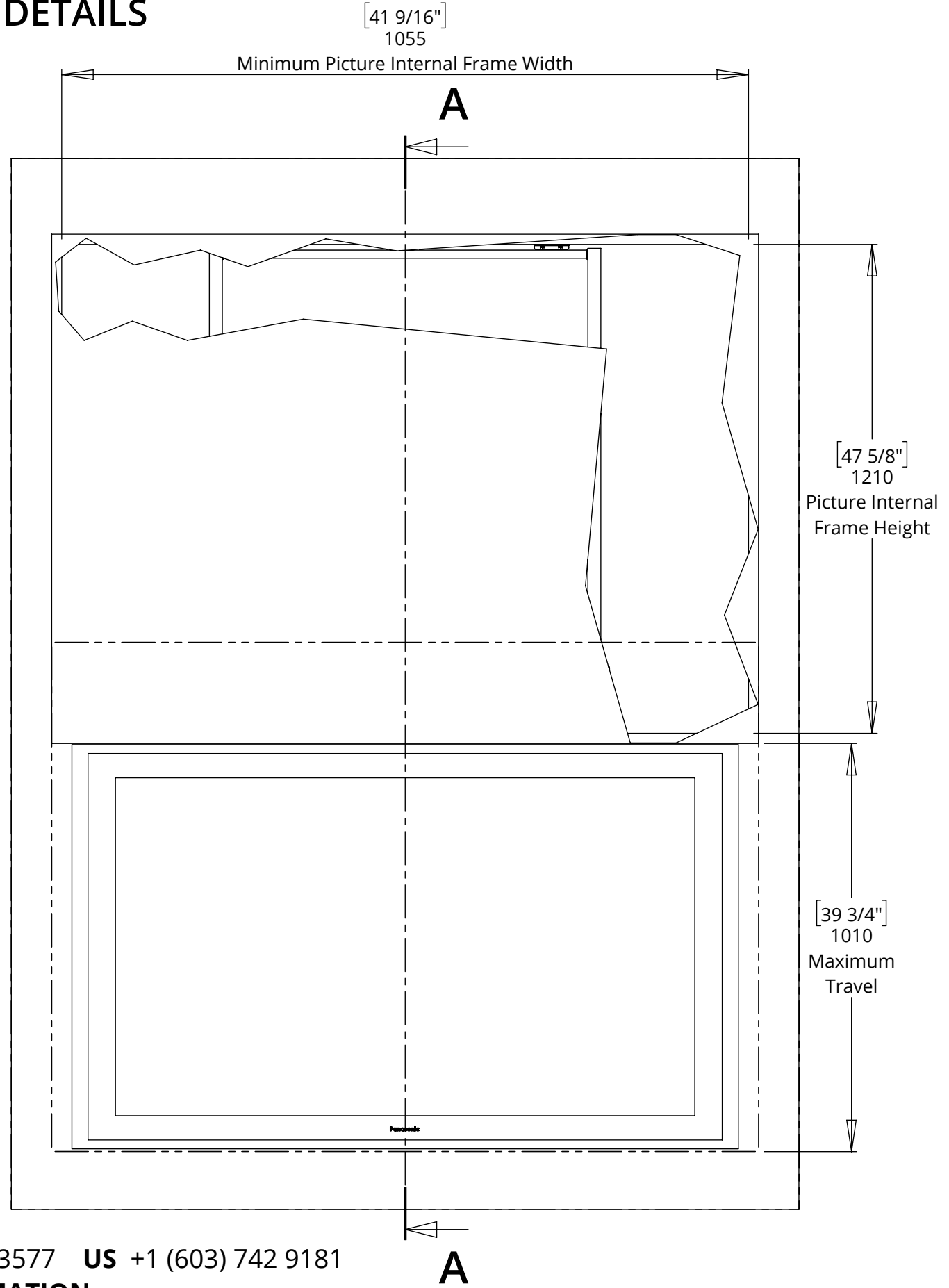
SPECIFICATION	MEASUREMENTS
Product Dimensions	1210mm (47 5/8") x 1012mm (39 13/16") x 121mm (4 3/4")
Maximum Weight Capacity	35Kg (77lb)
Maximum Travel	1010mm (39 3/4")
Product Weight	14Kg (30lb)
Packaging Dimensions	1300mm (51 3/16") x 310mm (12 3/16") x 240mm (9 7/16")
Shipping Weight	19Kg (42lb)
Movement Type	Motorised
Power Supply Required	110V - 240V AC
Power Consumption Max.	140W
Power Consumption Standby	3W
Control Options	IR Remote, RS232, Contact Closure
Product Options / Features	Custom RAL paint finishes
Package Contents	Mechanism, IR remote control
Marine Suitable	No

PIC-H3

PICTURE LIFT HEAVY



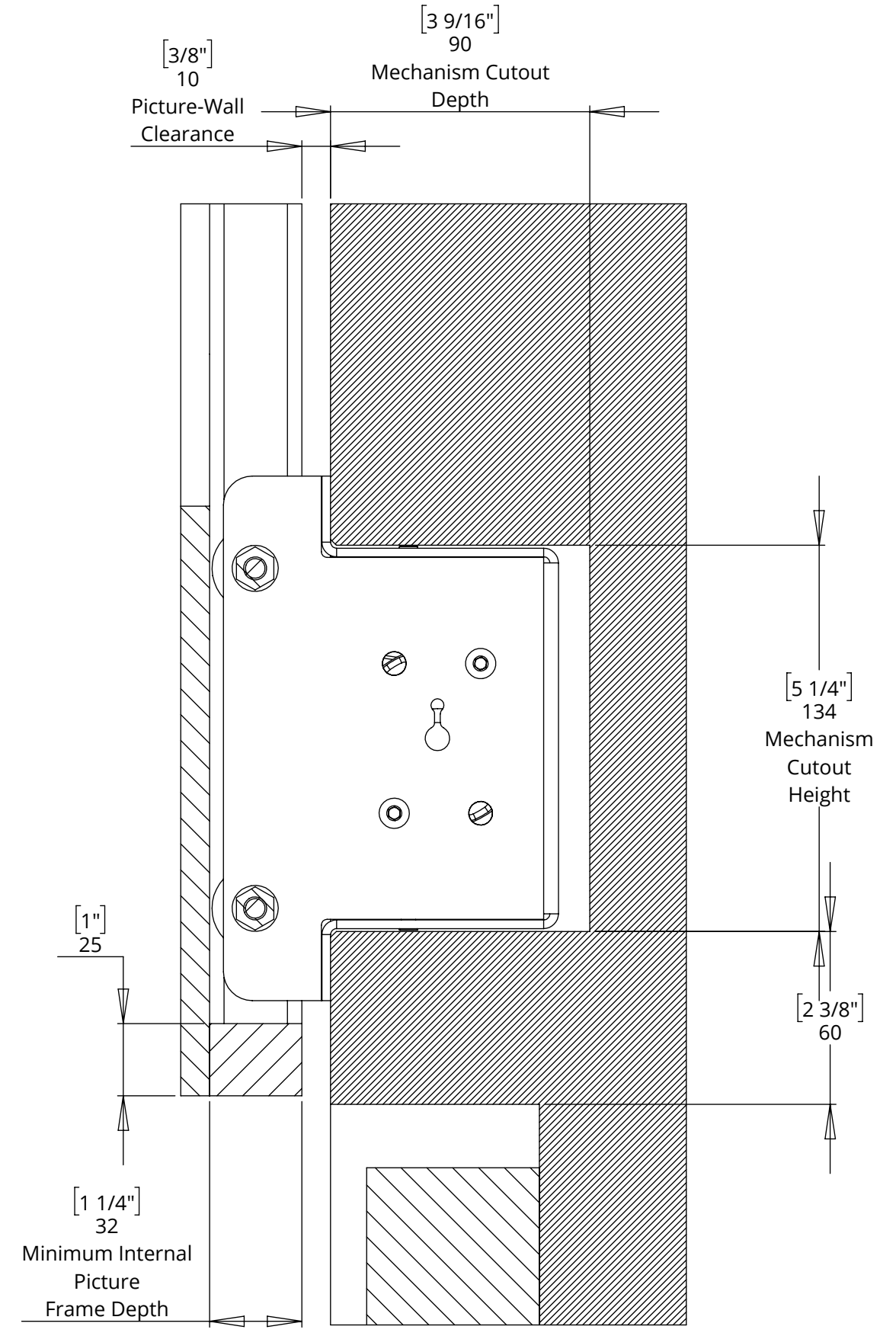
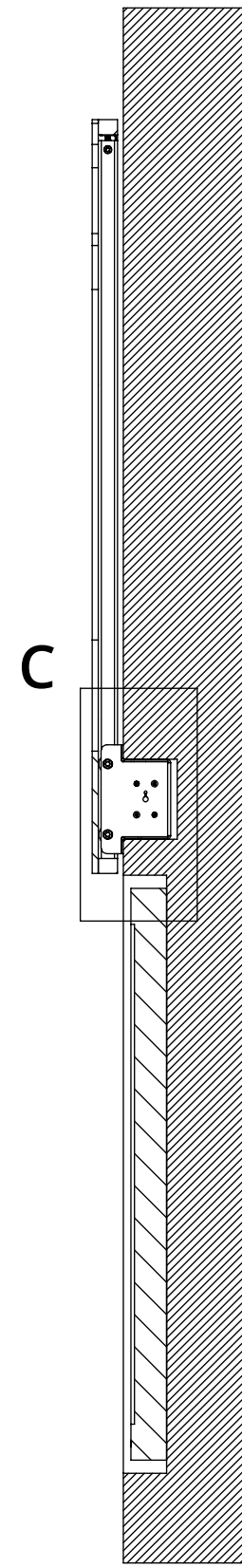
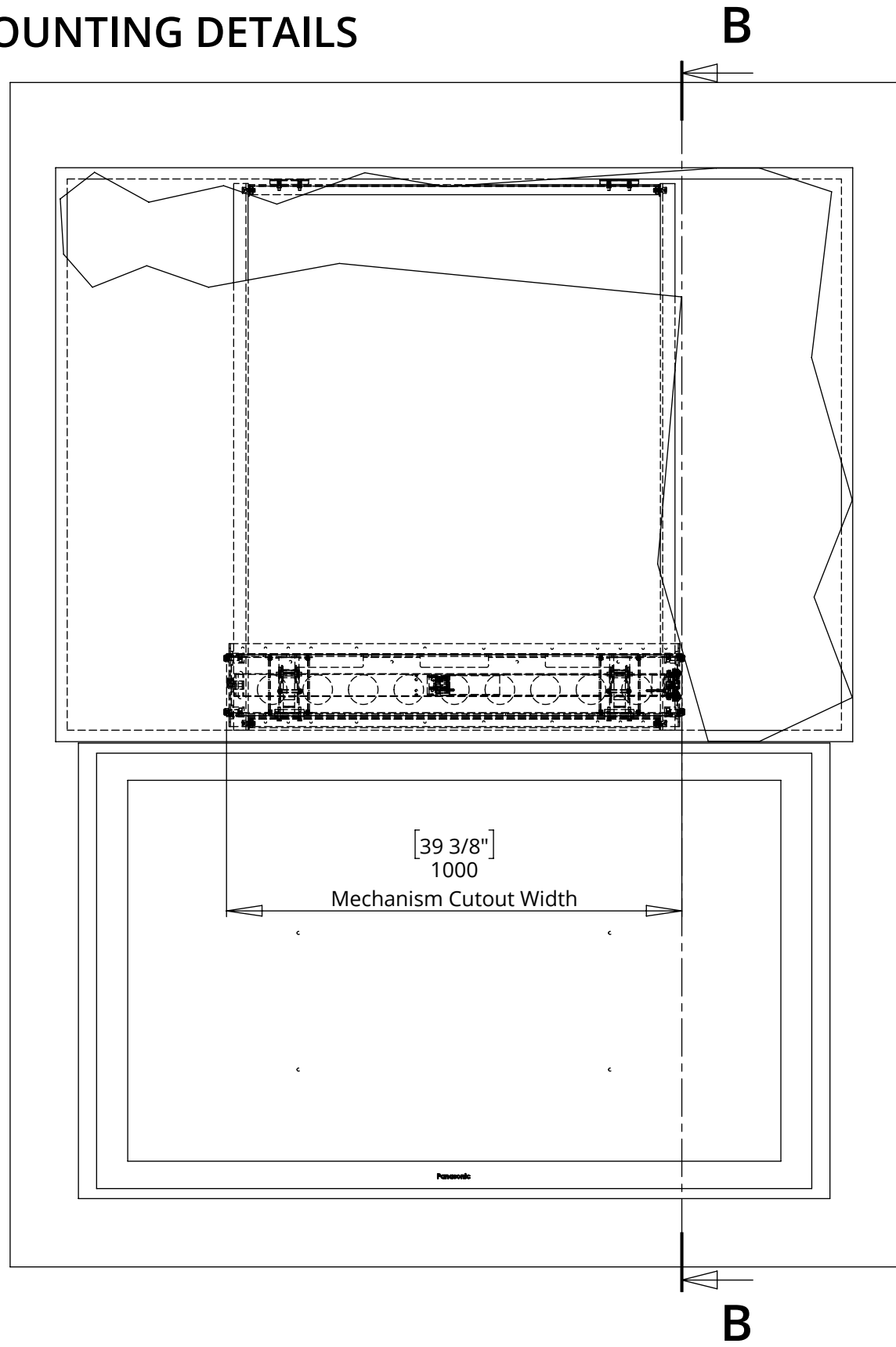
MECHANISM DETAILS



PIC-H3

PICTURE LIFT HEAVY

MOUNTING DETAILS

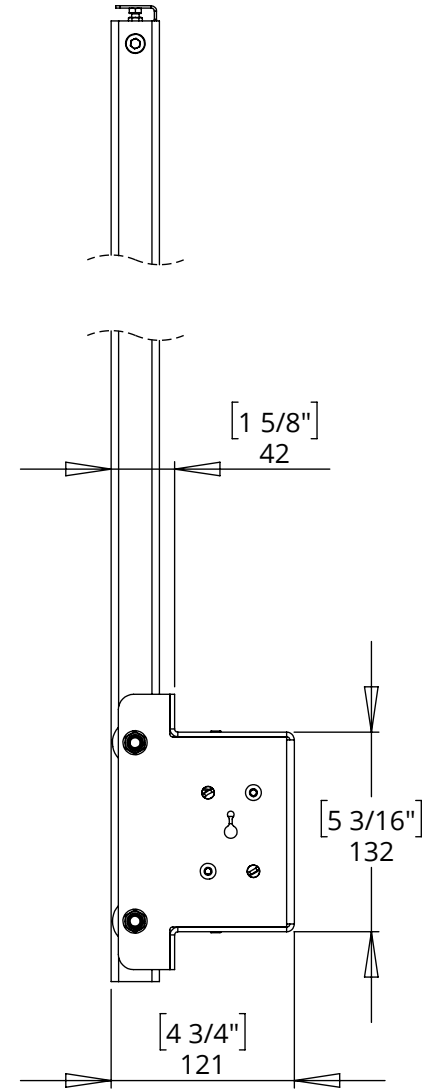
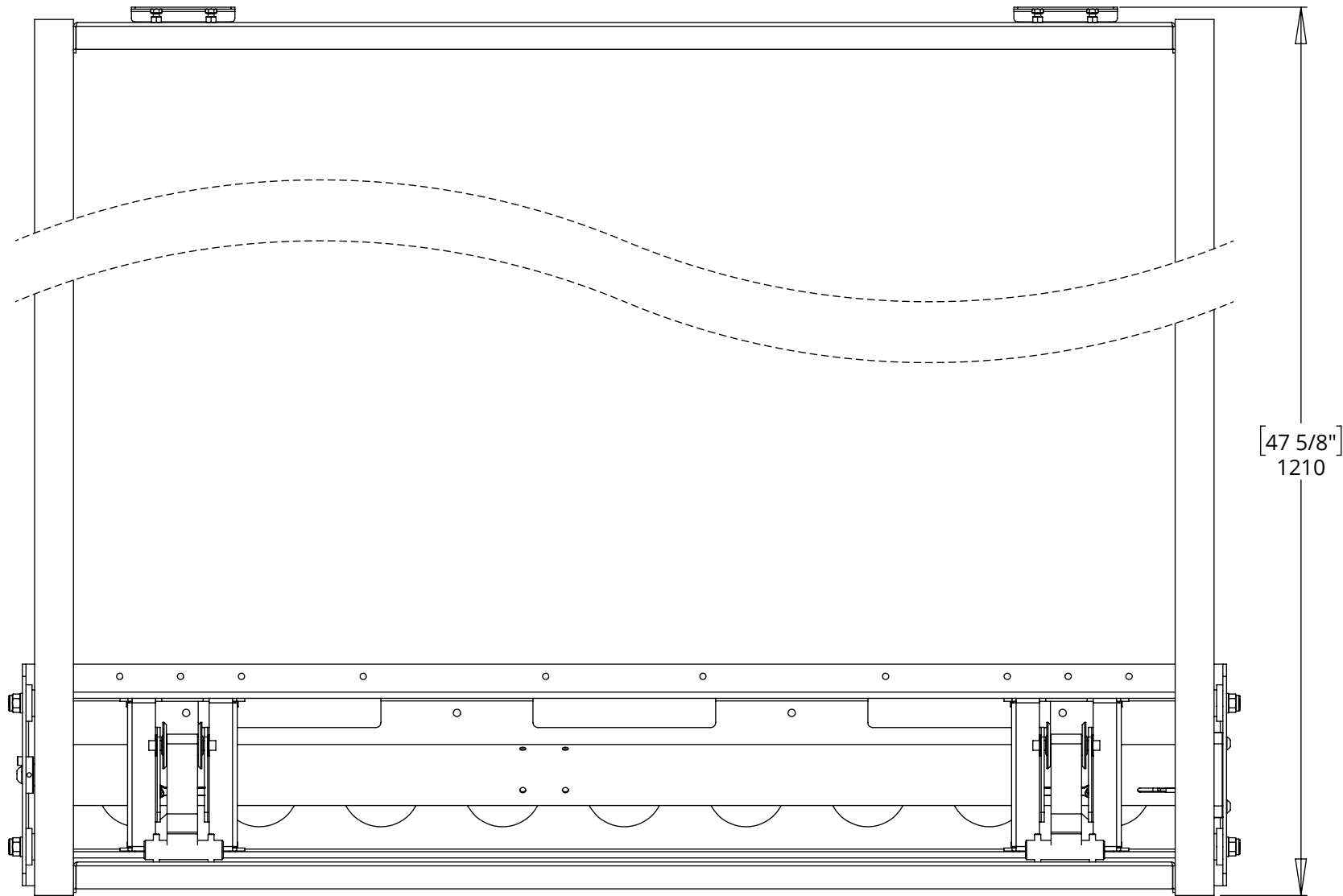
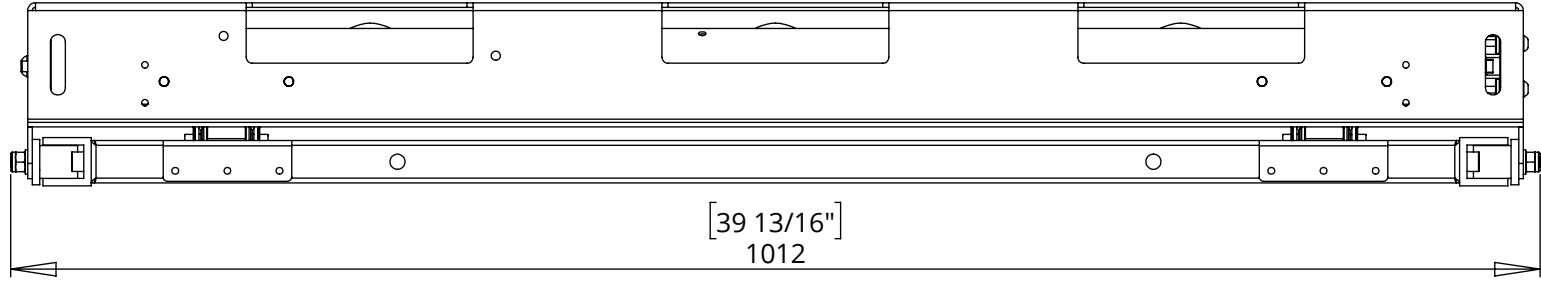


DETAIL C

PIC-H3

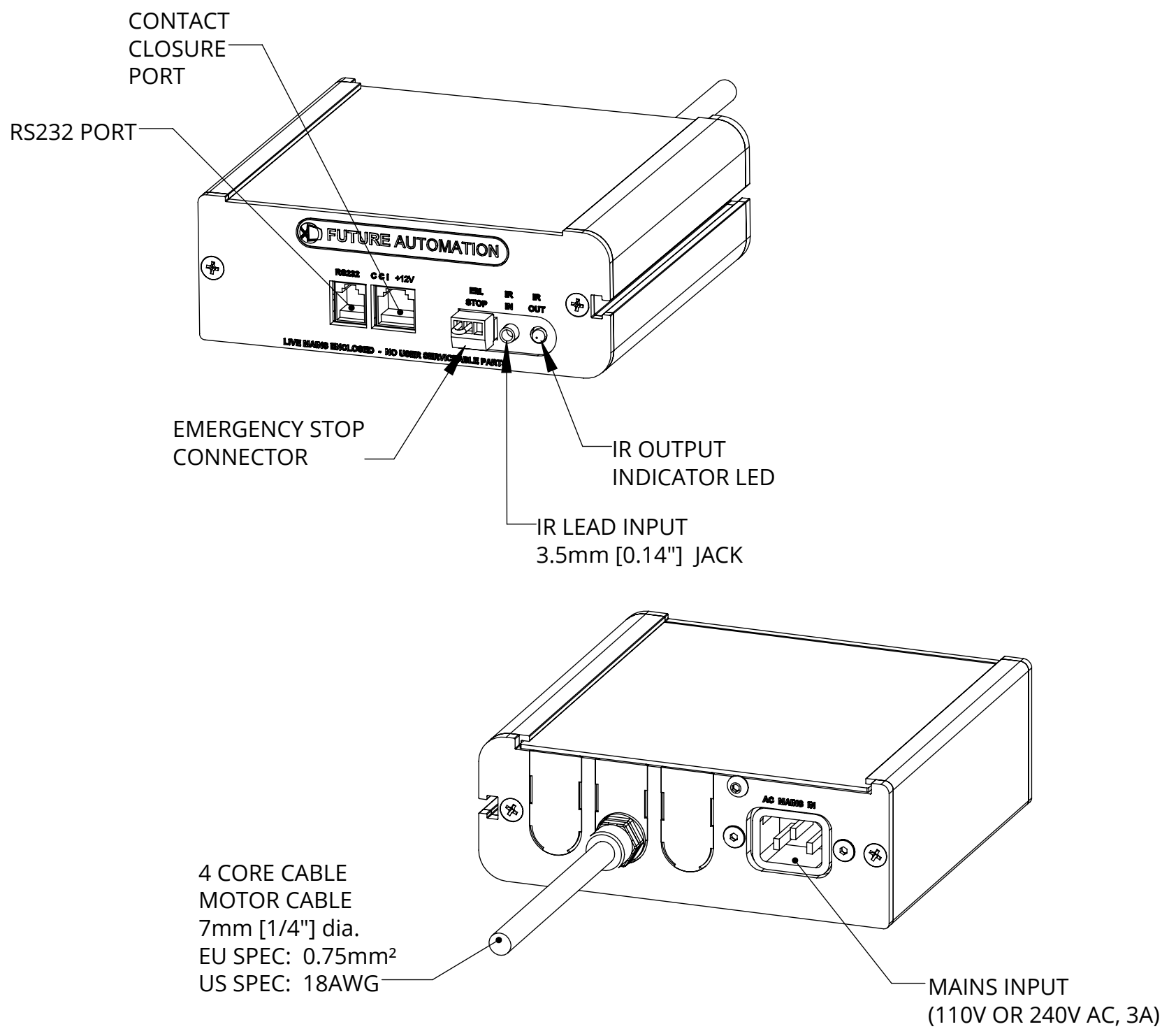
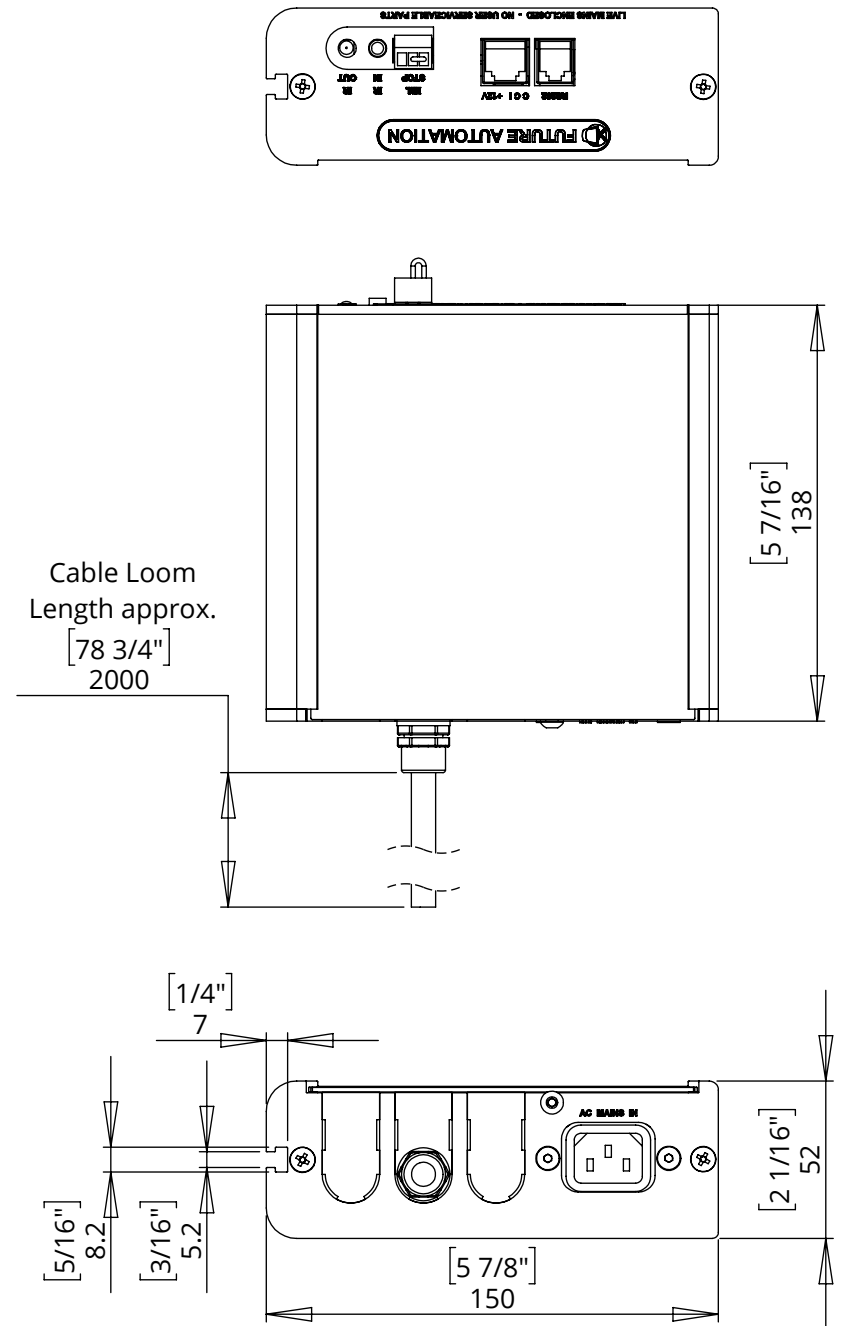
PICTURE LIFT HEAVY

MECHANISM DIMENSIONS



PIC-H3 PICTURE LIFT HEAVY

CONTROL BOX DETAILS



NOTES

- POWER SUPPLY UNIT (PSU) WILL ALLOW 110V OR 240V AC INPUT. THE SAME PSU IS USED FOR EU OR US MAINS SUPPLIES.
- OTHER THAN CONTROL CABLES, ALL CABLES TERMINATE AT CONTROL BOARD VIA STANDARD PHOENIX CONNECTORS.
- CABLE LOOM LENGTH SUPPLIED AT APPROX. 2m [78 3/4"]. LOOM CAN BE EXTENDED UP TO MAXIMUM OF APPROX. 10m [400"].
- MINIMUM CABLE BEND RADIUS 25mm [1"].