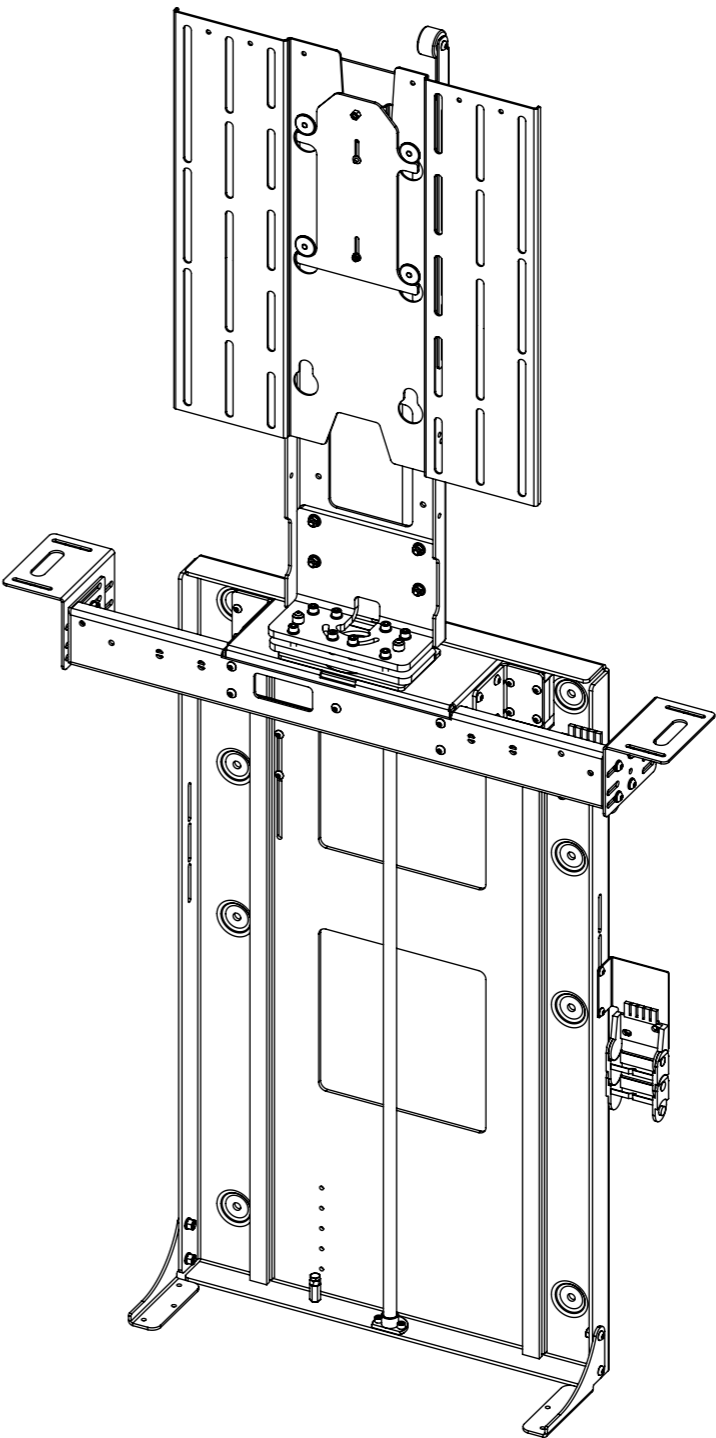
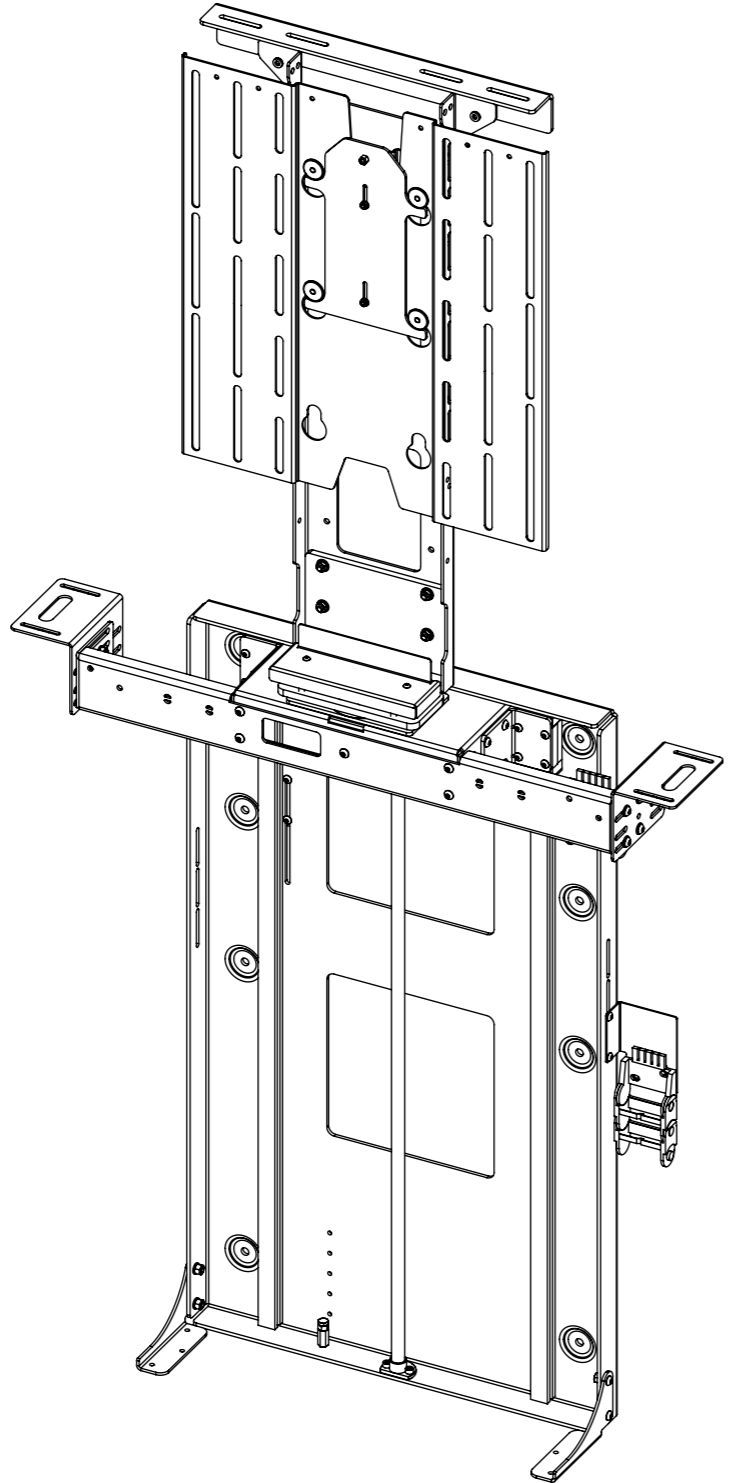


LSM-BE/PF 5

LIFT SYSTEM FOR BOX ENCLOSURE/PUSH FLAP



future automation



LSM-BE/PF 5

LIFT SYSTEM FOR BOX ENCLOSURE/PUSH FLAP



SPECIFICATION	MEASUREMENTS
Maximum Screen Height	730mm (28 3/4")
Maximum Lifting Capacity	50Kg (110lb)
Maximum Lifting Capacity (Marine)	30Kg (66lb)
Internal Cabinet Height	880mm (34 5/8")
Decibel Rating	52 dB
Packaging Dimensions	1080 x 850 x 330mm (42 1/2 x 33 7/16 x 13")
Shipping Weight	35Kg (77lb)
Movement Type	Motorised
Power Supply Required	110V - 240V AC
Power Consumption	250 - 500W
Power Consumption Standby	3W
Mounting Patterns Supported	VESA 400, 300, 200 W x 400, 300, 200 H
Control Options	IR Remote, RS232, Contact Closure, RF Available
Product Options / Features	Specific B&O and Loewe mounts / adapters, Custom RAL paint finishes
Package Contents	Mechanism, IR remote control, Push Flap Kit, Box Enclosure Kit
Marine Suitable	Yes

LSM-BE/PF 5

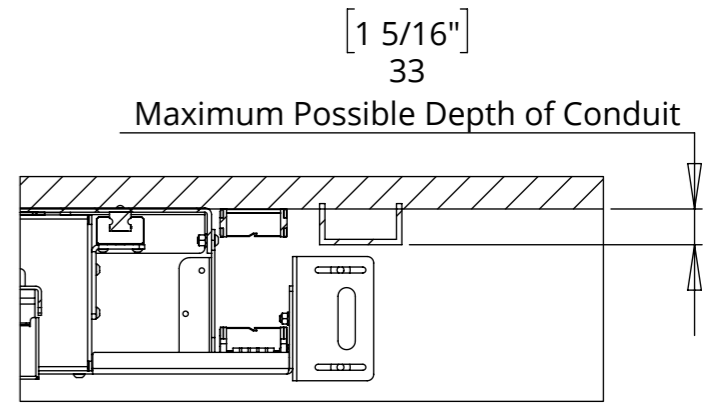
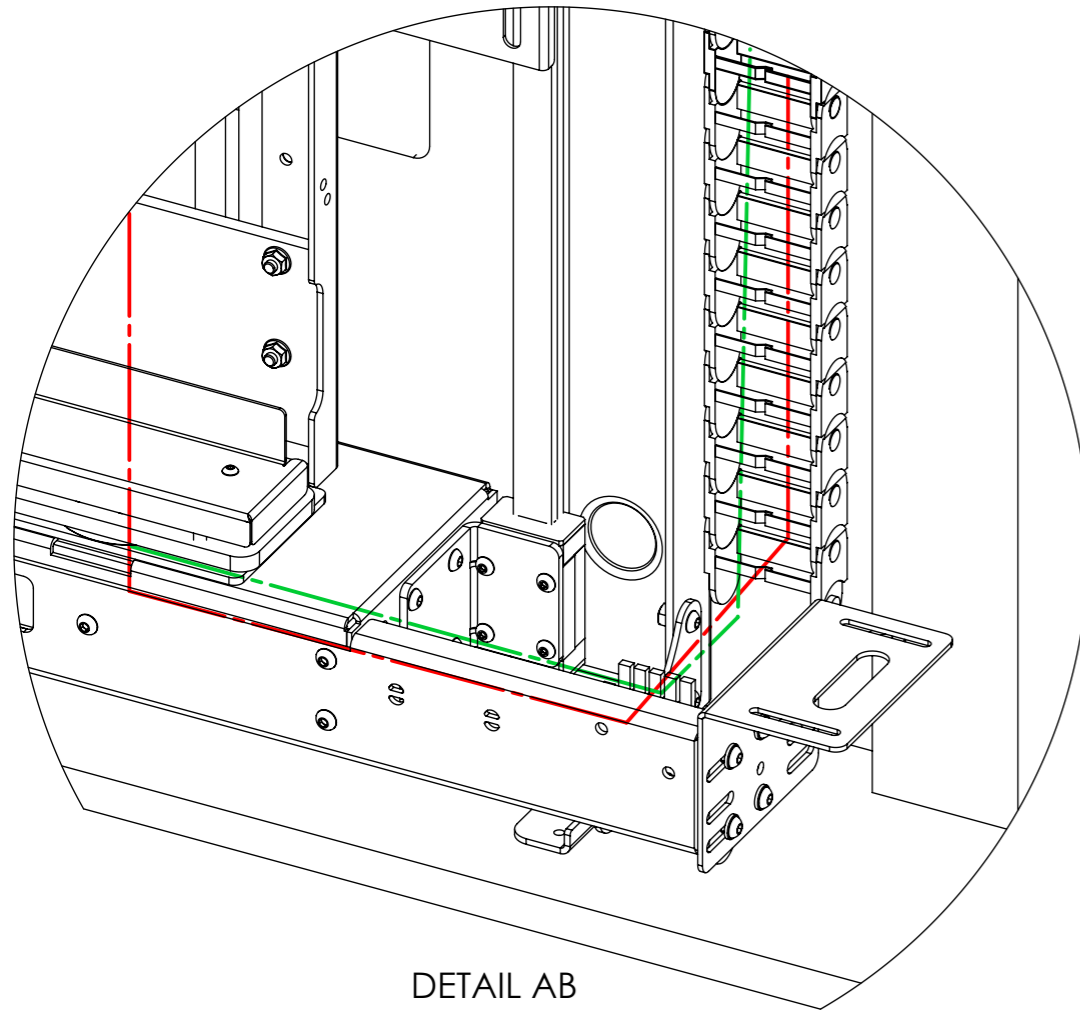
LIFT SYSTEM FOR BOX ENCLOSURE/PUSH FLAP

CABLE ROUTING

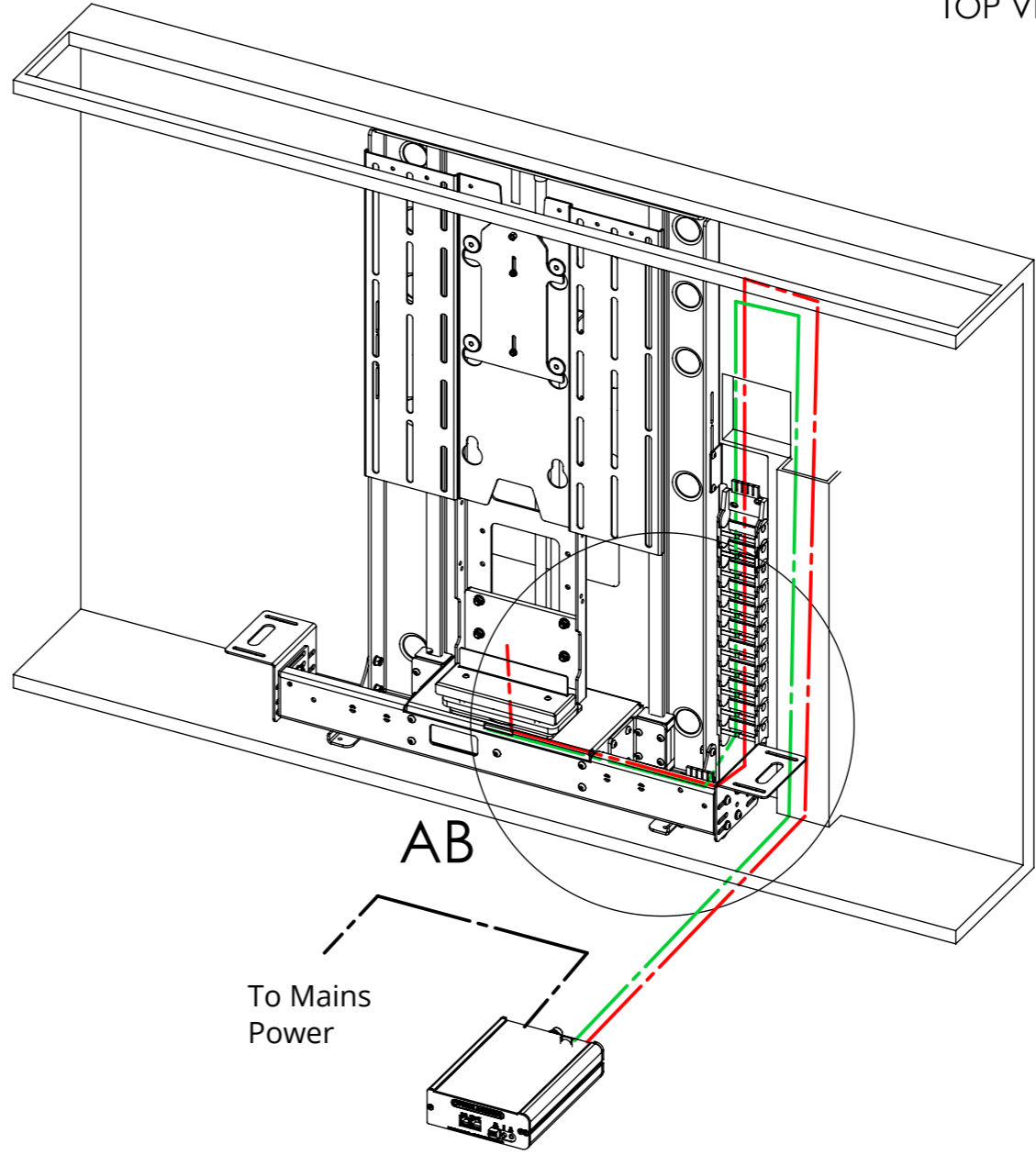
The LSM has an easily removable Mount Cover that cables from the screen can be routed underneath. Cables then travel through the centre of the Mount Boss and into the beam. Cables must be routed carefully to prevent any interference with the LSM beam as it operates.

Screen and Mechanism cables should be routed to a control box outside of the cabinet via an opening in the back of the cabinet or a conduit leading to the bottom.

- - - - - SCREEN CABLES
- - - - - MECHANISM CABLES
- - - - - POWER CABLE

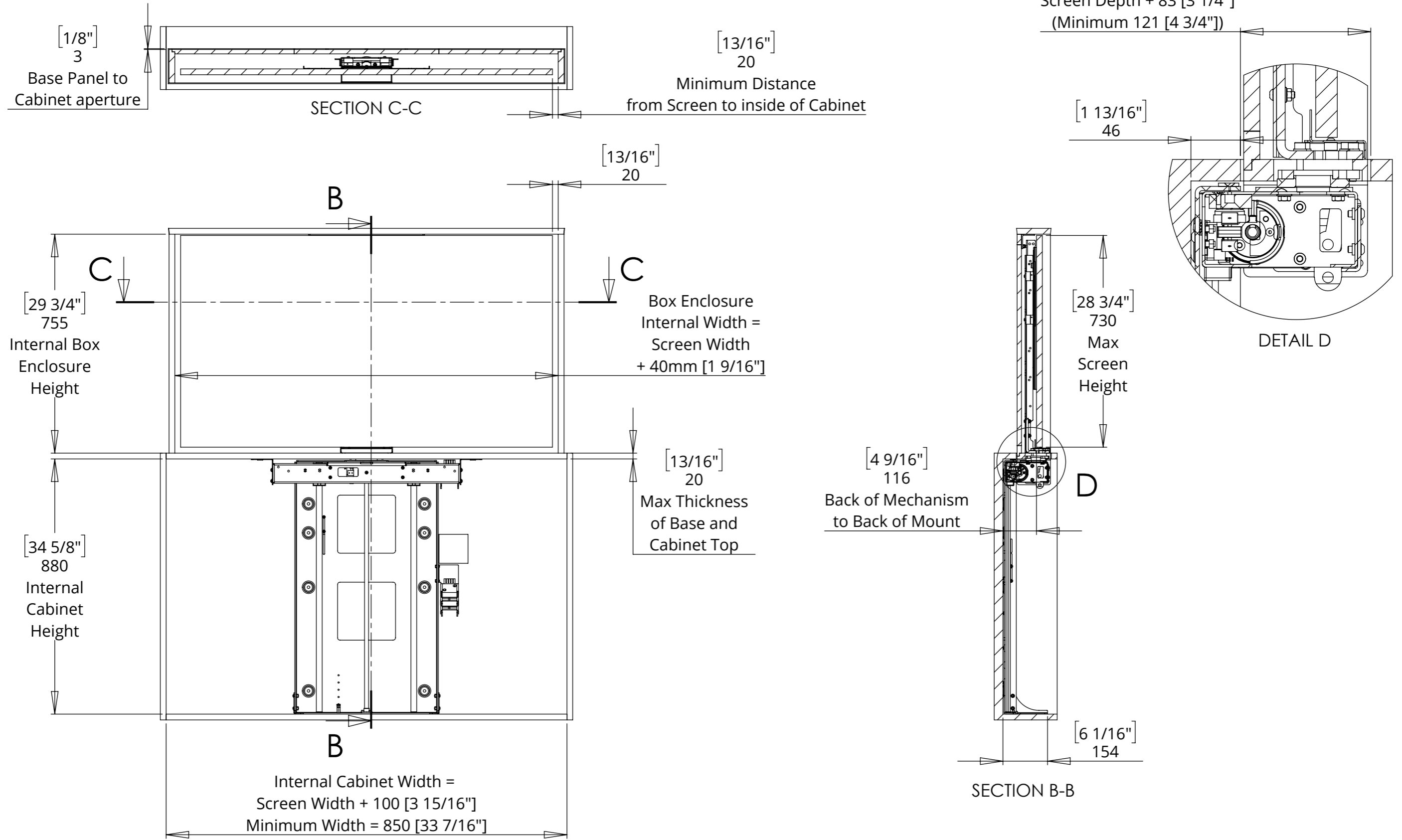


TOP VIEW



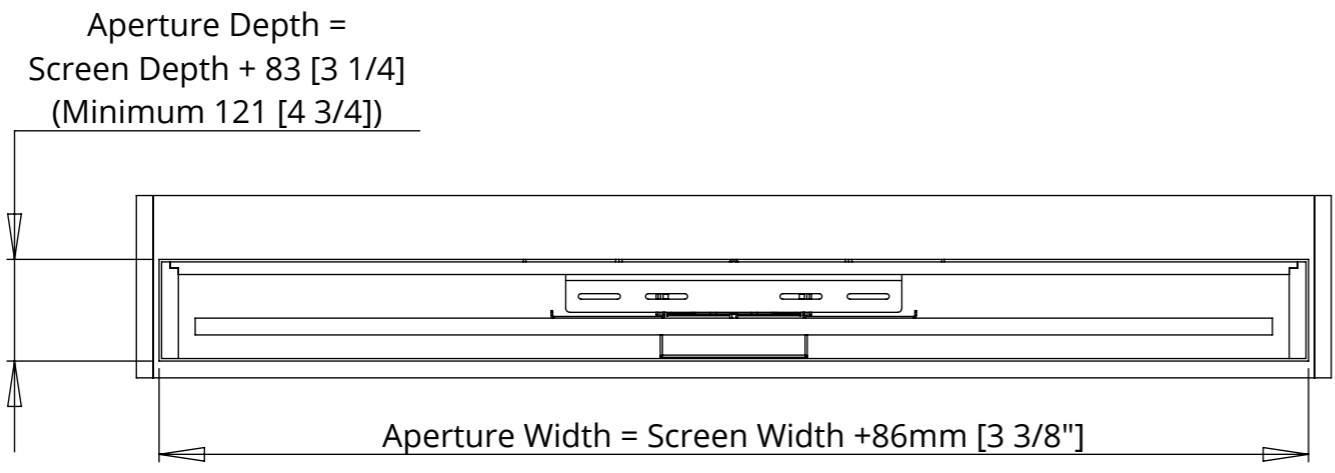
LSM-BE/PF 5 LIFT SYSTEM FOR BOX ENCLOSURE/PUSH FLAP

LSM-BE 5 - MECHANISM UP - IN CABINET

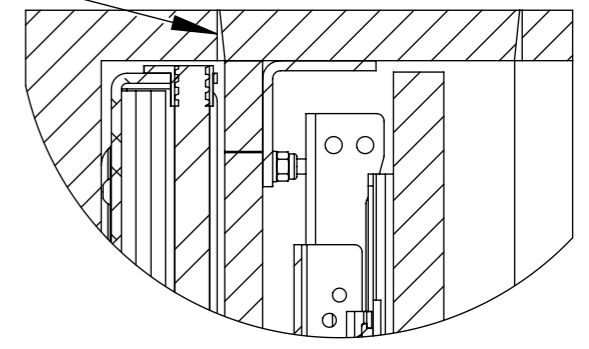


LSM-BE/PF 5 LIFT SYSTEM FOR BOX ENCLOSURE/PUSH FLAP

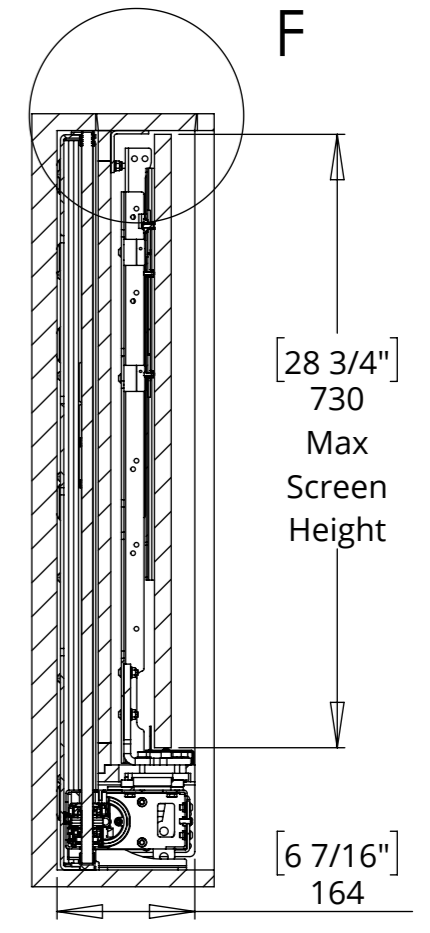
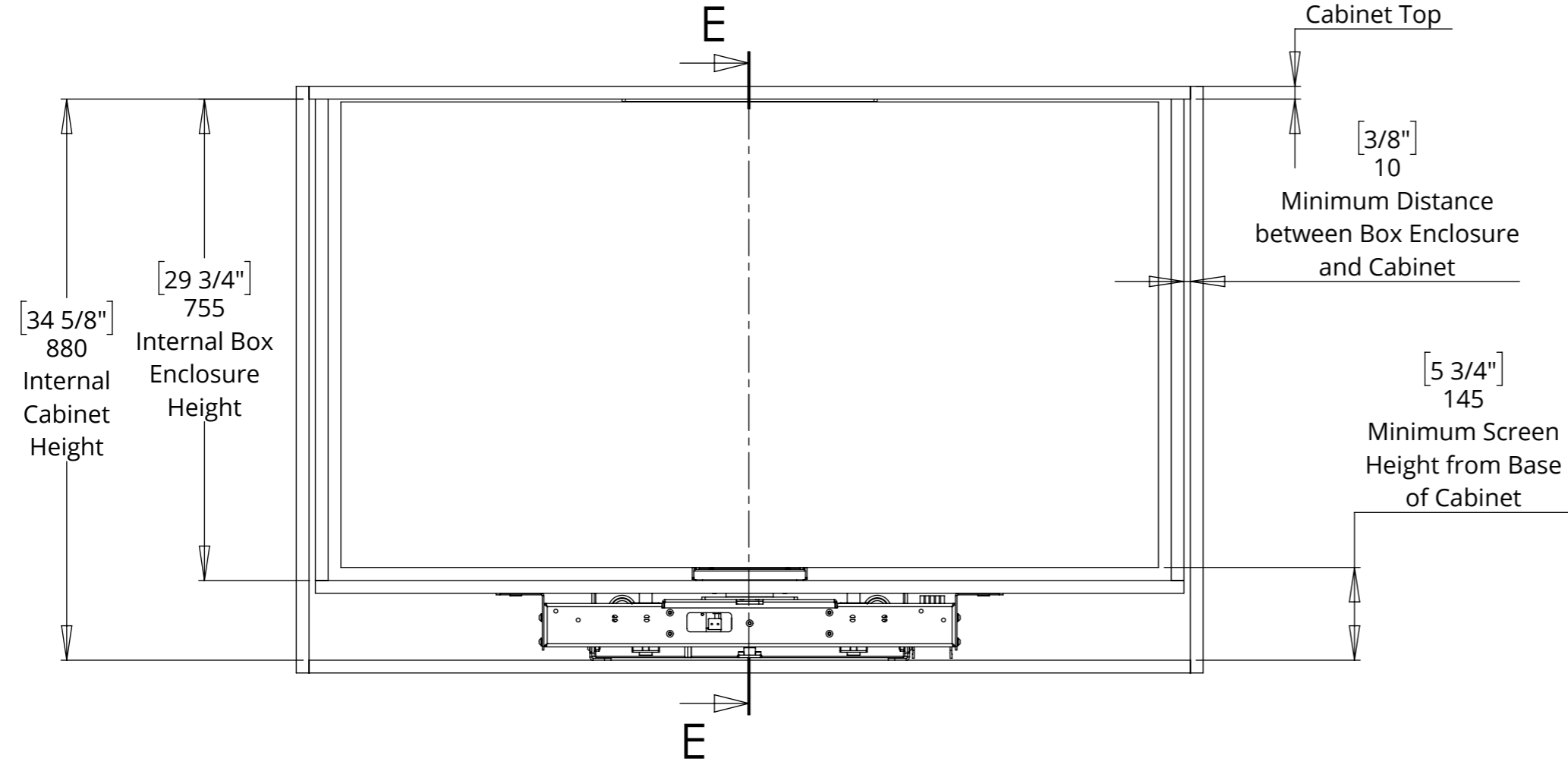
LSM-BE 5 - MECHANISM DOWN - IN CABINET



Shown with tapered Box Enclosure Lid in square Cabinet Aperture.
A tapered Cabinet Aperture can be used to improve the fit.



DETAIL F



SECTION E-E

LSM-BE/PF 5



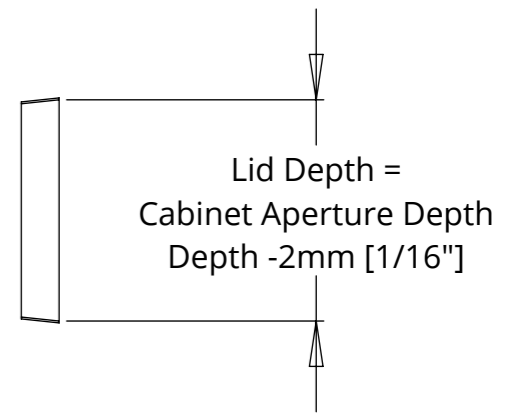
future automation

LIFT SYSTEM FOR BOX ENCLOSURE/PUSH FLAP

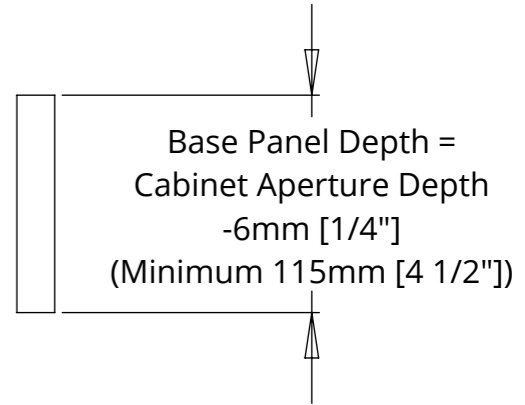
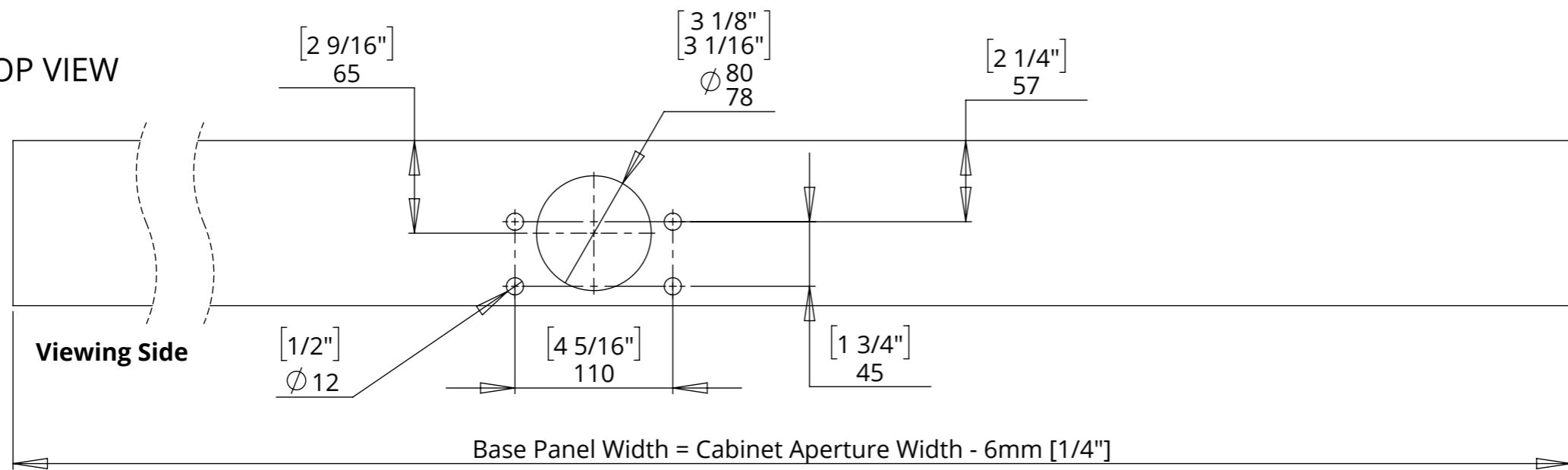
BOX ENCLOSURE BASE PANEL AND LID DETAILS

NOTE: A tapered Box Enclosure Lid creates a good fit in the Cabinet Aperture and helps the Box Enclosure to locate within the cabinet.

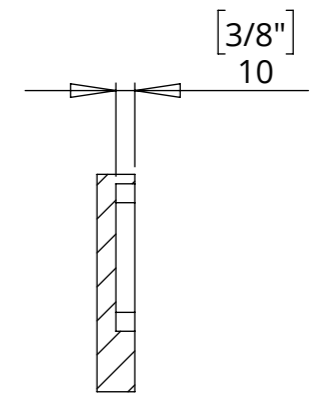
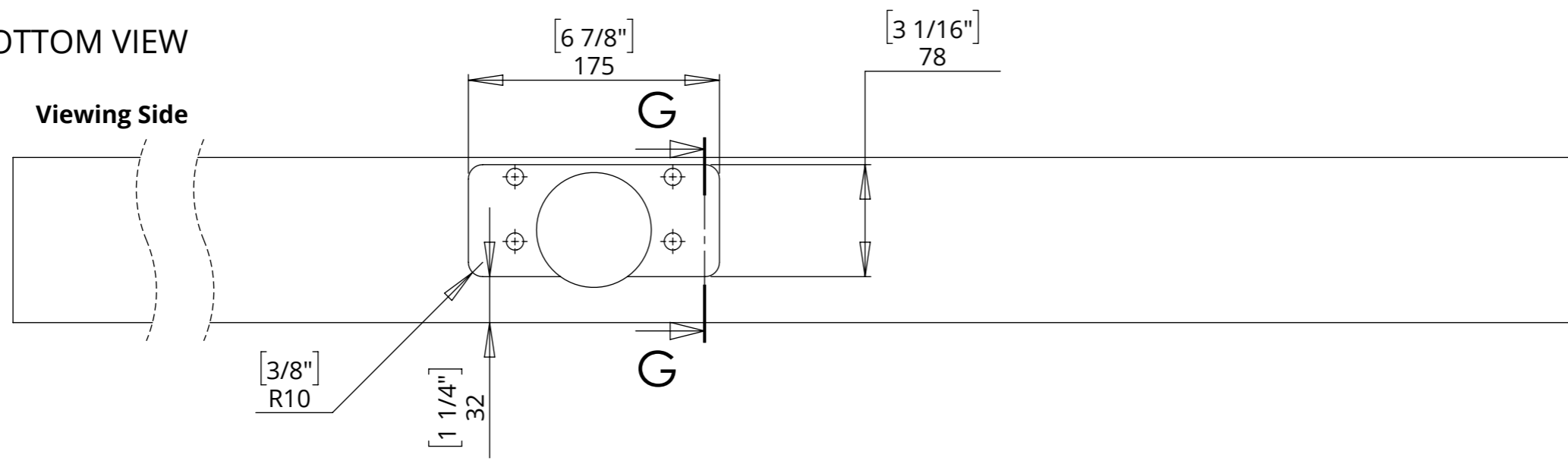
BOX ENCLOSURE LID (TAPERED) TOP VIEW



BASE PANEL TOP VIEW



BASE PANEL BOTTOM VIEW

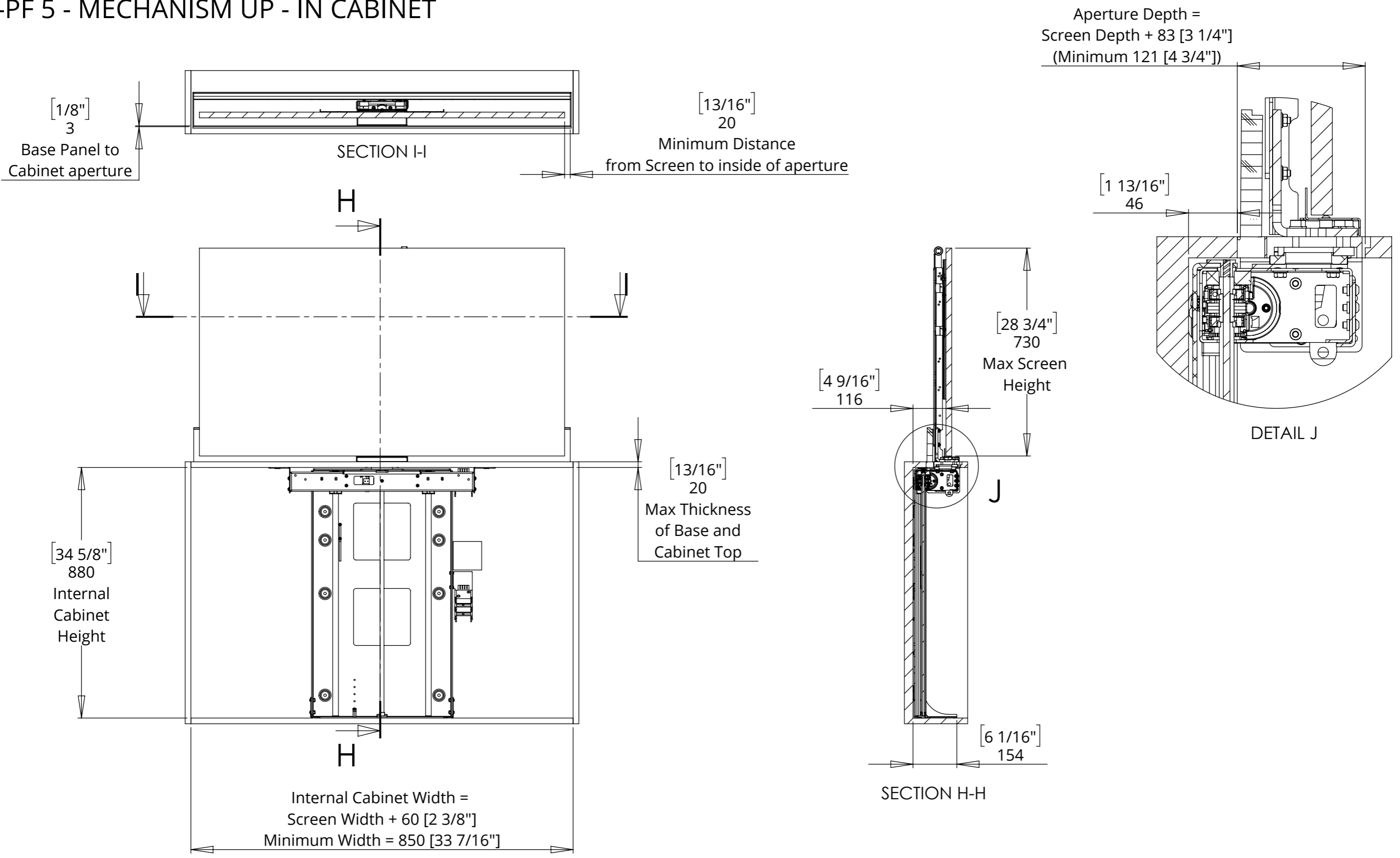


SECTION G-G

LSM-BE/PF 5

LIFT SYSTEM FOR BOX ENCLOSURE/PUSH FLAP

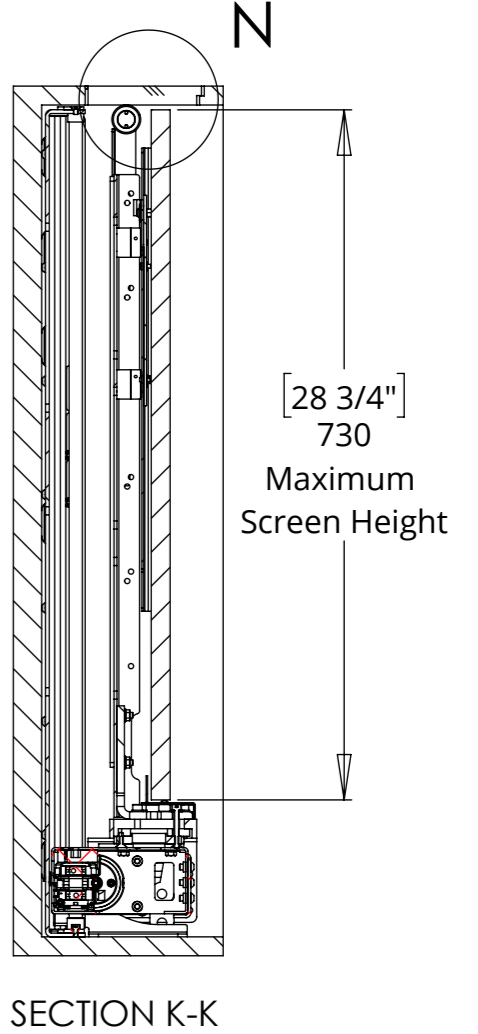
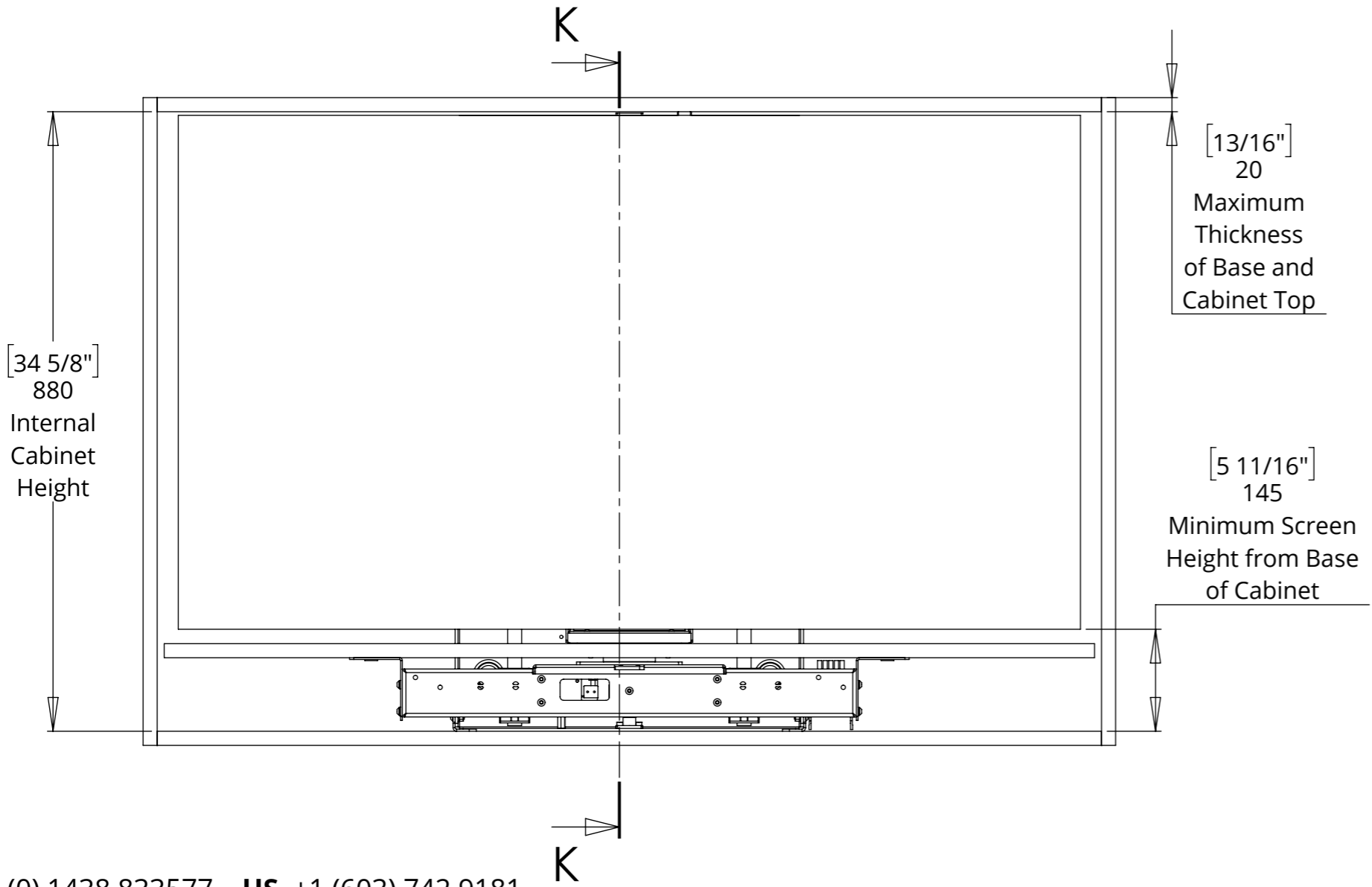
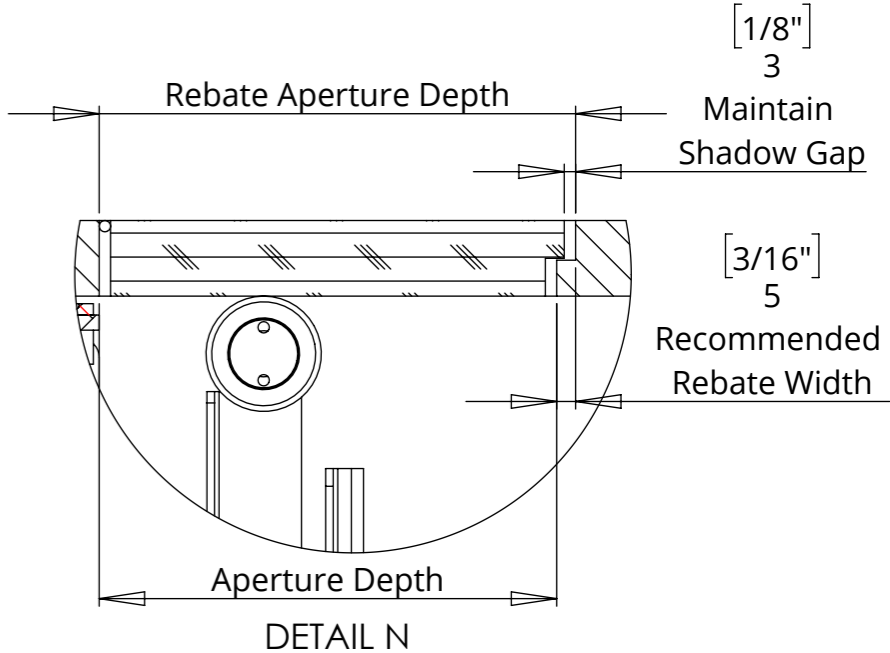
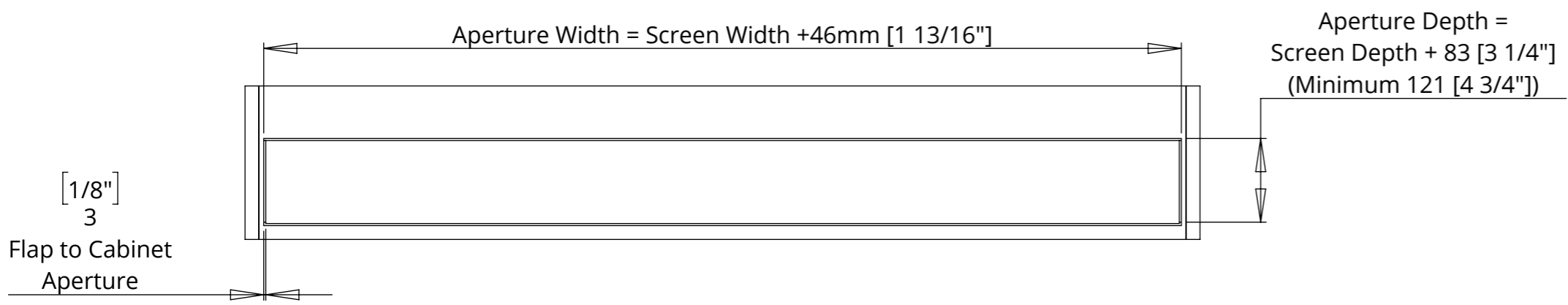
LSM-PF 5 - MECHANISM UP - IN CABINET



LSM-BE/PF 5

LIFT SYSTEM FOR BOX ENCLOSURE/PUSH FLAP

LSM-PF 5 - MECHANISM DOWN - IN CABINET



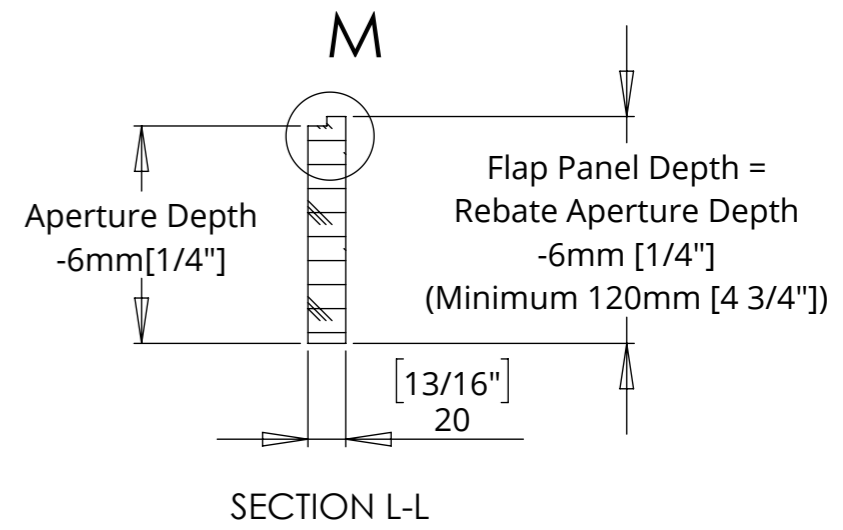
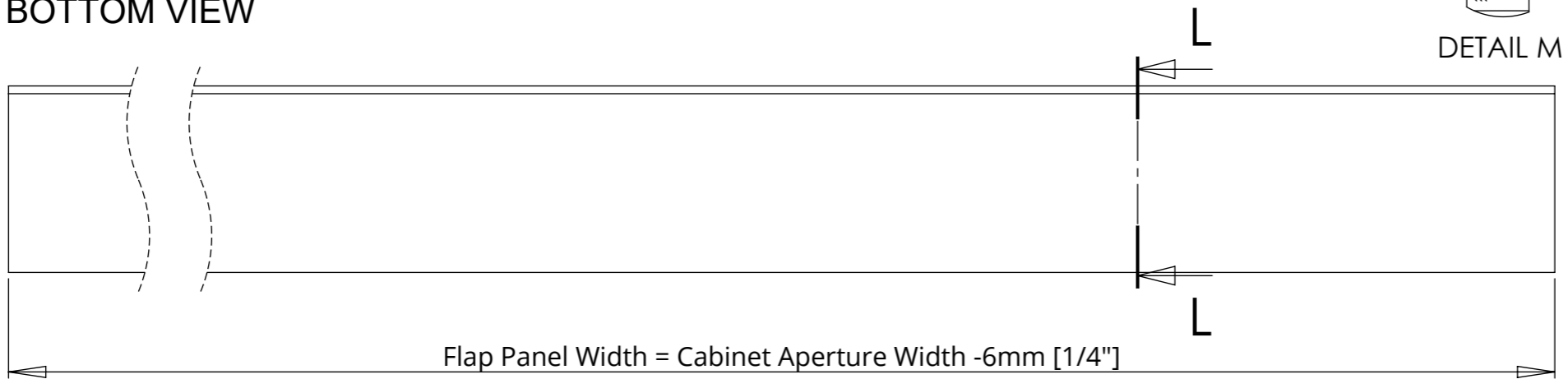
LSM-BE/PF 5 LIFT SYSTEM FOR BOX ENCLOSURE/PUSH FLAP

PUSH FLAP BASE PANEL AND FLAP DETAILS

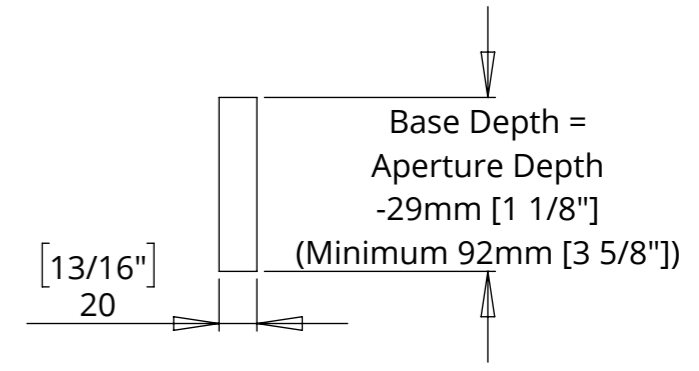
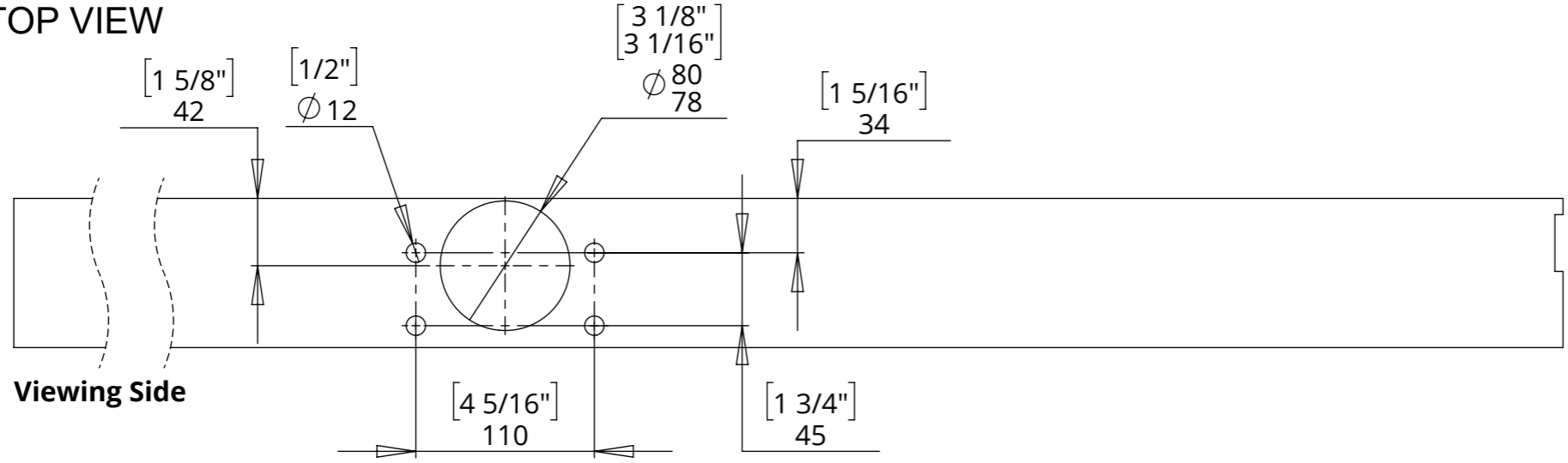
Flap depth dimensions are based on a 3mm thick piano hinge
Required flap dimensions may vary dependant on the hinge used

A step is required on the front of the flap to meet a step in the front edge of the cabinet aperture

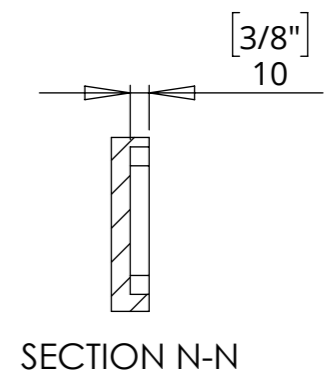
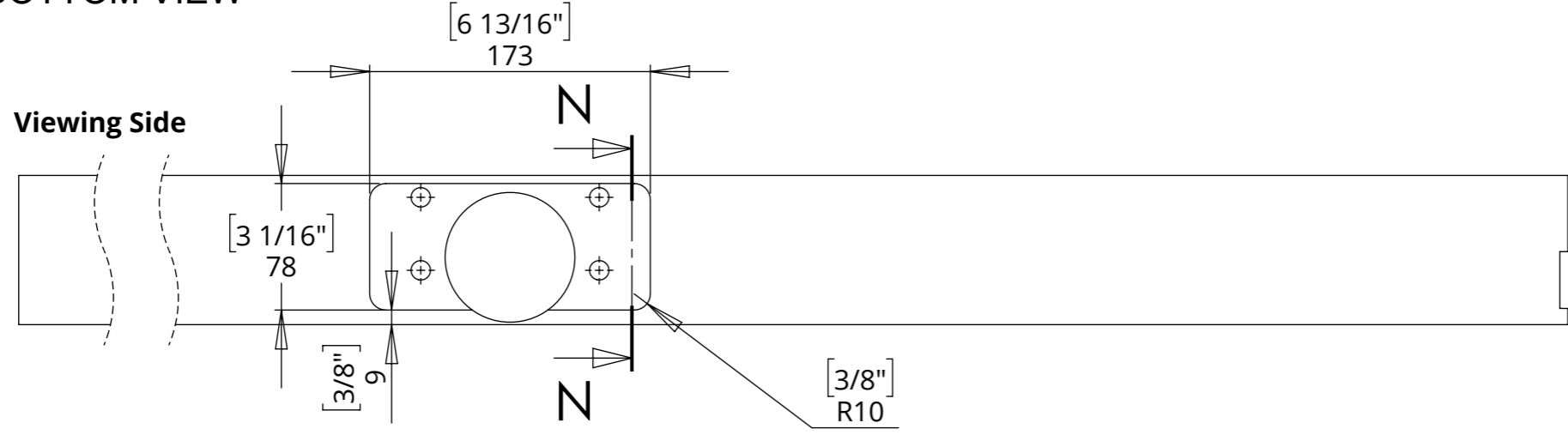
FLAP PANEL - BOTTOM VIEW



BASE PANEL - TOP VIEW



BASE PANEL - BOTTOM VIEW



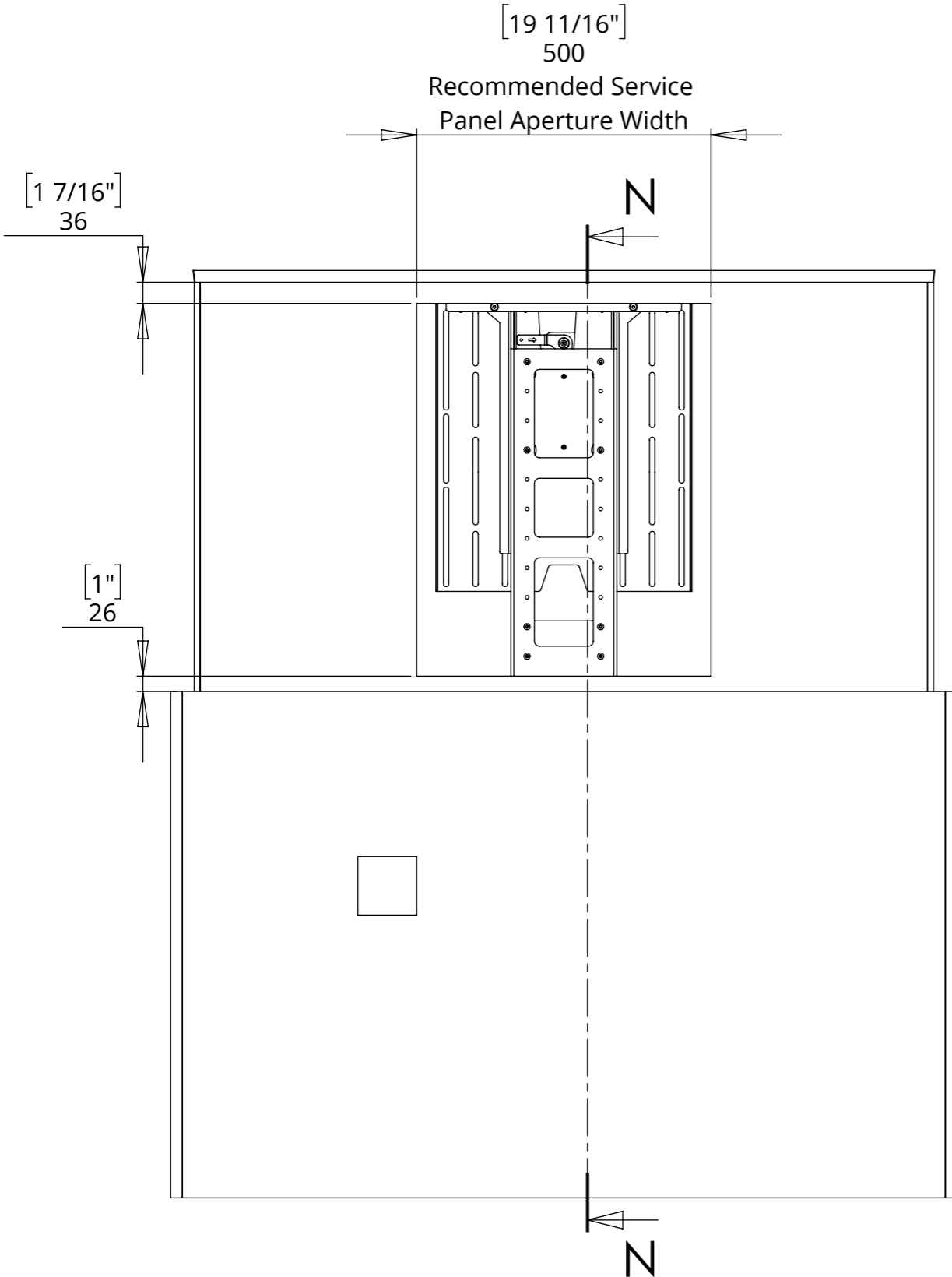
LSM-BE/PF 5

LIFT SYSTEM FOR BOX ENCLOSURE/PUSH FLAP

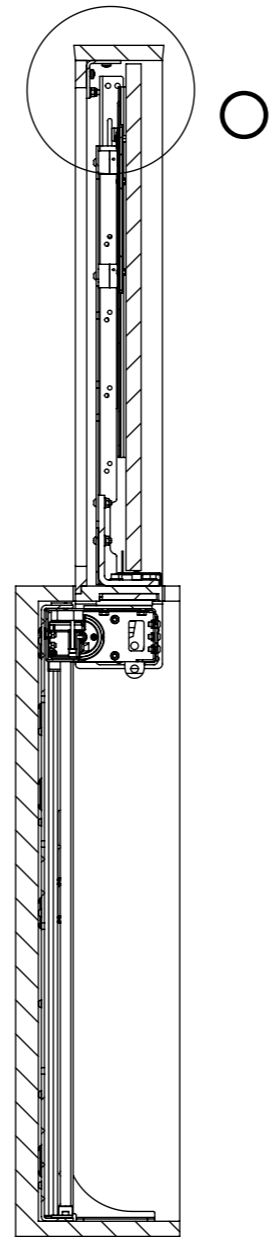
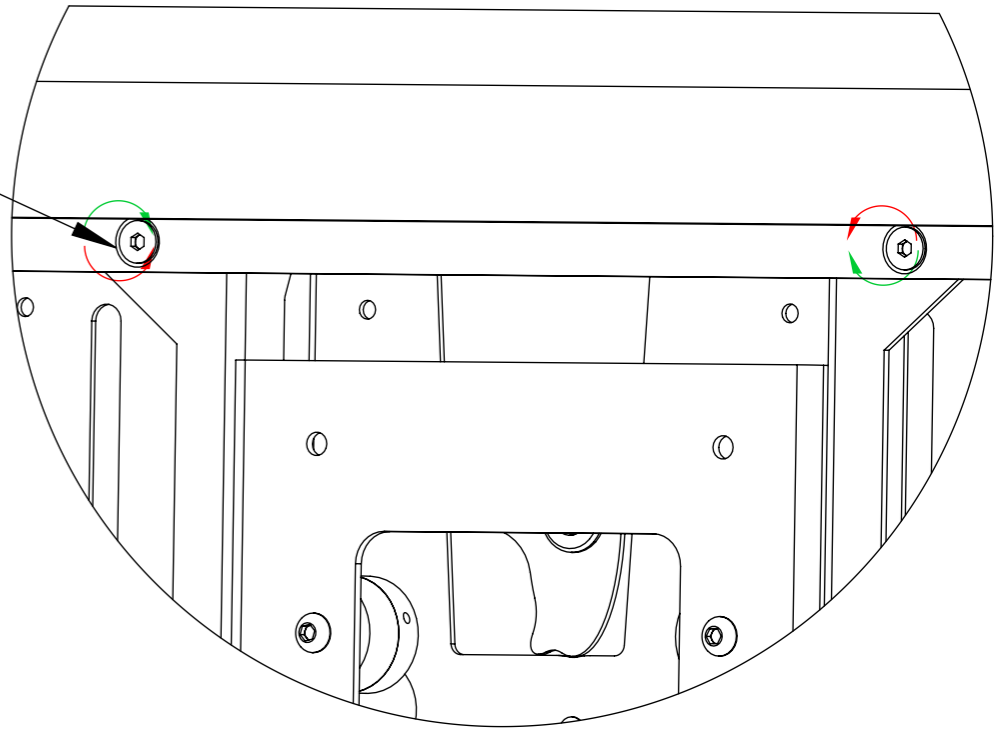
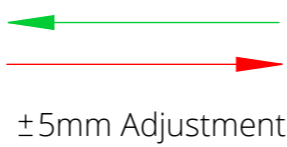


future automation

BOX ENCLOSURE POSITION ADJUSTMENT

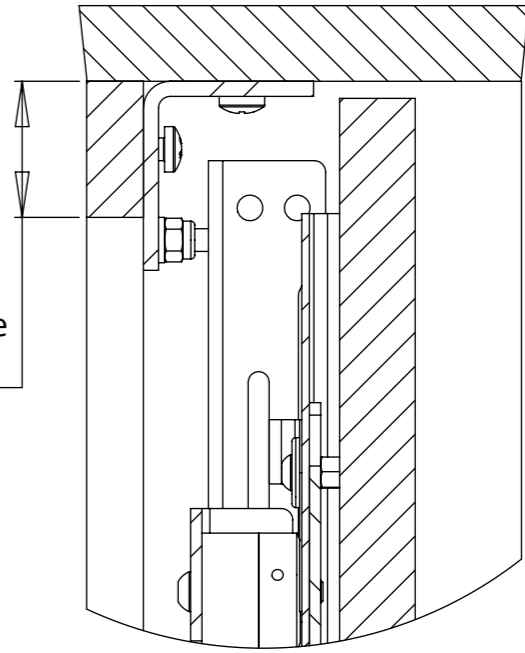


The countersink bolts enable fine tuning the position of the box enclosure relative to the uprights



SECTION N-N

[1 7/16"]
36
Required distance
between top of aperture
and bottom of lid



DETAIL O

LSM-BE/PF 5

LIFT SYSTEM FOR BOX ENCLOSURE/PUSH FLAP

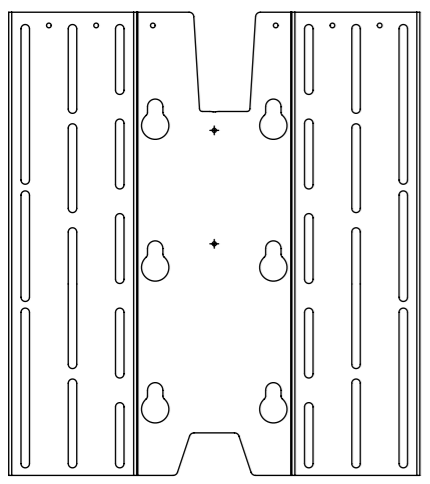


future automation

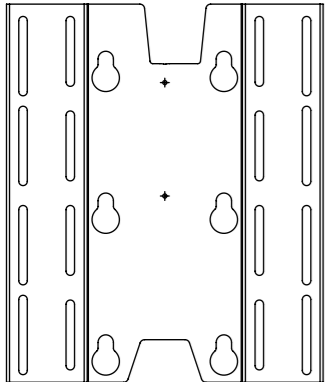
SCREEN MOUNT ADJUSTABILITY

A standard adjustable height VESA 400 mount is included. This is also compatible with VESA 300 and 200 mounting patterns

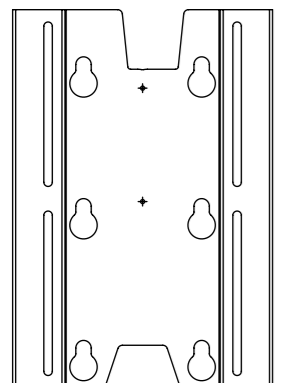
Separate VESA 300 and 200 mounts are available.



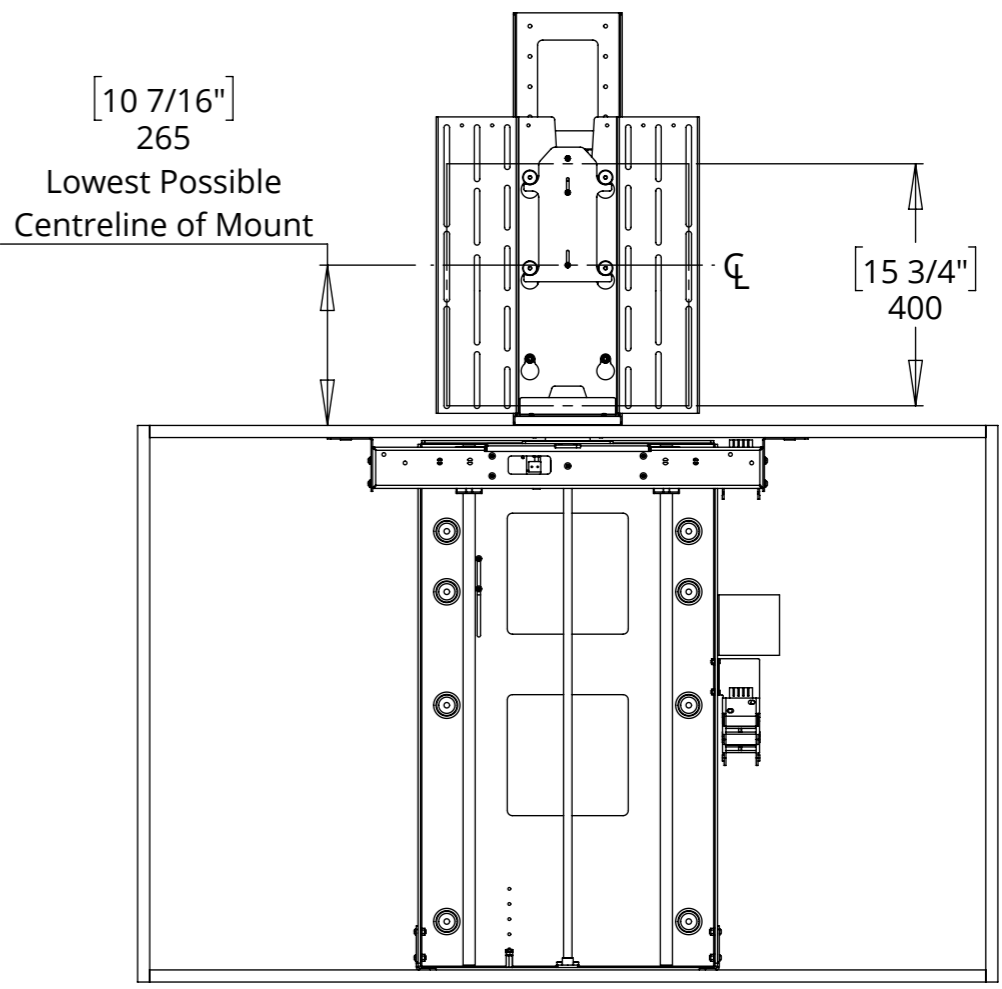
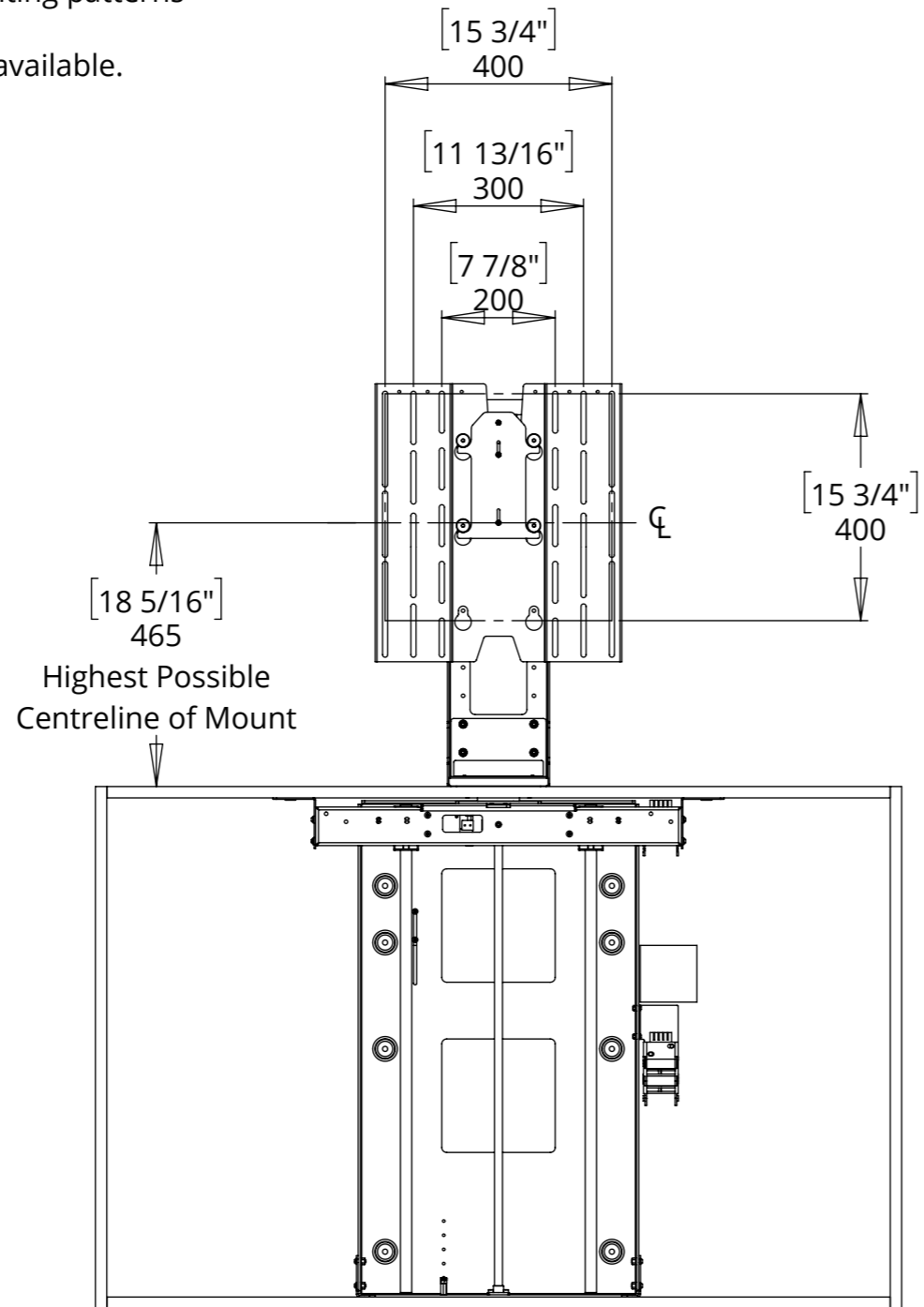
V400



V300

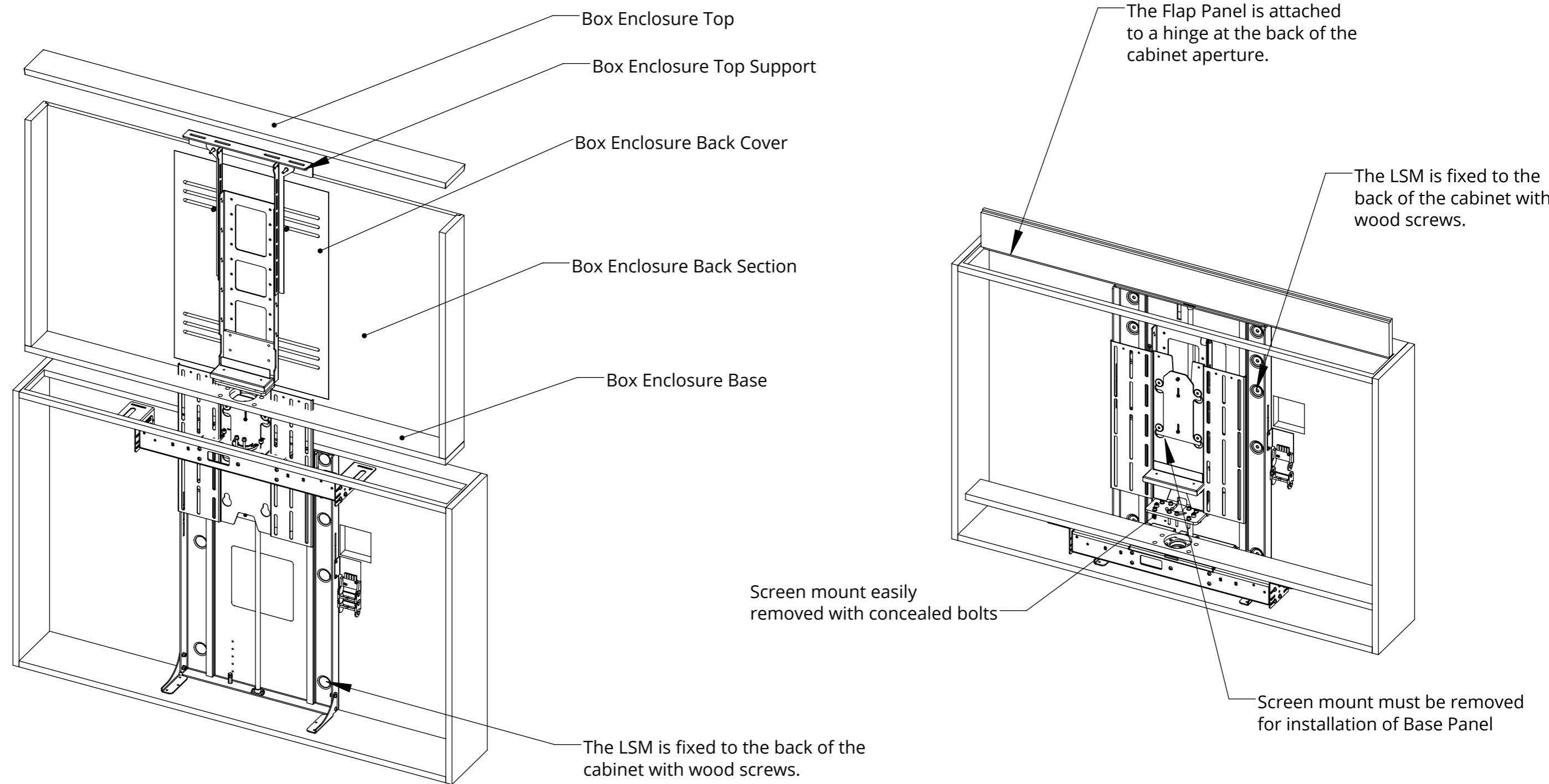


V200



LSM-BE/PF 5 LIFT SYSTEM FOR BOX ENCLOSURE/PUSH FLAP

MECHANISM INSTALLTION OVERVIEW



LSM-BE/PF 5

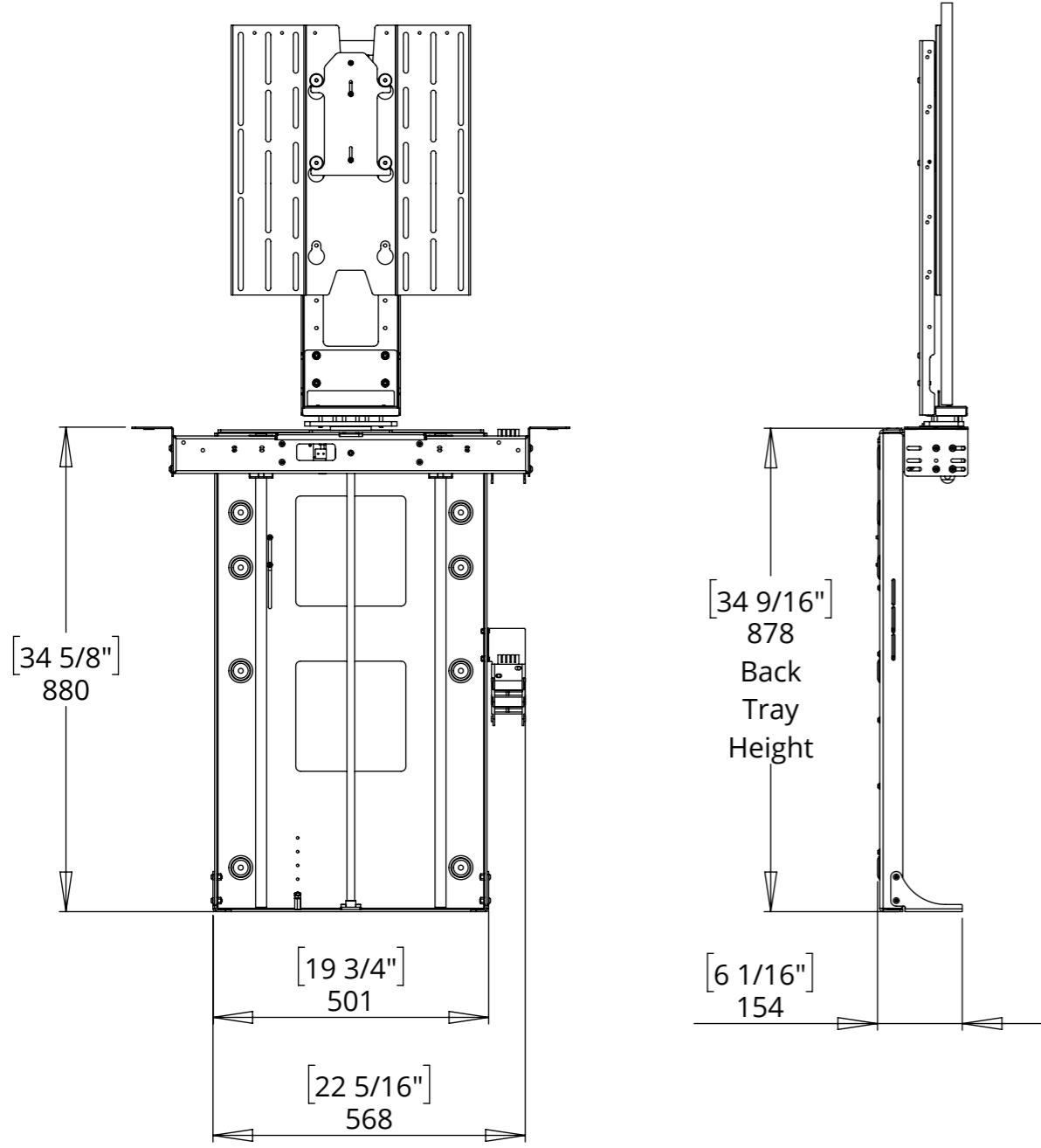
LIFT SYSTEM FOR BOX ENCLOSURE/PUSH FLAP

OVERALL MECHANISM DIMENSIONS



future automation

MECHANISM - UP POSITION



MECHANISM - DOWN POSITION

