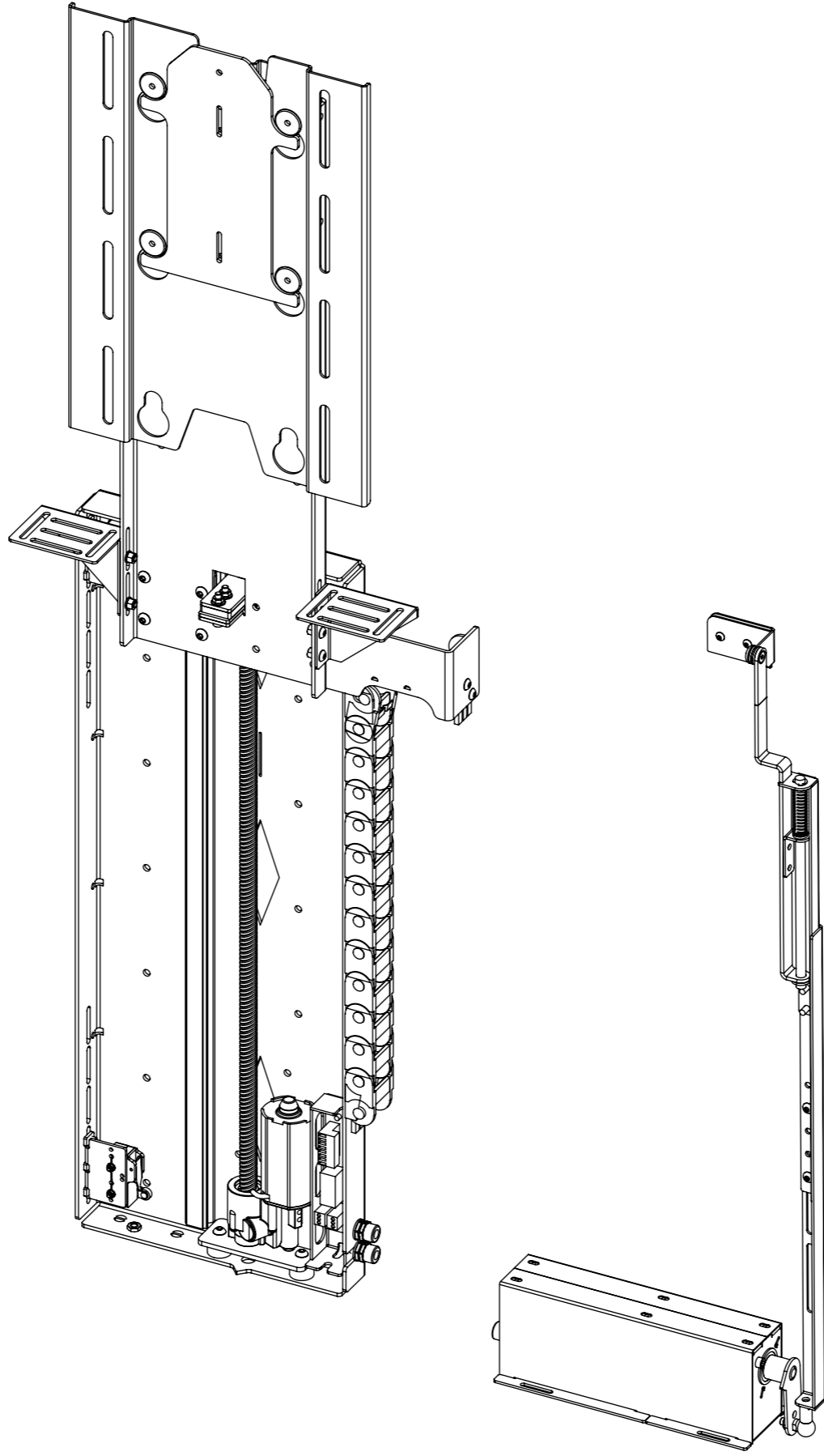


LSL-EFA 2

LIFT SYSTEM LIGHT WITH ELECTRIC FLAP



future automation



LSL-EFA 2

LIFT SYSTEM LIGHT WITH ELECTRIC FLAP



SPECIFICATION	MEASUREMENTS
Screen Sizes (Approx)	32" - 40"
Maximum Weight Capacity	25Kg (55lb)
Maximum Weight Capacity (Marine)	16Kg (35lb)
Maximum Screen Height	524mm (20.6")
Packaging Dimensions	920mm (36.2") x 550mm (21.7") x 250mm (9.8")
Shipping Weight	18Kg (40lb)
Movement Type	Motorised
Power Supply Required	110V or 240V AC
Power Consumption	250-500W
Power Consumption Standby	3W
Decibel Rating	58dB
Mounting Patterns Supported	VESA 200 W x 300, 200 H
Control Options	IR Remote, RS232, Contact Closure
Product Options / Features	Specific B&O and Loewe mounts / adapters, Custom RAL paint finishes, Outdoor version
Package Contents	Mechanism, IR remote control
Marine Suitable	Yes (Indoor)

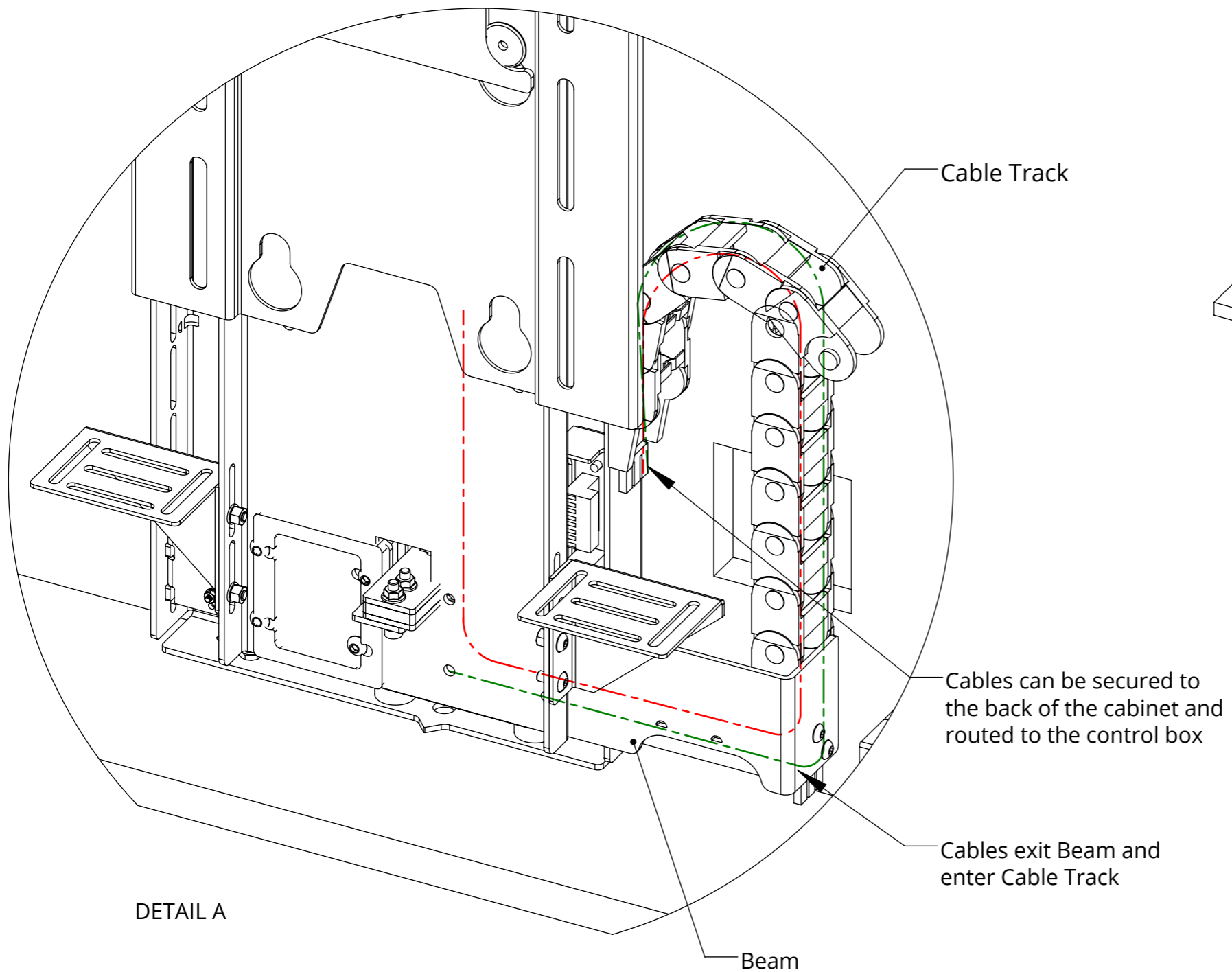
LSL-EFA 2

LIFT SYSTEM LIGHT WITH ELECTRIC FLAP

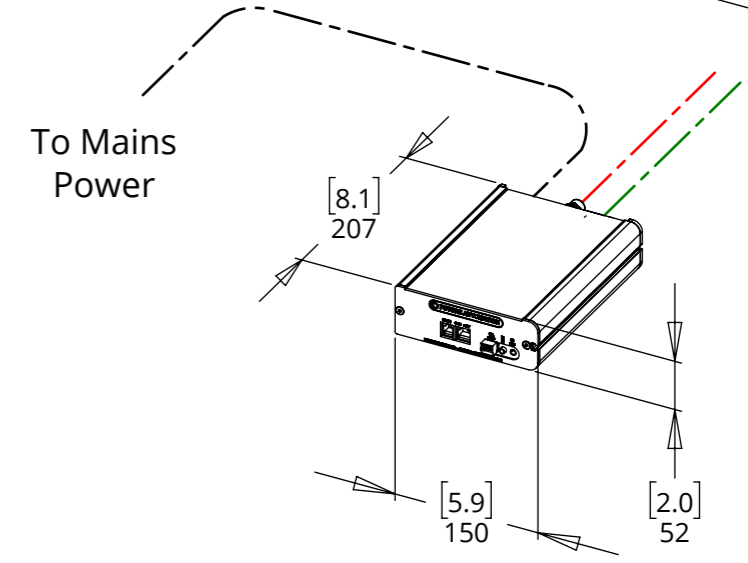
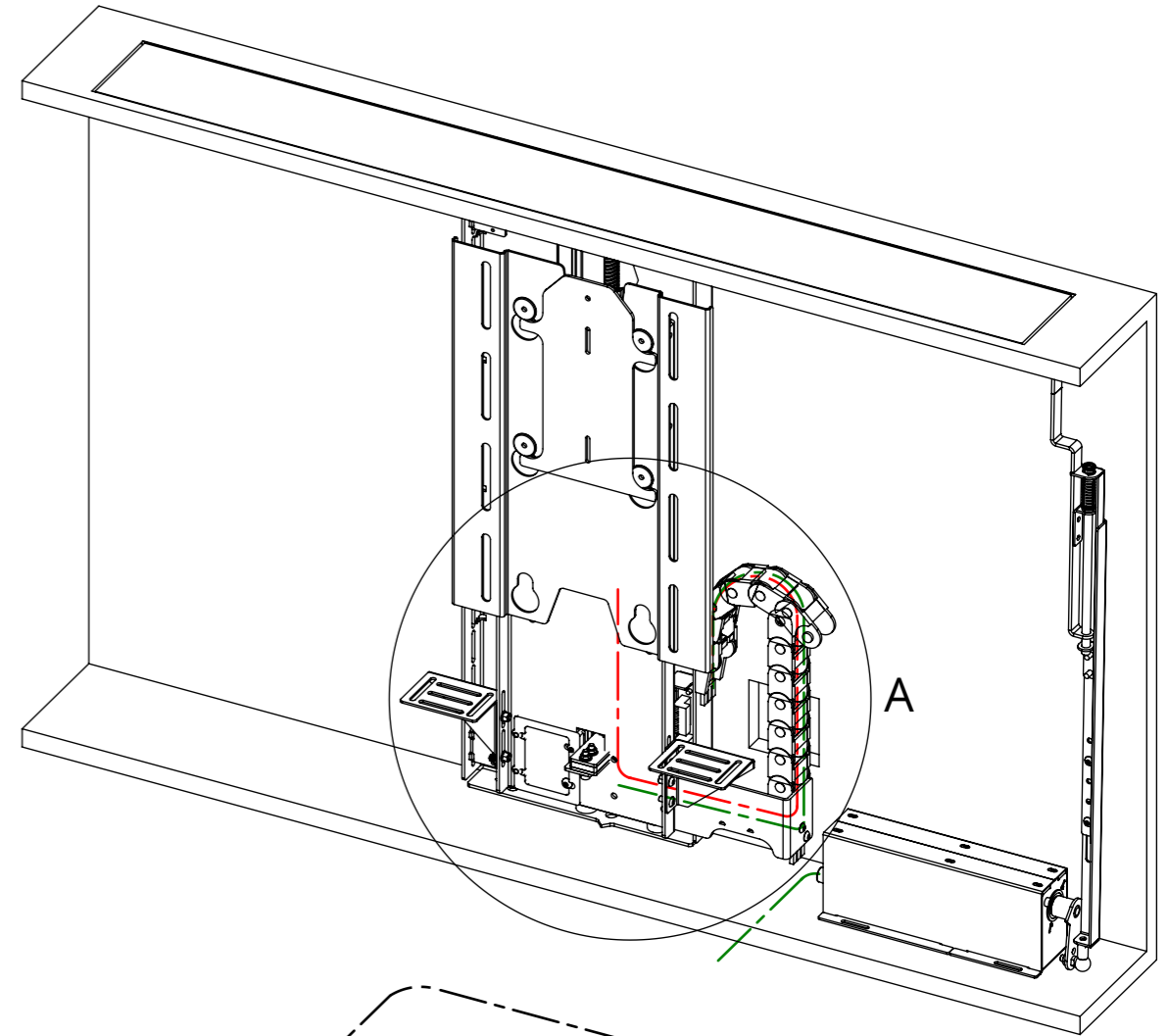
CABLE ROUTING

Screen cables are routed behind the Base Panel and out the right side of the Beam into the Cable Track. Cables must be routed carefully to prevent any interference with the LSL beam as it operates.

Screen and Mechanism cables should be routed to a control box in the bottom of the cabinet.



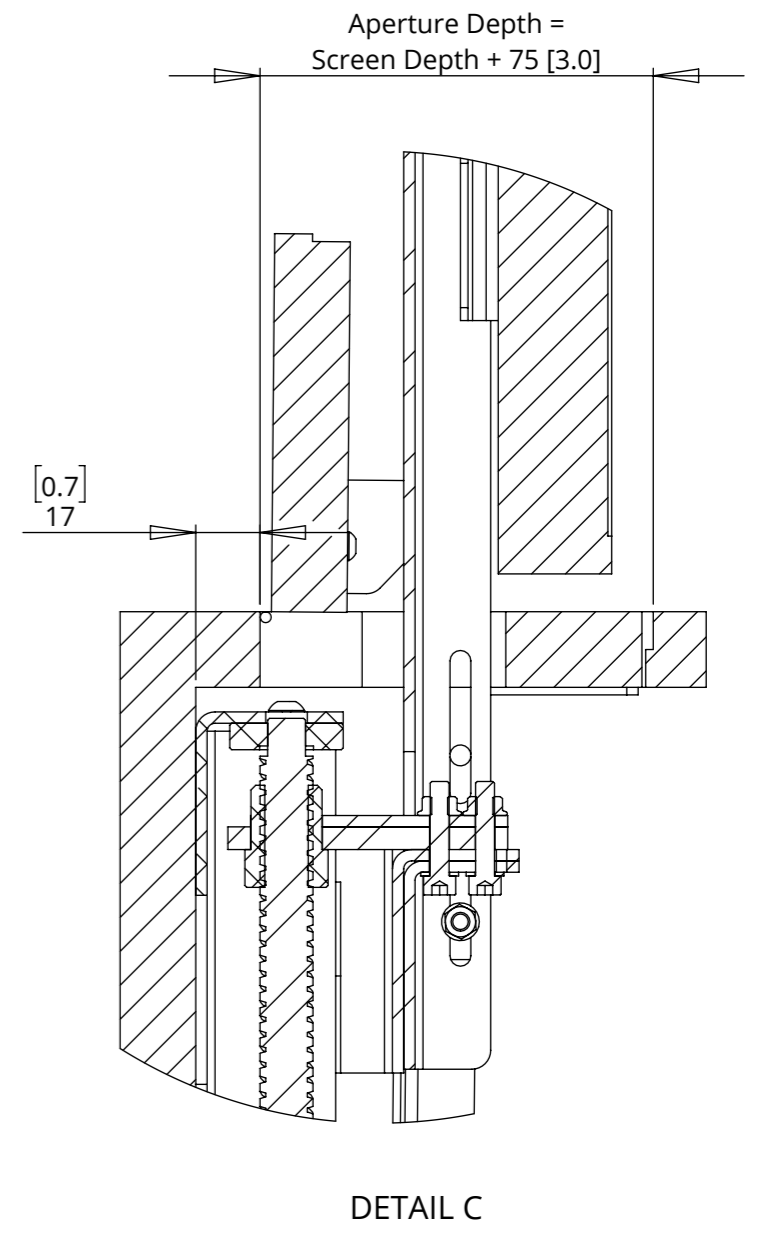
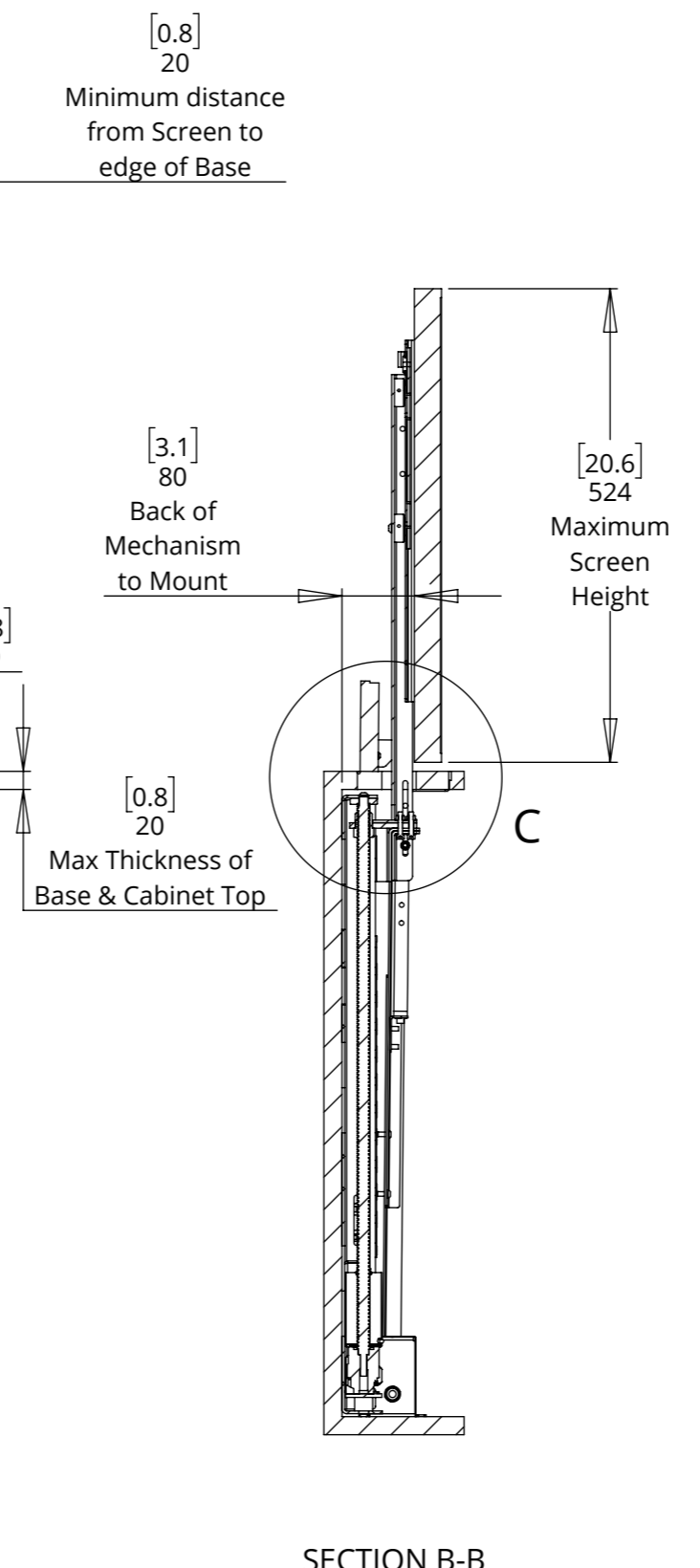
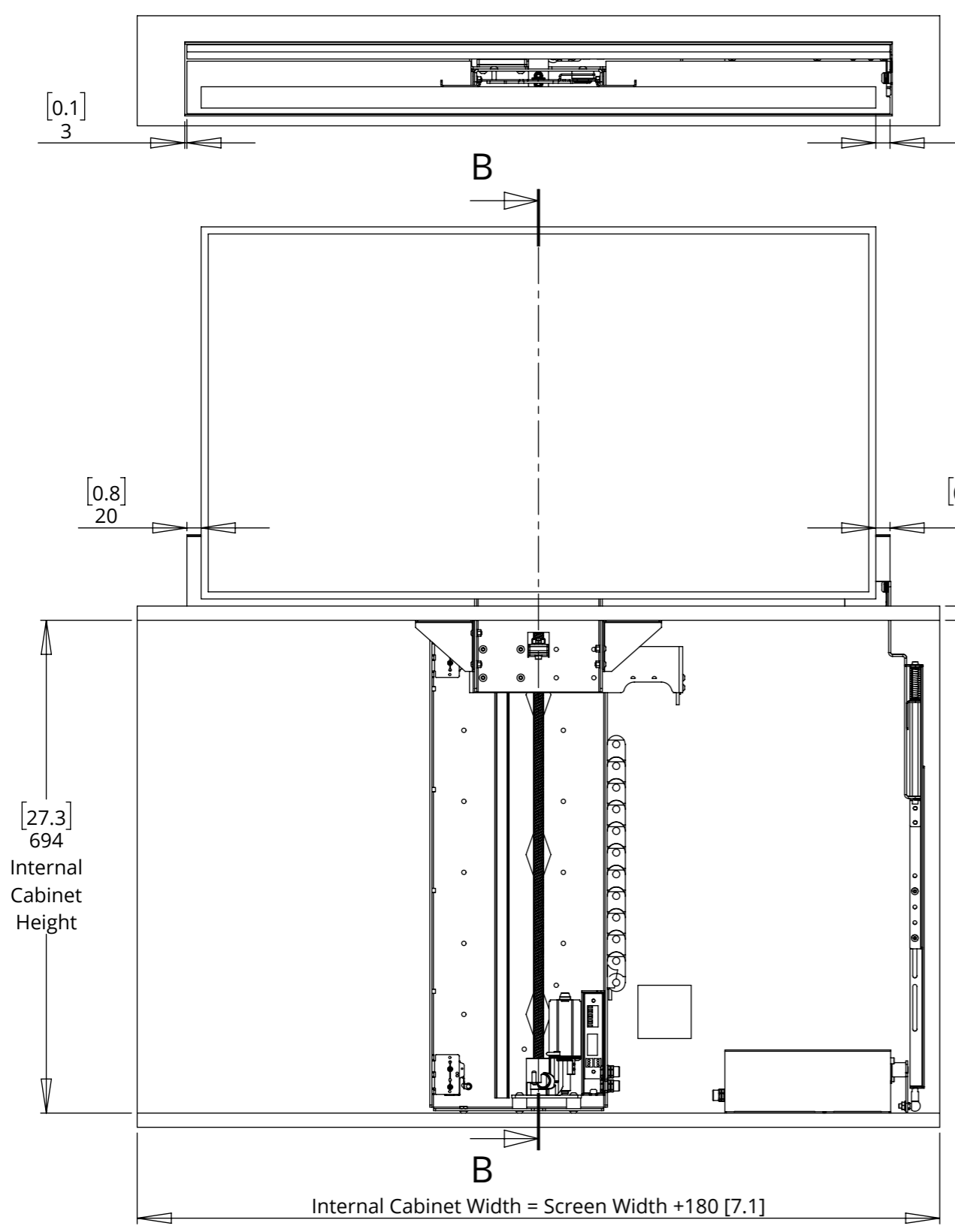
DETAIL A



LSL-EFA 2

LIFT SYSTEM LIGHT WITH ELECTRIC FLAP

MECHANISM UP - IN CABINET



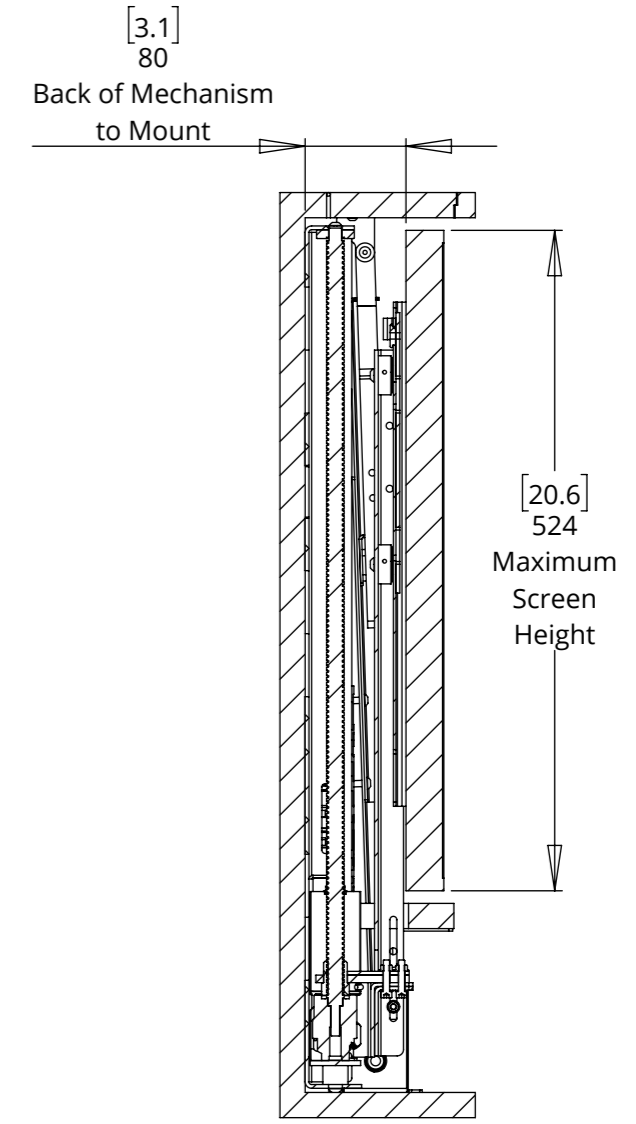
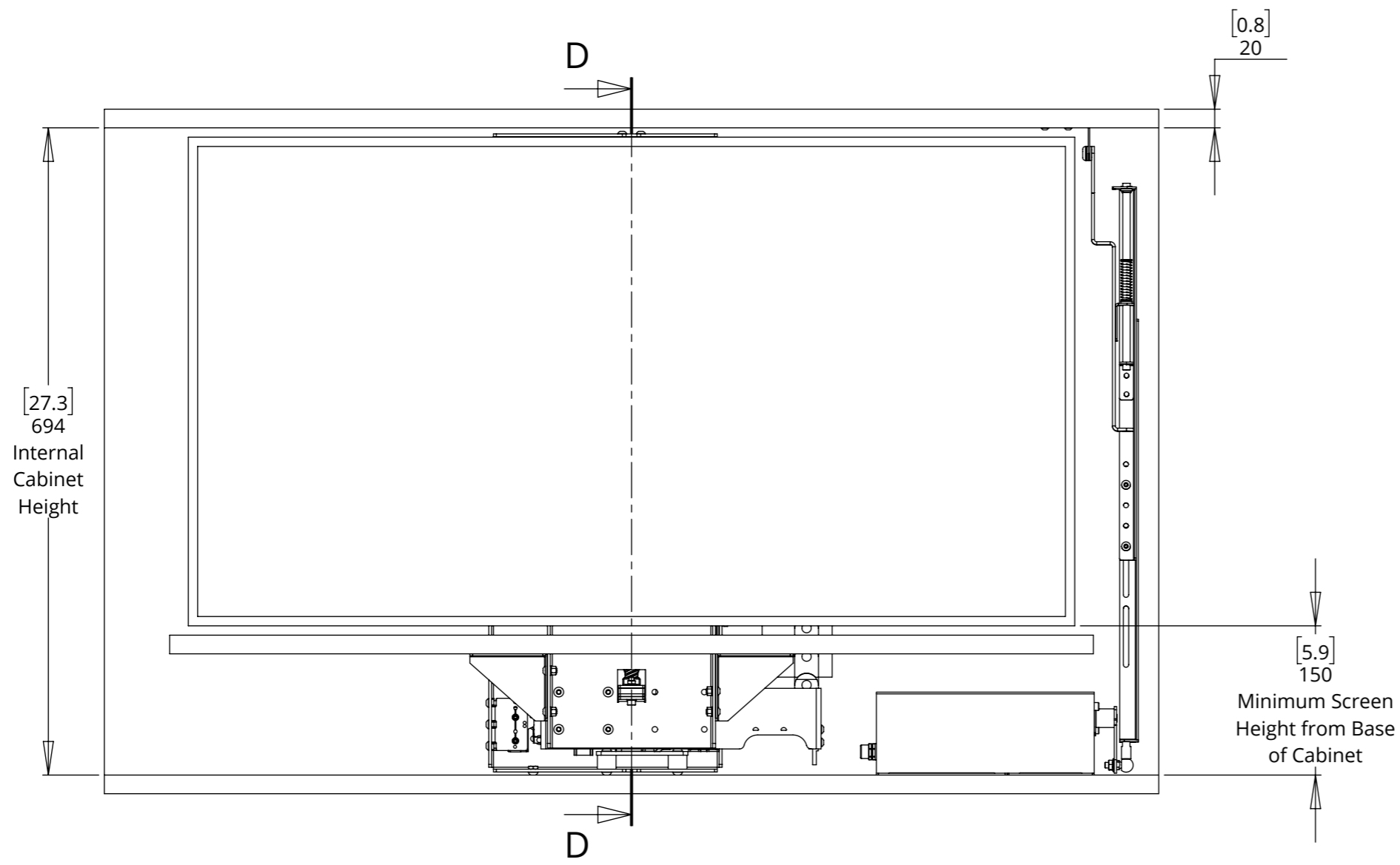
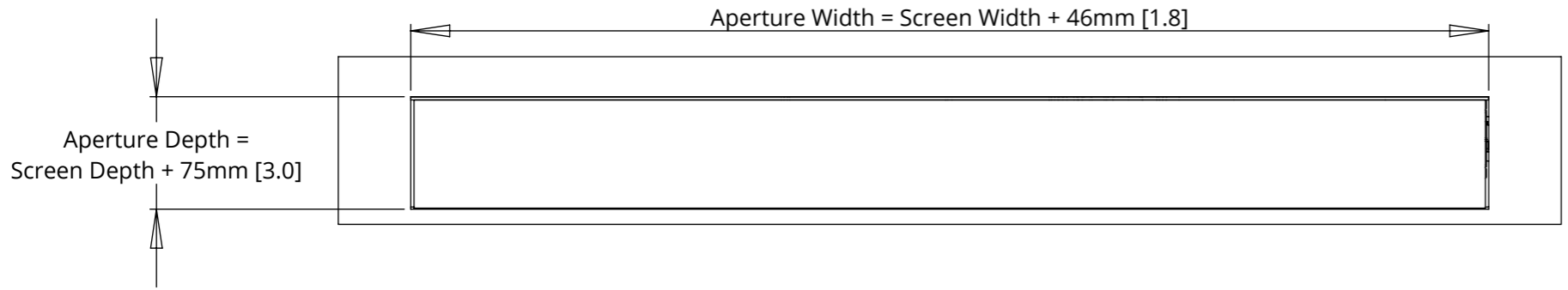
SECTION B-B

DETAIL C

LSL-EFA 2

LIFT SYSTEM LIGHT WITH ELECTRIC FLAP

MECHANISM DOWN - IN CABINET



SECTION D-D

TECHNICAL SHEET

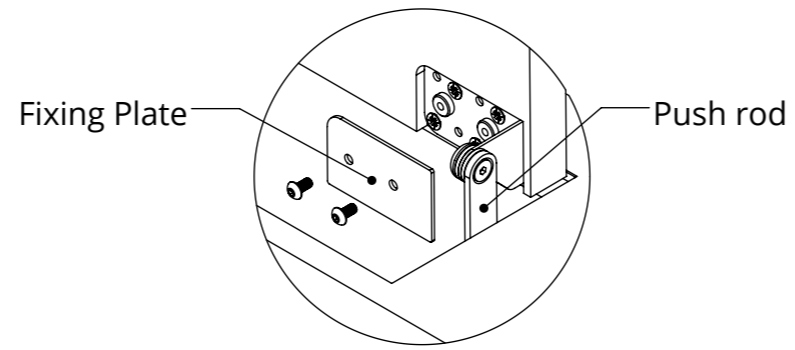
ISSUE 005
SHEET 5

LSL-EFA 2

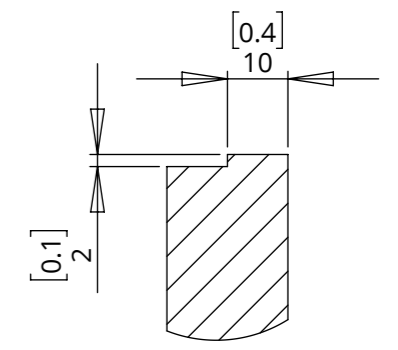
LIFT SYSTEM LIGHT WITH ELECTRIC FLAP



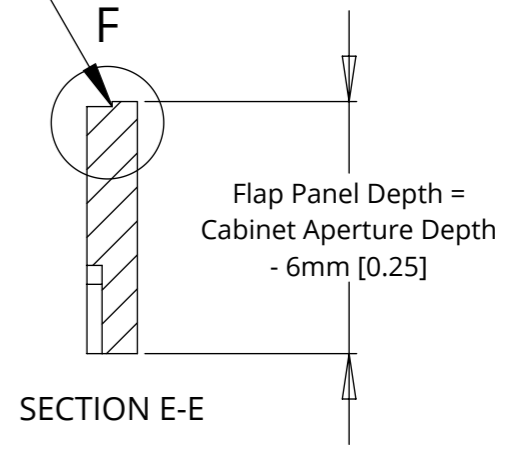
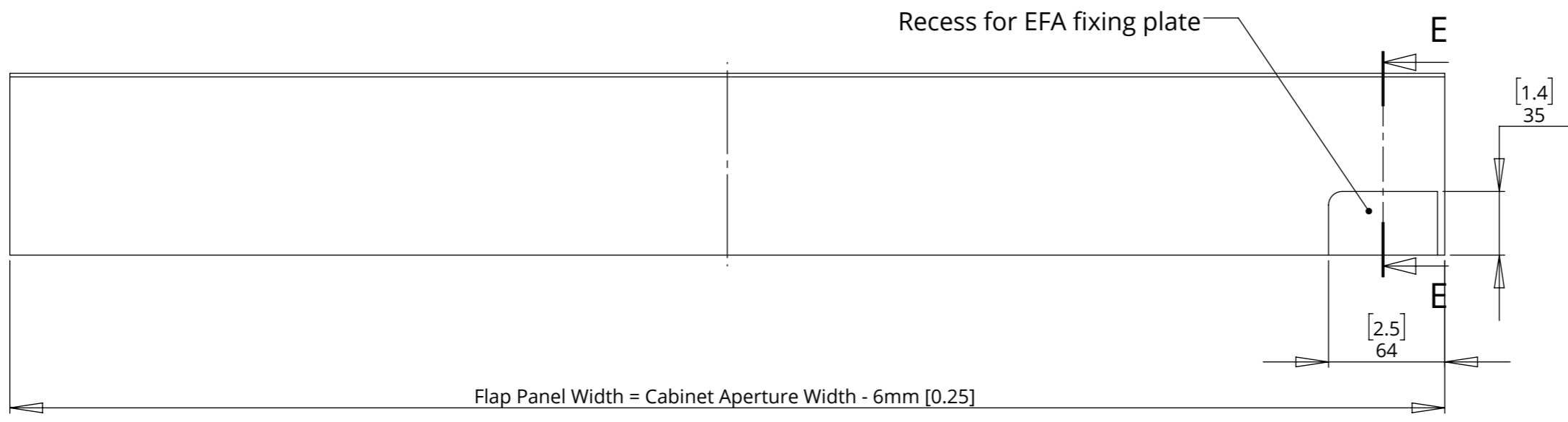
BASE PANEL & FLAP PANEL DETAILS



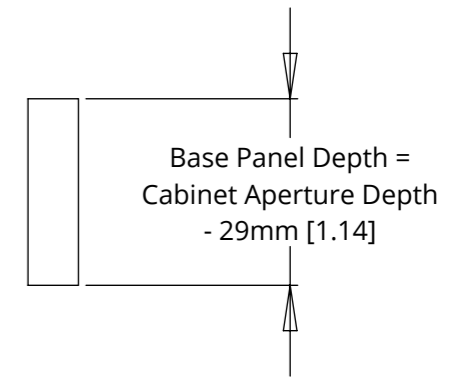
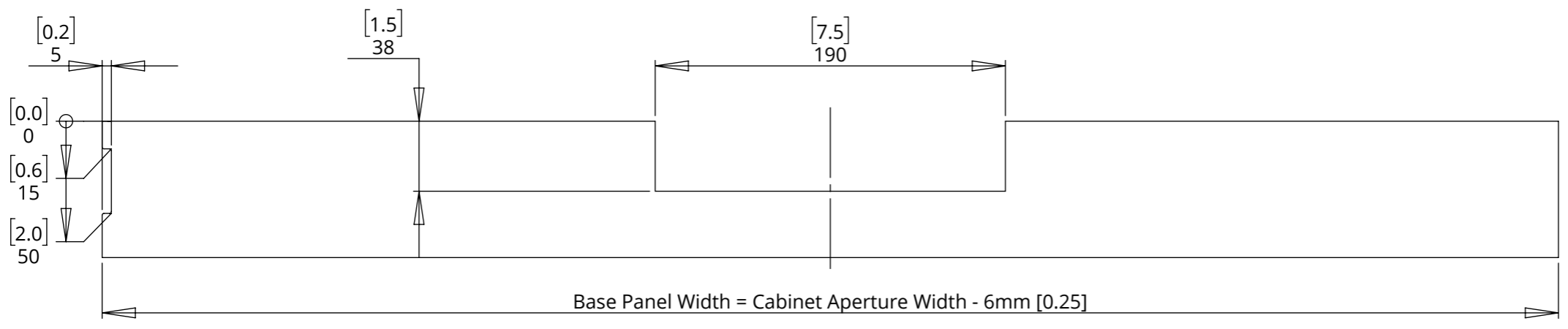
A step is required in the front of the Flap to meet a step in the front edge of the Cabinet Aperture



DETAIL F



SECTION E-E



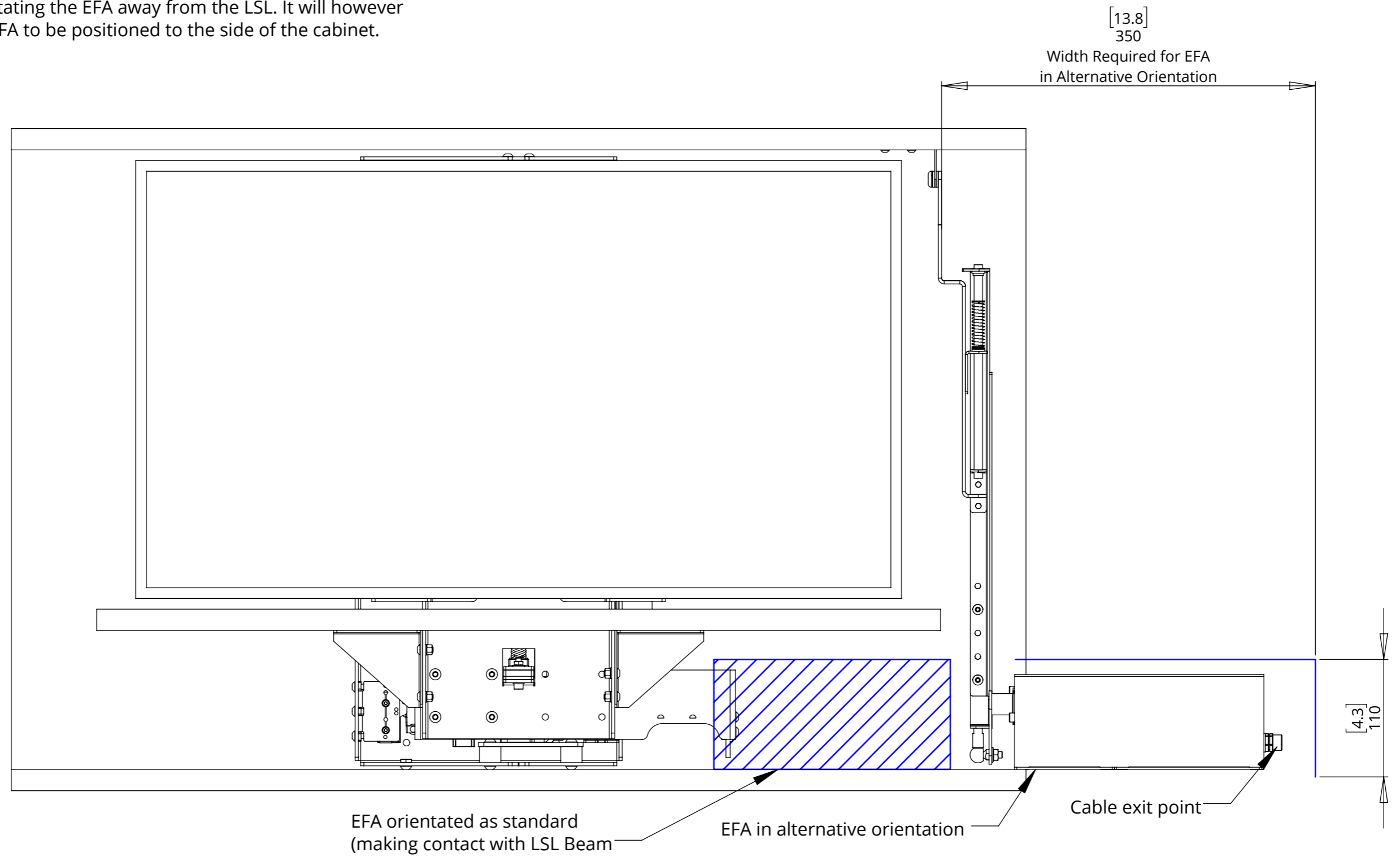
LSL-EFA 2

LIFT SYSTEM LIGHT WITH ELECTRIC FLAP

POSITIONING THE EFA TO ACCOMADATE SMALLER SCREENS

A Base Panel of less than 1050mm [41.3] wide will cause the EFA to interfere with the LSL beam.

This can be avoided by orientating the EFA away from the LSL. It will however require more space for the EFA to be positioned to the side of the cabinet.



LSL-EFA 2

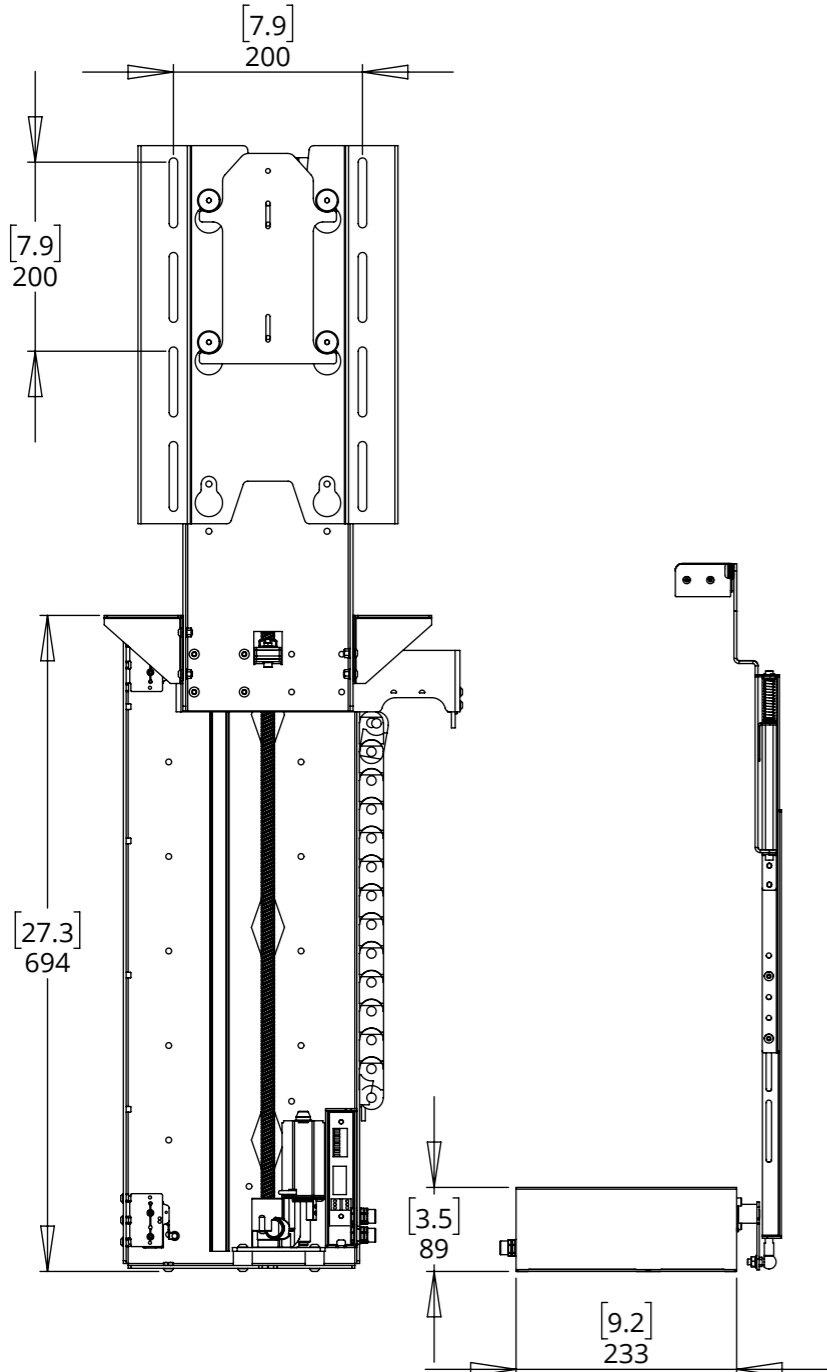


future automation

LIFT SYSTEM LIGHT WITH ELECTRIC FLAP

OVERALL MECHANISM DIMENSIONS

MECHANISM UP



MECHANISM DOWN

