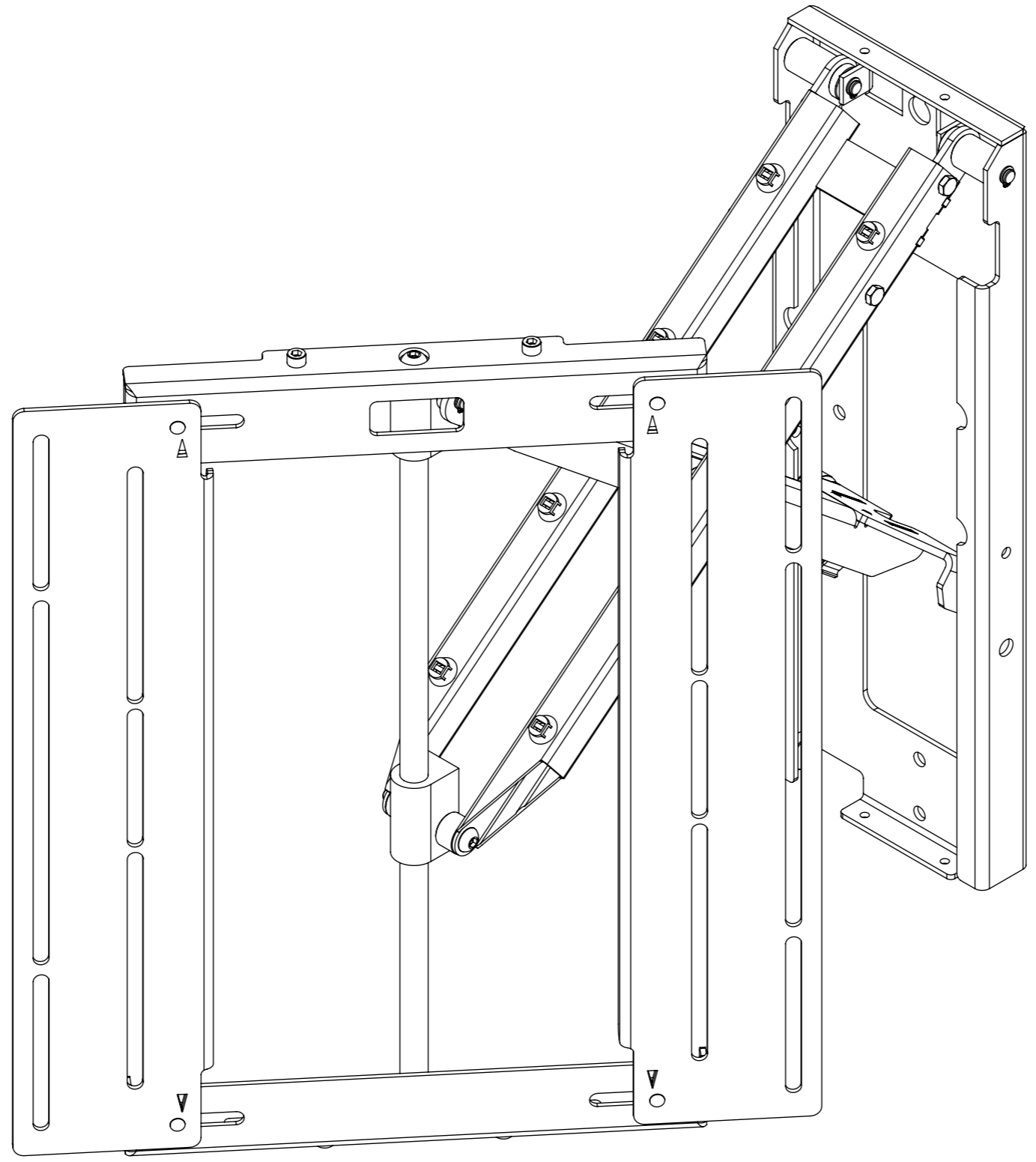


IP-PS40

OUTDOOR PULL & SWIVEL MANUAL WALL MOUNT



future automation



IP-PS40

OUTDOOR PULL & SWIVEL MANUAL WALL MOUNT



future automation

SPECIFICATION	MEASUREMENTS
Screen Sizes	40" - 75"
Maximum Weight Capacity	60Kg (132lb)
Maximum Extension From Wall	400mm (15.7")
Minimum Depth From Wall	54mm (2.1")
Packaging Dimensions	335 x 515 x 70mm (13.18 x 20.27 x 2.75")
Shipping Weight	12Kg (26lb)
Maximum Rotation	50° - Bi-directional with 43" screen - 38° with 55" - 32° with 65" - 27° with 75"
Movement Type	Manual
Mounting Patterns Supported	VESA 400, 300, 200, 100 W x 400, 300, 200, 100 H
Product Options / Features	Specific B&O and Loewe mounts / adapters, Custom RAL paint finishes, Wall Boxes
Package Contents	Mechanism
Marine Suitable	No

IP-PS40



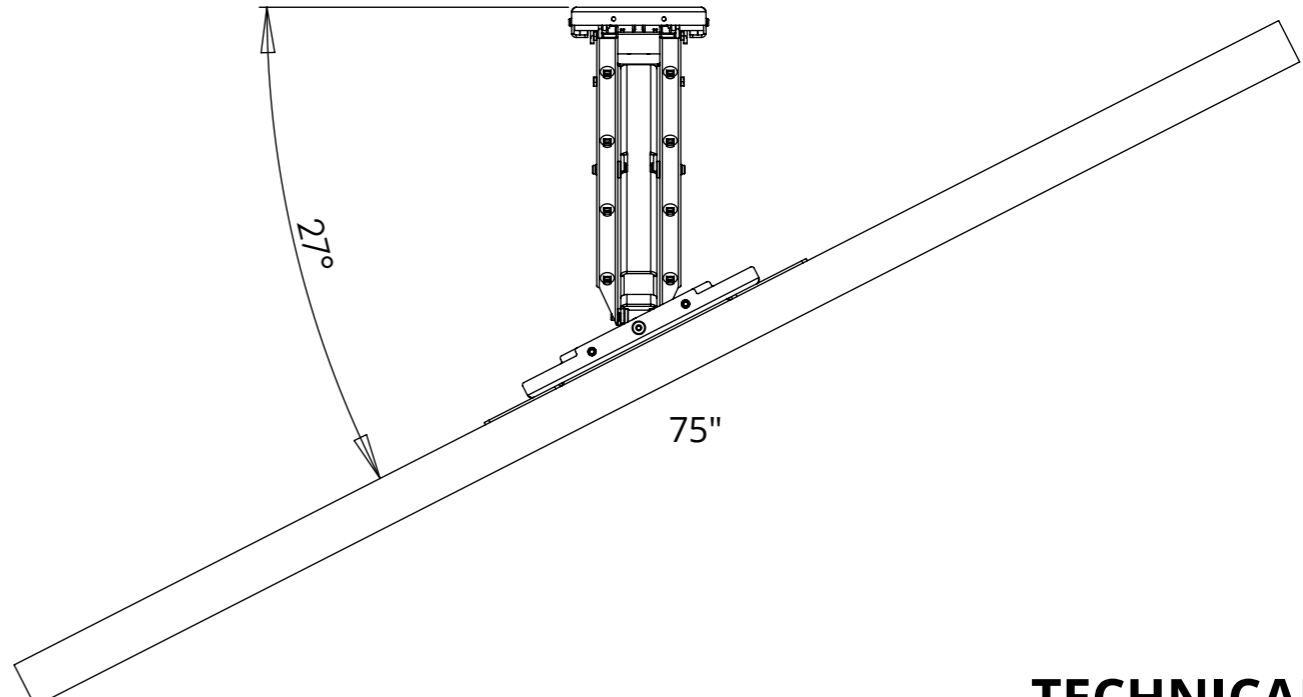
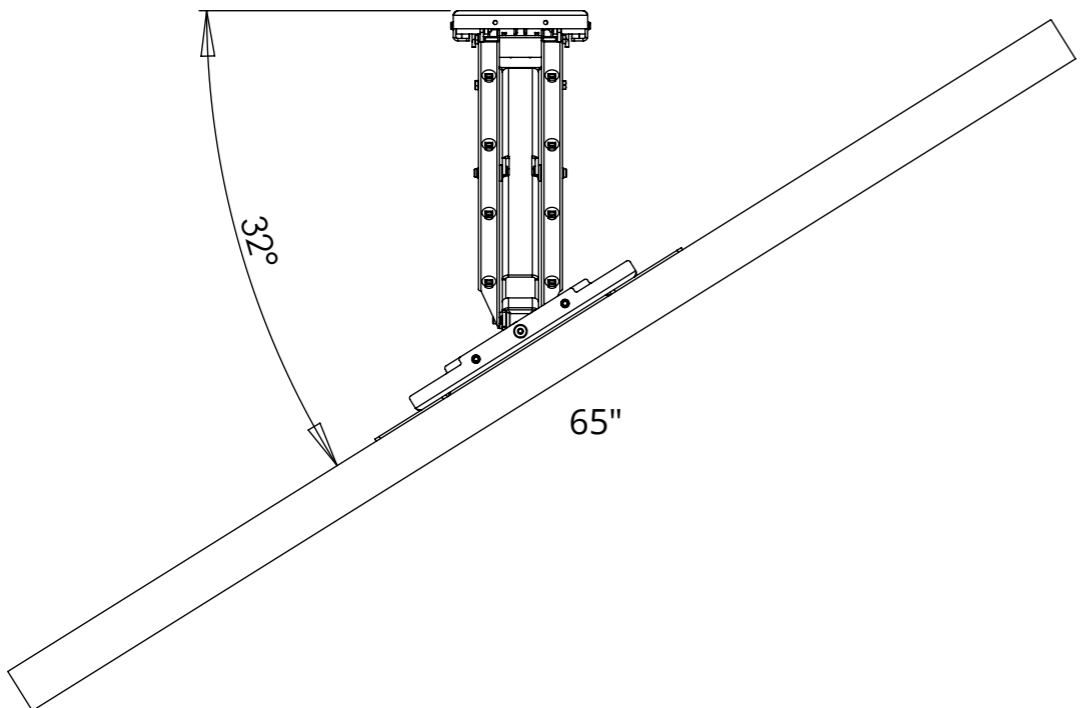
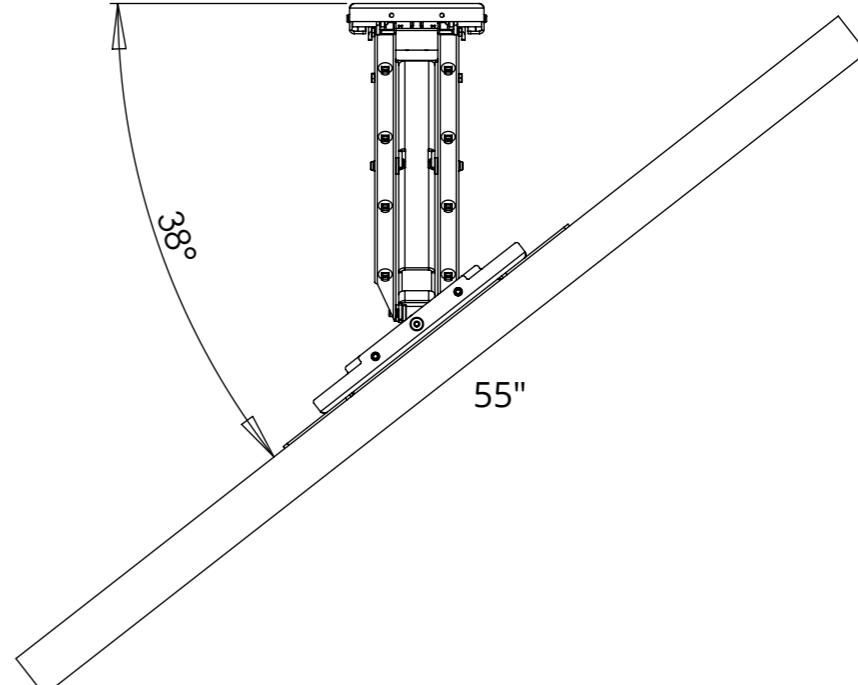
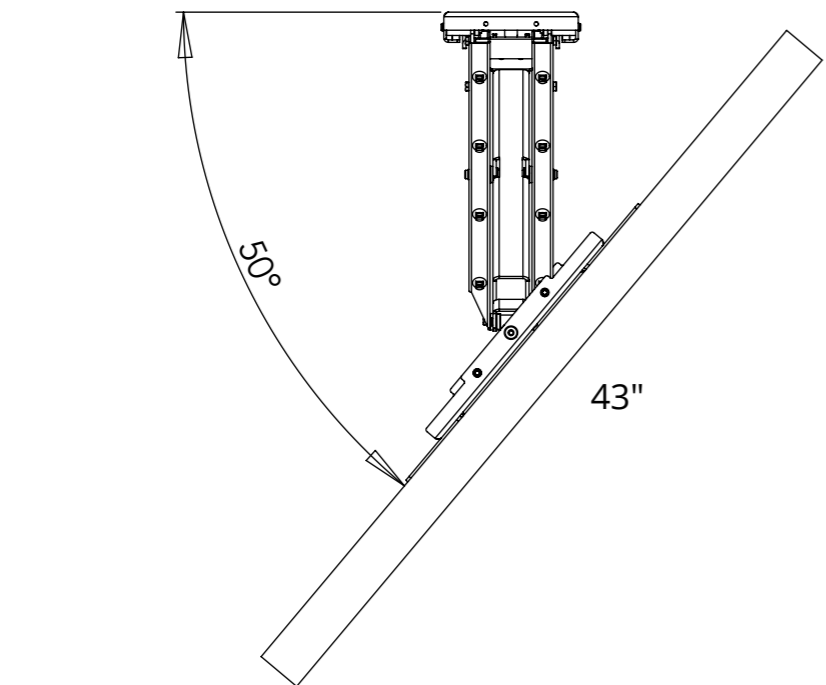
future automation

OUTDOOR PULL & SWIVEL MANUAL WALL MOUNT

SCREEN ANGLES

The views below show the approximate maximum swivel angles achievable for varying screen sizes.

NOTE: The maximum swivel angle achievable is 50° regardless of screen size



IP-PS40



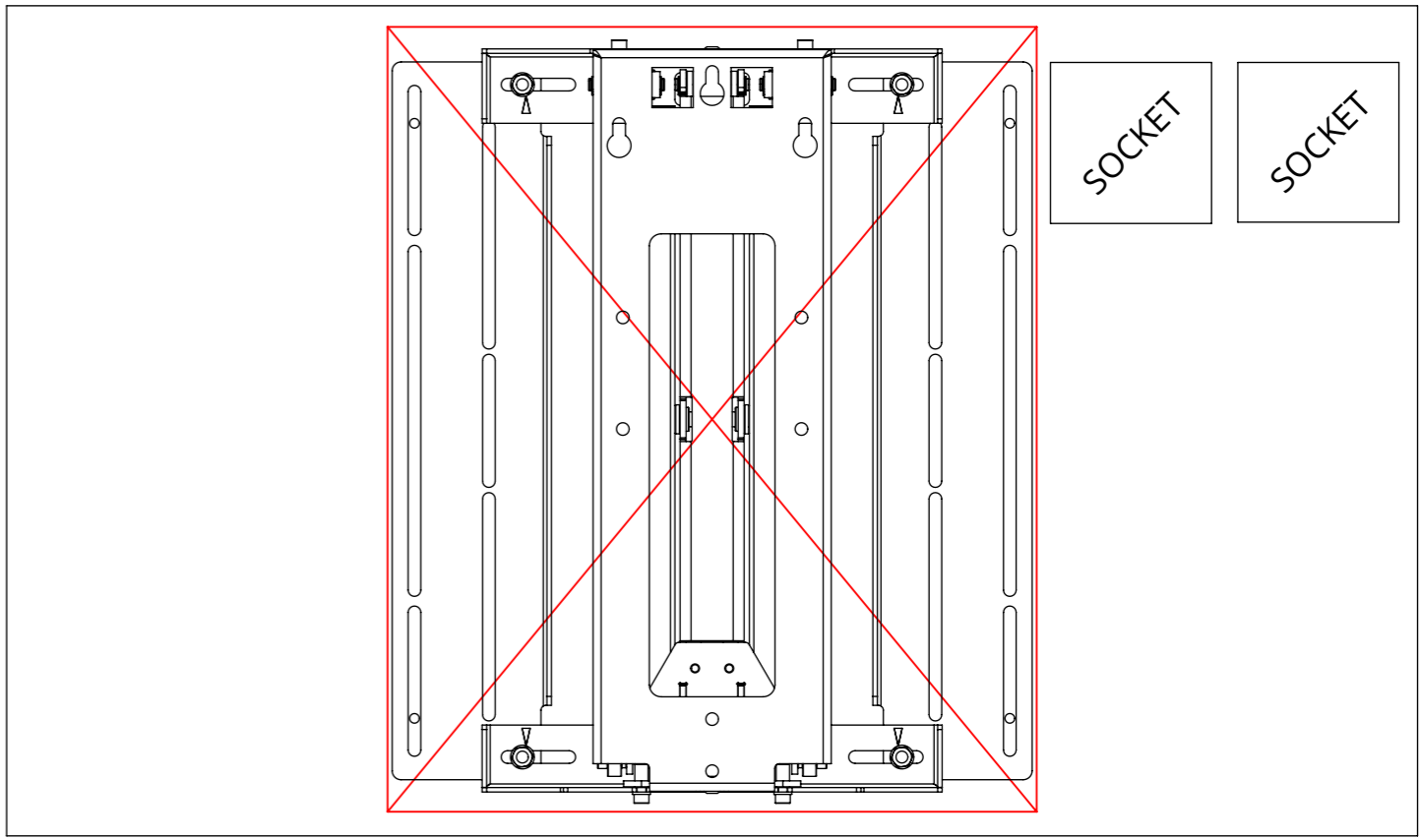
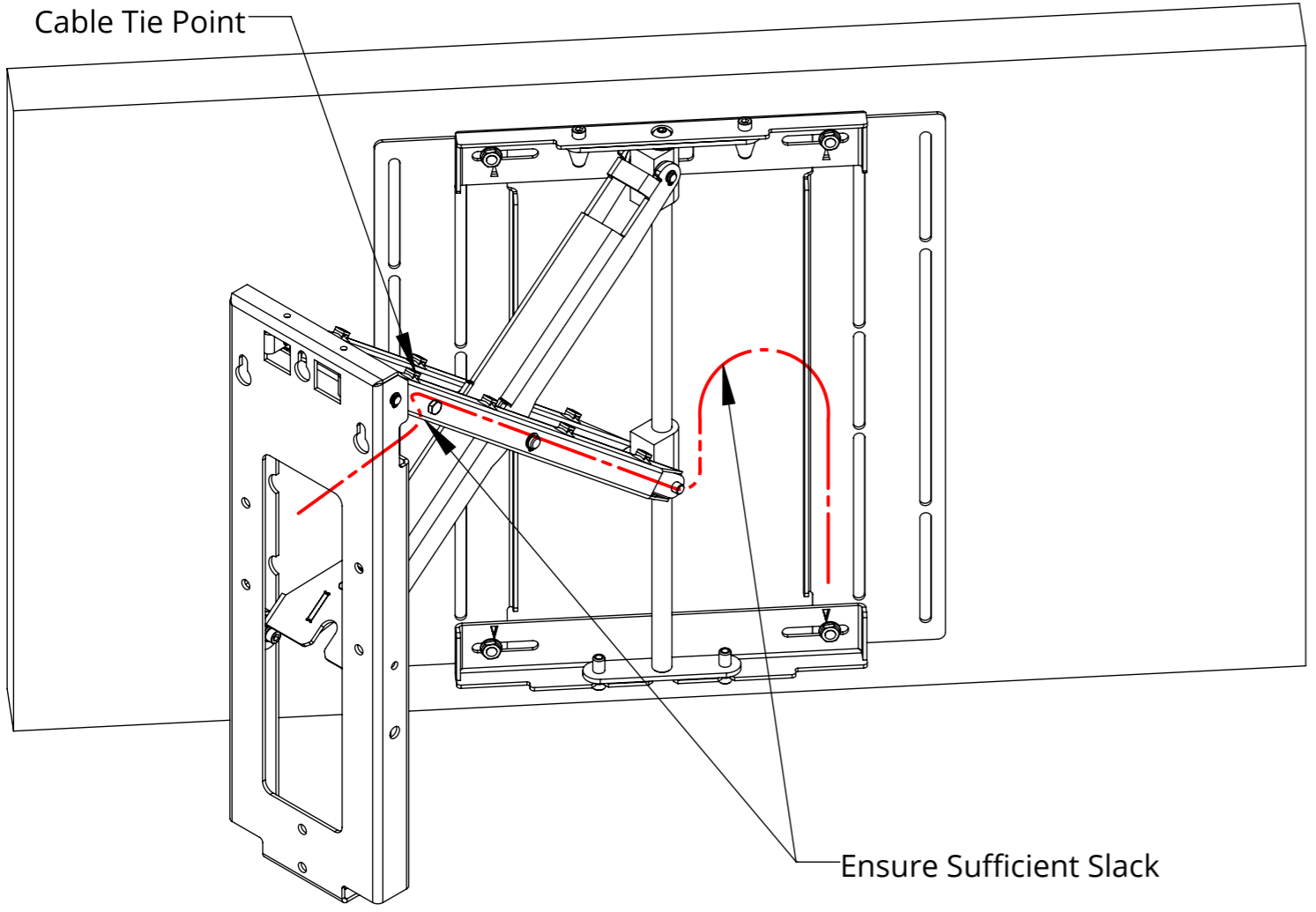
future automation

OUTDOOR PULL & SWIVEL MANUAL WALL MOUNT

CABLE ROUTING & SOCKET PLACEMENT

Route the screen cables as shown below ensuring sufficient slack at moving points and secure in place using the integrated cable tie points.

Wall sockets should be ideally placed as shown outside of the bracket footprint to maximise space for cable routing



IP-PS40



future automation

OUTDOOR PULL & SWIVEL MANUAL WALL MOUNT

GENERAL DIMENSIONS

