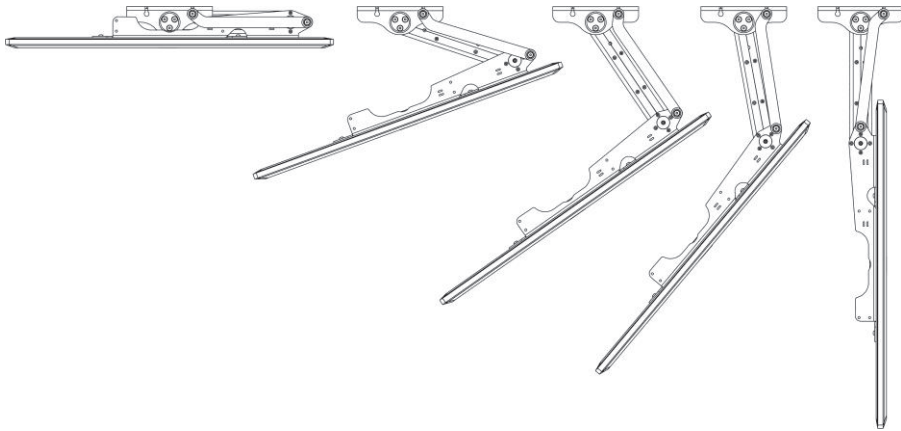


# FSE/PSE/HSE

## WALL MOUNT DIRECTION GUIDE

View Shown From Above

Counter Clockwise



Clockwise

