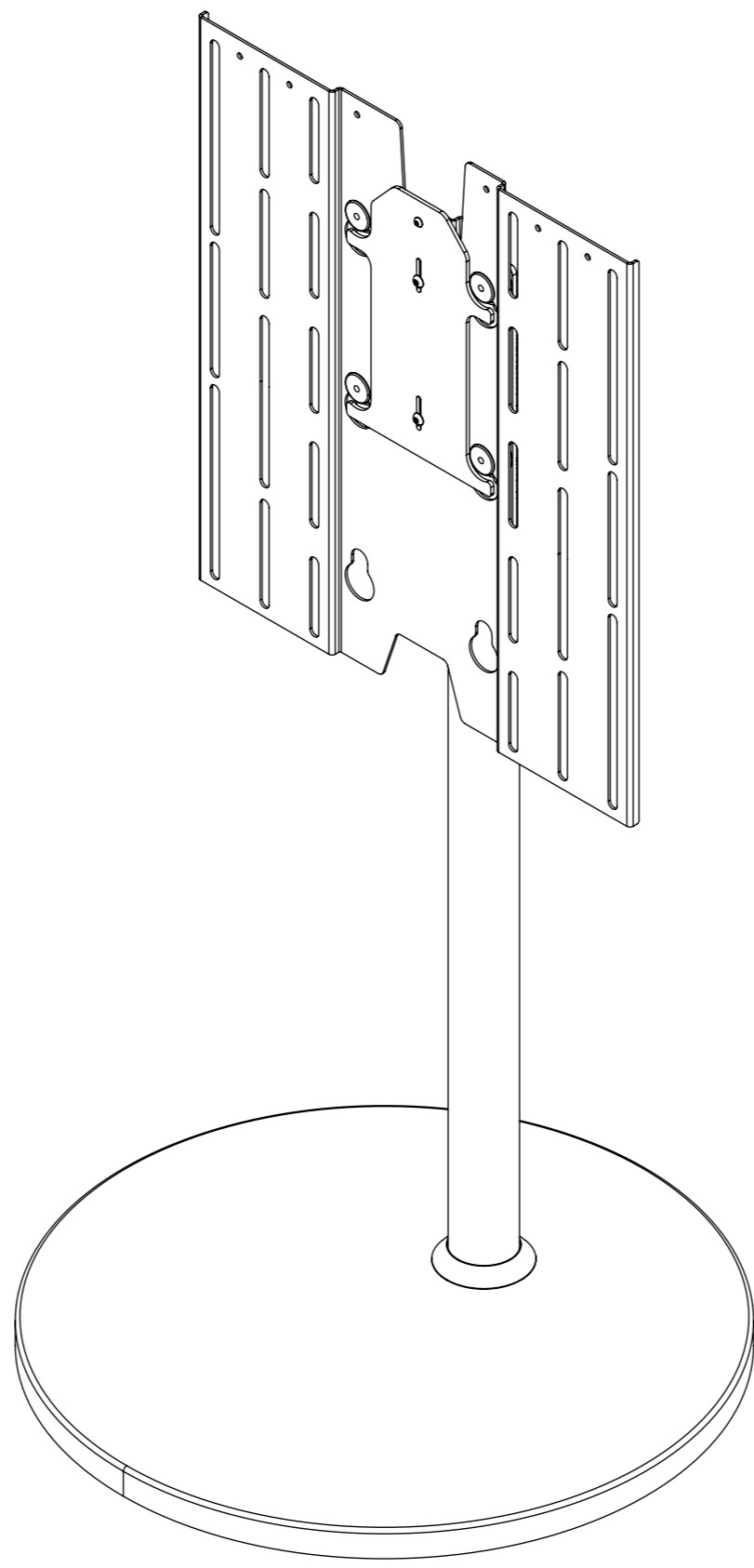


FM FLOOR MOUNT



future automation



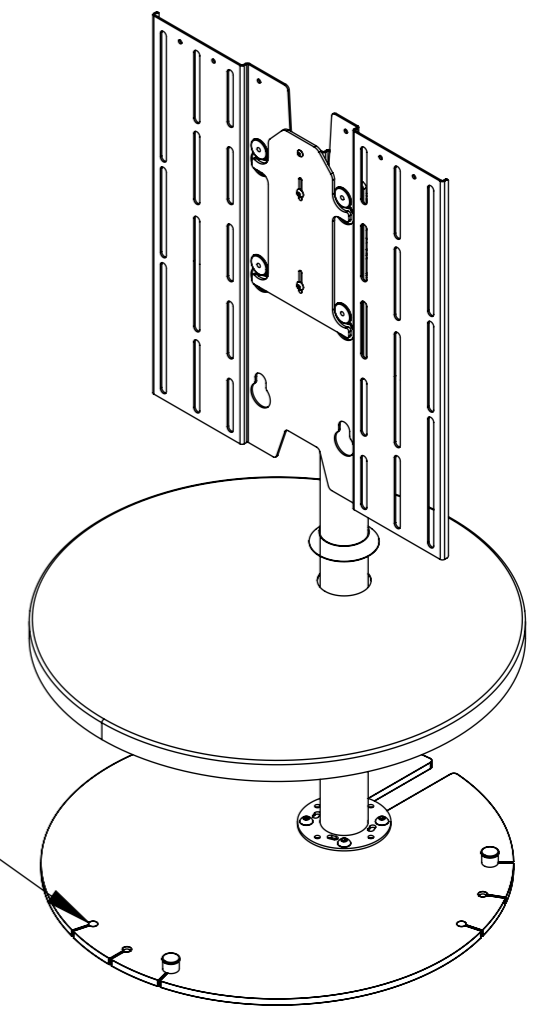
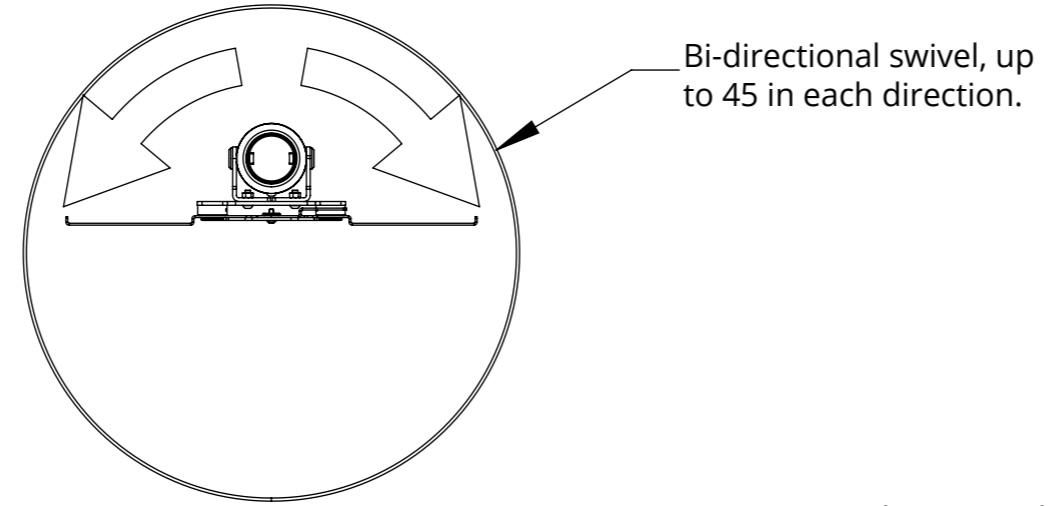
FM FLOOR MOUNT



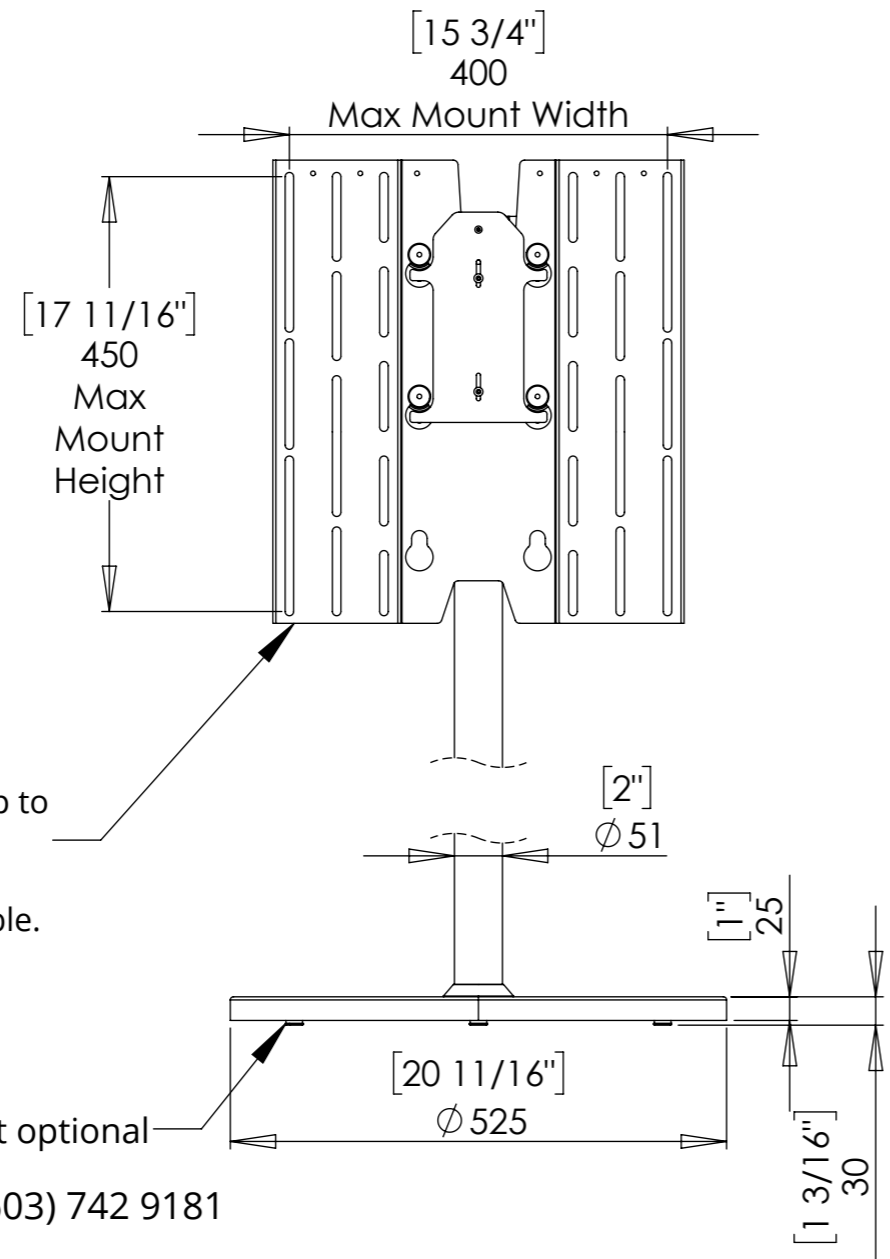
SPECIFICATION	MEASUREMENTS
Product Dimensions	990mm (39") x 550mm (21 5/8") x 525mm (20 11/16")
Maximum Weight Capacity	50Kg (110lb)
Maximum Height of Screen	800mm (31 1/2") to screen centre
Middle Height of Screen	750mm (29 1/2") to screen centre
Minimum Height of Screen	600mm (23 5/8") to screen centre
Product Weight	15Kg (33lb)
Packaging Dimensions	820 x 580 x 160mm (32 5/16 x 22 13/16 x 6 5/16")
Shipping Weight	20Kg (44lb)
Maximum Rotation	45° - in either direction
Movement Type	Manual
Cable Management	Can be concealed within pole
Mounting Patterns Supported	VESA 400, 300, 200 W x 400, 300, 200 H
Product Options / Features	Specific B&O and Loewe mounts / adapters, Custom RAL paint finishes, Marine suitable version
Package Contents	Mechanism
Marine Suitable	No

FM FLOOR MOUNT

MOUNT DIMENSIONS



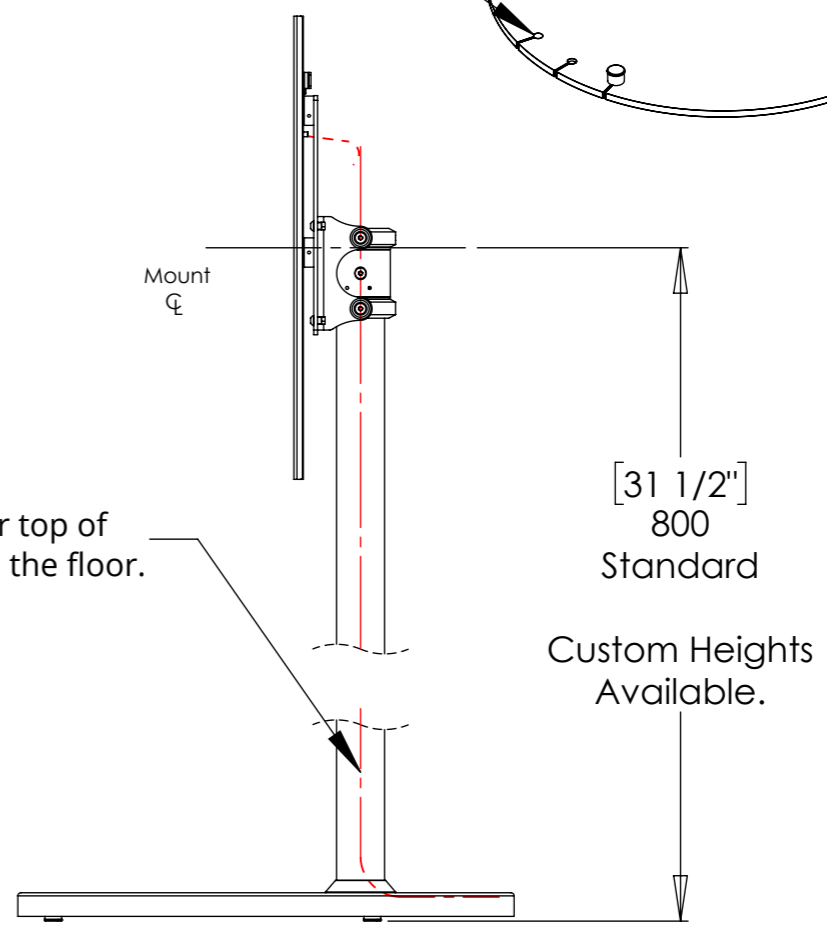
FM must be secured to the floor



Quick release mount can accommodate bolt patterns up to VESA 400x400.
Custom mount options available.

Feet optional

Screen cables to enter top of pole and run down to the floor.



FM FLOOR MOUNT



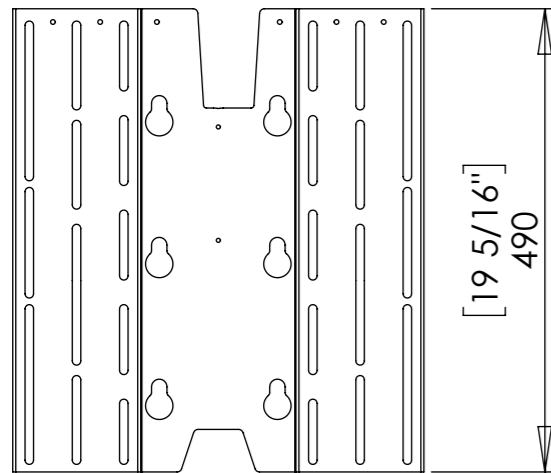
future automation

MOUNT CONFIGURATIONS

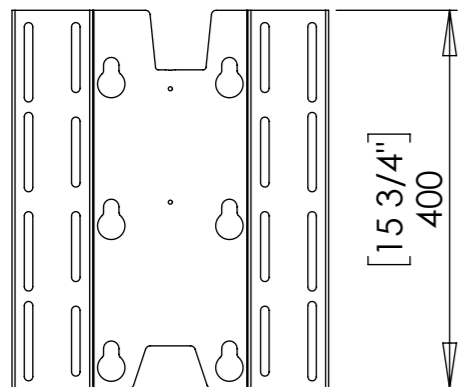
A standard adjustable height VESA 400 mount is included. This is also compatible with VESA 300 and 200 mounting patterns.

Separate VESA 300 and 200 mounts are available for smaller screens.

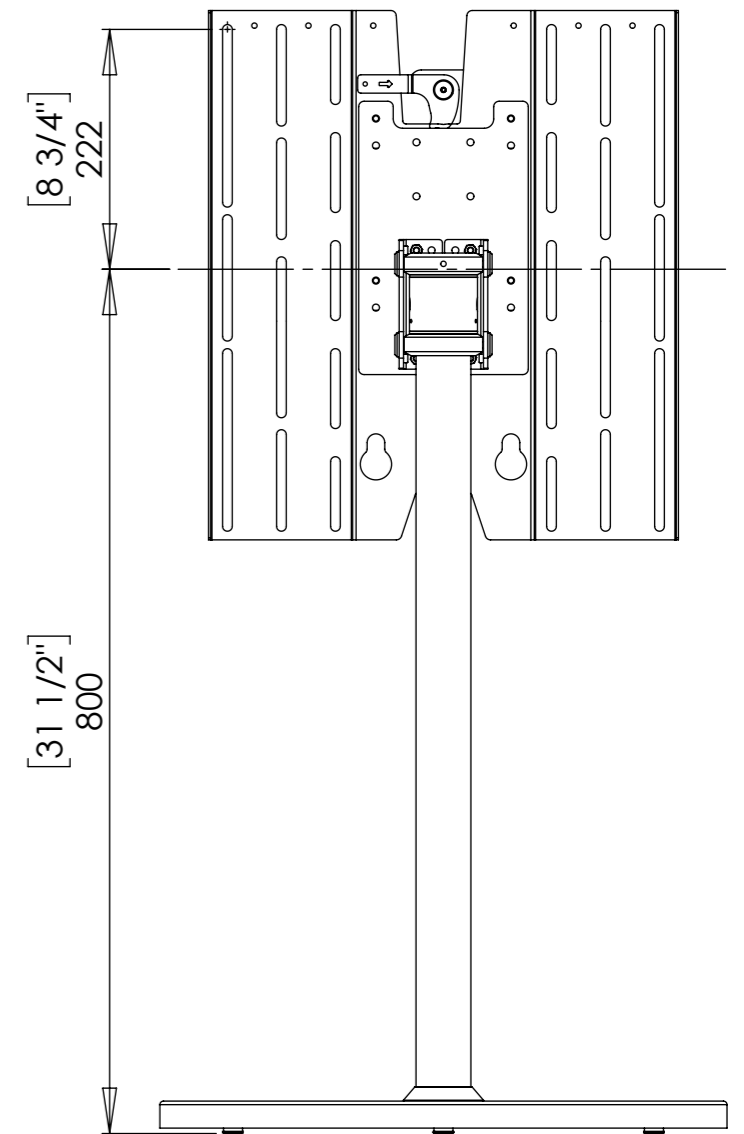
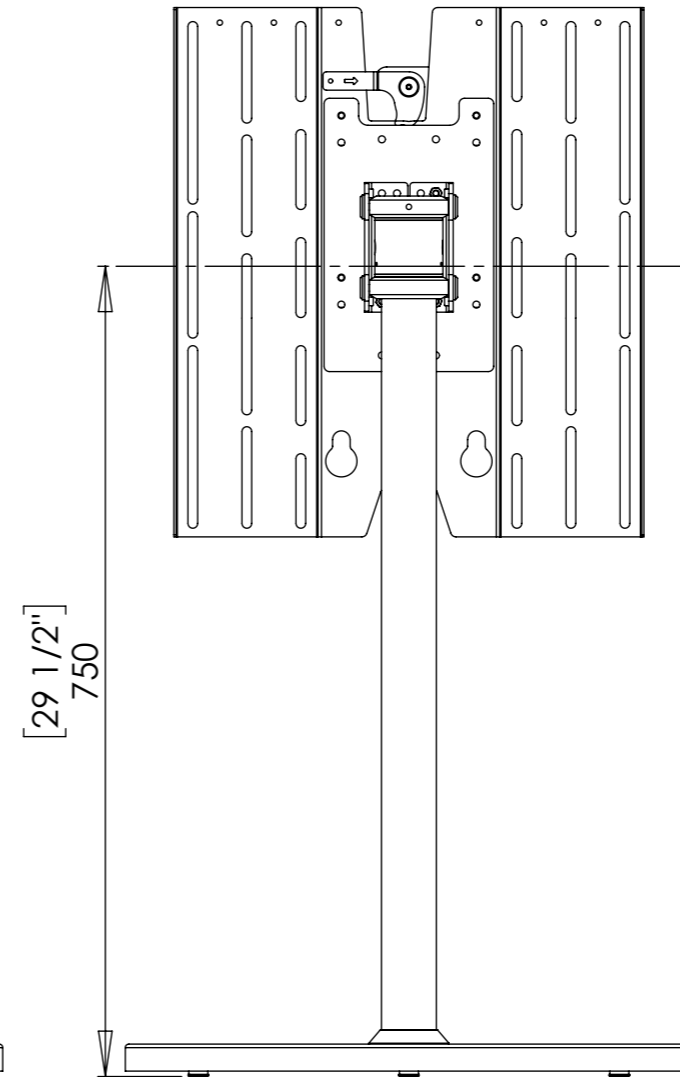
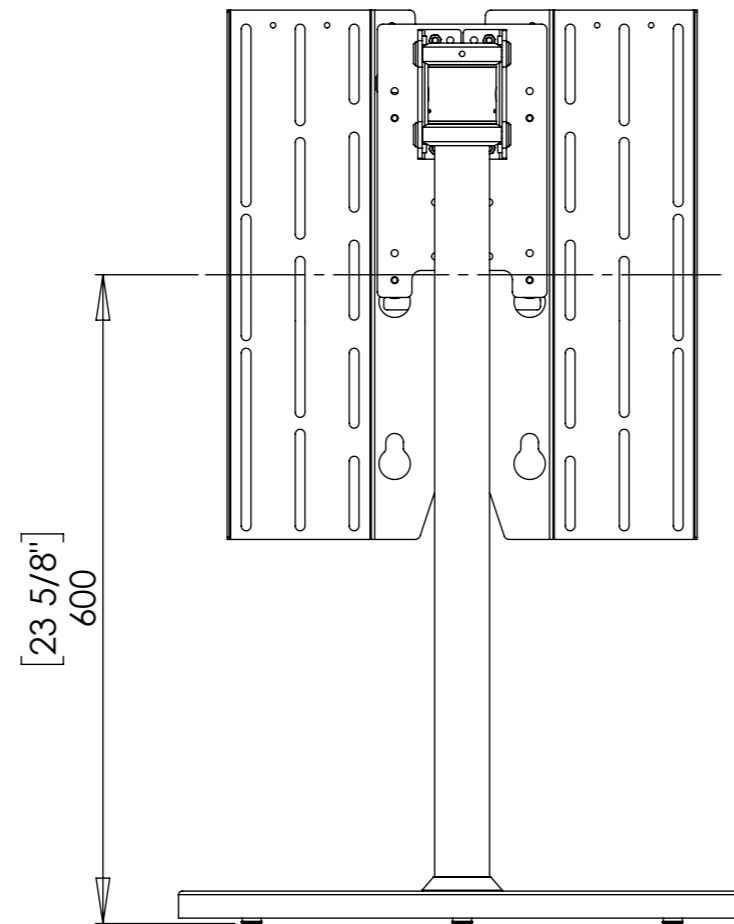
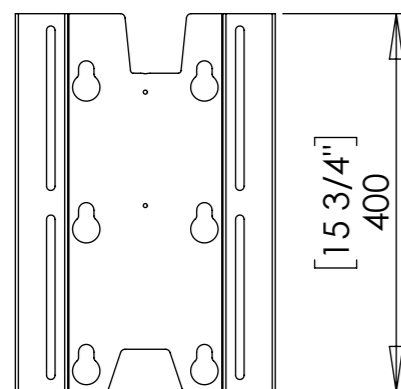
VESA 400



VESA 300



VESA 200



FEET OPTIONAL

TECHNICAL SHEET

ISSUE 006
SHEET 4