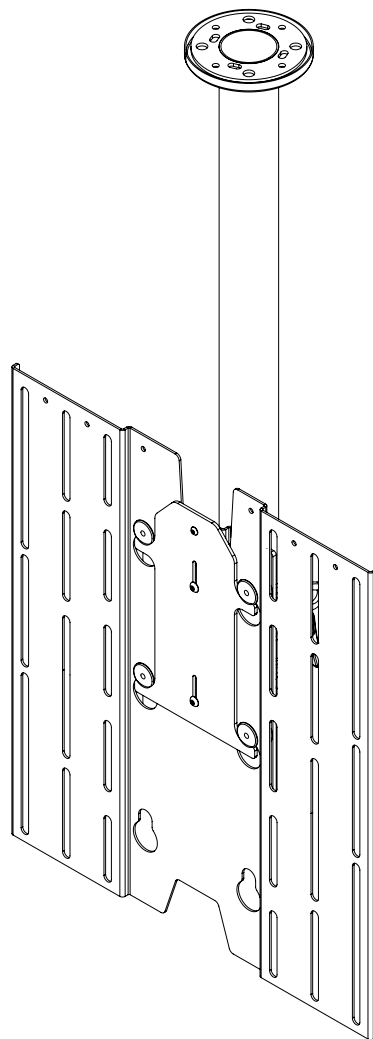




future automation

CM

TV CEILING MOUNT 32" - 65"



INSTALLATION INSTRUCTIONS

ISSUE 002

SAFETY DISCLAIMER

IMPORTANT SAFETY INSTRUCTIONS BELOW

WARNING: Failure to provide adequate structural strengthening, prior to installation can result in serious personal injury or damage to the equipment. It is the installer's responsibility to ensure the structure to which the component is affixed can support four times the weight of the component and any additional apparatus mounted to the component.

WARNING: Do not exceed the weight capacity for this product as listed below. This can result in serious personal injury or damage to the equipment. It is the installer's responsibility to ensure that the total combined weight of all attached components does not exceed that of the maximum figure stated.

WARNING: Risk of death or serious injury may occur when children climb on audio and/or video equipment or furniture. A remote control or toys placed on the furnishing may encourage a child to climb on the furnishing and as a result the furnishing may tip over on to the child.

WARNING: Risk of death or serious injury may occur. Relocating audio and/or video equipment to furniture not specifically designed to support audio and/or video equipment may result in death or serious injury due to the furnishing collapsing or over turning onto a child or adult.



WARNING – RISK OF INJURY!



Only for use with equipment weighing **110LBS (50KG) OR LESS.**

Use with heavier projectors/equipment may lead to instability causing tip over or failure resulting in death or serious injury.

Bracket Suitable for Residential and Commercial Use.

ADDITIONAL WARNINGS:

1. Keep all documentation/instructions after fitting.
2. Read all technical instructions fully before installation and use. It is the installer's responsibility to ensure that all documentation is passed on to the end user and read fully before operation.
3. Do not use near water or outdoors unless the product has been specifically designed to do so.
4. Protect any cables or cords being used near this bracket from being walked on or pinched to prevent damage and risk of injury.
5. Use this product only for its intended purpose as described in the product instructions and only use attachments/accessories specified by the manufacturer.
6. Do not operate the product if it is damaged in any way, liquid has been spilled or objects have fallen into the apparatus, the apparatus has been exposed to rain or moisture, does not operate normally, or has been dropped. Contact the original installer/manufacturer to arrange repair or return.

WARNING - To reduce the risk of burns, fire, electric shock, or injury to persons:

1. Clean only with a dry cloth and always unplug any electrical items being used in conjunction with this product before cleaning.

Future Sound & Vision trading as Future Automation intend to make this and all documentation as accurate as possible. However, Future Automation makes no claim that the information contained herein covers all details, conditions or variations, nor does it provide for every possible contingency in connection with the installation or use of this product. The information contained in this document is subject to change without prior notice or obligation of any kind. Future Automation makes no representation of warranty, expressed or implied, regarding the information contained herein. Future Automation assumes no responsibility for accuracy, completeness or sufficiency of the information contained in this document.

PRODUCT WARRANTY & RISK ASSESSMENT

WARRANTY INFORMATION

WARNING - The warranty offered for this product shall be annulled if the product is used improperly or in a way that is in breach of our Terms of Service.

Future Automation provides warranty for the mechanism you purchased for the period of **24 months** from the date of purchase, provided that it isn't used for unintended purposes.

Under the warranty, Future Automation aims to either solve the issue remotely (via telephone or email support) or if the mechanism requires a part, arrange a visit to your premises by a Future Automation approved engineer or send replacement items where appropriate.

Warranty repairs will be carried out as quickly as possible, but subject to parts availability. This warranty period is respectively extended for the period of a repair.

A malfunctioning product must be cleaned and placed into suitable packaging to protect against transit damage before organising delivery to a repair workshop.

All the complaints about defects must be submitted to the vendor/installer that sold this product, rather than directly to the manufacturer.

Any part of your system that needs to be replaced during a warranty repair becomes the property of Future Automation.

The warranty does not cover the following:

- Damages resulting from improper product use or maintenance.
- Repairs carried out by unauthorized persons.
- Natural wear and tear during operation.
- Damages caused by the buyer.
- Accidental damages caused by a customer or damages caused as a result of careless attitude or usage, or damages caused by natural disasters (natural phenomena).
- Any electrical, or other environmental work external to your Future Automation mechanism including power cuts, surges etc.
- Additional items not supplied by Future Automation although they may have been supplied together by the retailer
- Any 3rd party software products controlling your mechanism
- Any transfer of ownership. Warranty is provided only to the initial purchaser.
- Compensation for loss of use of the product, and consequential loss of any kind.

A separate Safety and Servicing Information document is provided with these instructions (additional copies can be found at www.futureautomation.co.uk/safety), and this document **MUST** be filled out by the approved Future Automation Dealer who is installing the product. This Warranty Sheet must be held by the end user for the duration of the products life and will be referred to during servicing or warranty queries.

The Safety and Servicing Information document also contains two Service History Forms that must be filled in by the approved Future Automation dealer who is performing the first required yearly service of this product.

One copy of the Service History Form must be held by the customer (along with the Warranty Sheet) and a duplicate copy must be held by the approved Future Automation dealer that performed the service. Missing and/or mismatching documents may delay or invalidate warranty claims.

Additional Service History Forms can be found on the Future Automation website for further yearly services.

RISK ASSESSMENT INFORMATION

It is the installer's responsibility to perform a risk assessment of installed products. Future Automation can provide guidelines to installers/dealer about what should be included in a risk assessment, but due to the individual nuances of each location/site, Future Automation cannot provide a full list of areas to risk assess.

For full risk assessment and safety information please view our Safety and Servicing guide available at www.futureautomation.net/safety

GUIDE CONTENTS

SAFETY DISCLAIMER	1
PRODUCT WARRANTY & RISK ASSESSMENT	2
GUIDE CONTENTS	3
PACKAGE CONTENTS	4
INSTALLING THE CEILING MOUNT	5
INSTALLING THE CEILING MOUNT CONT.	6
INSTALLING THE CEILING MOUNT CONT.	7
NOTES:	8

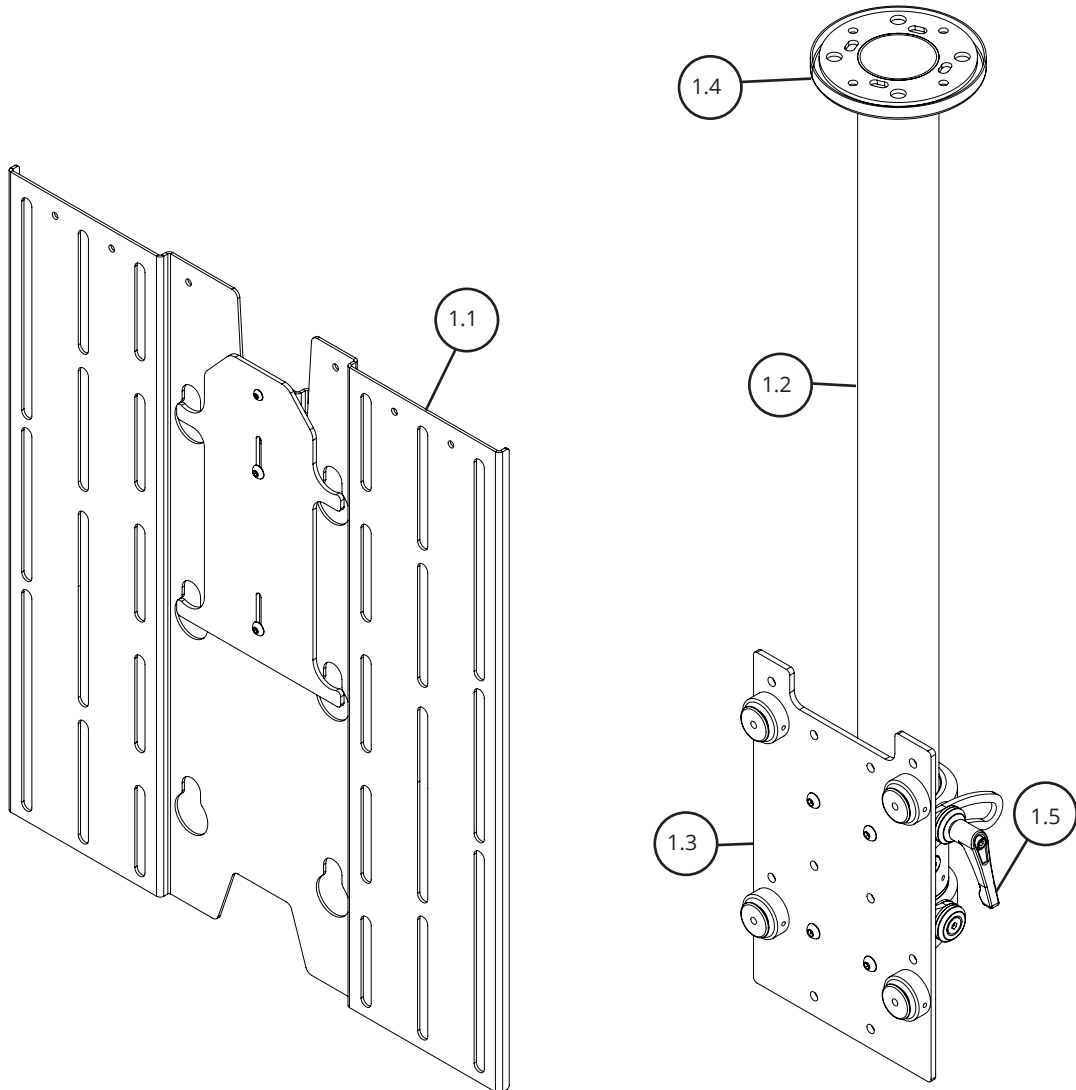
PACKAGE CONTENTS

1 - PRODUCT TITLE

- 1.1 - KH SCREEN MOUNT
- 1.2 - CM POLE
- 1.3 - CM MOUNT ASSEMBLY
- 1.4 - CM FLANGE COVER
- 1.5 - PLASTIC TILT HANDLES

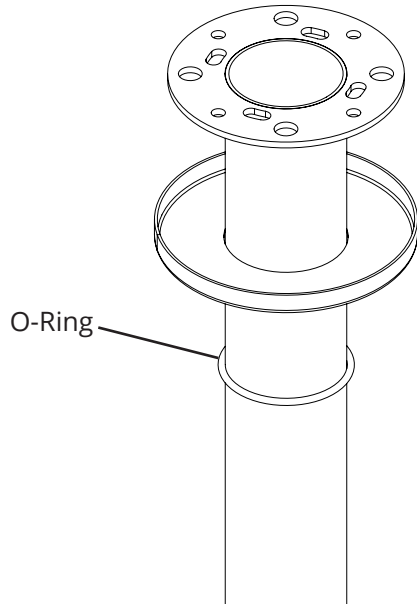
ITEMS NOT SHOWN ON PAGE (IF APPLICABLE)

- (CEILING MOUNT) ACCESSORY PACK:
 - SCREEN FIXINGS PACK
(MULTI-PACK OF NUTS, BOLTS, SPACERS AND WASHERS)



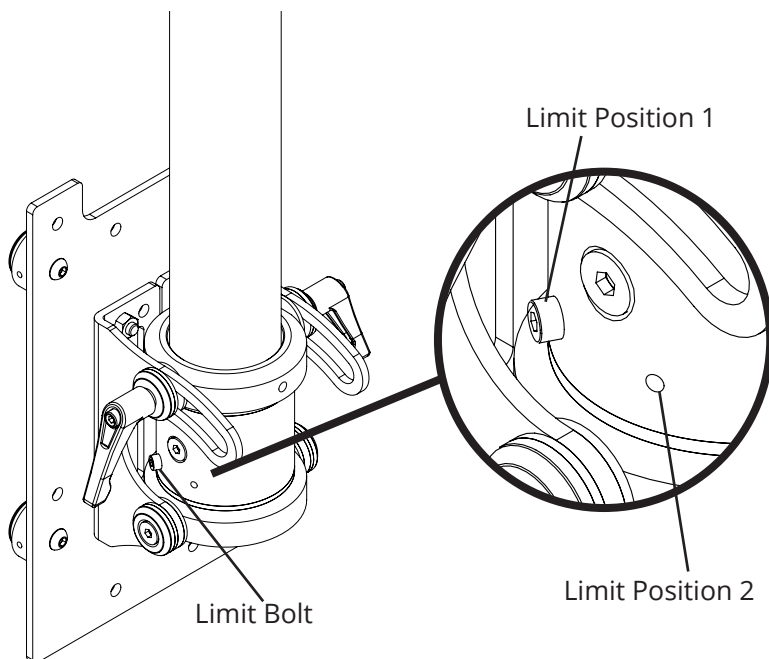
INSTALLING THE CEILING MOUNT

1



- Slide the O-Ring down the CM pole to allow the CM Flange Cover to slide down the pole. Hold the CM Pole to the ceiling and fix through the $\text{\O}10\text{mm}$ and $\text{\O}6\text{mm}$ at the top using suitable fixings (not provided).
- Slide the CM Flange Cover to the ceiling to hide the CM Pole fixings and use the O-Ring to secure in place.

2

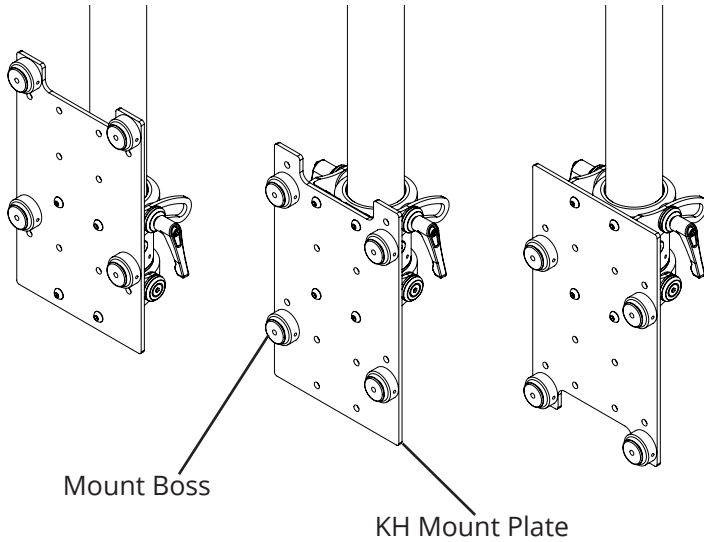


- Two M6 cap headbolts are provided to limit the rotation of the FM. Locate them in the desired location to limit rotation as required.

NOTE: WITHOUT THE LIMIT BOLTS THE FM COULD BE ROTATED CONTINUOUSLY, DAMAGING ROUTED CABLES

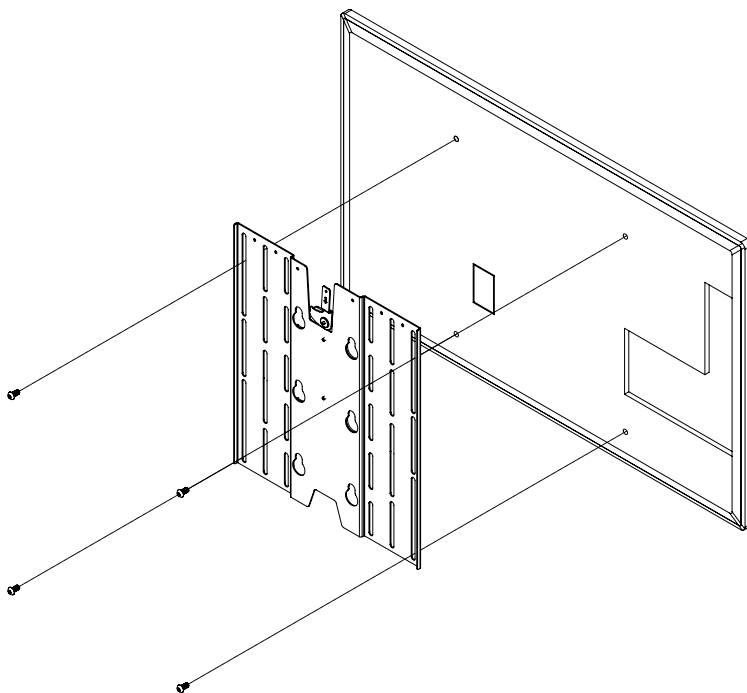
INSTALLING THE CEILING MOUNT CONT.

3



- Screen Mount height can be adjusted by using the higher or lower fixing holes in the middle of the KH Mount Plate.
- Alternatively all four mount boss positions can be altered vertically.
- For lower mount positions, the KH Mount Plate can be turned upside down.

4

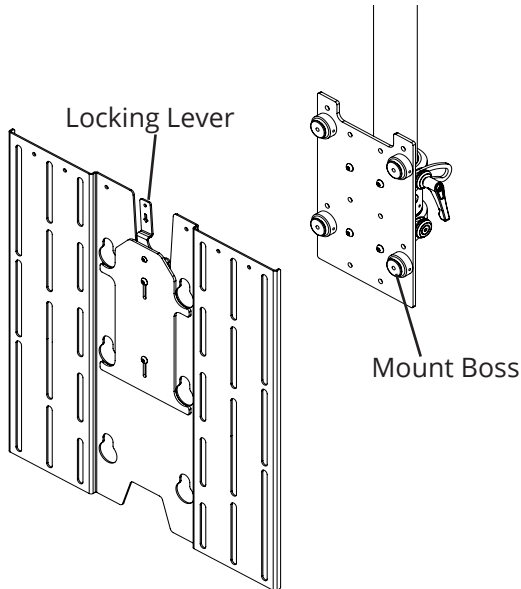


- Secure the screen mount to the mount holes on the back of the screen using the bolts provided.

NOTE: IF THE DISPLAY IS NOT VESA COMPATIBLE A CUSTOM ADAPTER WILL NEED TO BE ADDED AT THIS STAGE.

INSTALLING THE CEILING MOUNT CONT.

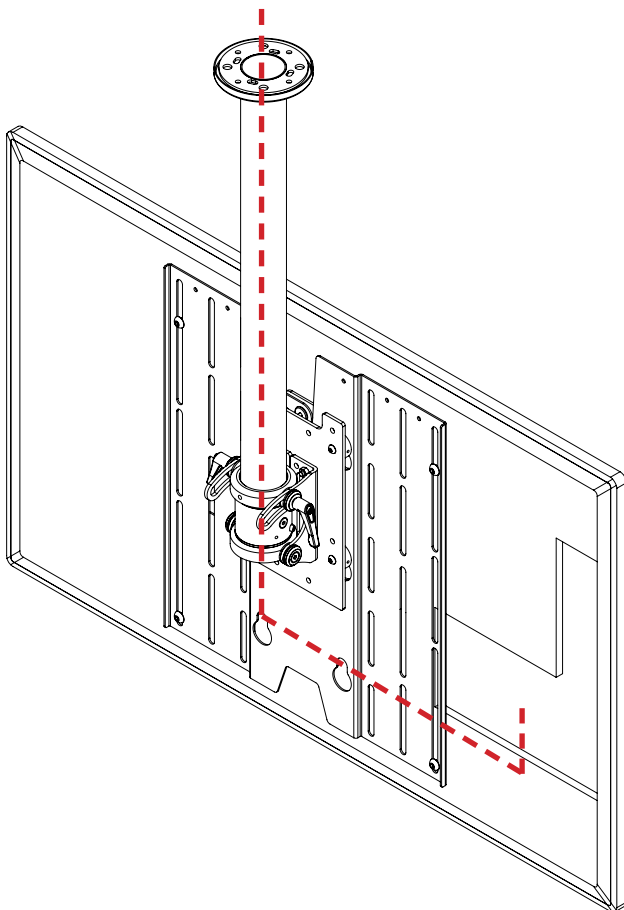
5



- With the screen attached, the mount plate can be hooked onto the corresponding mount boss, and secured in place by rotating the locking lever 90°.

MAKE SURE TO TEST THE CM'S TILT FUNCTIONALITY USING THE PLASTIC TILT HANDLES BEFORE ATTACHING THE SCREEN.

6



- Cables can be routed up through the CM Pole and into the ceiling.

NOTE: ENSURE THERE IS SUFFICIENT CABLE SLACK TO ALLOW FOR ROTATION



EUROPEAN OFFICE

Address:
Unit 6-8
Brunel Road
Bedford
Bedfordshire
MK41 9TG

Phone: +44 (0) 1438 833577
Email: info@futureautomation.co.uk

Office Hours:
Mon - Fri 8:00 to 17:30 GMT
Saturday & Sunday - Closed

NORTH AMERICAN OFFICE

Address:
Enterprise Park
127 Venture Drive
Dover
NH
03820

Phone: +1 (603) 742 9181
Email: info@futureautomation.net

Office Hours:
Mon - Fri 7:00 to 17:00 EST
Saturday & Sunday - Closed