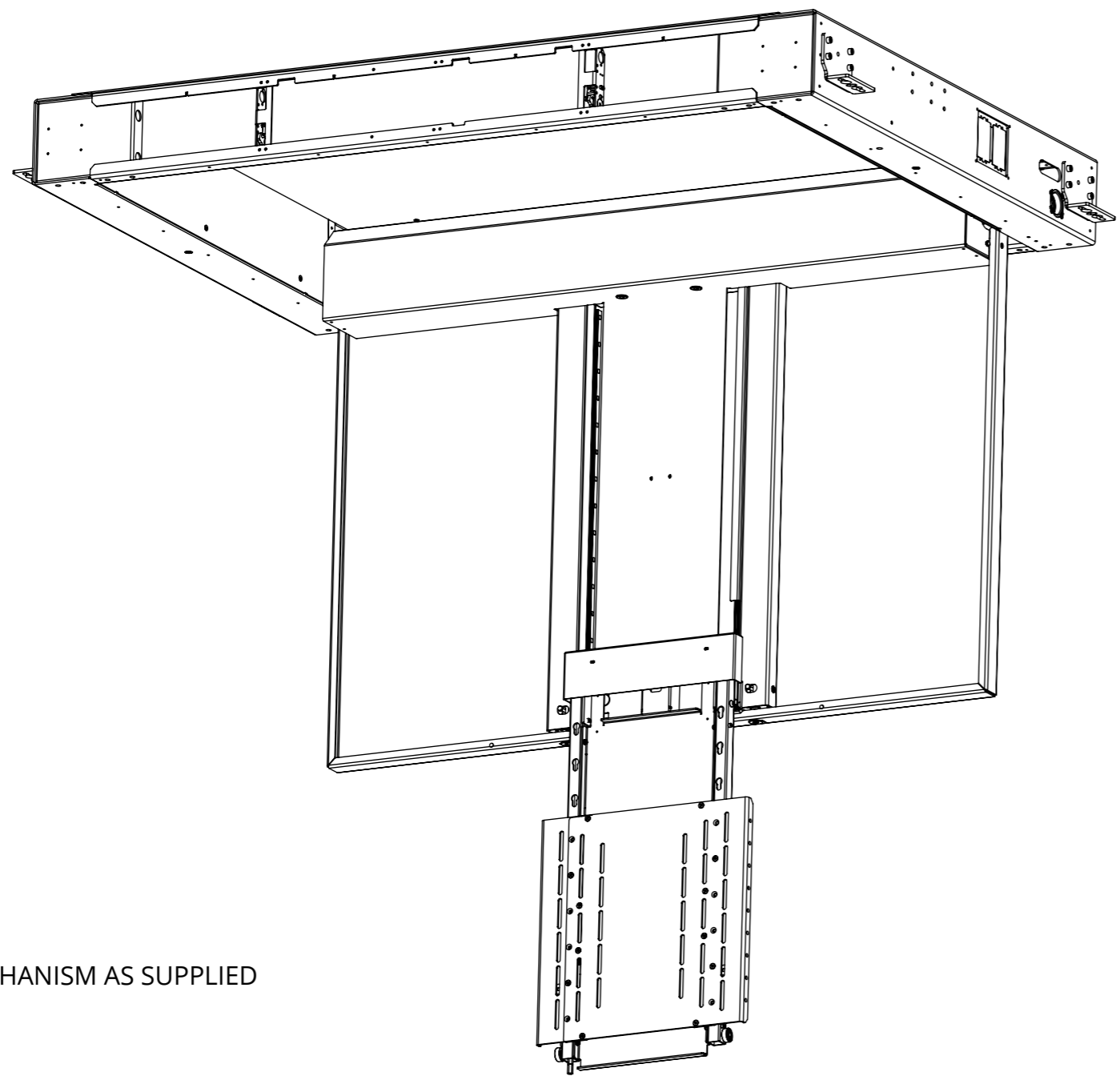
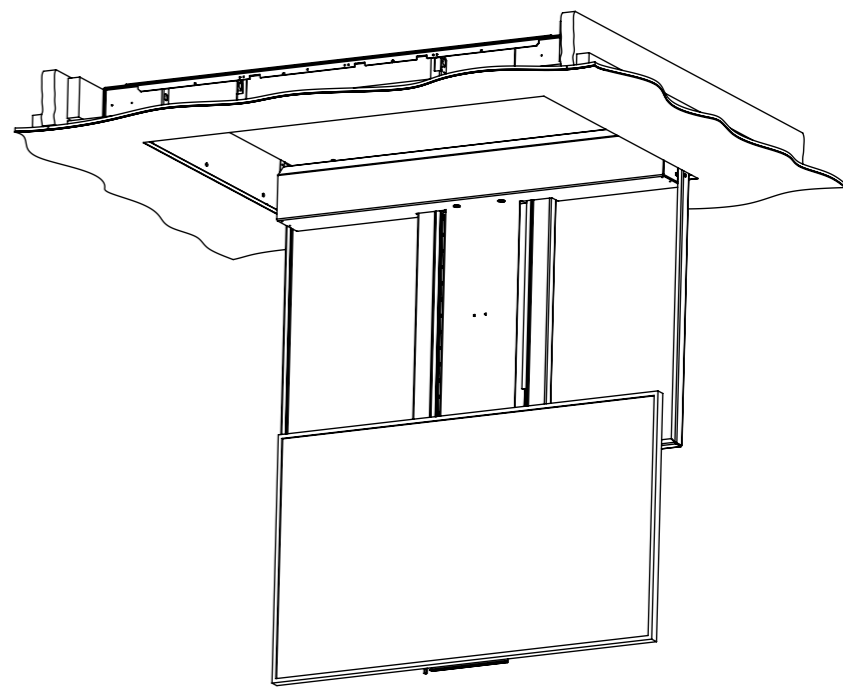
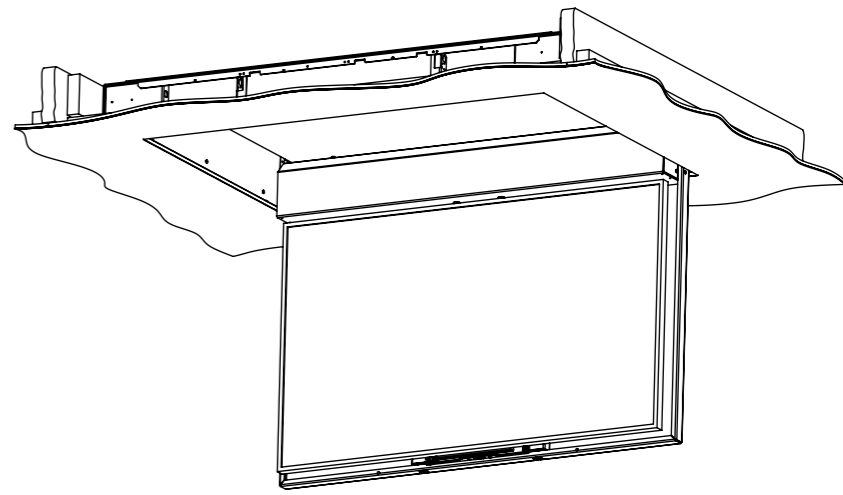
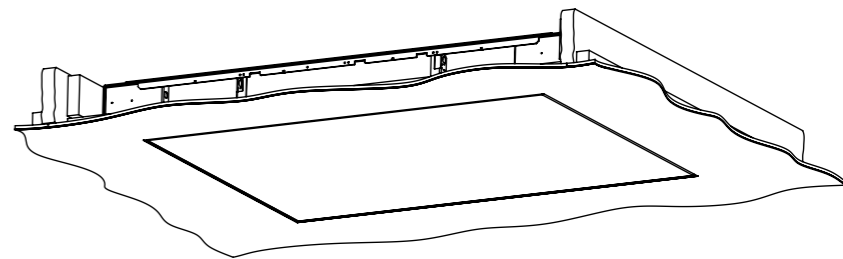


CHRT6-RES

RESIDENTIAL CEILING HINGE RANGE WITH TELESCOPE



MECHANISM AS SUPPLIED



CHRT6-RES

RESIDENTIAL CEILING HINGE RANGE WITH TELESCOPE



future automation

SPECIFICATION	MEASUREMENTS
Product Dimensions	2024mm [79 11/16"] W x 1305mm [51 6/16"] L x 210mm [8 4/16"] D
Product Weight	165Kg [364lb]
Maximum Screen Size	1530mm [60 4/16"] W x 920mm [36 4/16"] L x 100mm [3 15/16"] D
Maximum Weight Capacity	90Kg [198lb] Max. <i>*Assuming Screen Weight Biased Low (3/4 Screen Height)</i>
Packaging Dimensions	2060mm [81 2/16"] W x 1480mm [58 4/16"] L x 440mm [17 5/16"] D
Shipping Weight	268Kg [591lb]
Maximum Rotation	90° Hinge
Movement Type	Motorised
Control System	Housed Internally - Accessible by Internal Access Hatch
Power Supply Required	110V - 240V AC 50/60Hz
Power Consumption Max.	720W
Power Consumption Standby	3W
Mounting Patterns Supported	VESA 400, 300, 200 W x 400, 300, 200 H
Control Options	IR Remote, RS232, Contact Closure
Product Options / Features	Specific B&O and Loewe mounts / adapters, Custom RAL paint finishes, Marine suitable version
Package Contents	Mechanism, IR remote control
Environment	Residential / Commercial
Colour	WHITE - RAL9910 Satin Finish
Marine Suitable	No - Marine Indoor and Outdoor Versions Available

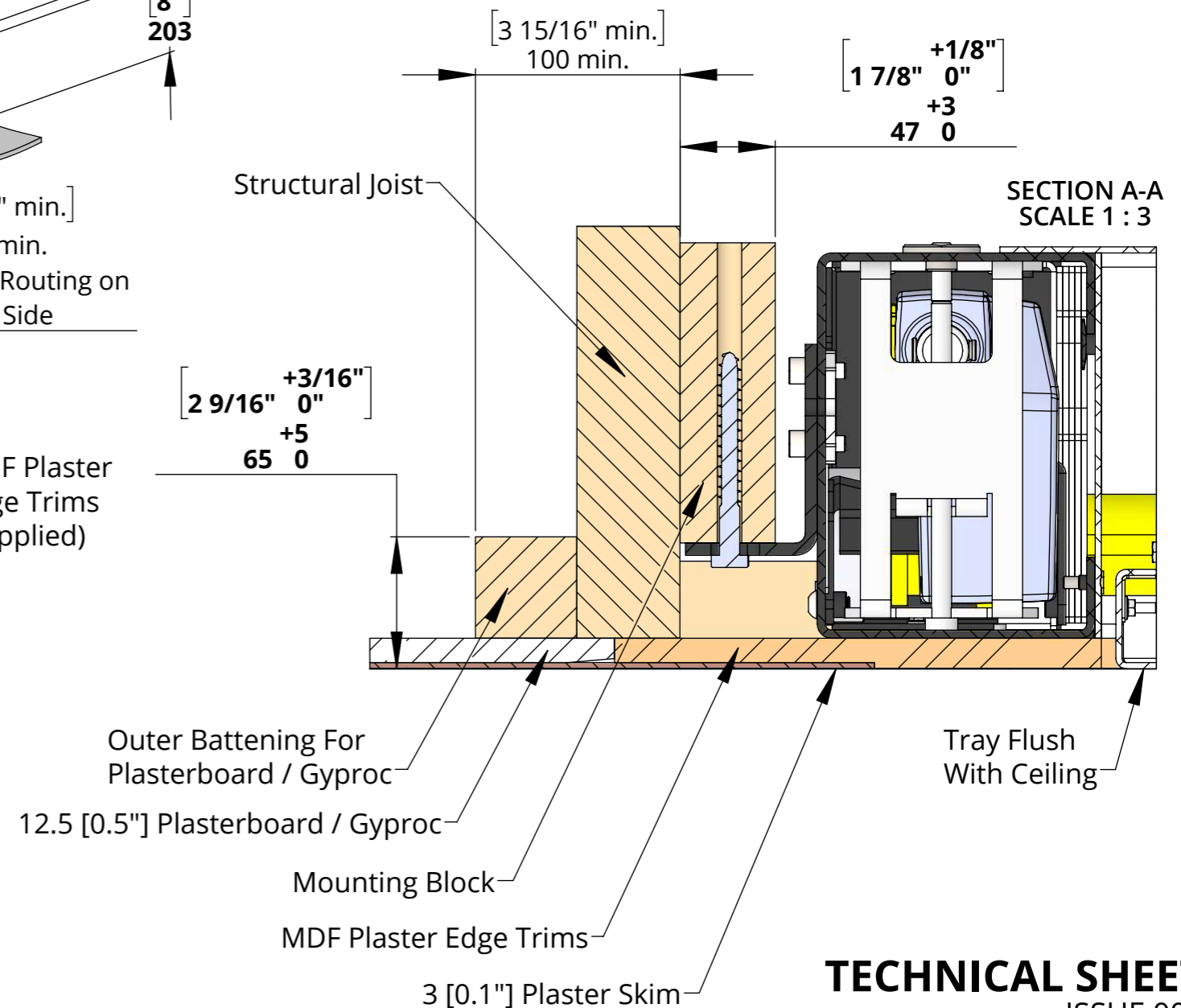
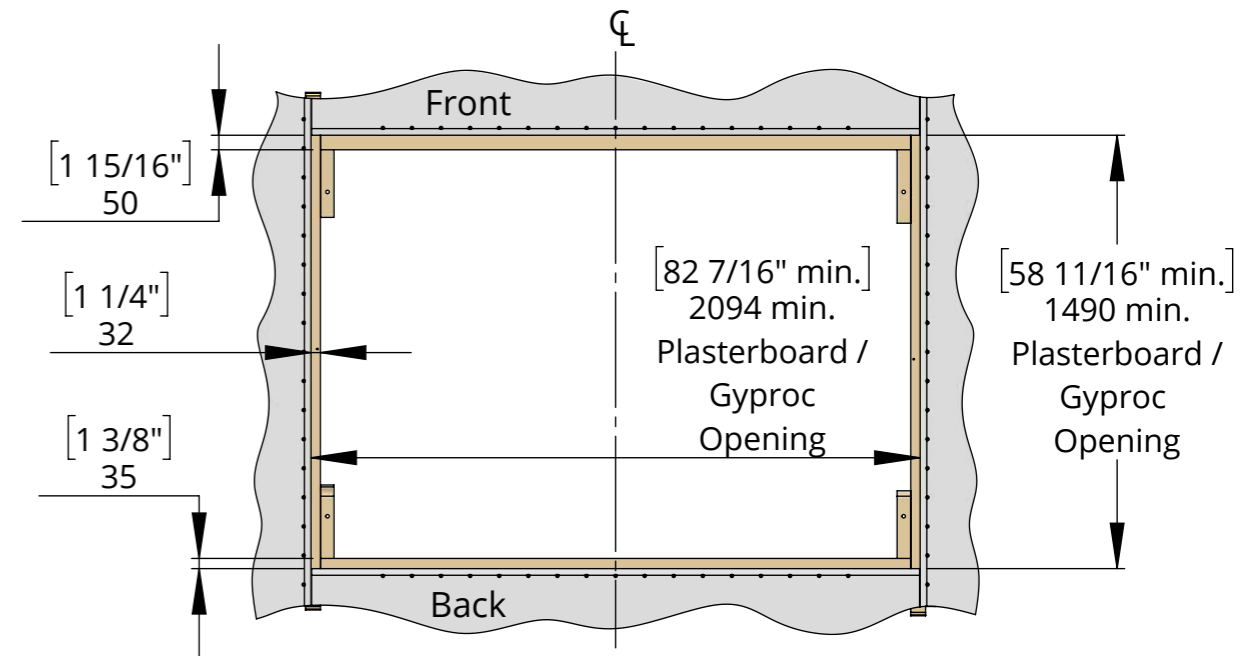
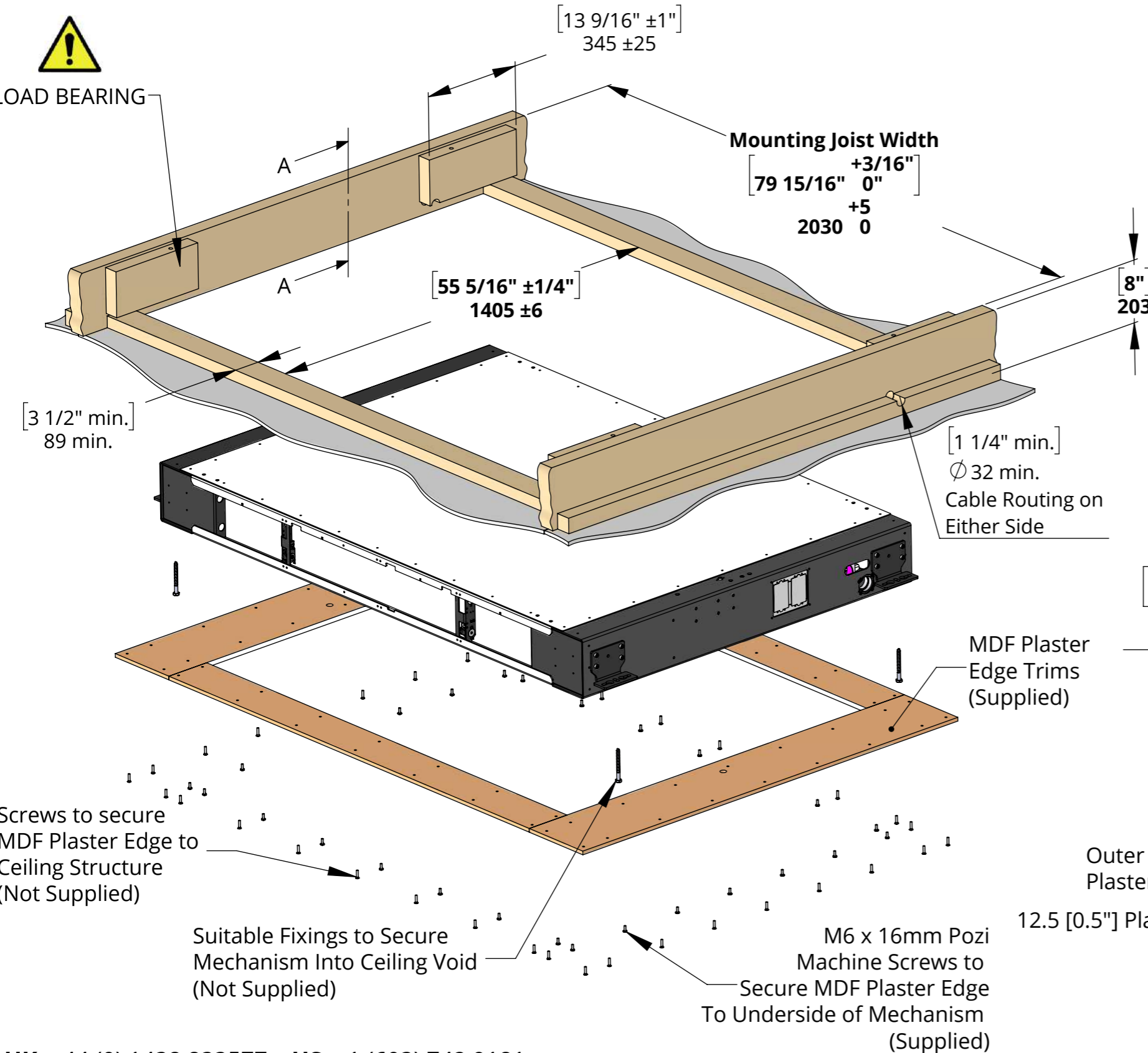


CHRT6-RES RESIDENTIAL CEILING HINGE RANGE WITH TELESCOPE

OPTION 1 - FIXING TO WOODEN BEAMS



LOAD BEARING



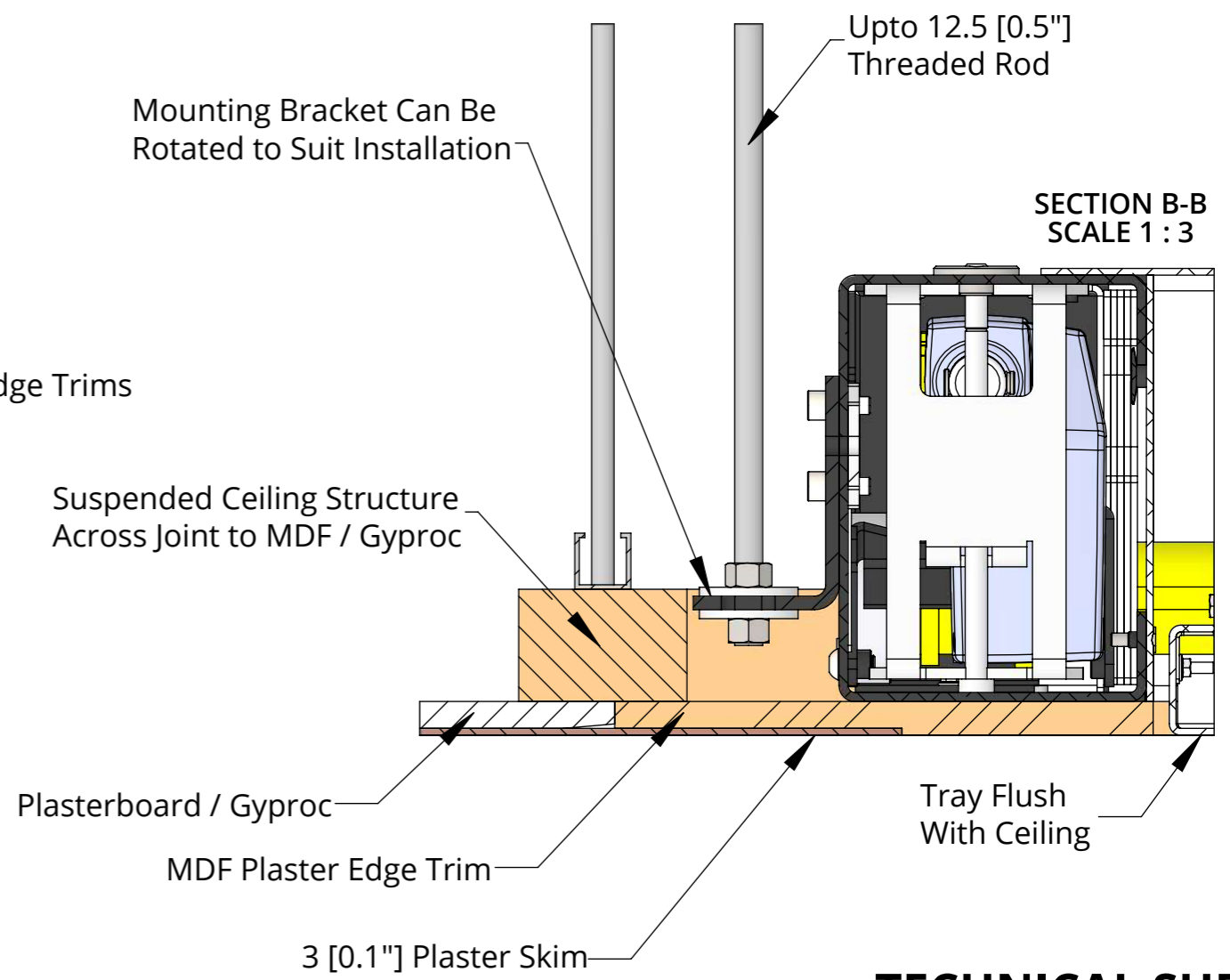
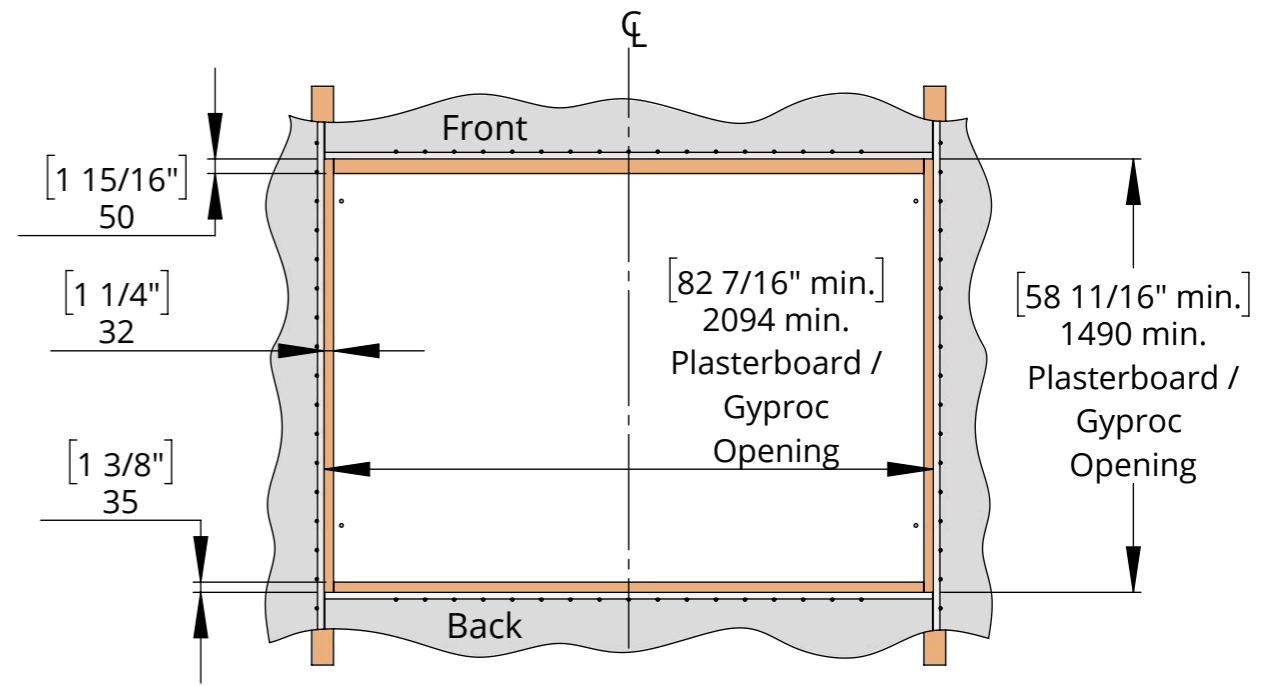
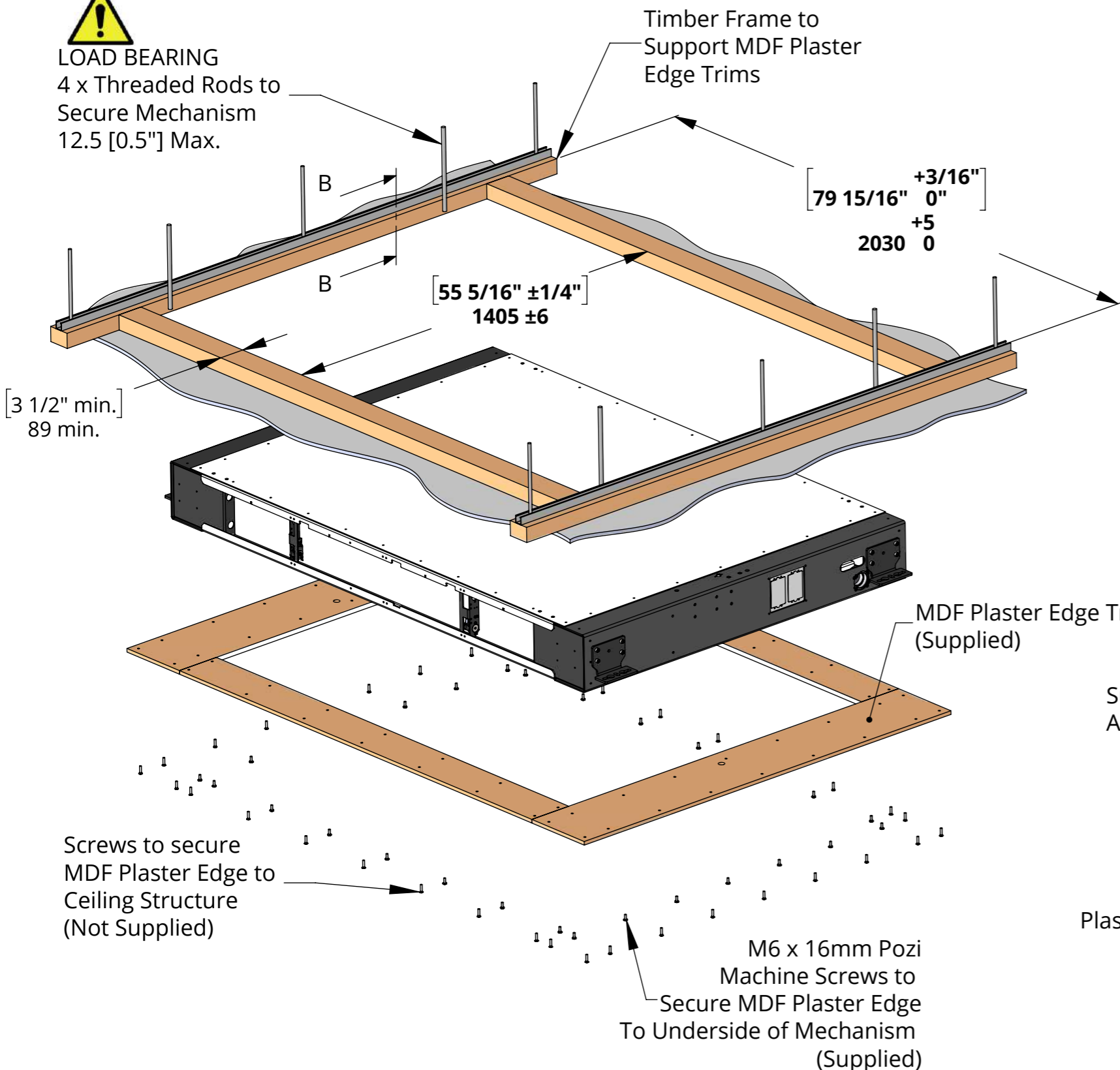
CHRT6-RES

RESIDENTIAL CEILING HINGE RANGE WITH TELESCOPE

OPTION 2 - FIXING INTO SUSPENDED CEILING



LOAD BEARING
4 x Threaded Rods to Secure Mechanism
12.5 [0.5"] Max.



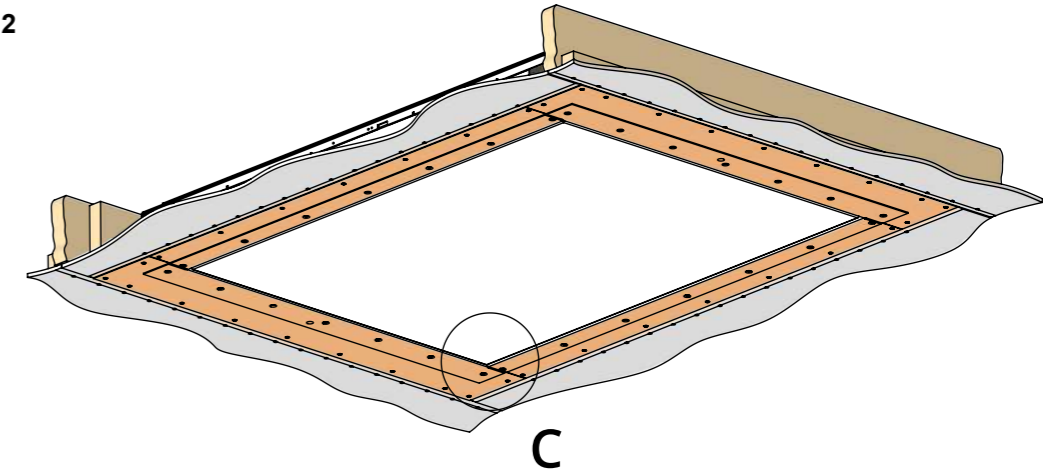
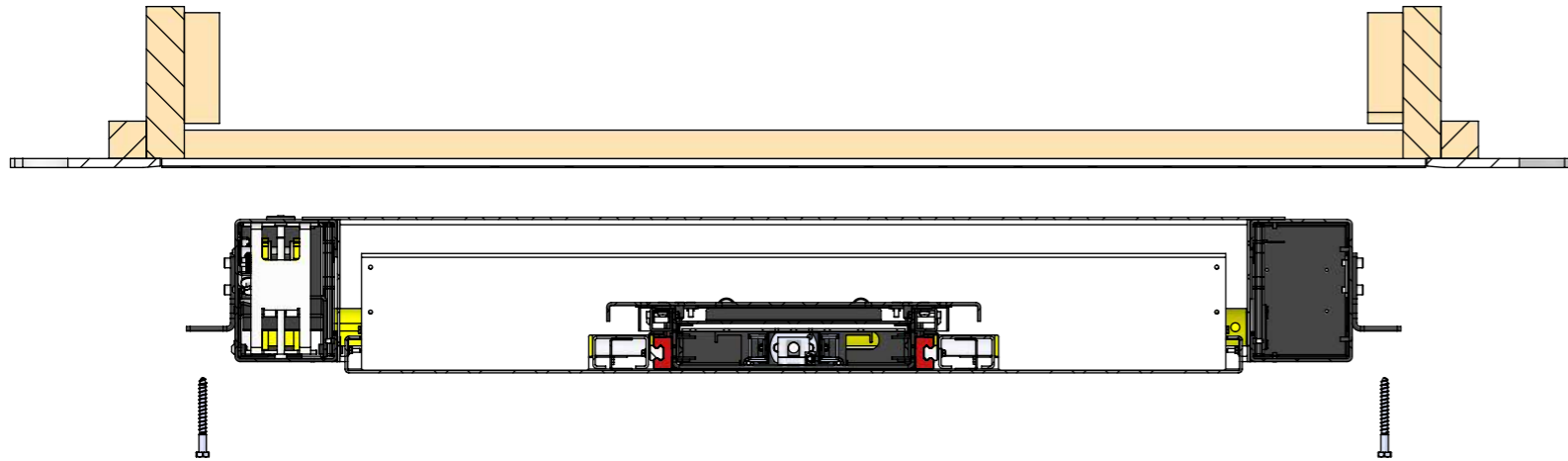
CHRT6-RES

RESIDENTIAL CEILING HINGE RANGE WITH TELESCOPE

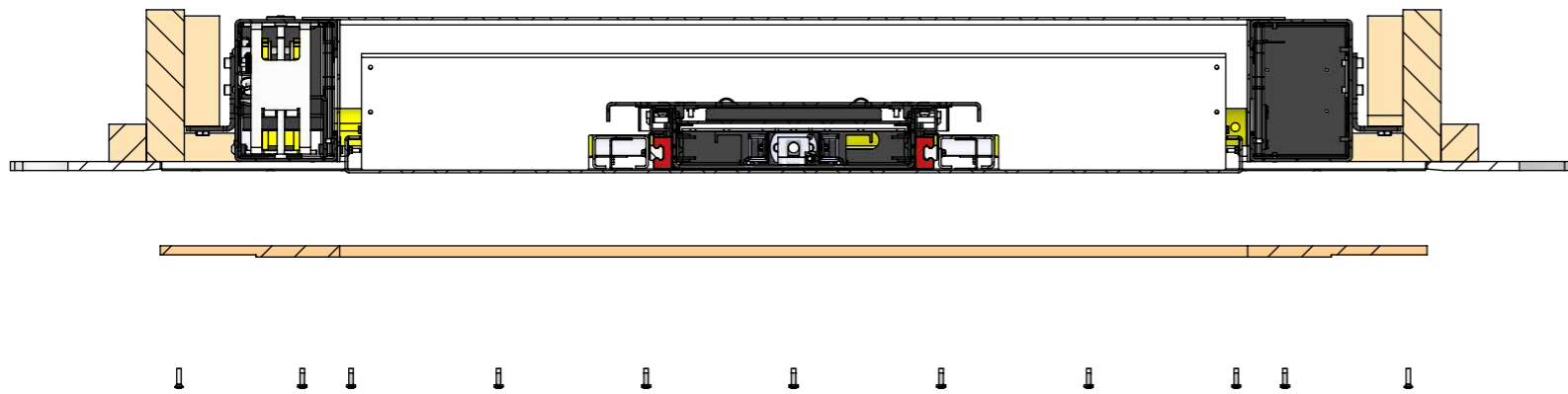
INSTALLATION PRECEDURE

THE INSTALLATION PROCEDURE IS CARRIED OUT IN THE SAME WAY FOR OPTION 1 OR OPTION 2

1. MECHANISM INSTALLATION

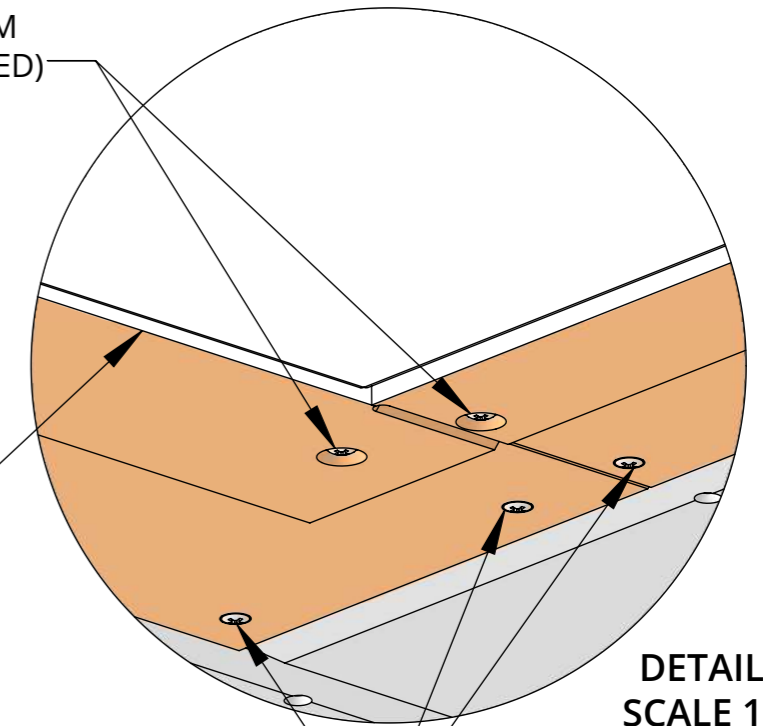


2. MDF PLASTER TRIM INSTALLATION



28 No. OFF
SS M6 x 16MM
POZI (SUPPLIED)

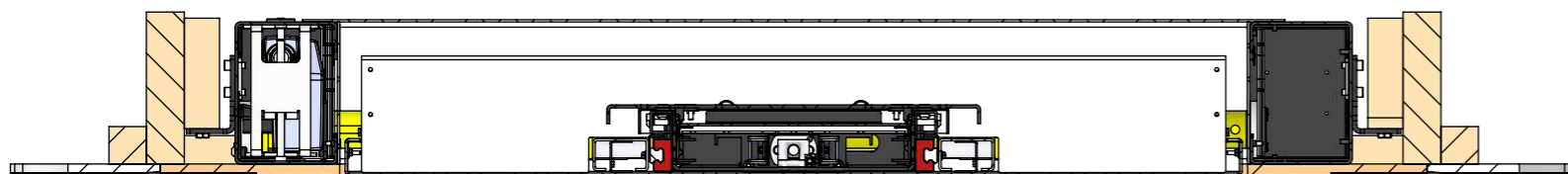
7mm [1/4"]
Shadow Gap
Around Tray



DETAIL C
SCALE 1 : 3

36 No.OFF
MDF SCREW
(NOT SUPPLIED)

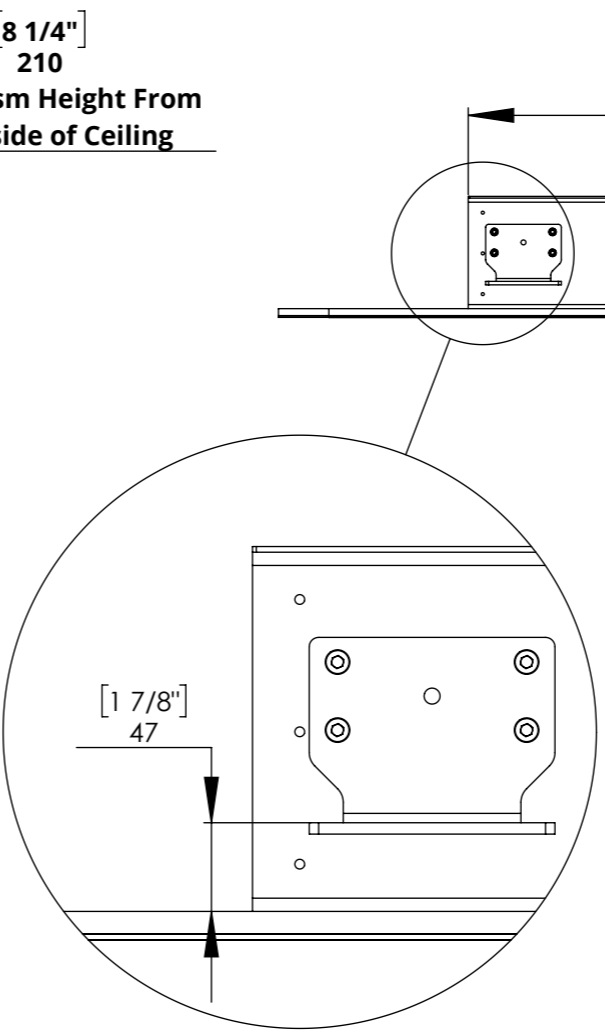
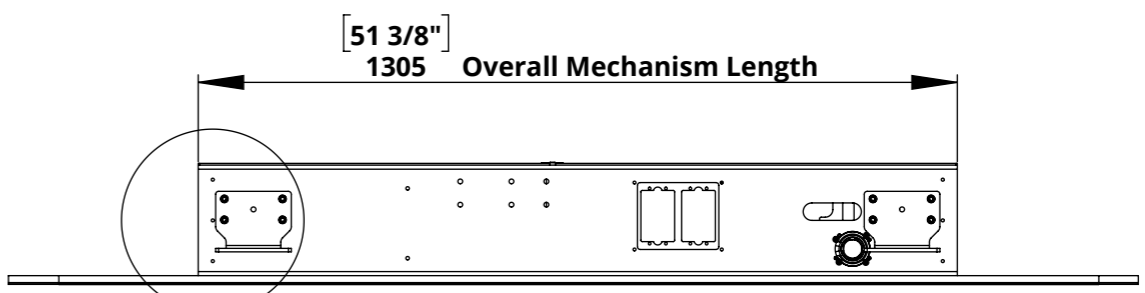
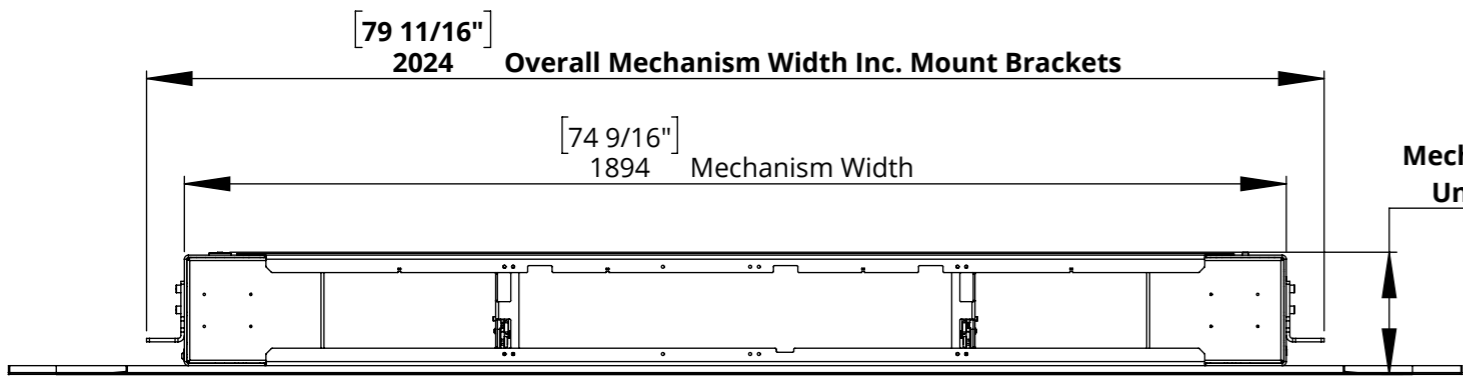
3. PLASTERING



CHRT6-RES

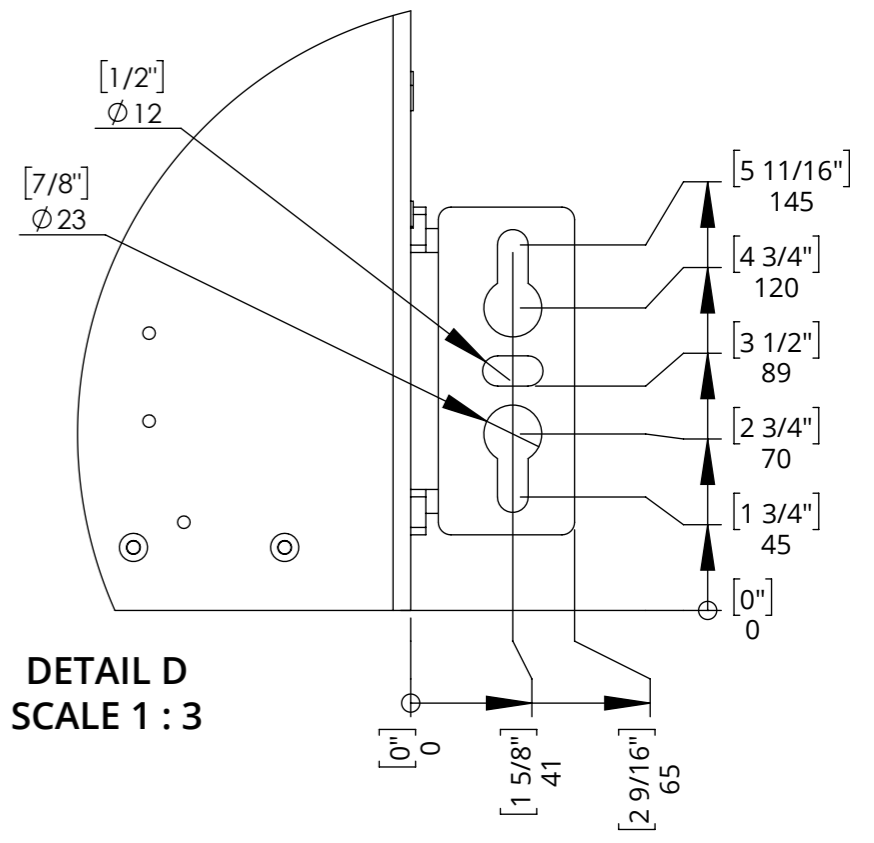
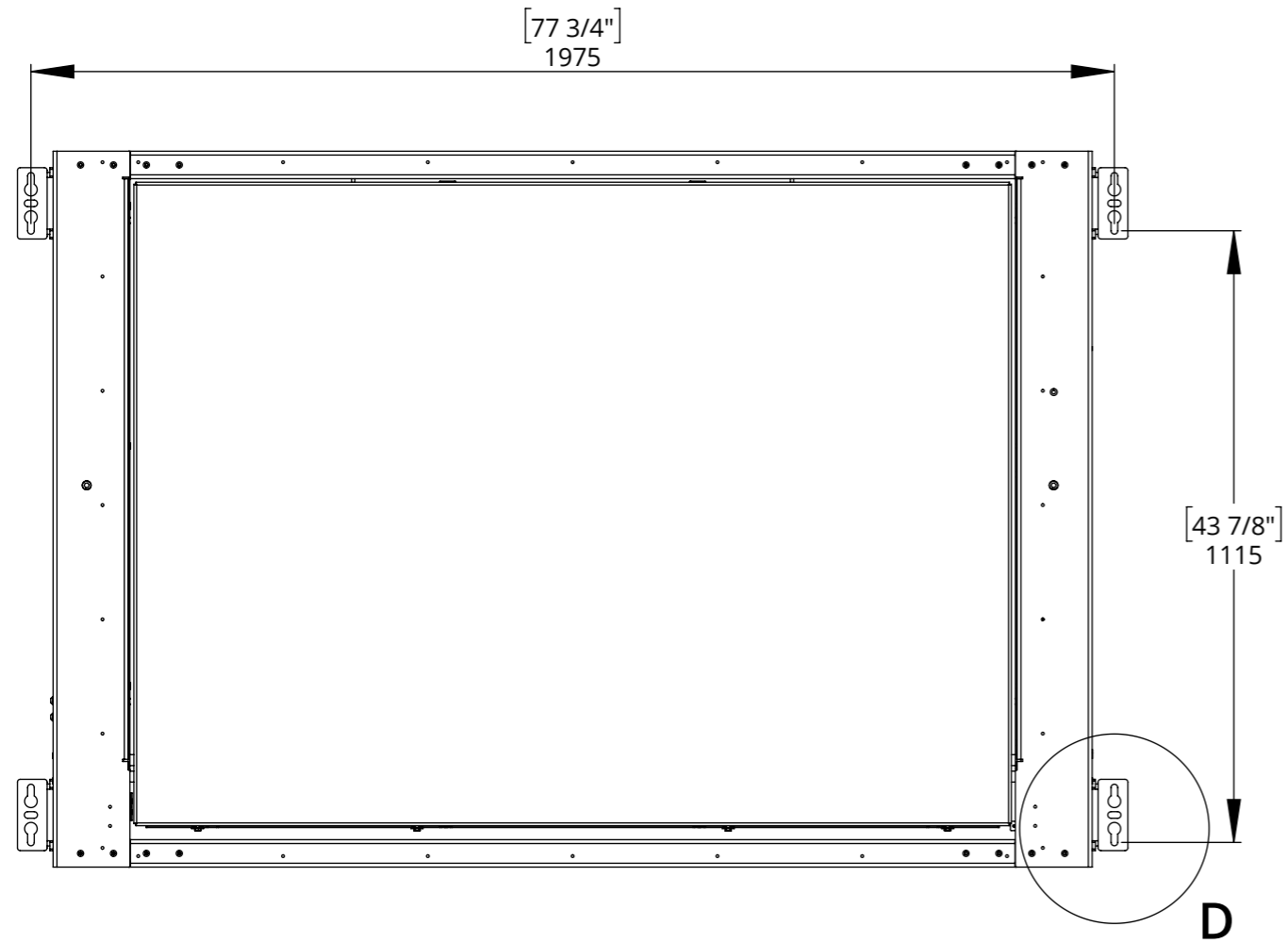
RESIDENTIAL CEILING HINGE RANGE WITH TELESCOPE

MECHANISM DIMENSIONS - CLOSED



FIXING DETAIL

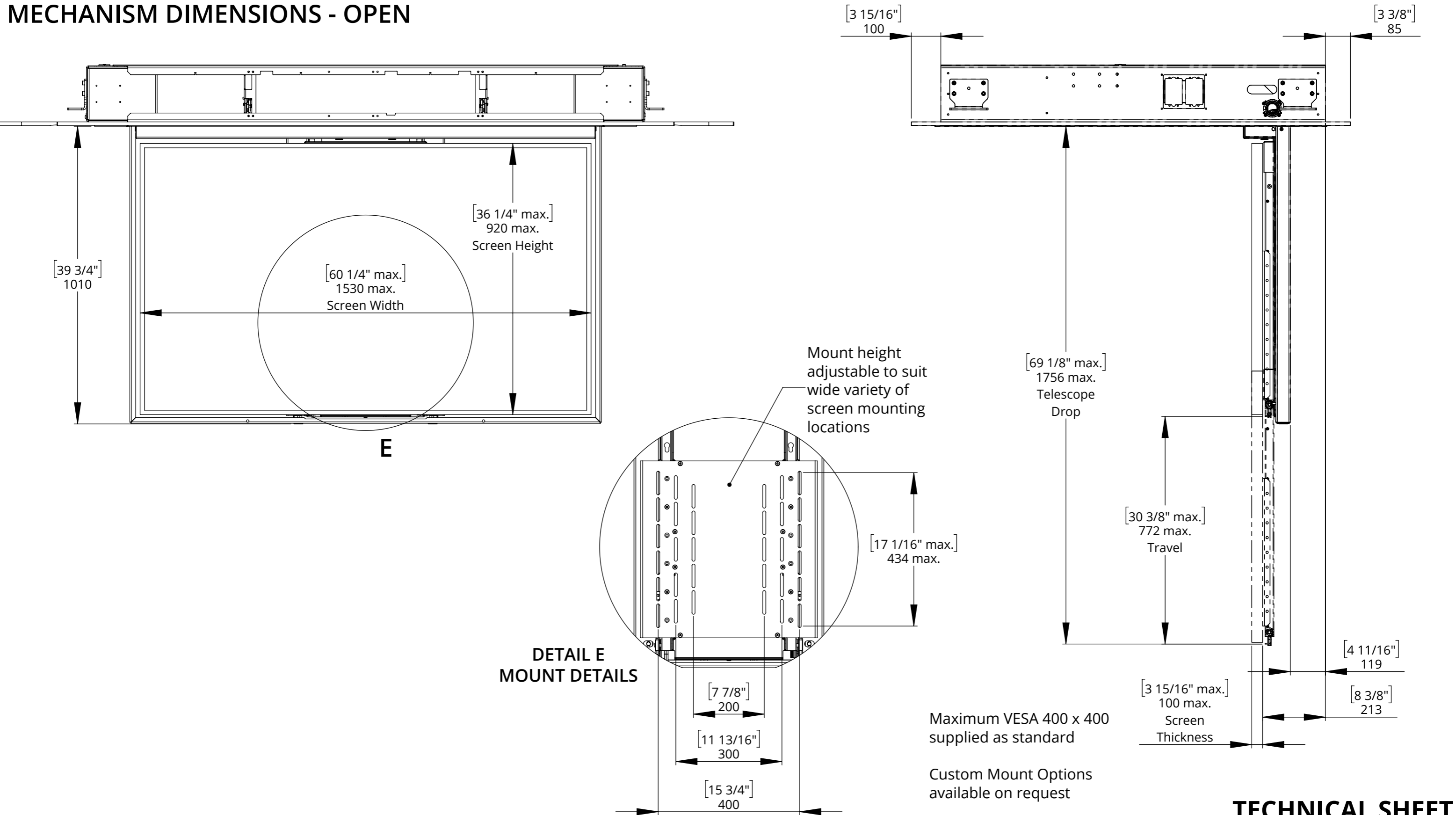
Mechanism mounted on M12 [0.5] Studding or fixed to underside of the ceiling joist structure, both using the mounting brackets installed on mechanism as standard



CHRT6-RES

RESIDENTIAL CEILING HINGE RANGE WITH TELESCOPE

MECHANISM DIMENSIONS - OPEN



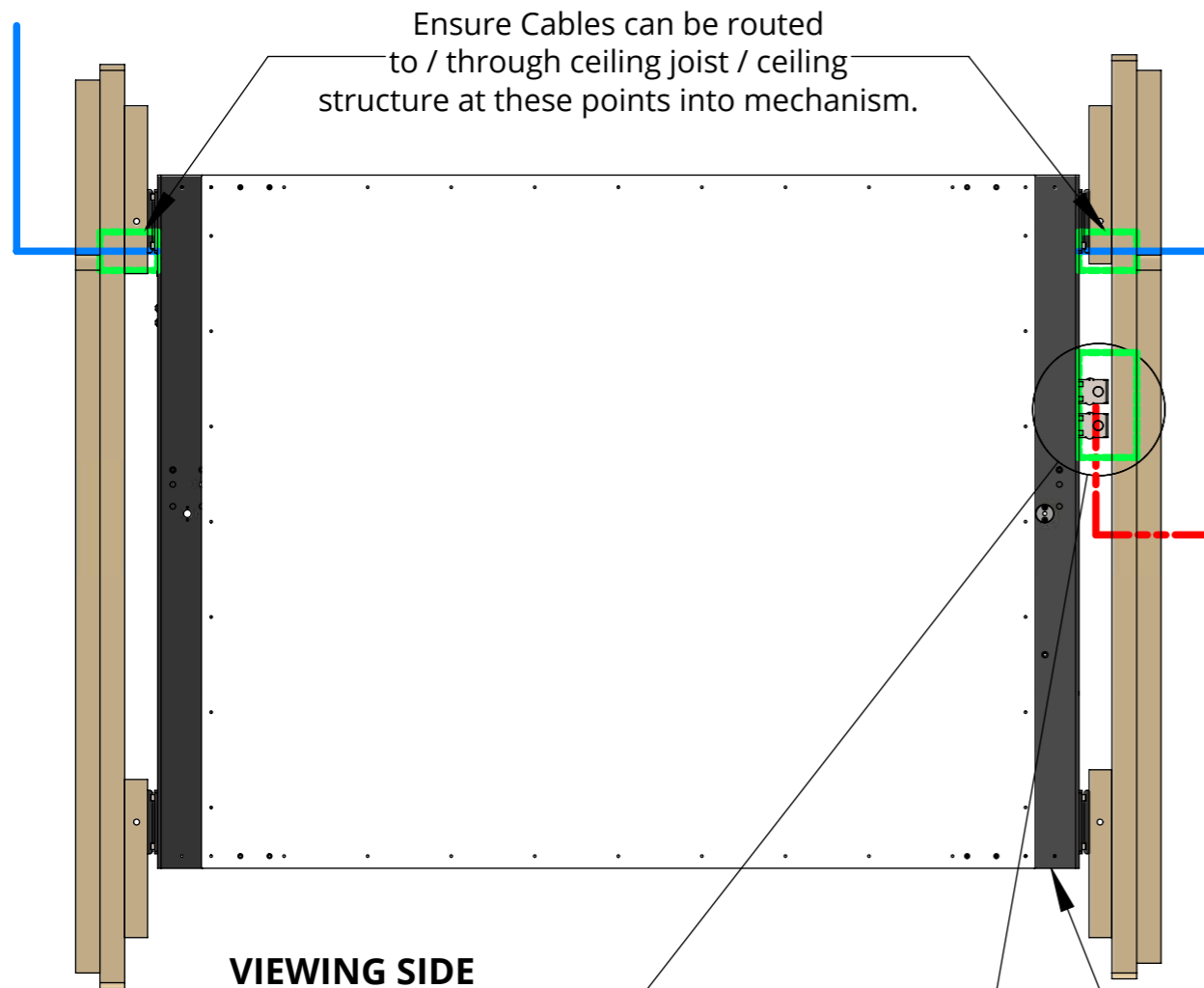
CHRT6-RES

RESIDENTIAL CEILING HINGE RANGE WITH TELESCOPE

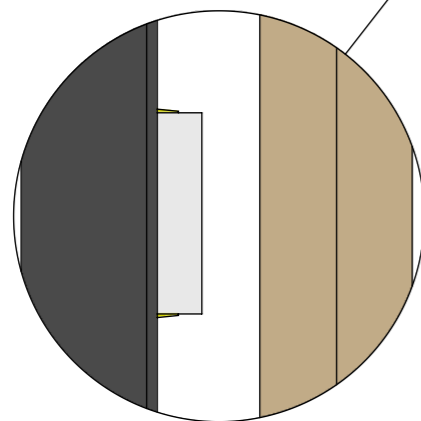


future automation

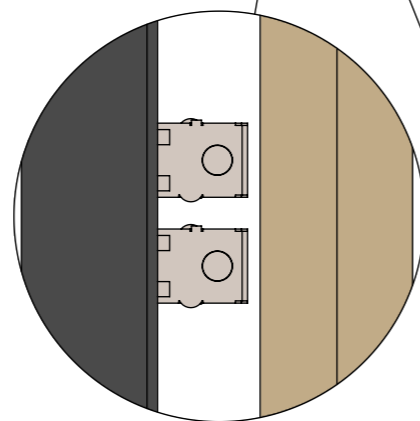
CEILING PREPARATION



VIEWING SIDE



UK 2G Mains Plasterboard Back Box



2 No. US J-Box

— AV Signal Cables / Mechanism Control Cables

- - - Power Cable for Mechanism and AV

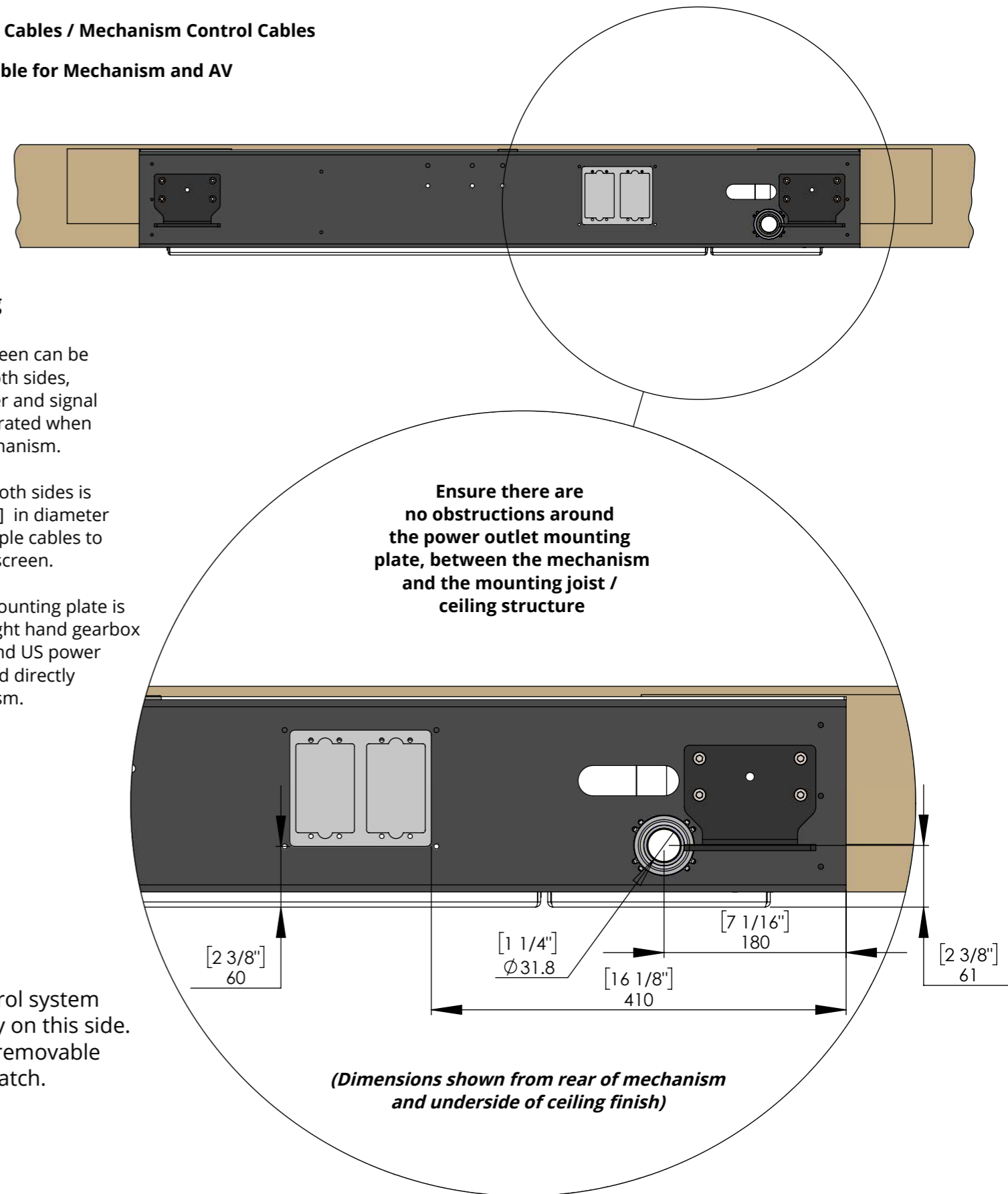
Cable Routing

Cables for the screen can be routed in from both sides, allowing for power and signal cables to be separated when entering the mechanism.

The opening on both sides is MIN. 32mm [1.3"] in diameter allowing for multiple cables to be routed to the screen.

A power outlet mounting plate is supplied in the right hand gearbox allowing for UK and US power outlets to be wired directly into the mechanism.

Mechanism control system housed internally on this side. Accessible from removable internal access hatch.



(Dimensions shown from rear of mechanism and underside of ceiling finish)

TECHNICAL SHEET

ISSUE 007
SHEET 8