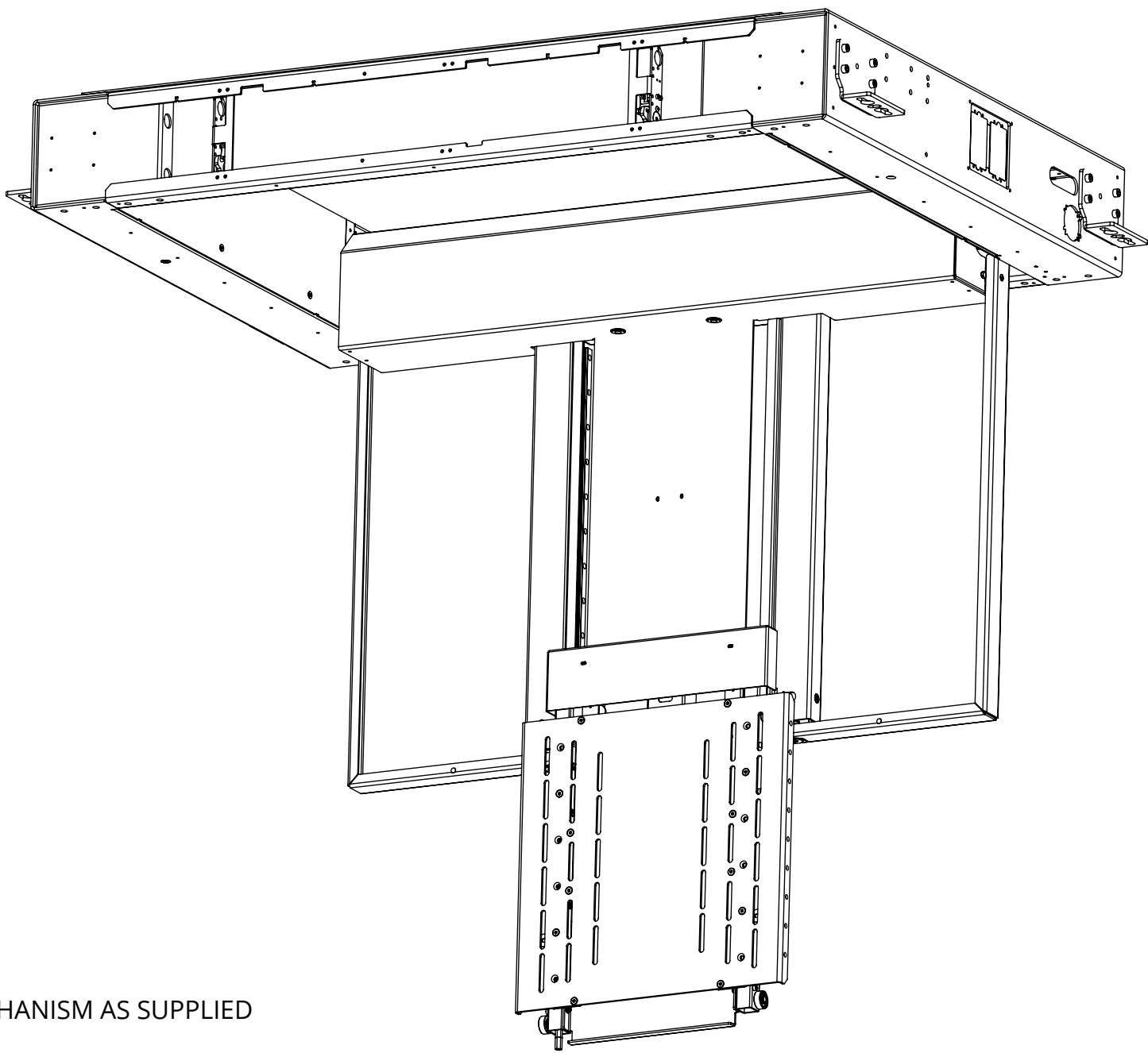
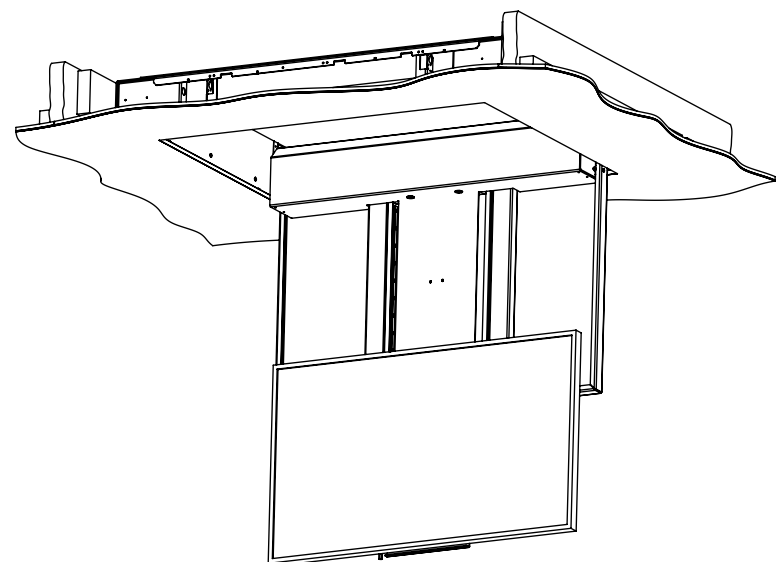
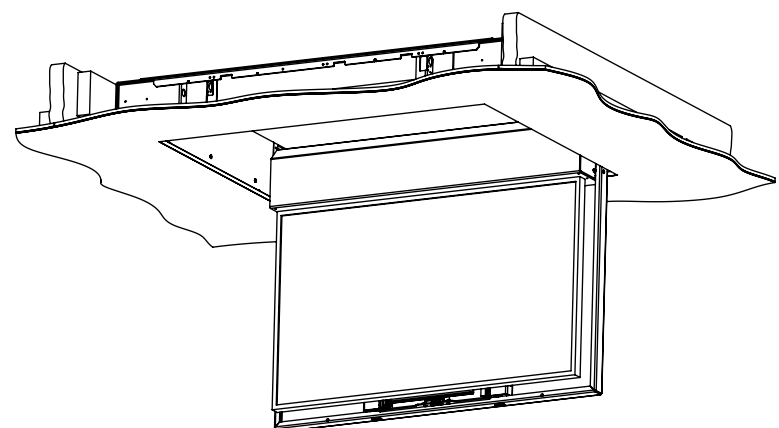
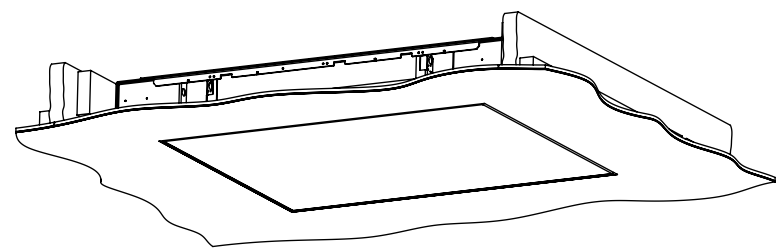


CHRT4-RES

RESIDENTIAL CEILING HINGE RANGE WITH TELESCOPE



MECHANISM AS SUPPLIED



CHRT4-RES

RESIDENTIAL CEILING HINGE RANGE WITH TELESCOPE



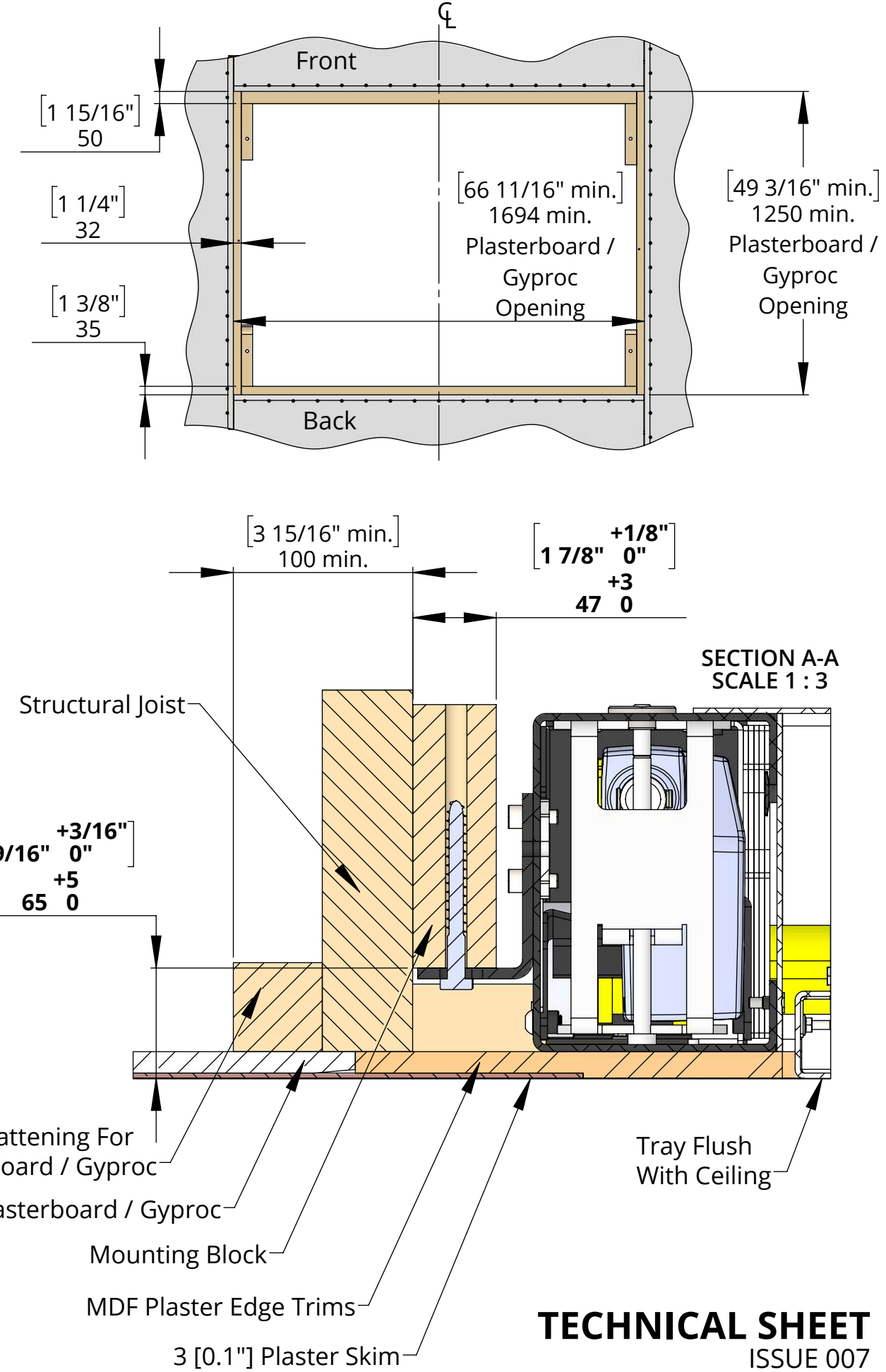
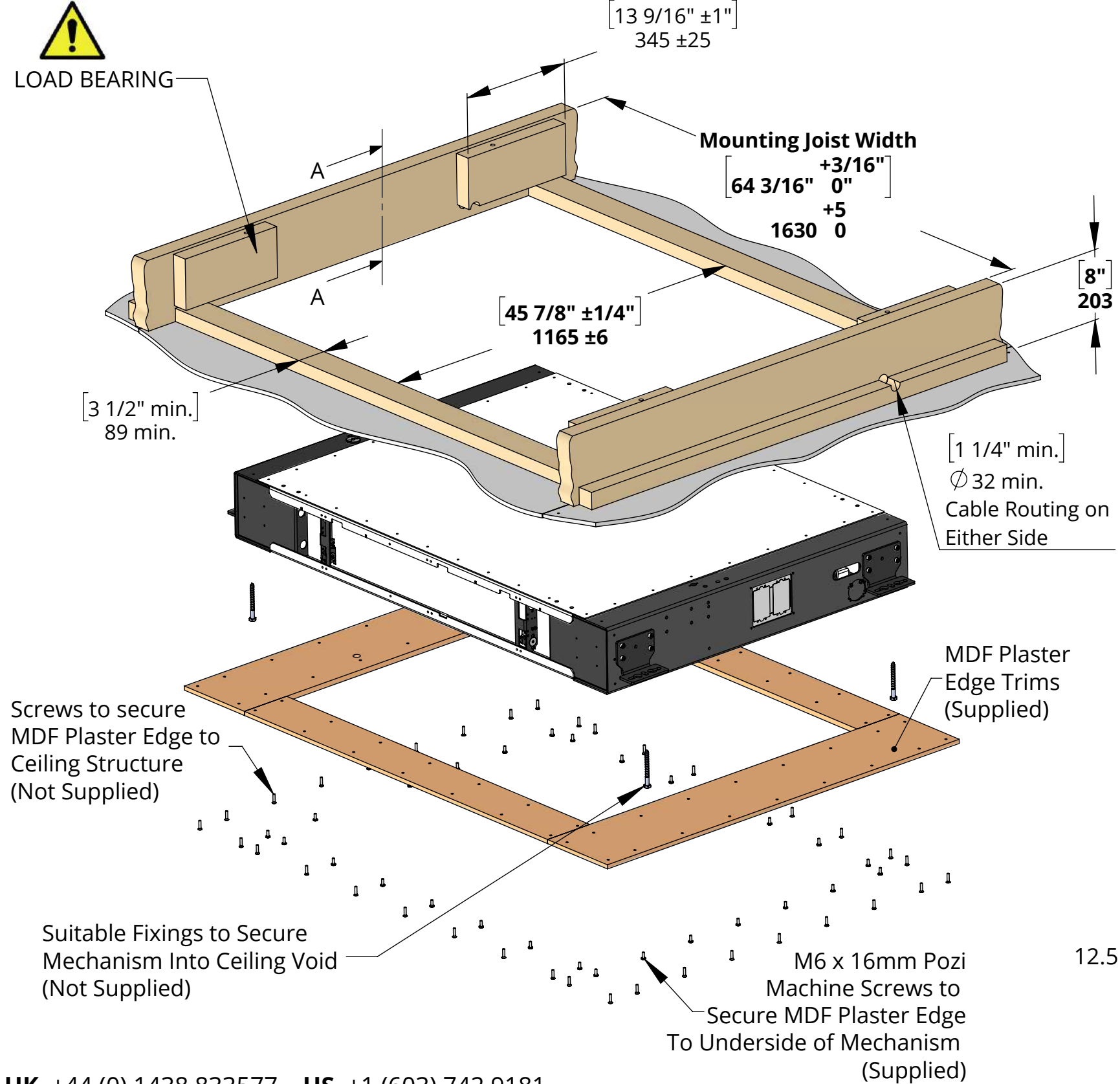
future automation

SPECIFICATION	MEASUREMENTS
Product Dimensions	1624mm [63 15/16"] W x 1065mm [41 15/16"] L x 210mm [8 4/16"] D
Product Weight	120Kg [265lb]
Maximum Screen Size	1130mm [44 8/16"] W x 680mm [26 12/16"] L x 100mm [3 15/16"] D
Maximum Weight Capacity	60Kg [132lb] Max. <i>*Assuming Screen Weight Biased Low (3/4 Screen Height)</i>
Packaging Dimensions	1660mm [65 6/16"] W x 1240mm [48 13/16"] L x 440mm [17 5/16"] D
Shipping Weight	182Kg [401lb]
Maximum Rotation	90° Hinge
Movement Type	Motorised
Control System	Housed Internally - Accessible by Internal Access Hatch
Power Supply Required	110V - 240V AC 50/60Hz
Power Consumption Max.	720W
Power Consumption Standby	3W
Mounting Patterns Supported	VESA 400, 300, 200 W x 400, 300, 200 H
Control Options	IR Remote, RS232, Contact Closure
Product Options / Features	Specific B&O and Loewe mounts / adapters, Custom RAL paint finishes, Marine suitable version
Package Contents	Mechanism, IR remote control
Environment	Residential / Commercial
Colour	WHITE - RAL9910 Satin Finish
Marine Suitable	No - Marine Indoor and Outdoor Versions Available

CHRT4-RES

RESIDENTIAL CEILING HINGE RANGE WITH TELESCOPE

OPTION 1 - FIXING TO WOODEN BEAMS





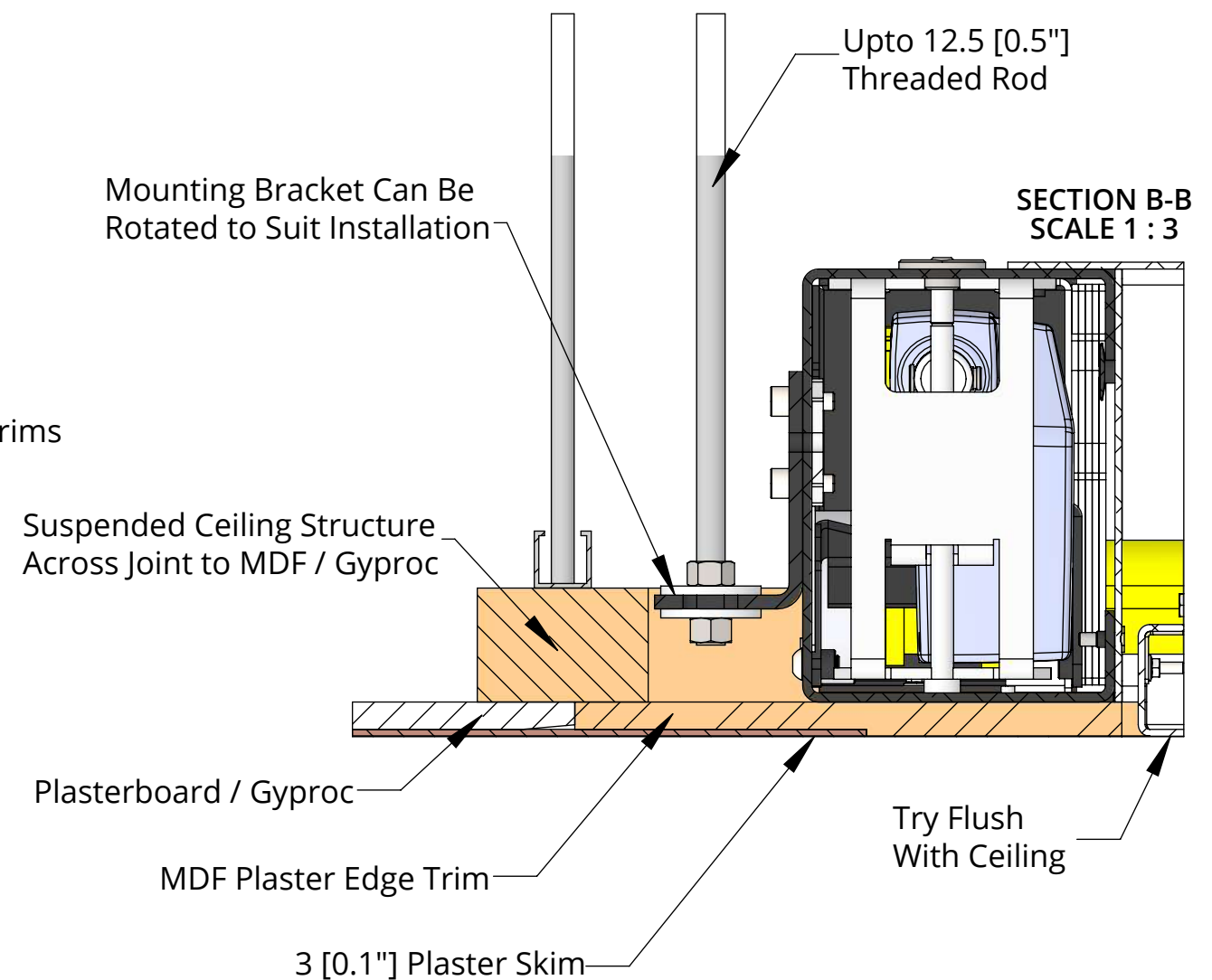
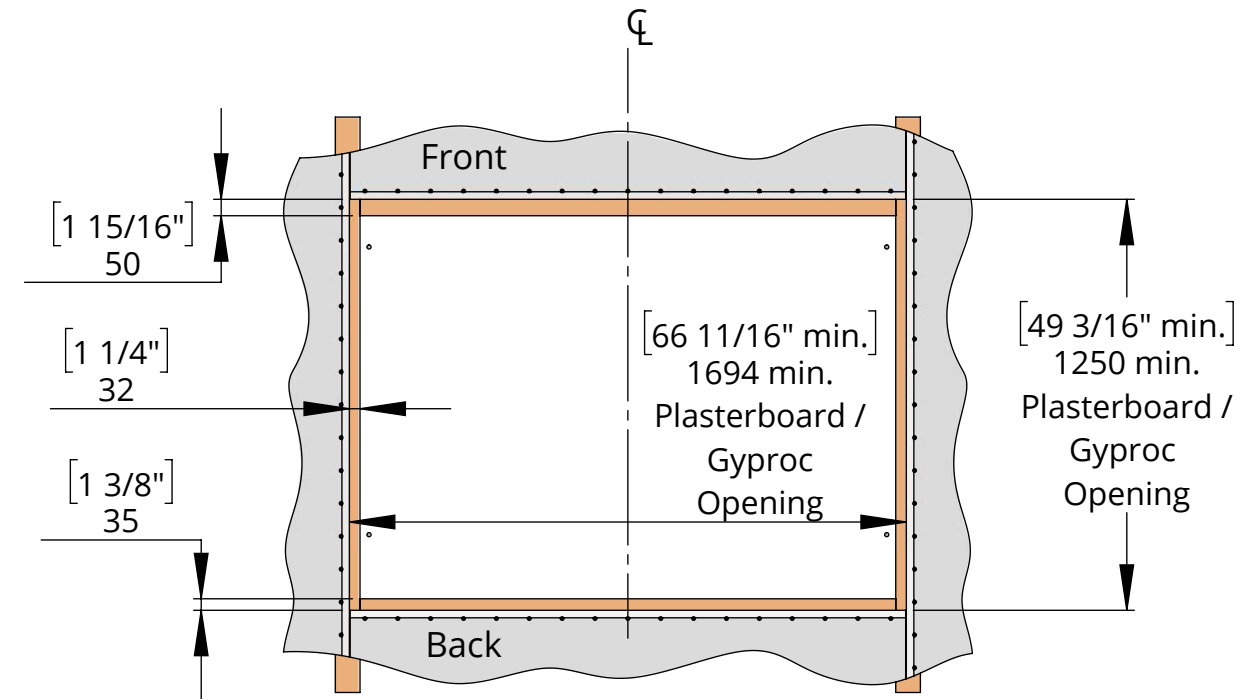
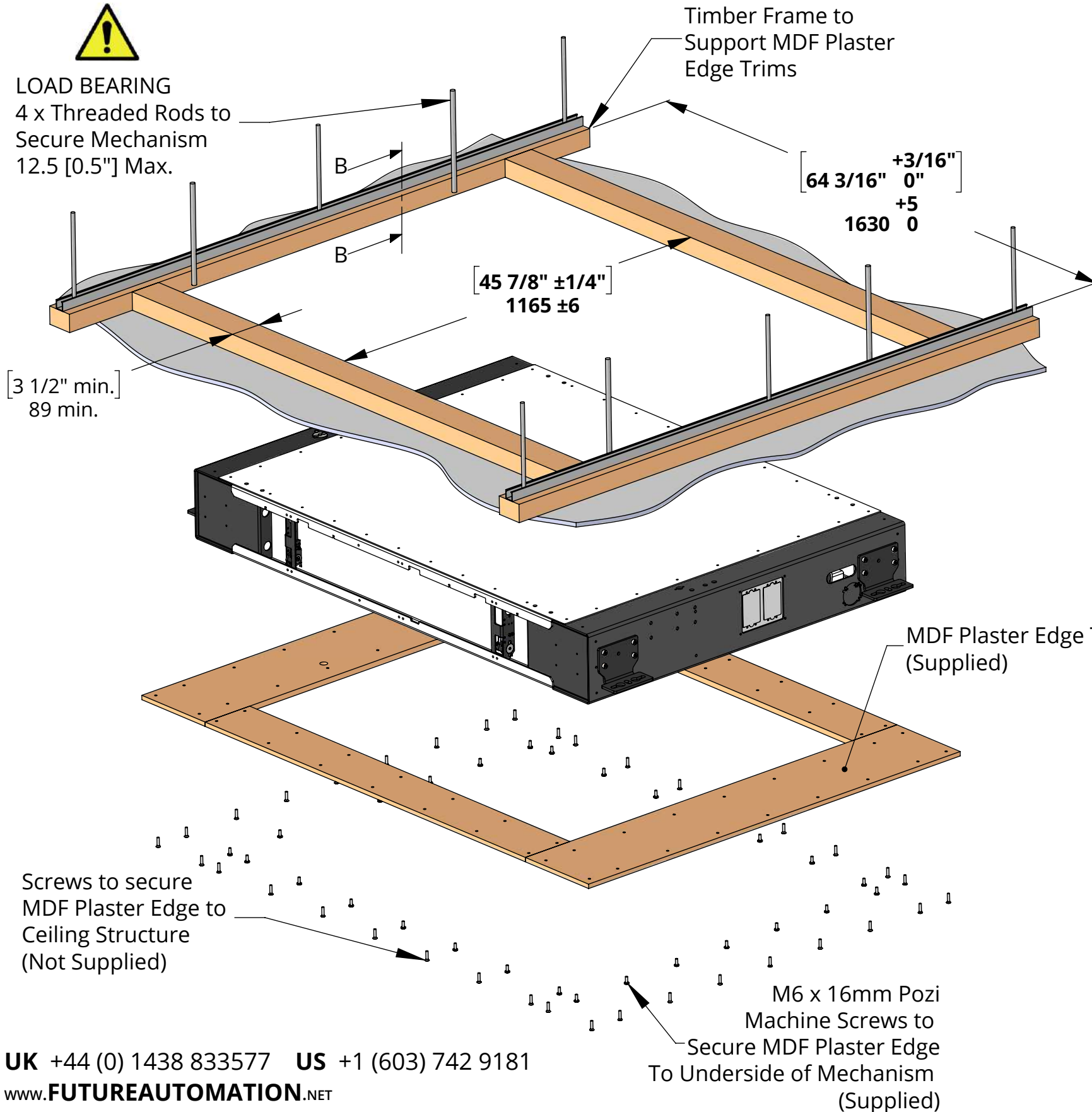
CHRT4-RES RESIDENTIAL CEILING HINGE RANGE WITH TELESCOPE

OPTION 2 - FIXING INTO SUSPENDED CEILING



LOAD BEARING
4 x Threaded Rods to
Secure Mechanism
12.5 [0.5"] Max.

Timber Frame to
Support MDF Plaster
Edge Trims



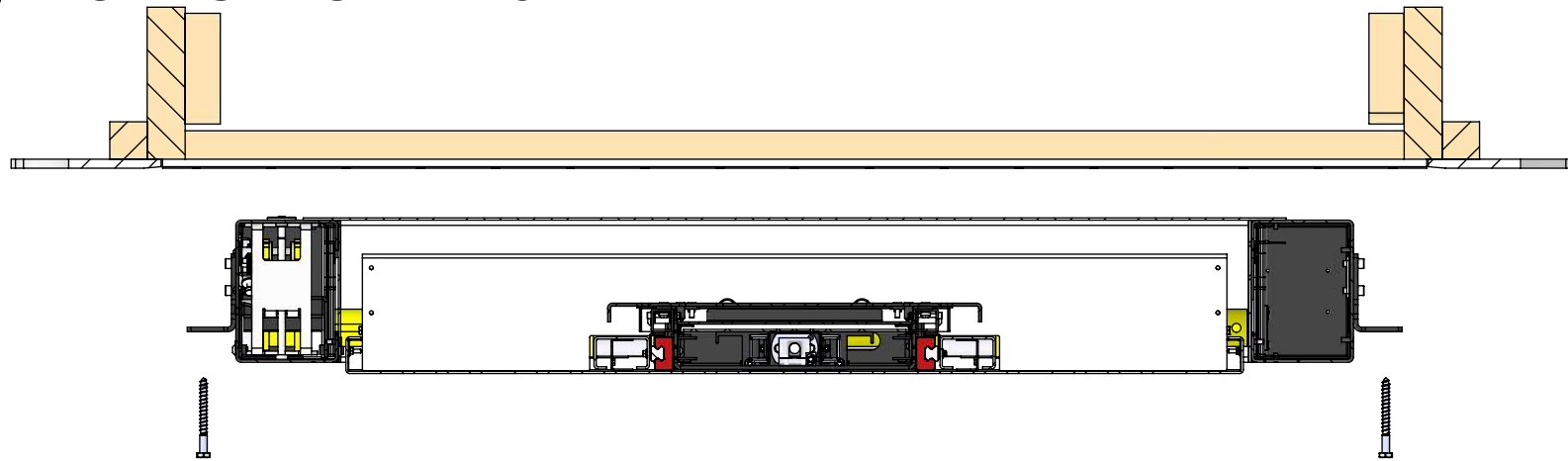
CHRT4-RES

RESIDENTIAL CEILING HINGE RANGE WITH TELESCOPE

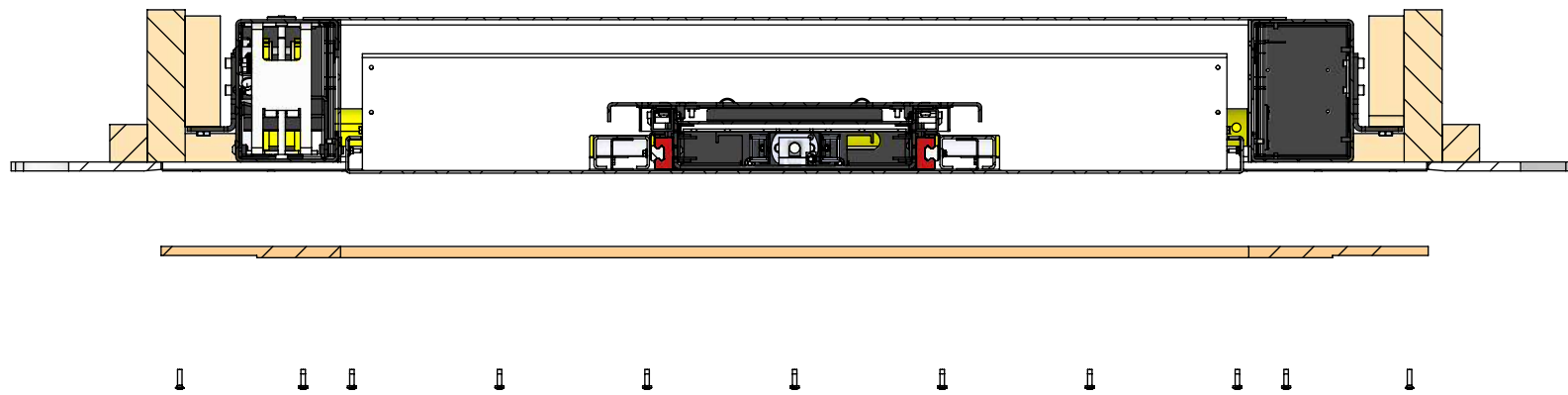
INSTALLATION PRECEDURE

THE INSTALLATION PROCEDURE IS CARRIED OUT IN THE SAME WAY FOR OPTION 1 OR OPTION 2

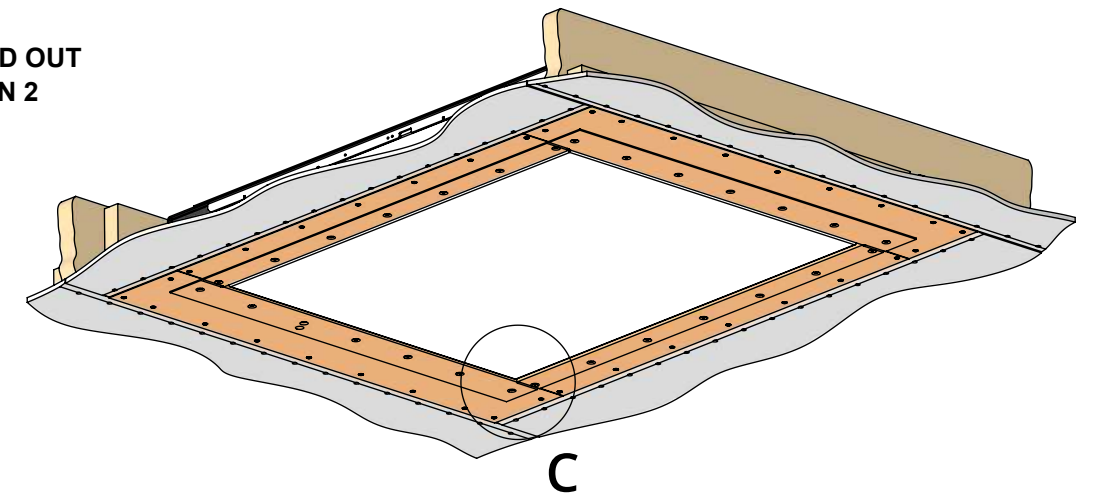
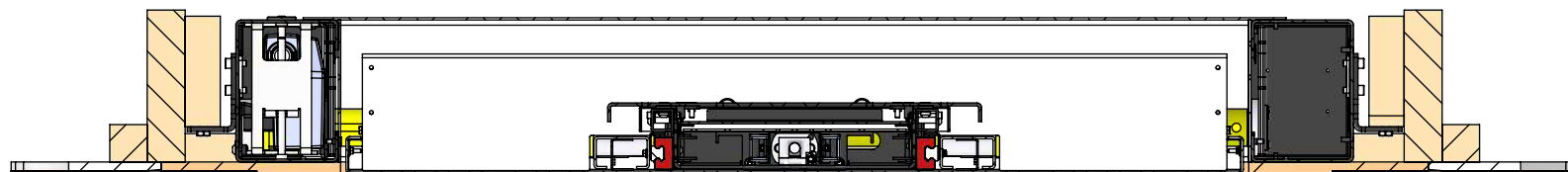
1. MECHANISM INSTALLATION



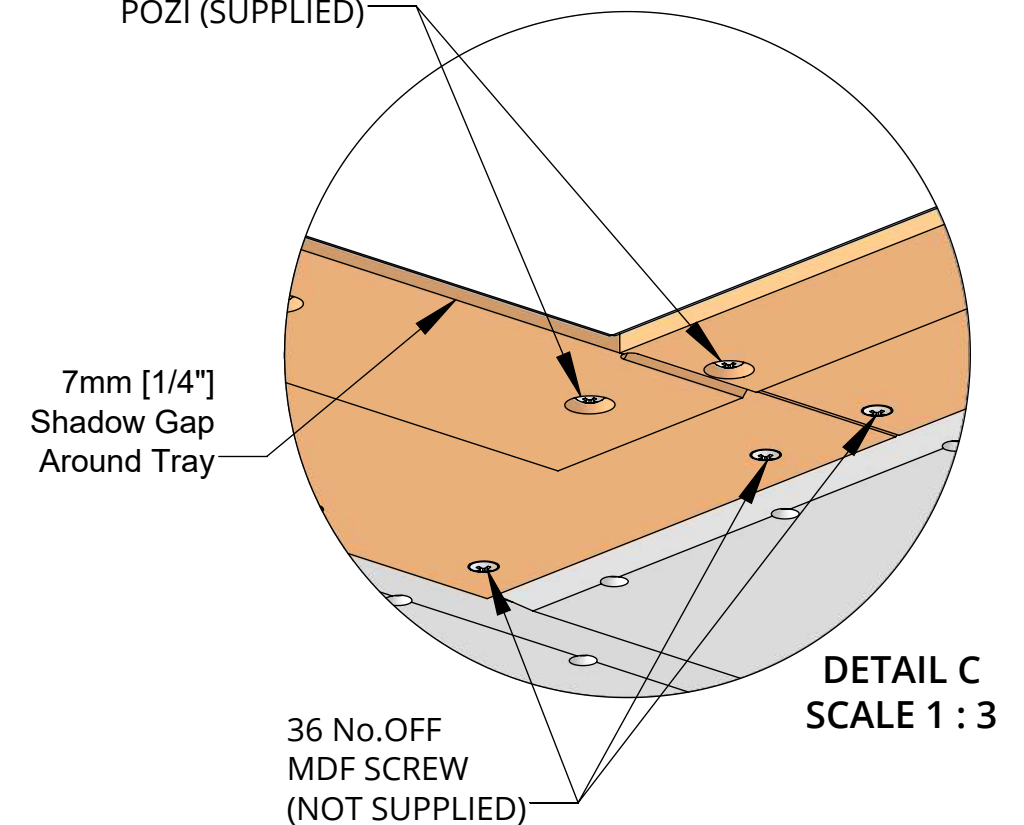
2. MDF PLASTER TRIM INSTALLATION



3. PLASTERING



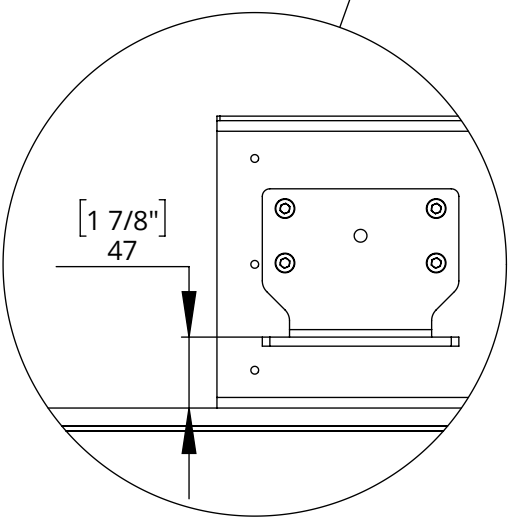
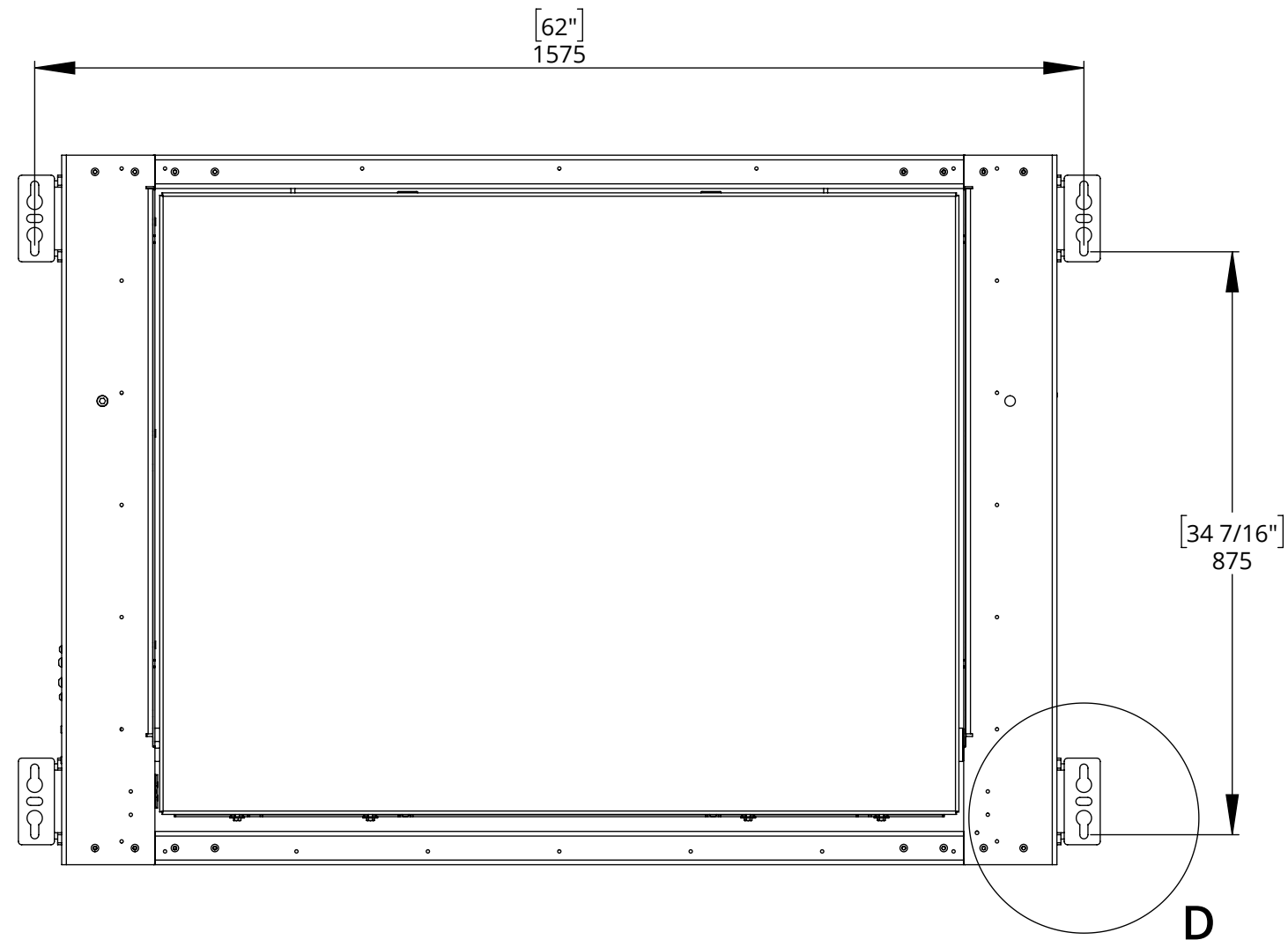
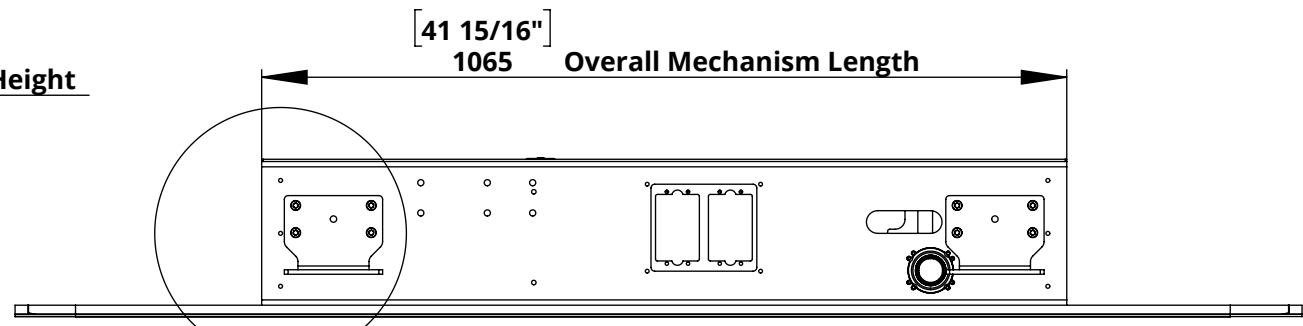
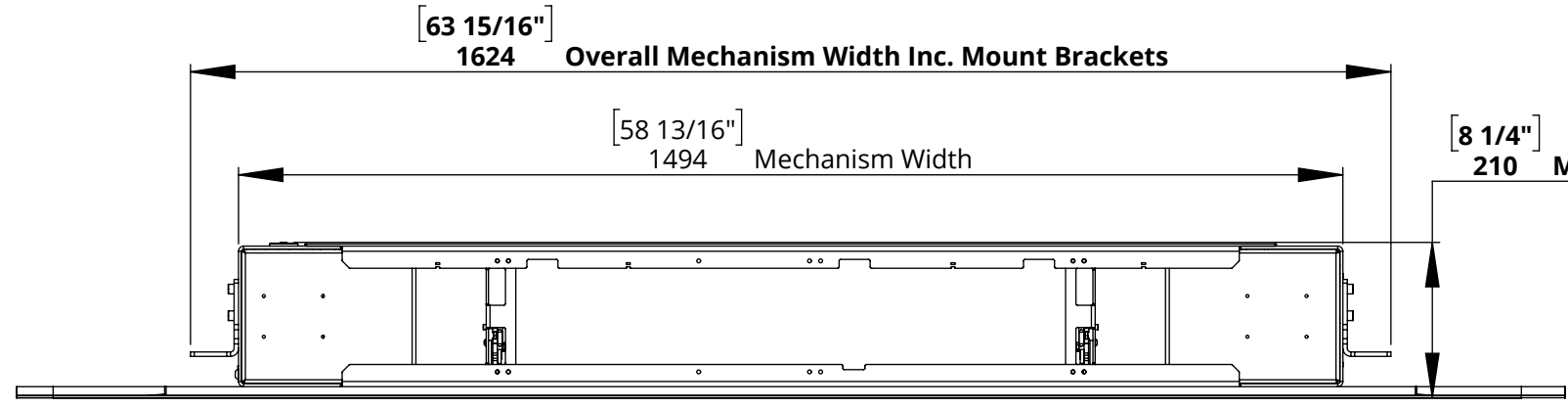
28 No. OFF
SS M6 x 16MM
POZI (SUPPLIED)



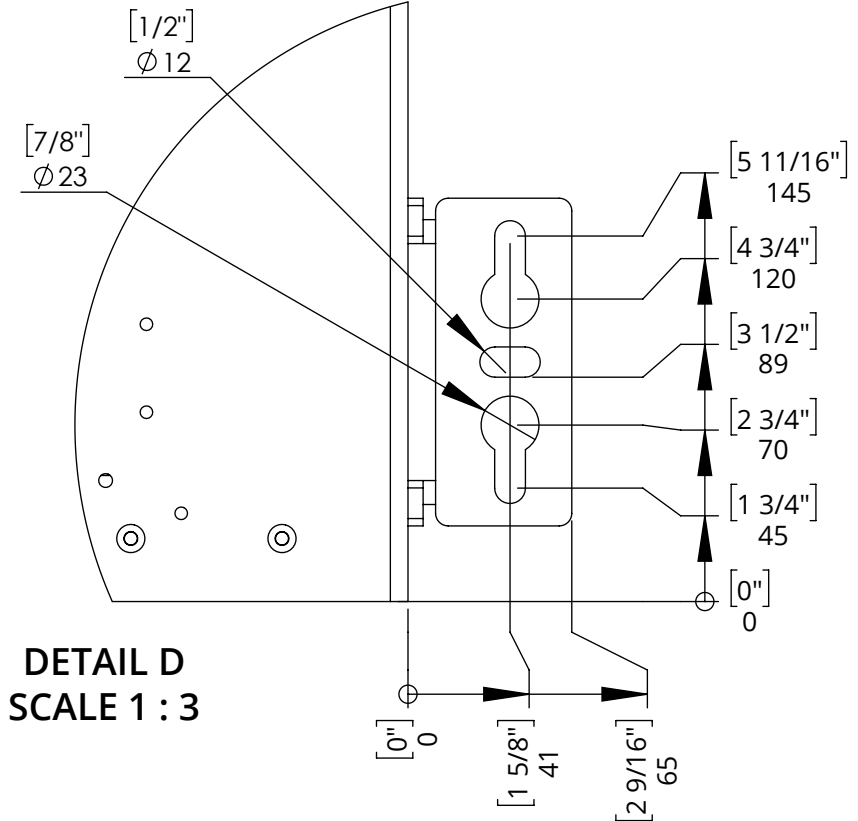
CHRT4-RES

RESIDENTIAL CEILING HINGE RANGE WITH TELESCOPE

MECHANISM DIMENSIONS - CLOSED



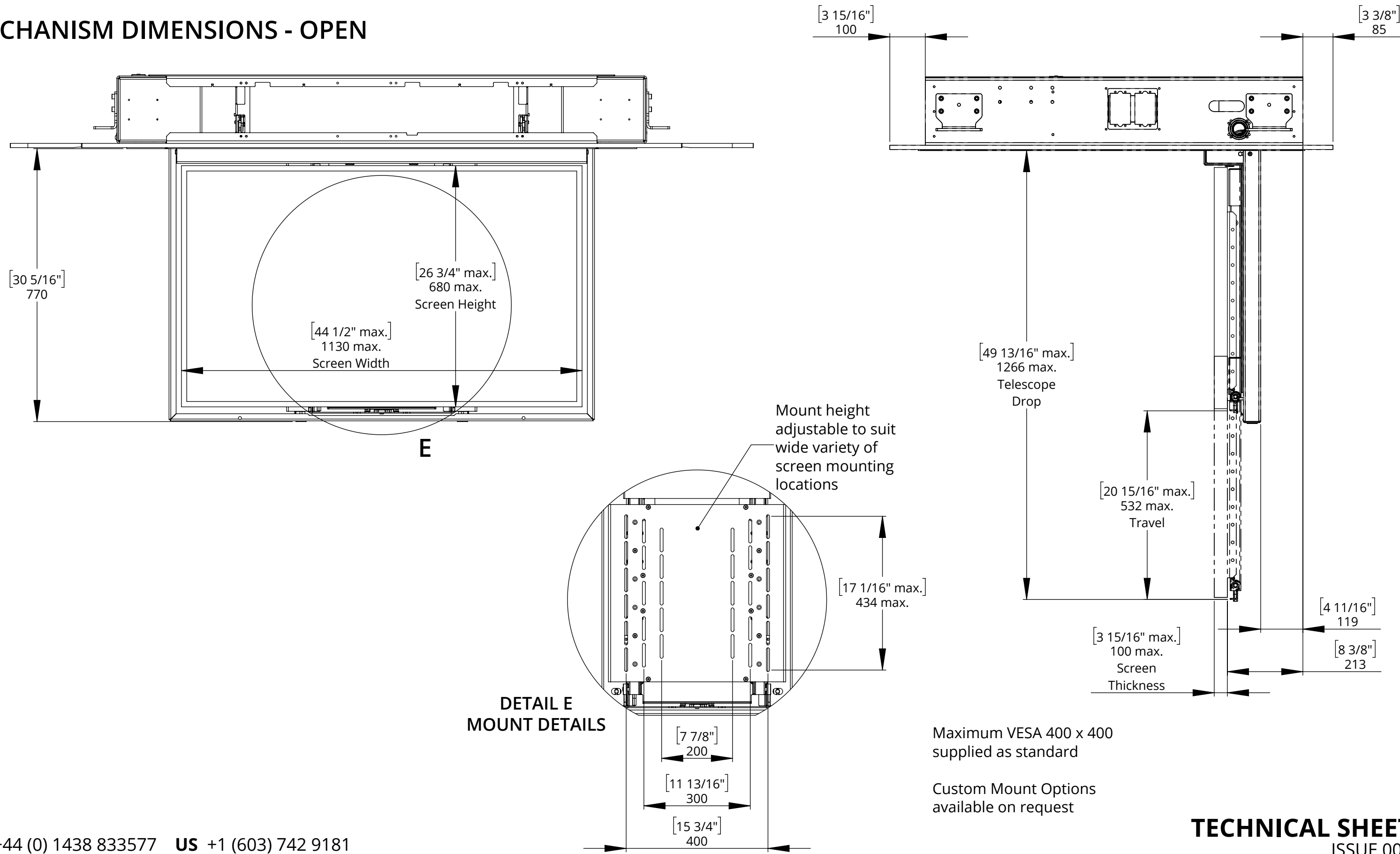
FIXING DETAIL
 Mechanism mounted on M12 [0.5] Studding or fixed to underside of the ceiling joist structure, both using the mounting brackets installed on mechanism as standard



CHRT4-RES

RESIDENTIAL CEILING HINGE RANGE WITH TELESCOPE

MECHANISM DIMENSIONS - OPEN



Maximum VESA 400 x 400 supplied as standard

Custom Mount Options available on request

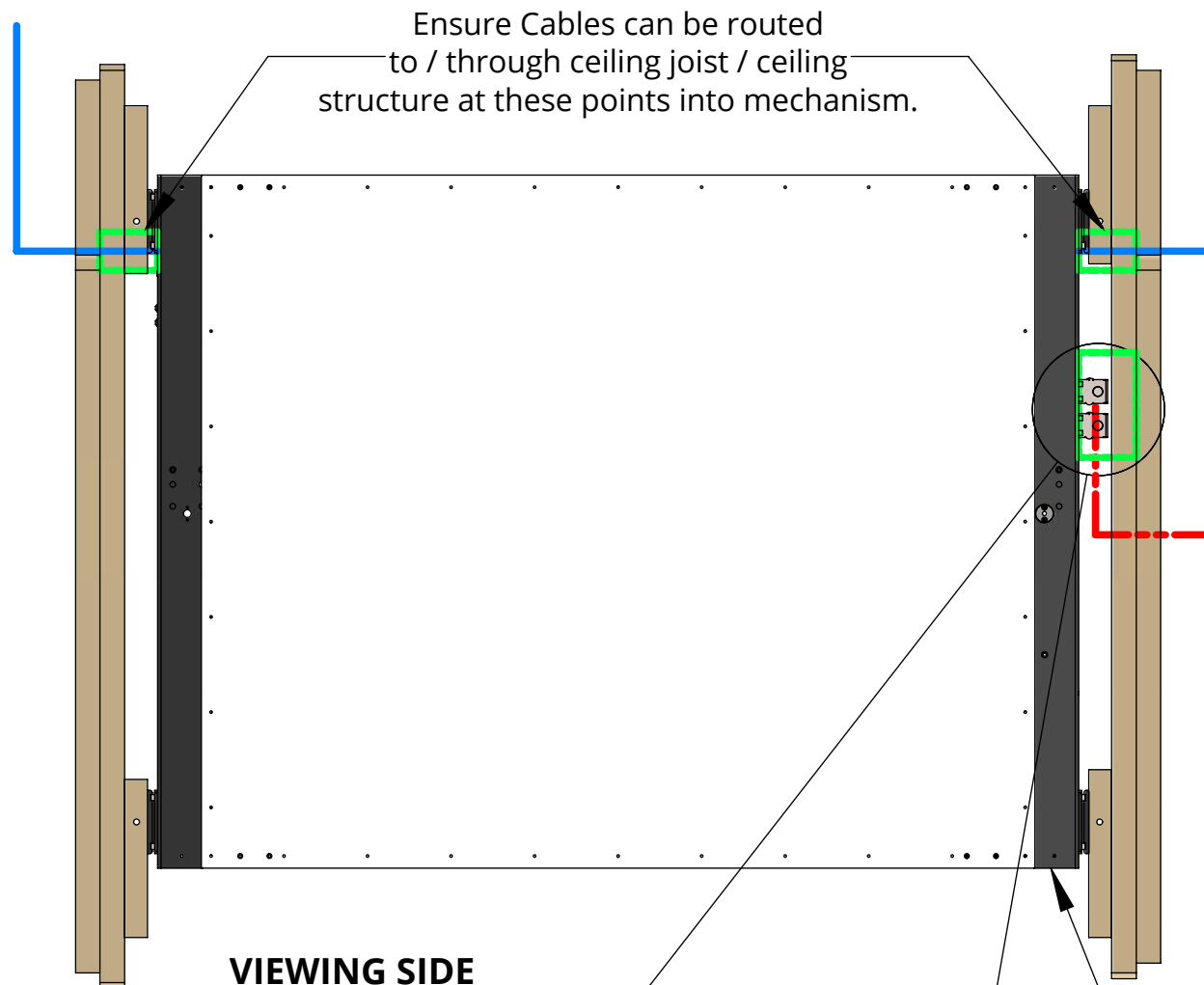
CHRT4-RES

RESIDENTIAL CEILING HINGE RANGE WITH TELESCOPE

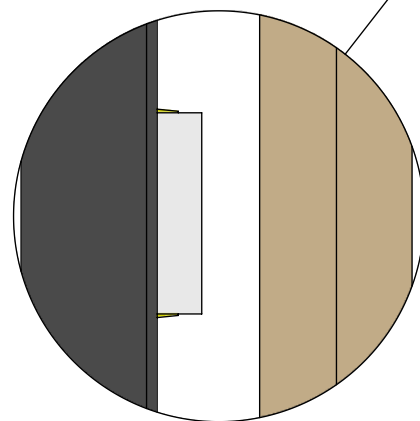


future automation

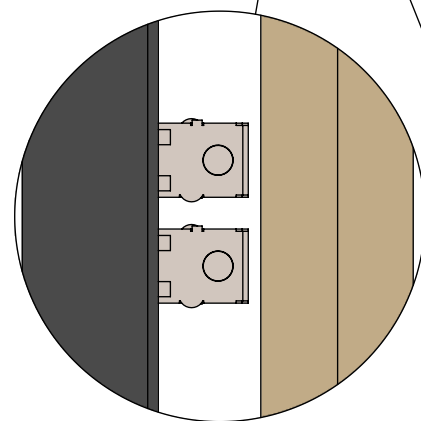
CEILING PREPARATION



VIEWING SIDE



UK 2G Mains Plasterboard Back Box



2 No. US J-Box

— AV Signal Cables / Mechanism Control Cables

- - - Power Cable for Mechanism and AV

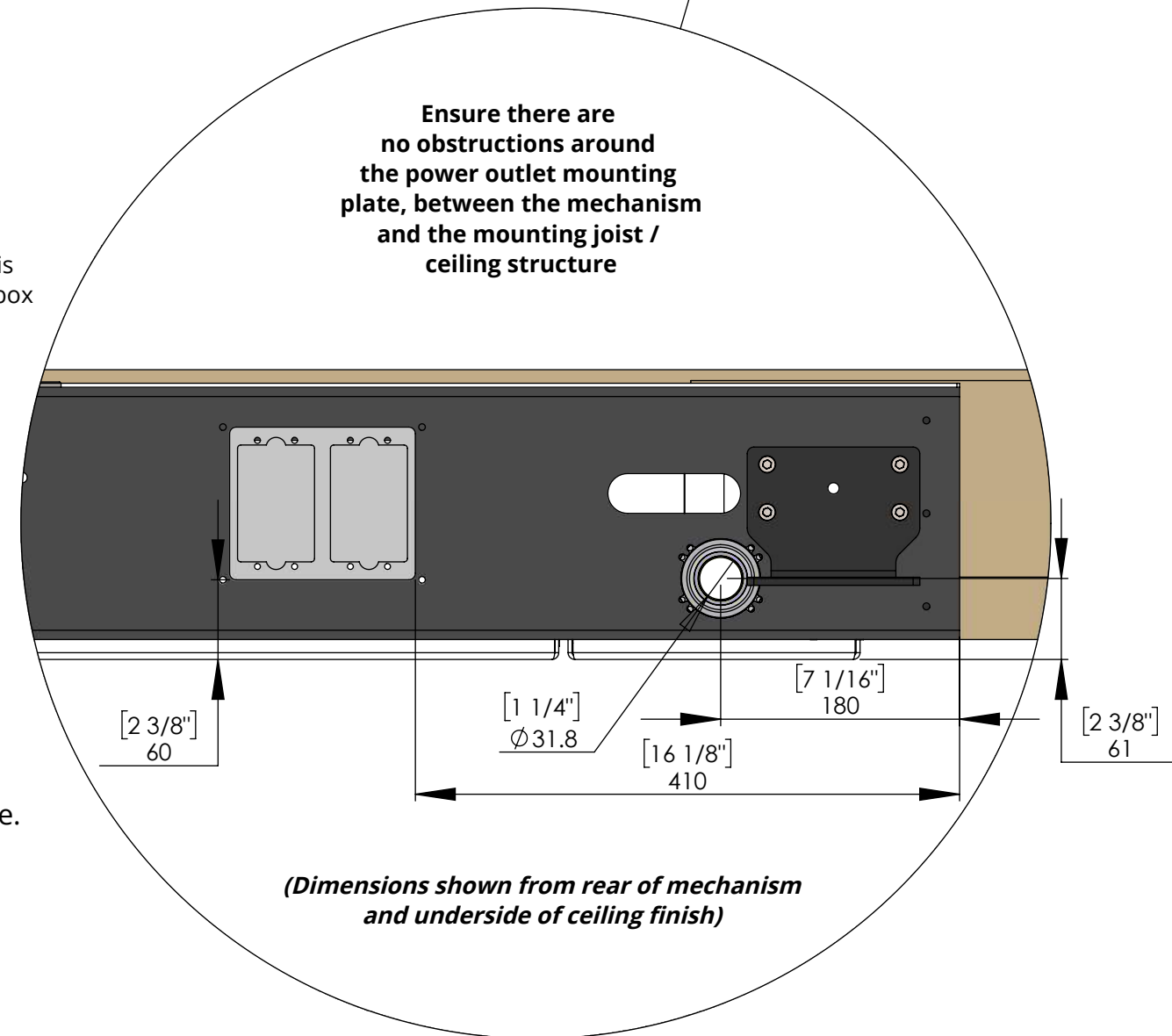
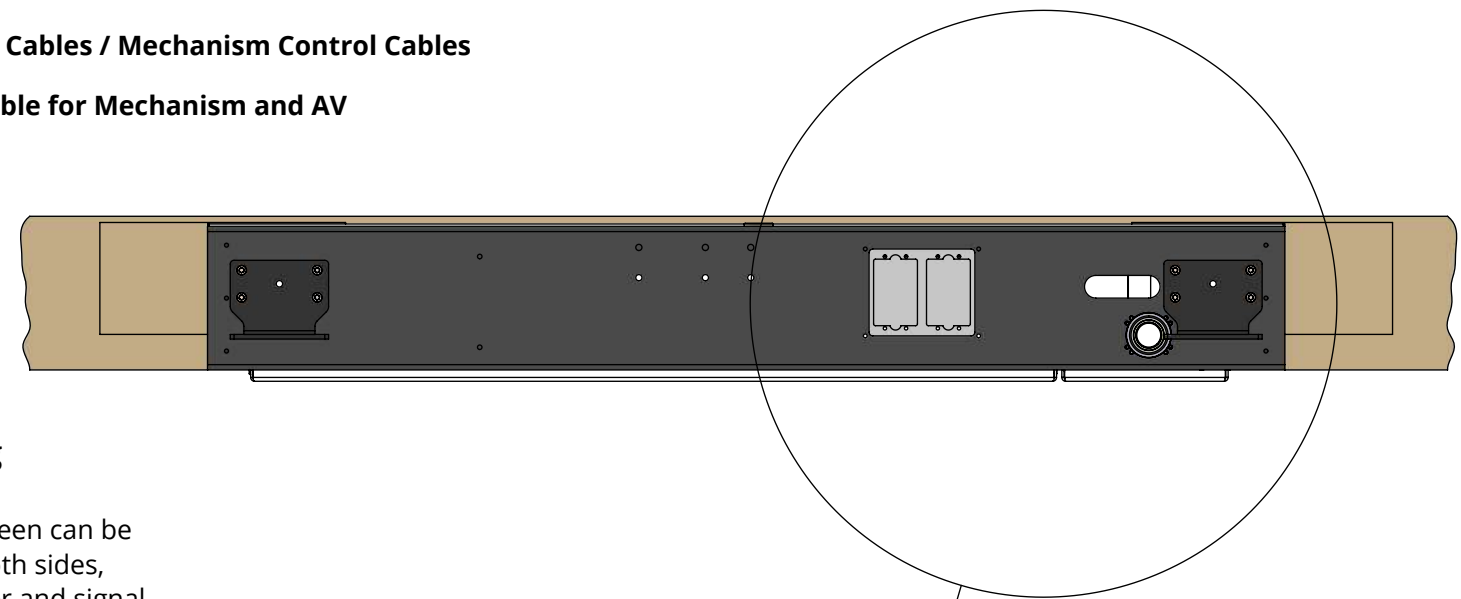
Cable Routing

Cables for the screen can be routed in from both sides, allowing for power and signal cables to be separated when entering the mechanism.

The opening on both sides is MIN. 32mm [1.3"] in diameter allowing for multiple cables to be routed to the screen.

A power outlet mounting plate is supplied in the right hand gearbox allowing for UK and US power outlets to be wired directly into the mechanism.

Mechanism control system housed internally on this side. Accessible from removable internal access hatch.



TECHNICAL SHEET

ISSUE 007
SHEET 8