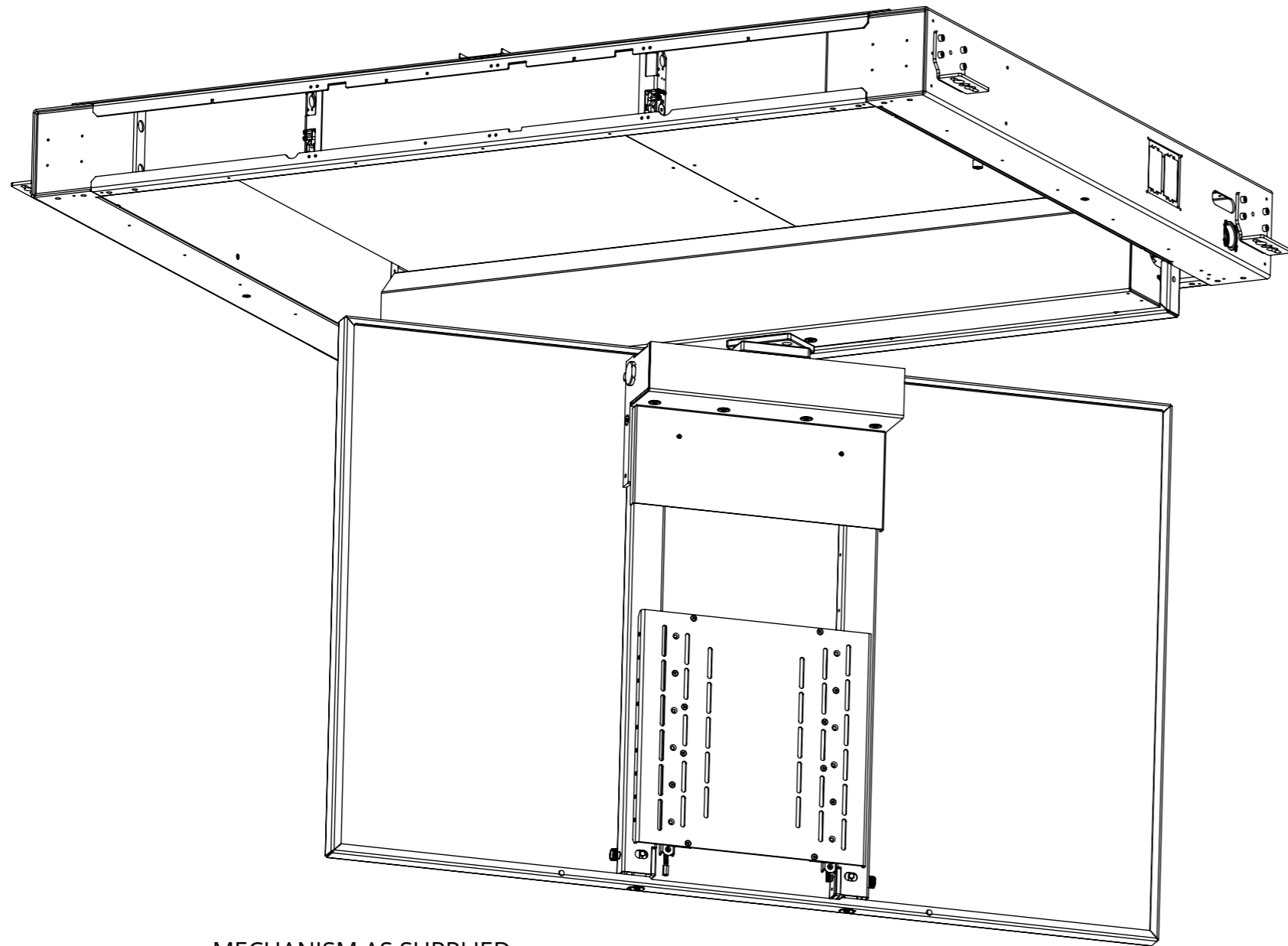
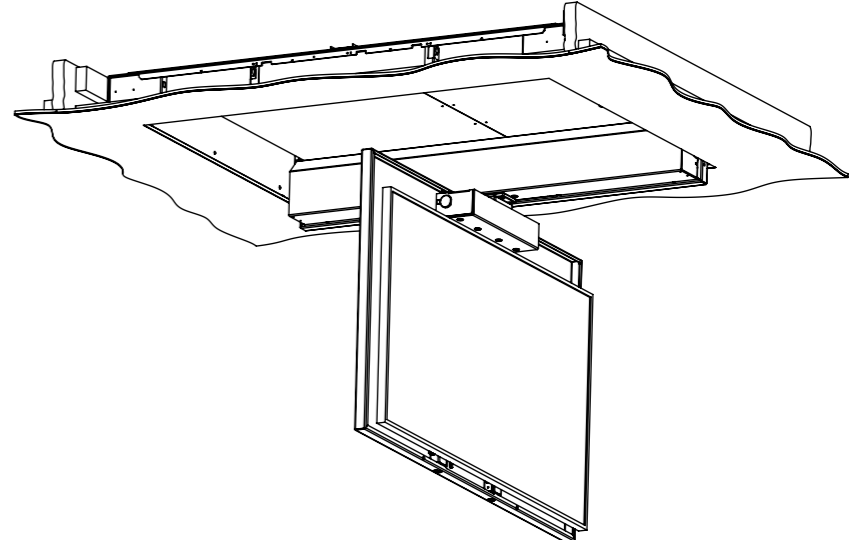
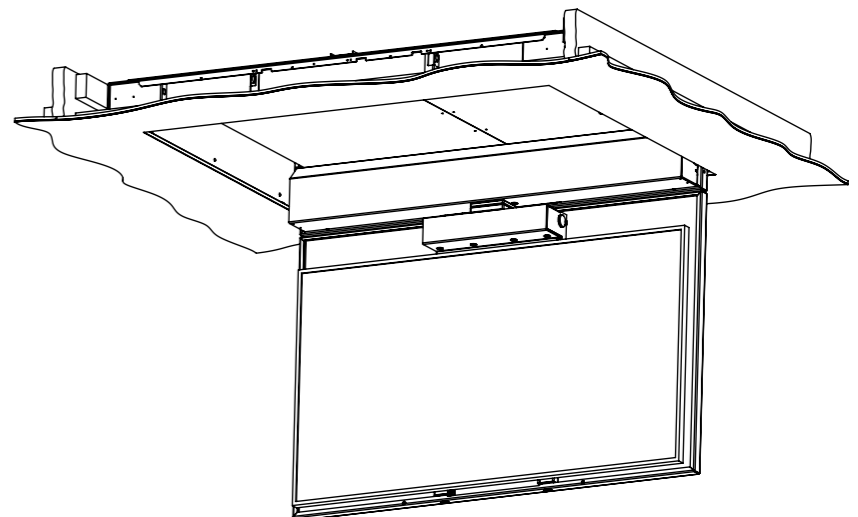
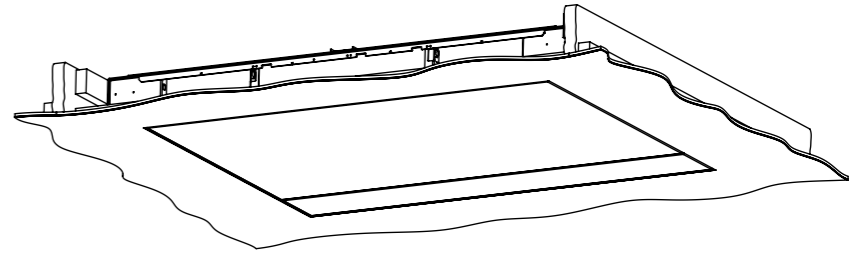


CHRS7-RES

RESIDENTIAL CEILING HINGE RANGE WITH SWIVEL



MECHANISM AS SUPPLIED



CHRS7-RES

RESIDENTIAL CEILING HINGE RANGE WITH SWIVEL



future automation

SPECIFICATION	MEASUREMENTS
Product Dimensions	2224mm [87 9/16"] W x 1545mm [60 13/16"] L x 220mm [8 11/16"] D
Product Weight	205Kg [452lb]
Maximum Screen Size	1730mm [68 2/16"] W x 970mm [38 3/16"] L x 100mm [3 15/16"] D
Maximum Weight Capacity	65Kg [143lb] Max. <i>*Assuming Screen Weight Biased Low (3/4 Screen Height)</i>
Packaging Dimensions	2260mm [89"] W x 1720mm [67 11/16"] L x 440mm [17 5/16"] D
Shipping Weight	325Kg [717lb]
Maximum Rotation	90° on Hinge, 180° CW and CCW on Swivel
Movement Type	Motorised
Control System	Housed Internally - Accessible by Internal Access Hatch
Power Supply Required	110V - 240V AC 50/60Hz
Power Consumption Max.	720W
Power Consumption Standby	3W
Mounting Patterns Supported	VESA 400, 300, 200 W x 400, 300, 200 H
Control Options	IR Remote, RS232, Contact Closure
Product Options / Features	Specific B&O and Loewe mounts / adapters, Custom RAL paint finishes, Marine suitable version
Package Contents	Mechanism, IR remote control
Environment	Residential / Commercial
Colour	WHITE - RAL9910 Satin Finish
Marine Suitable	No - Marine Indoor and Outdoor Versions Available

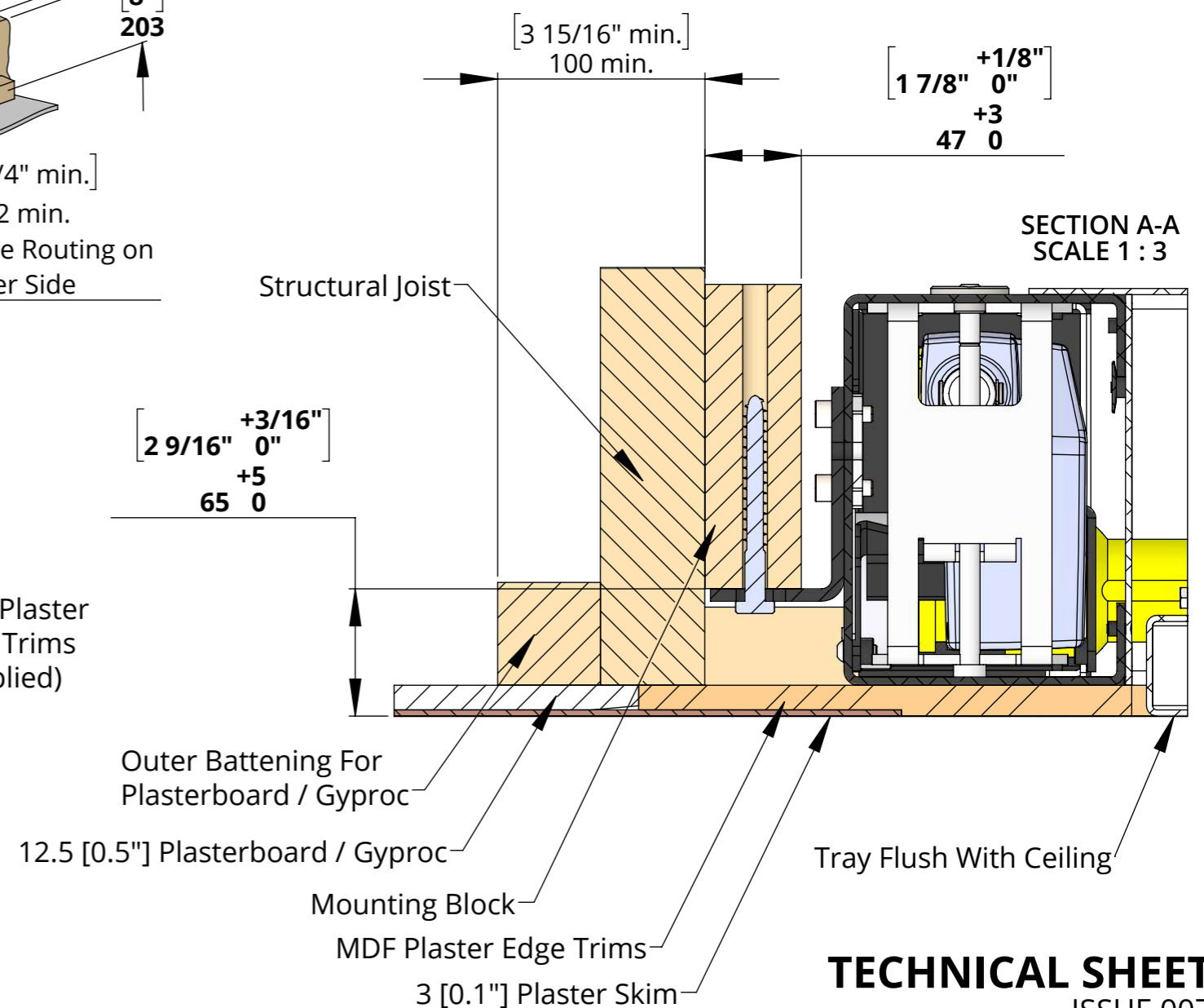
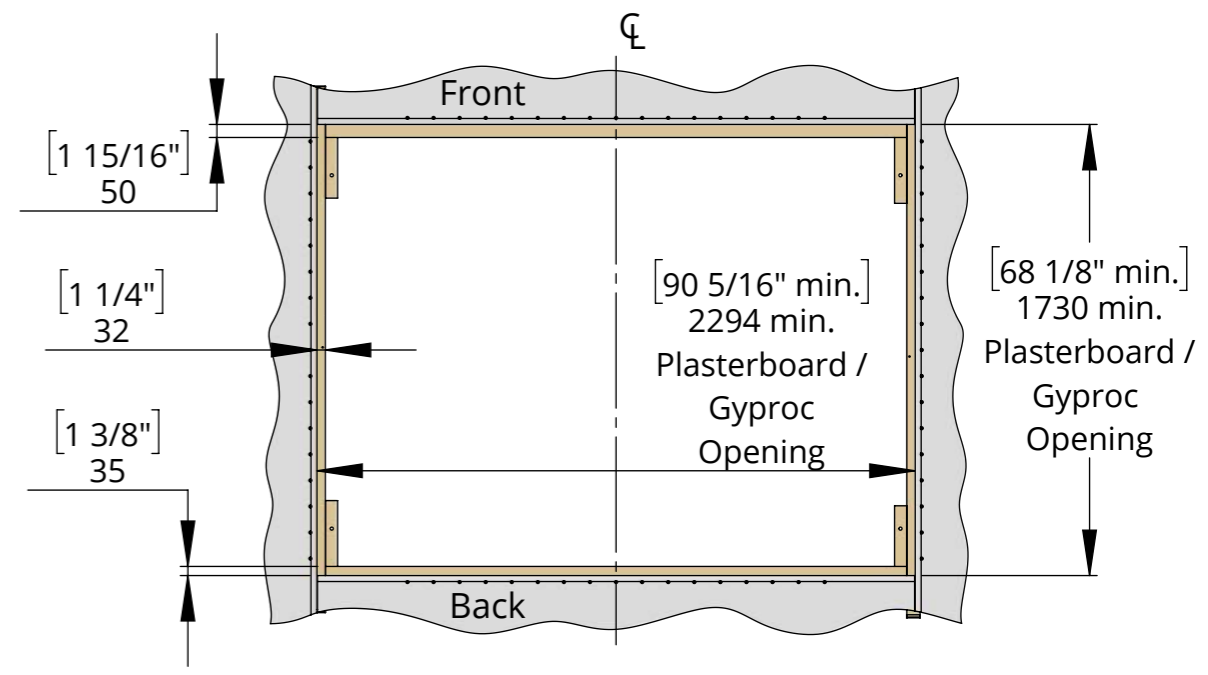
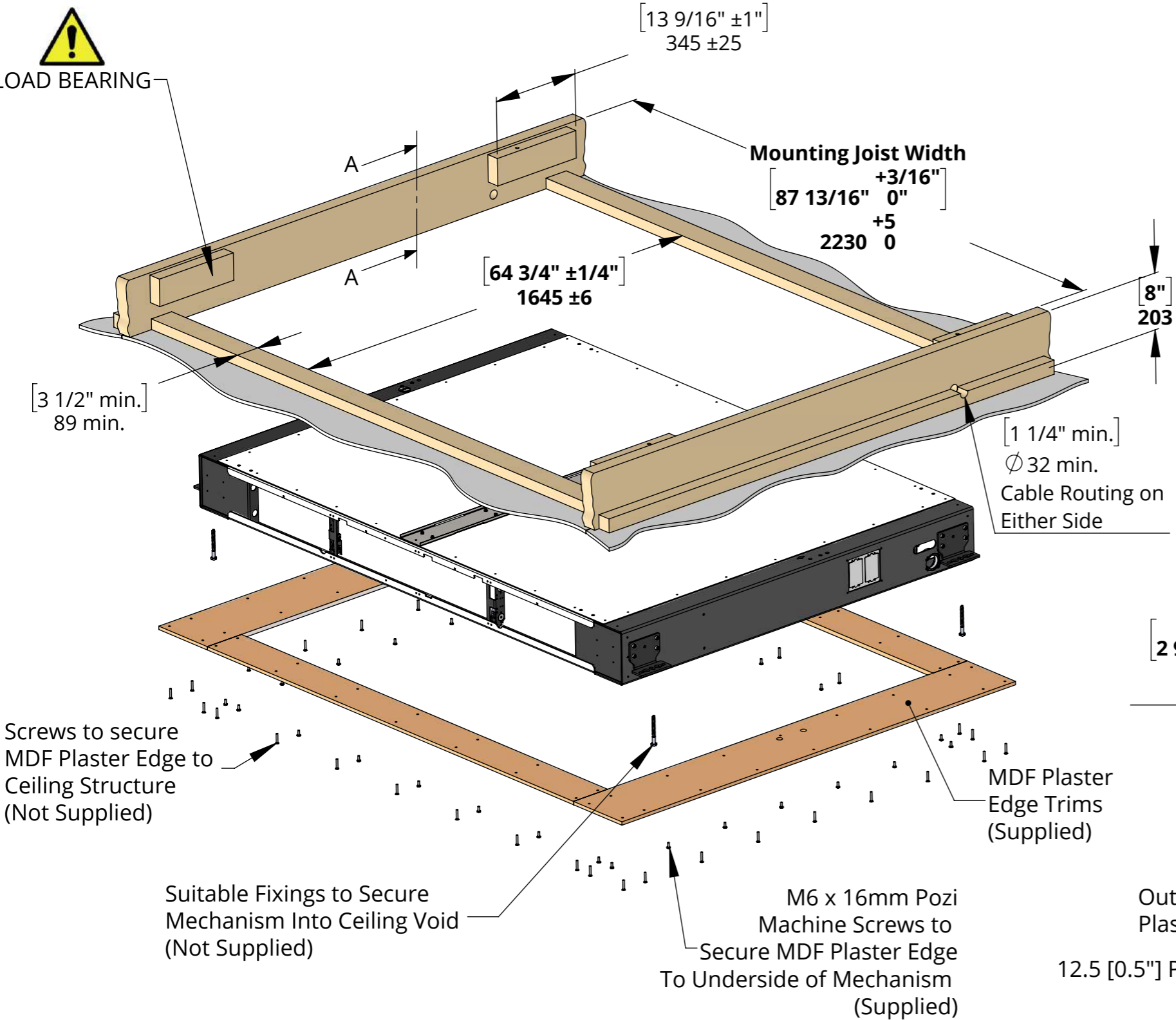
CHRS7-RES

RESIDENTIAL CEILING HINGE RANGE WITH SWIVEL

OPTION 1 - FIXING TO WOODEN BEAMS



LOAD BEARING



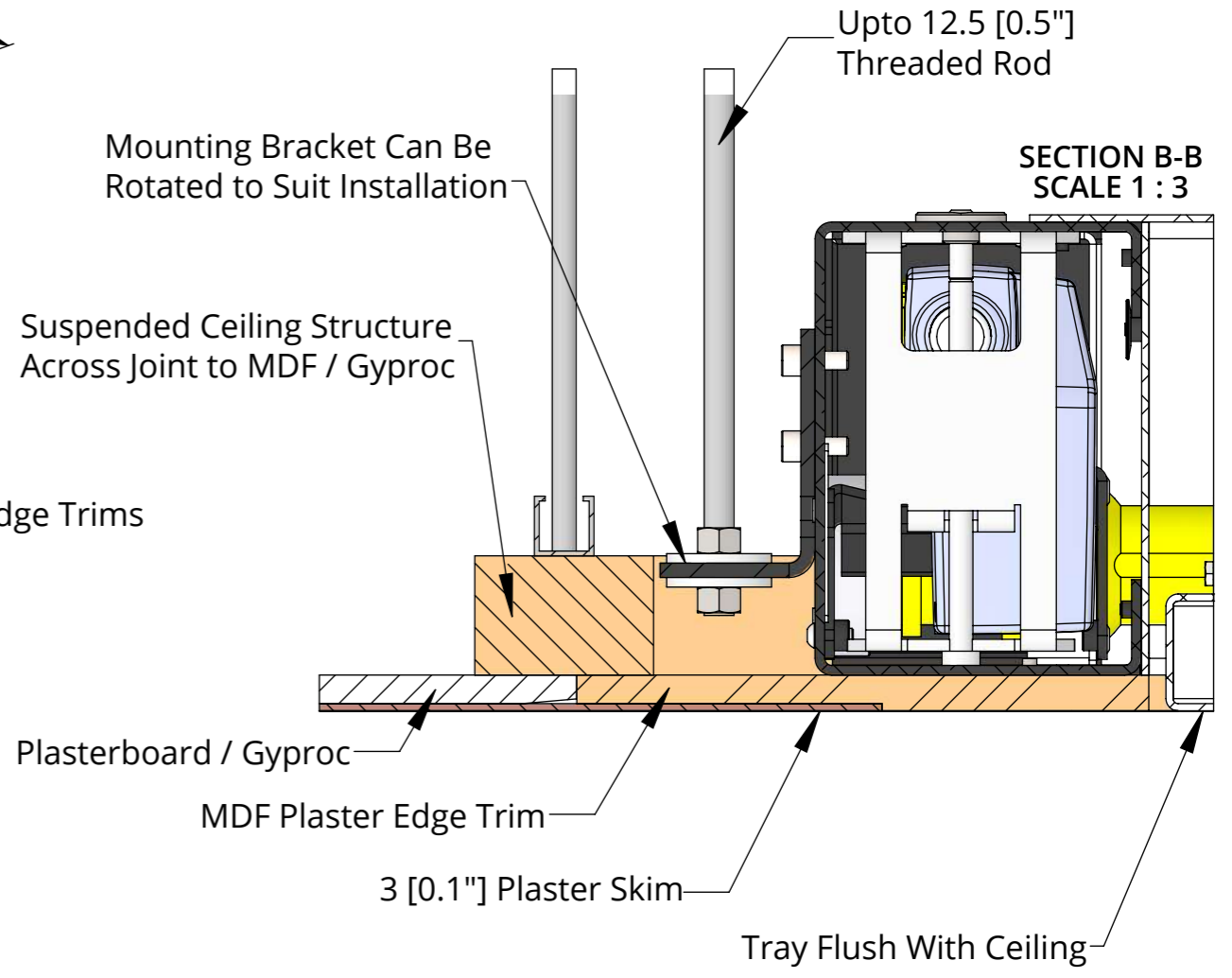
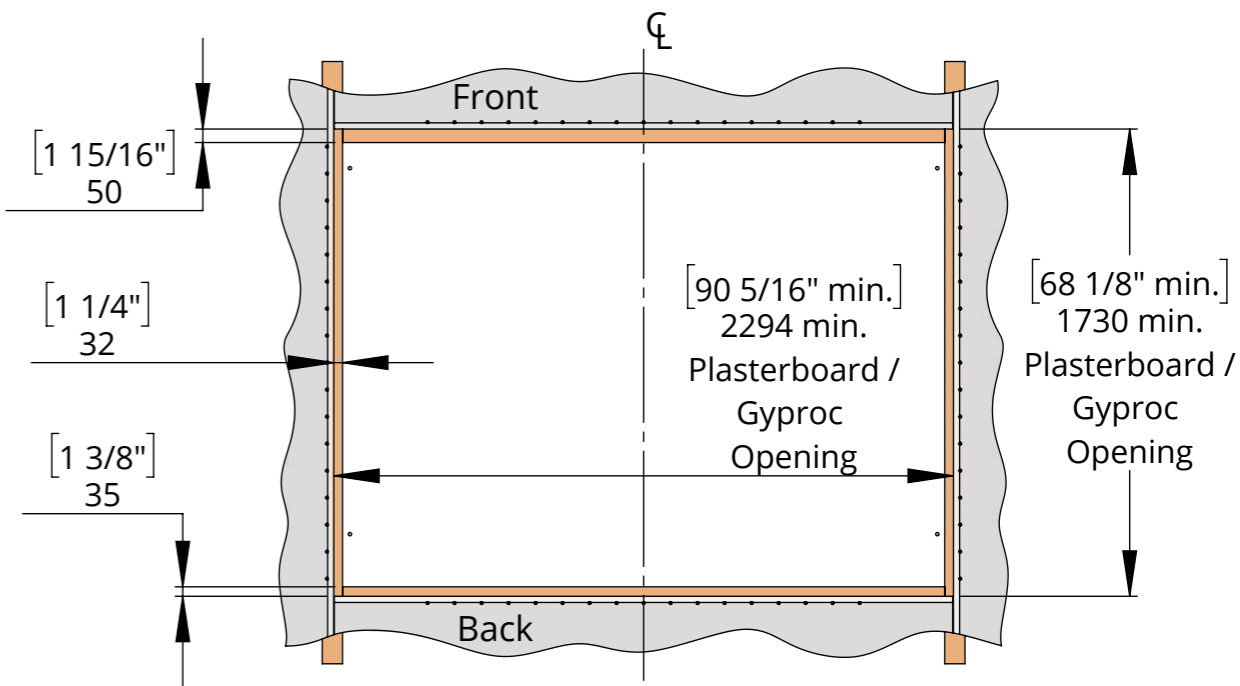
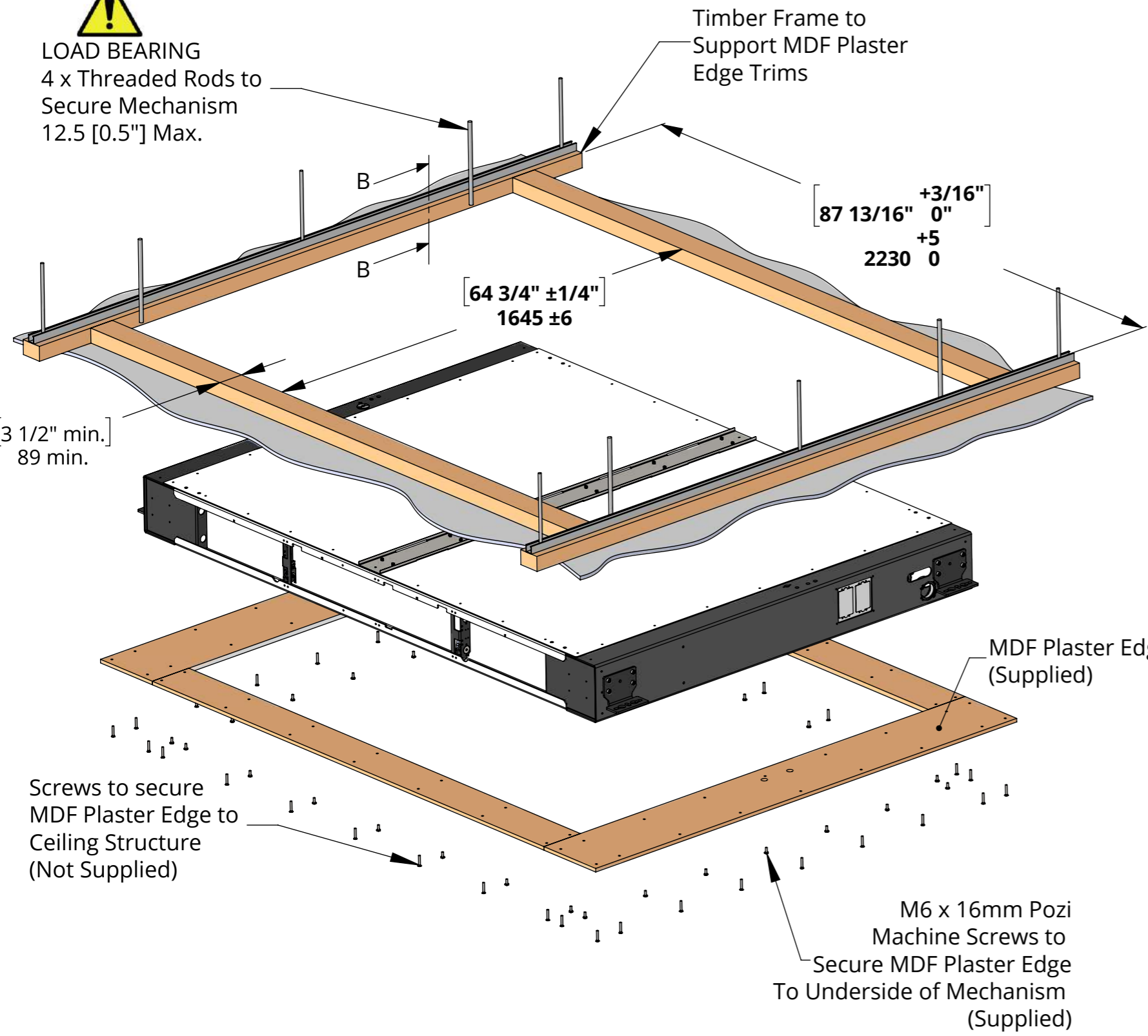
CHRS7-RES

RESIDENTIAL CEILING HINGE RANGE WITH SWIVEL

OPTION 2 - FIXING INTO SUSPENDED CEILING



LOAD BEARING
4 x Threaded Rods to Secure Mechanism
12.5 [0.5"] Max.



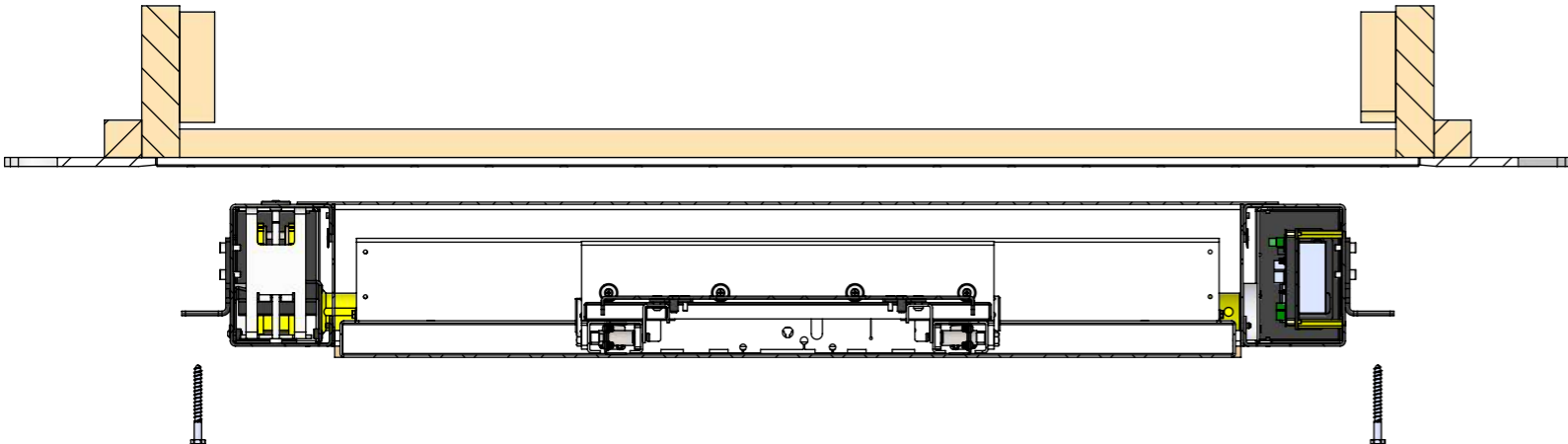
CHRS7-RES

RESIDENTIAL CEILING HINGE RANGE WITH SWIVEL

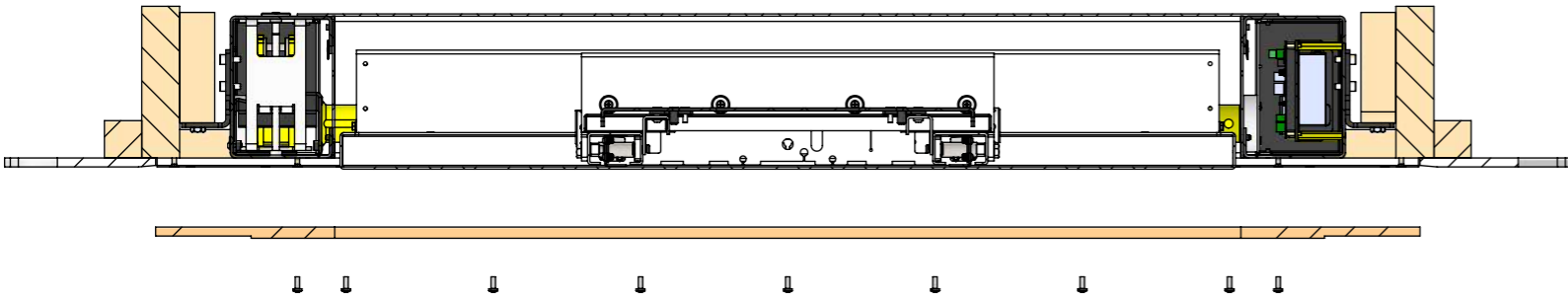
INSTALLATION PRECEDURE

THE INSTALLATION PROCEDURE IS CARRIED OUT IN THE SAME WAY FOR OPTION 1 OR OPTION 2

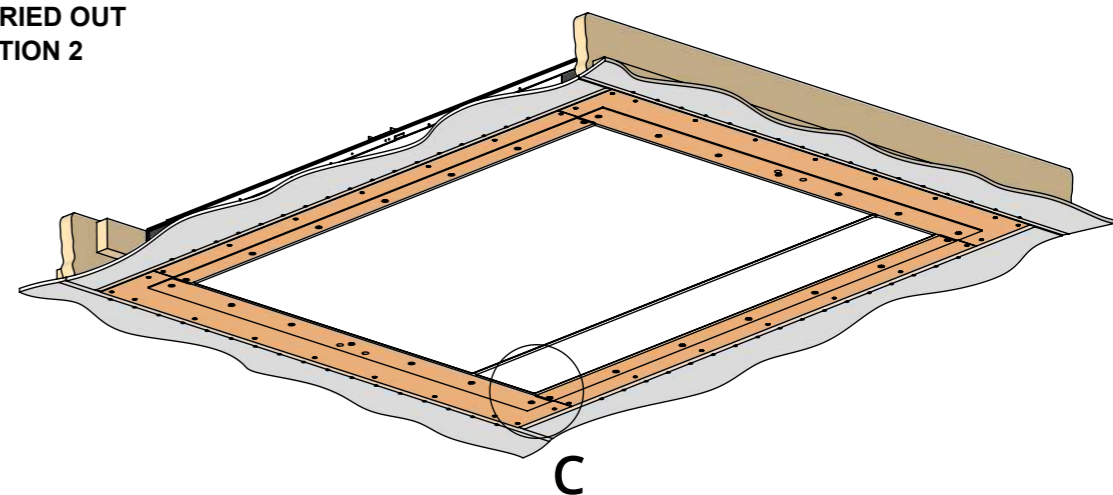
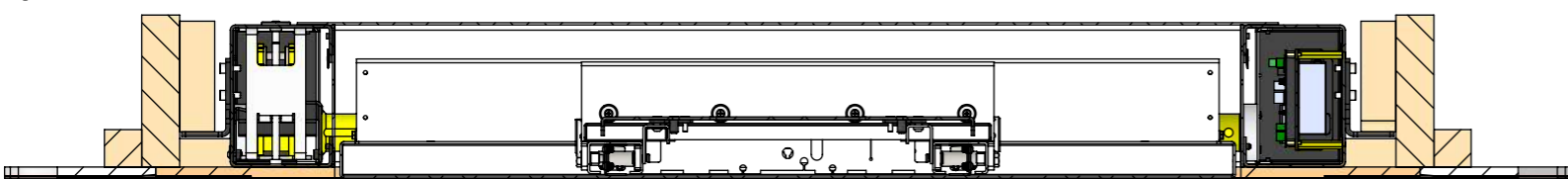
1. MECHANISM INSTALLATION



2. MDF PLASTER TRIM INSTALLATION

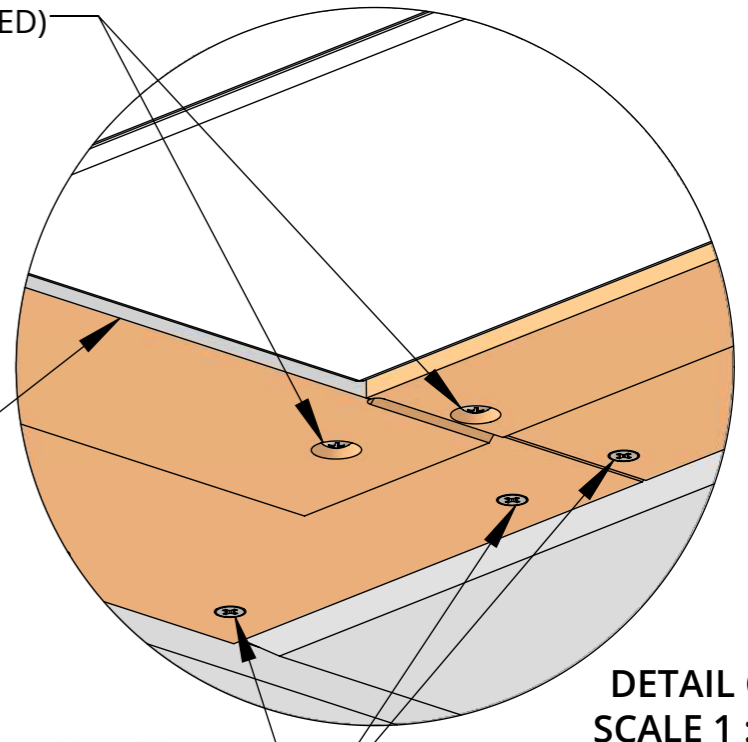


3. PLASTERING



28 No. OFF
SS M6 x 16MM
POZI (SUPPLIED)

7mm [1/4"]
Shadow Gap
Around Tray



36 No.OFF
MDF SCREW
(NOT SUPPLIED)

DETAIL C
SCALE 1 : 3

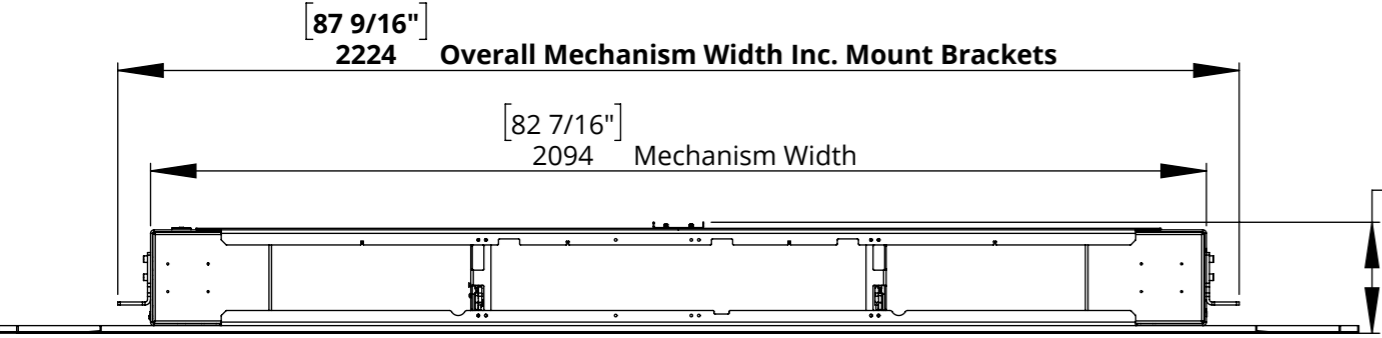
CHRS7-RES

RESIDENTIAL CEILING HINGE RANGE WITH SWIVEL

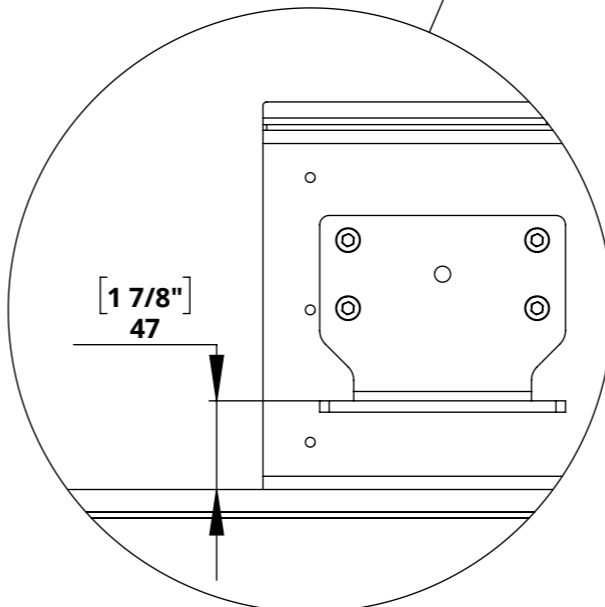
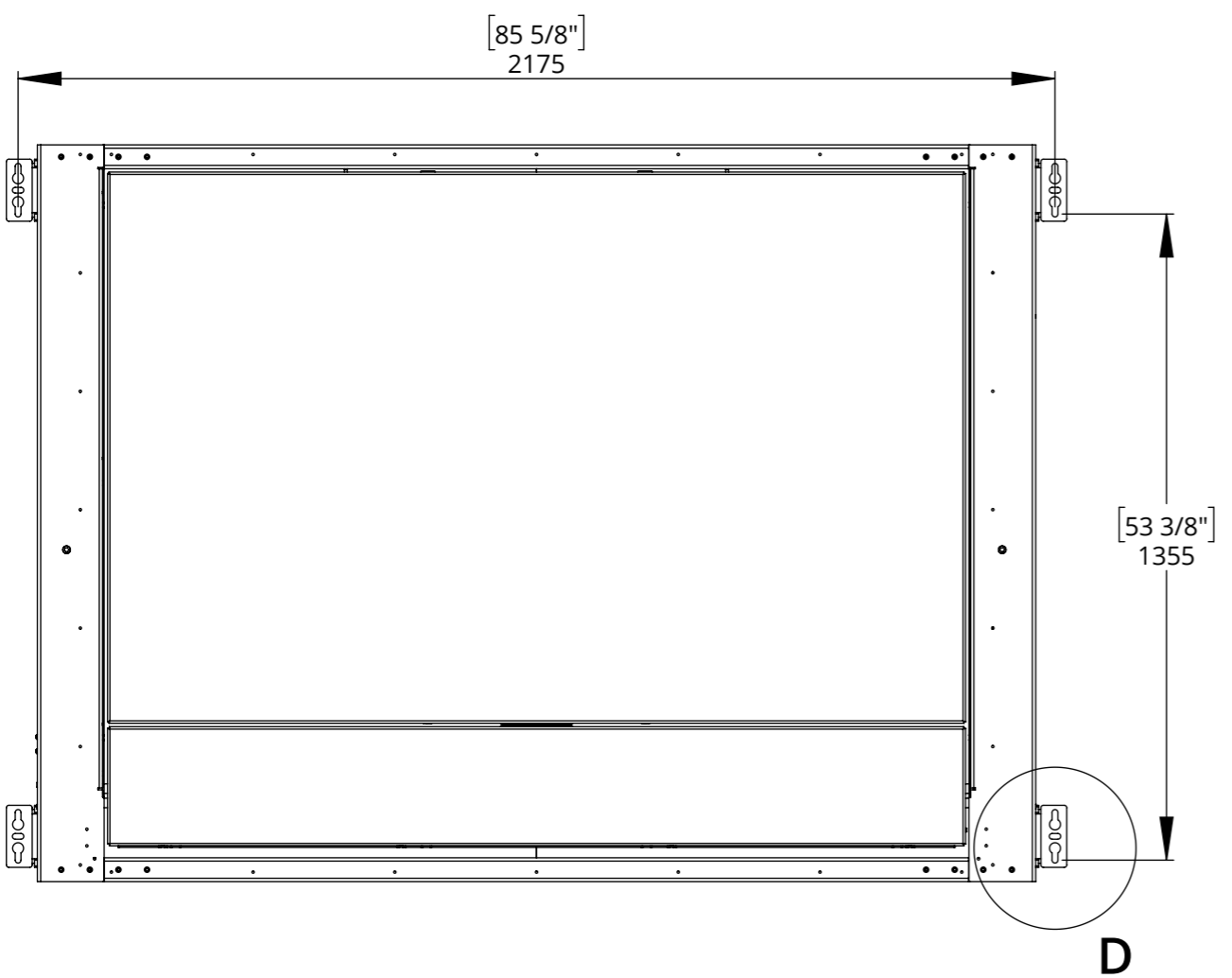
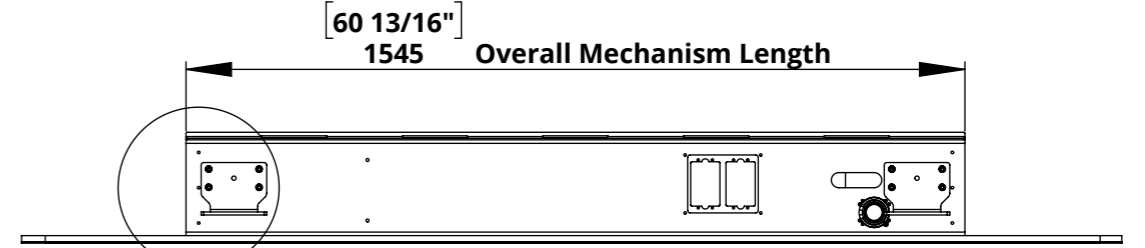
MECHANISM DIMENSIONS - CLOSED



future automation

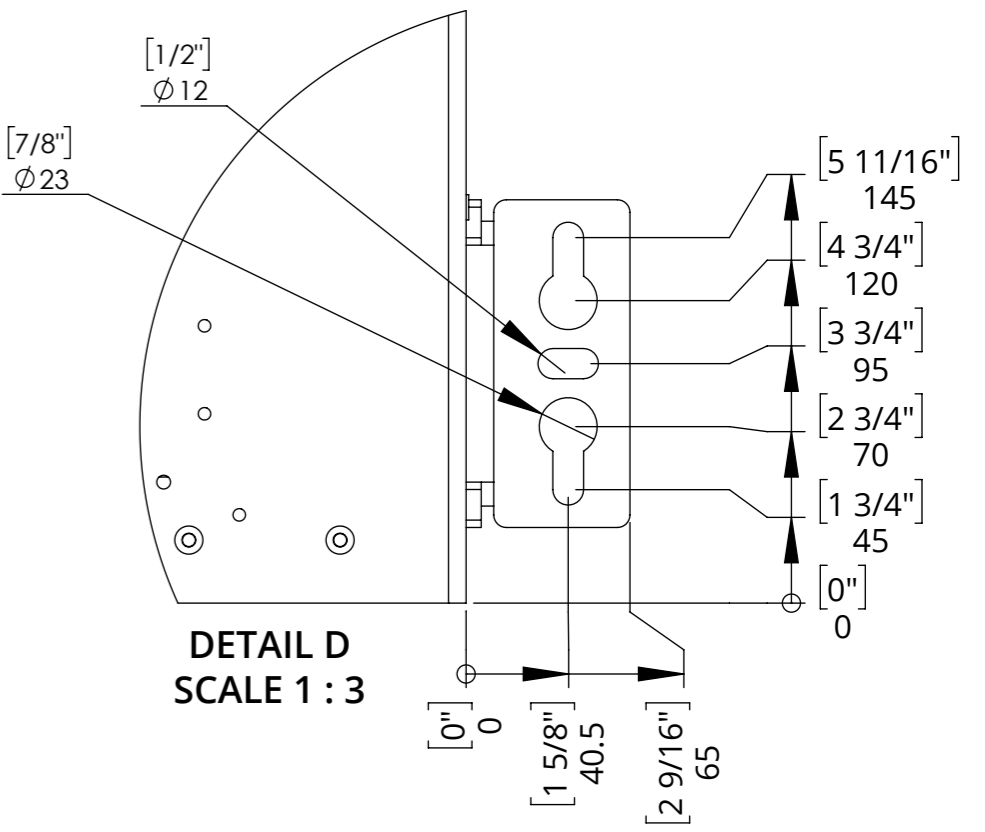


[8 11/16"]
220 Mechanism Height From Underside of Ceiling



FIXING DETAIL

Mechanism mounted on M12 [0.5] Studding or fixed to underside of the ceiling joist structure, both using the mounting brackets installed on mechanism as standard



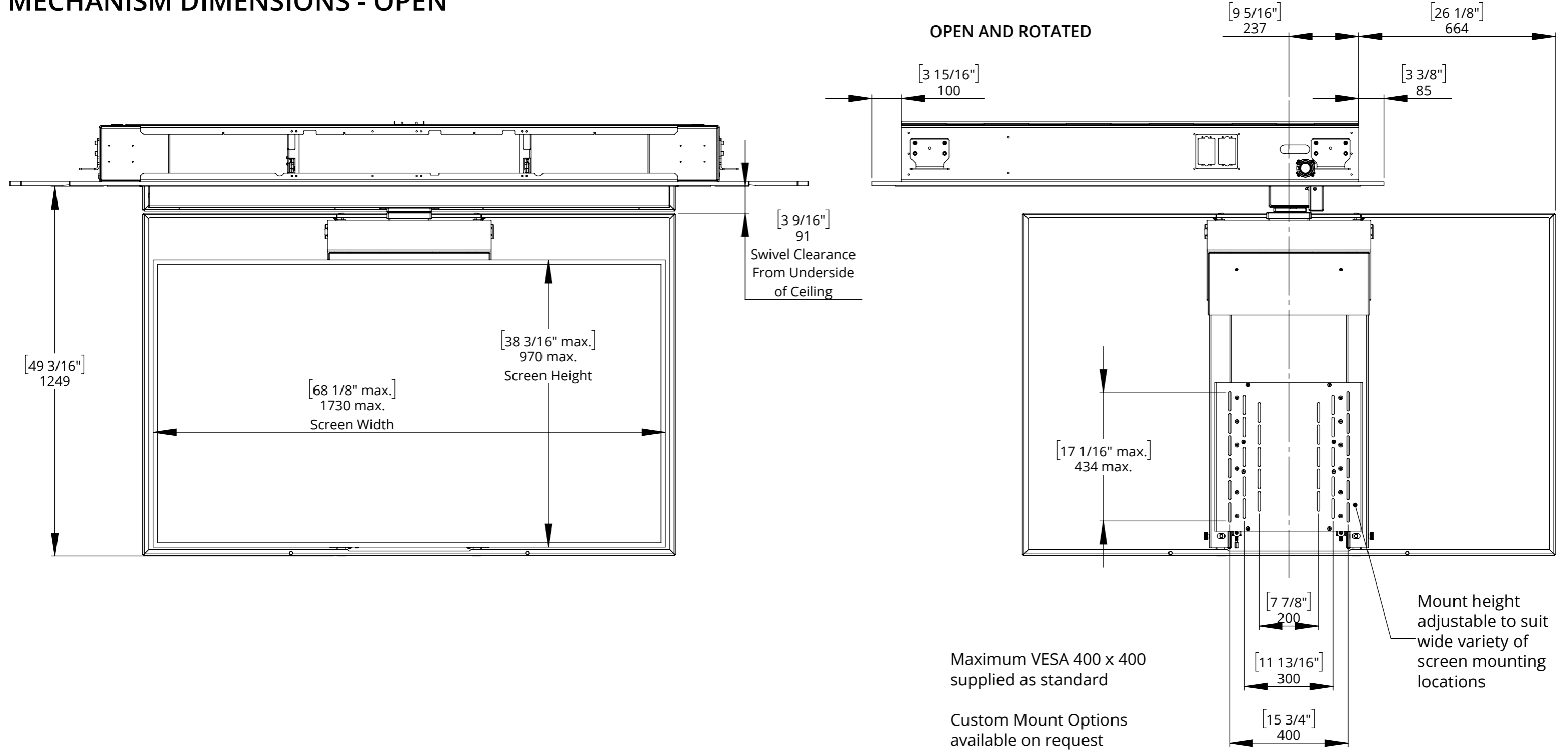
CHRS7-RES

RESIDENTIAL CEILING HINGE RANGE WITH SWIVEL

MECHANISM DIMENSIONS - OPEN



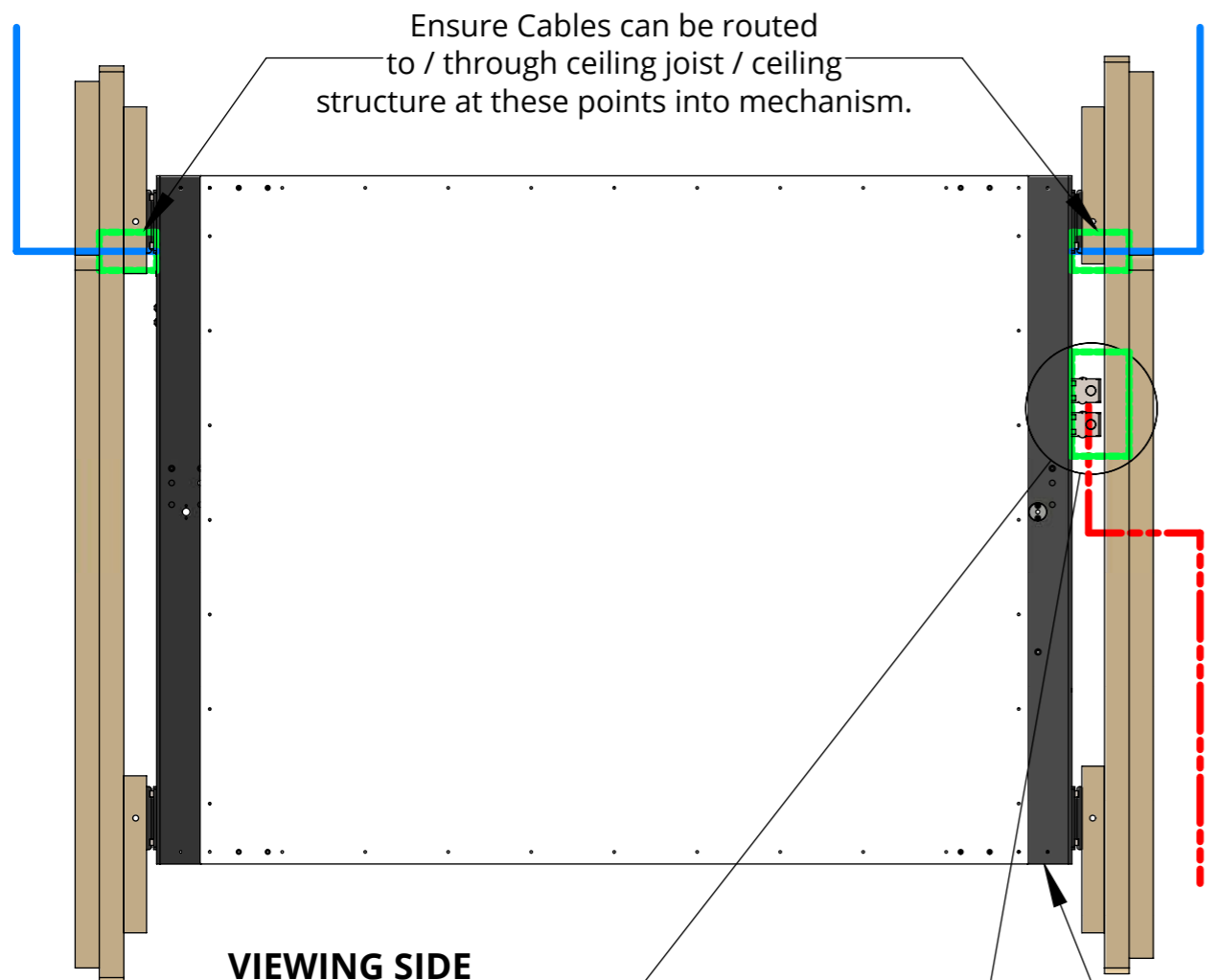
future automation



CHRS7-RES

RESIDENTIAL CEILING HINGE RANGE WITH SWIVEL

CEILING PREPARATION



— AV Signal Cables / Mechanism Control Cables
 - - - Power Cable for Mechanism and AV

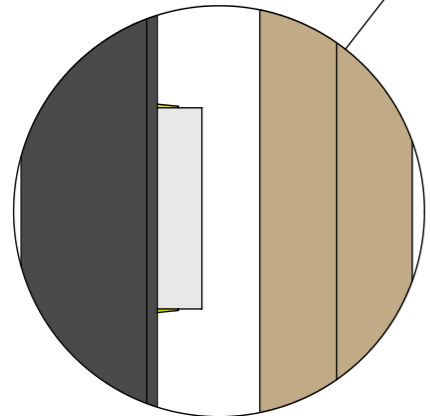
Cable Routing

Cables for the screen can be routed in from both sides, allowing for power and signal cables to be separated when entering the mechanism.

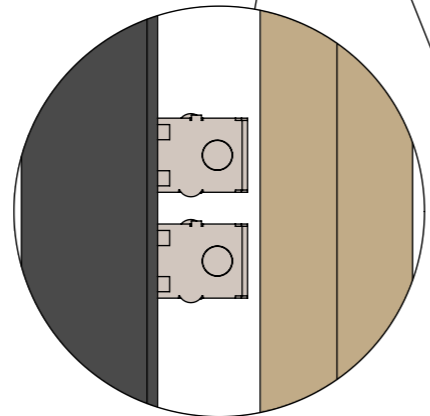
The opening on both sides is MIN. 32mm [1.3"] in diameter allowing for multiple cables to be routed to the screen.

A power outlet mounting plate is supplied in the right hand gearbox allowing for UK and US power outlets to be wired directly into the mechanism.

VIEWING SIDE

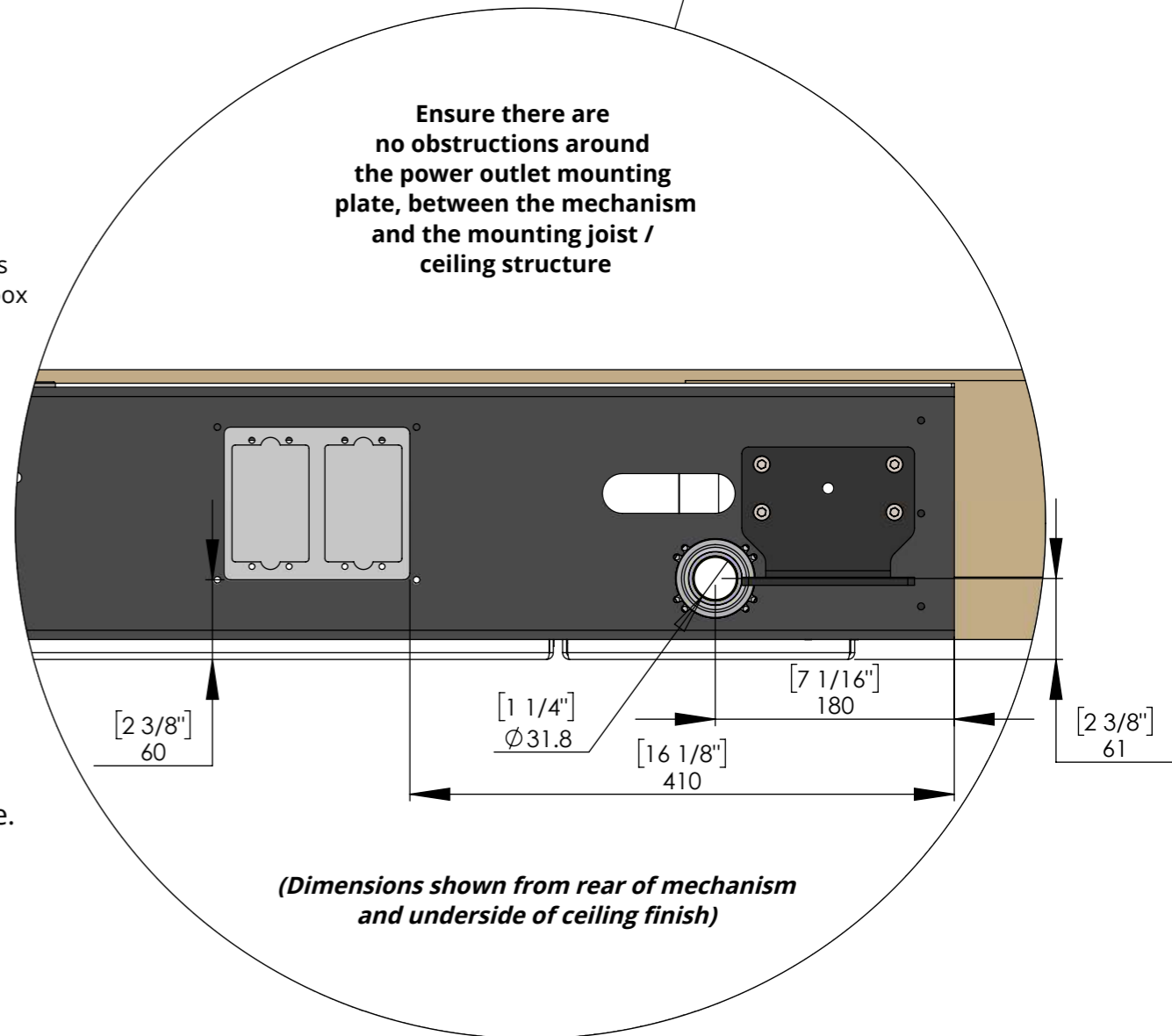
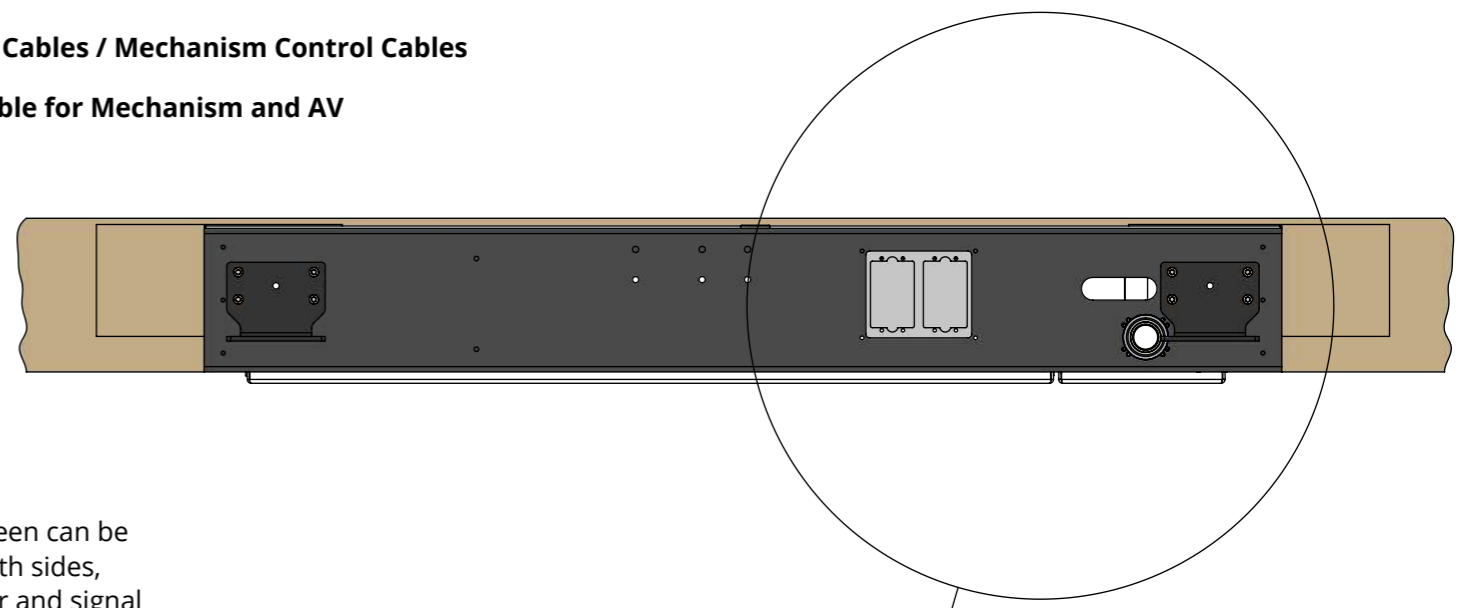


UK 2G Mains Plasterboard Back Box



2 No. US J-Box

Mechanism control system housed internally on this side. Accessible from removable internal access hatch.



(Dimensions shown from rear of mechanism and underside of ceiling finish)