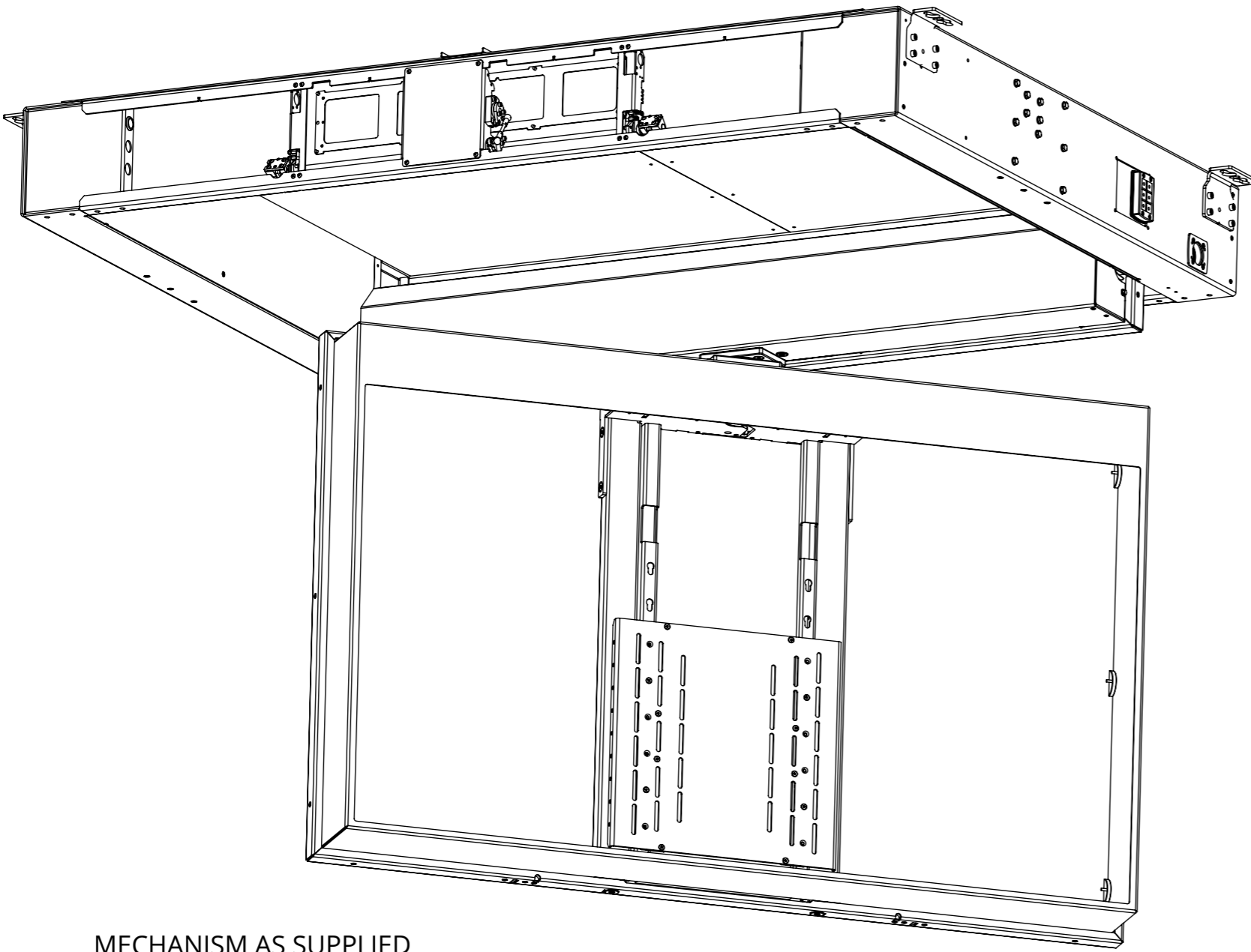
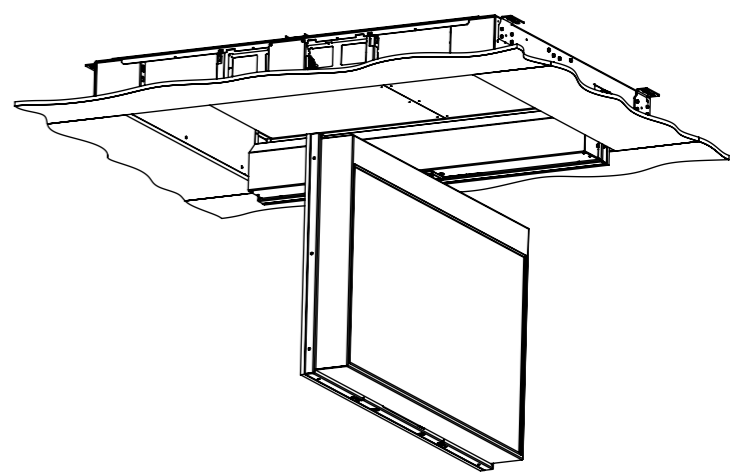
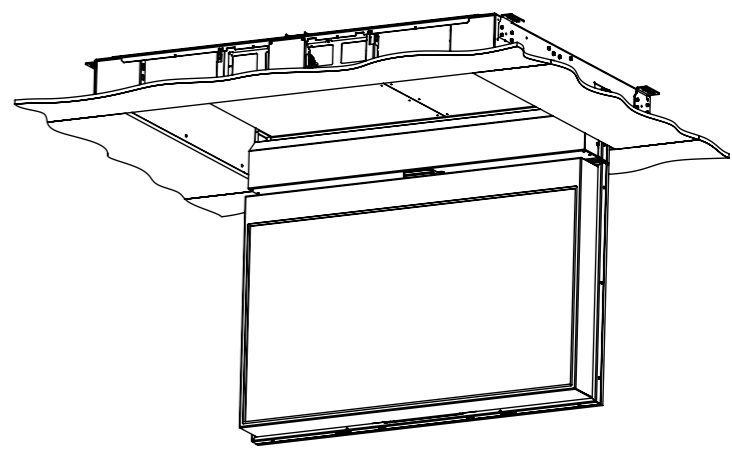
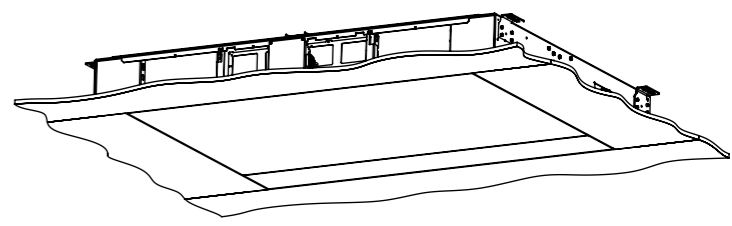


CHRS7-M

MARINE INDOOR CEILING HINGE RANGE WITH SWIVEL



MECHANISM AS SUPPLIED



CHRS7-M

MARINE INDOOR CEILING HINGE RANGE WITH SWIVEL



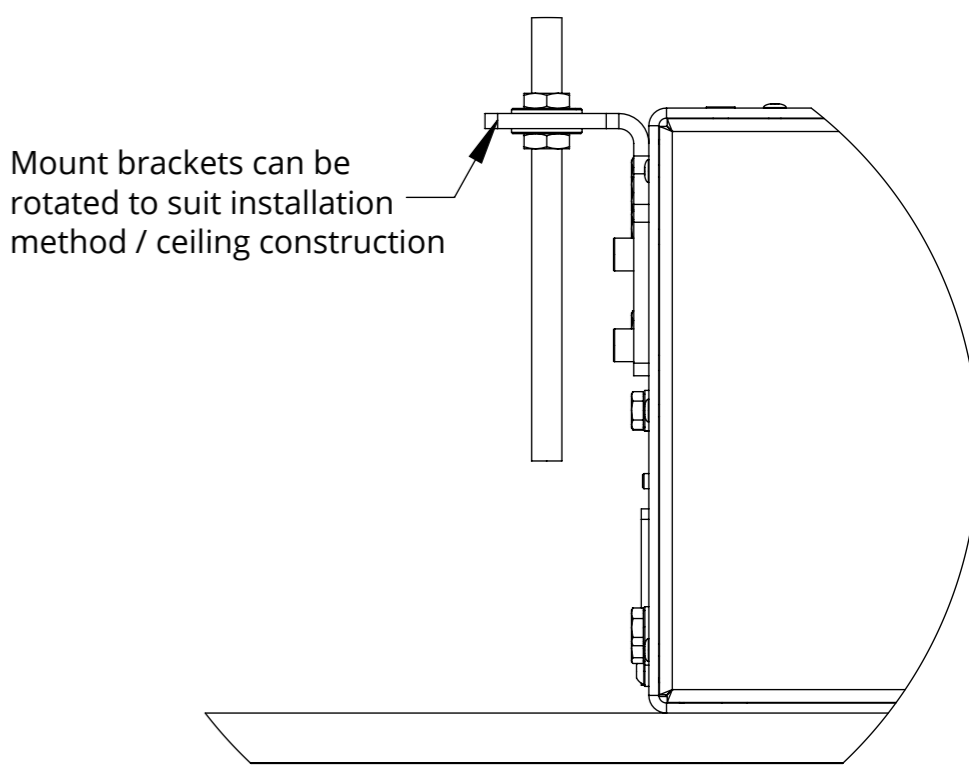
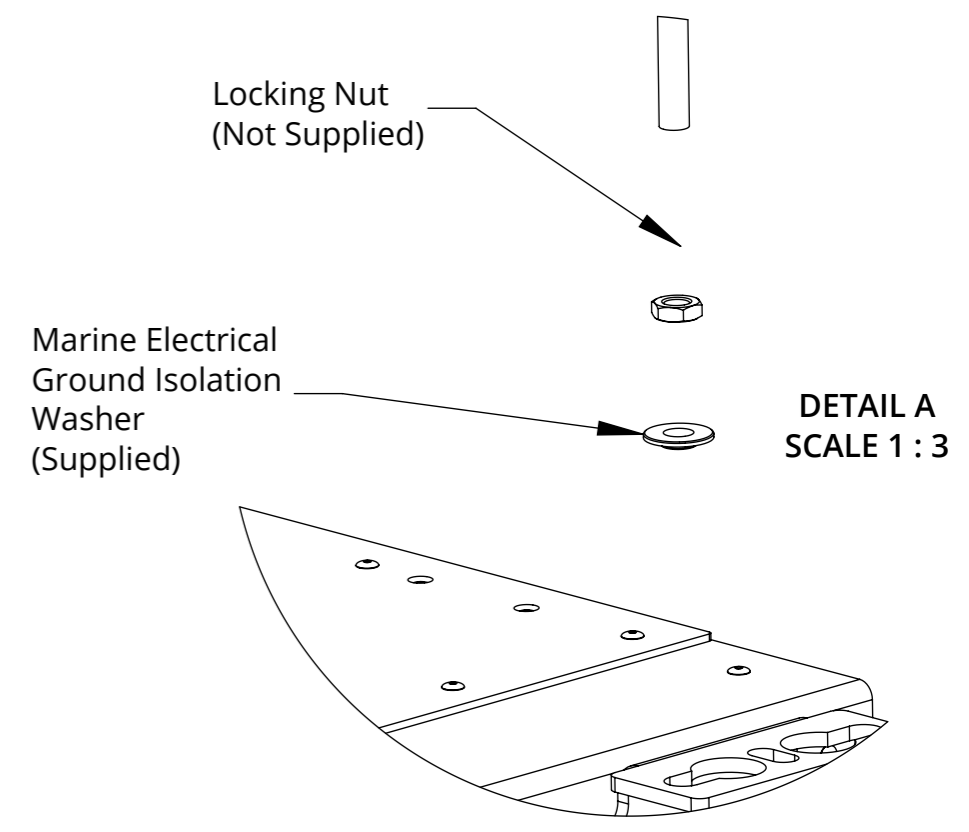
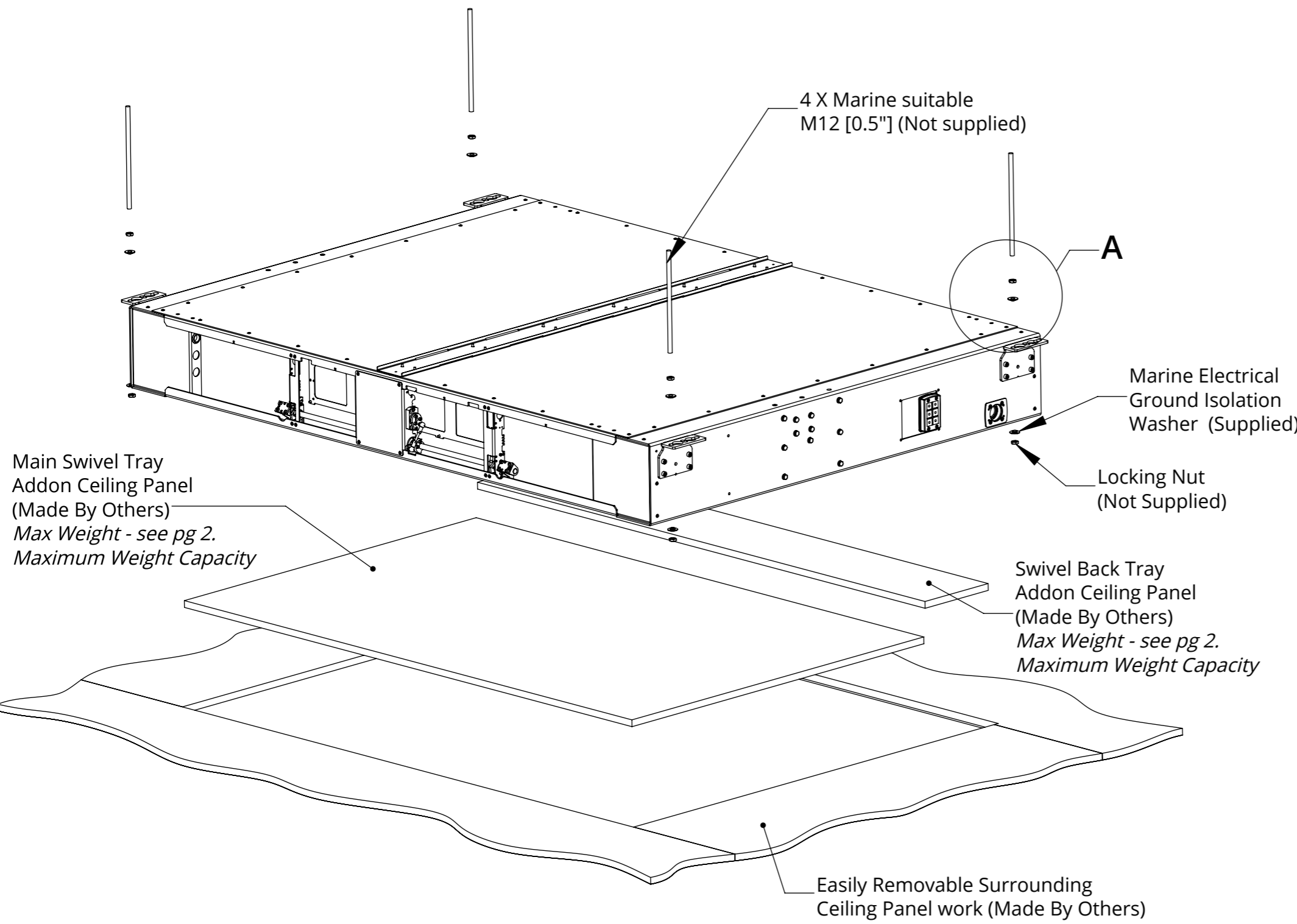
future automation

SPECIFICATION	MEASUREMENTS
Product Dimensions	2224mm [87 9/16"] W x 1562mm [61 1/2 "] L x 255mm [10 1/16"] D
Product Weight	230Kg [507lb]
Maximum Screen Size (≤70mm D)	1730mm [68 1/8 "] W x 970mm [38 3/16"] L x 70mm [2 3/4 "] D
Maximum Screen Size (>70mm D)	1730mm [68 1/8 "] W x 940mm [37"] L x 130mm [5 1/8 "] D
Maximum Weight Capacity	150Kg [331lb] Max. - Inc 30Kg [66lb] Max. Addon Ceiling Panel Main Hinge & 10Kg [22lb] Max. Addon Ceiling Panel Swivel Back Tray <i>*Assuming Screen Weight Biased Low (3/4 Screen Height)</i>
Packaging Dimensions	2270mm [89 3/8 "] W x 1720mm [67 11/16"] L x 490mm [19 5/16"] D
Shipping Weight	383Kg [844lb]
Maximum Rotation	90° on Hinge 180° CW and CCW on Swivel
Movement Type	Motorised
Control System	Housed internally - Accessible through internal access hatch.
Power Supply Required	110V - 240V AC 50-60hz
Power Consumption Max.	720W
Power Consumption Standby	3W
Mounting Patterns Supported	VESA 400, 300, 200 W x 400, 300, 200 H
Control Options	IR Remote, RS232, Contact Closure
Product Options / Features	Specific B&O and Loewe mounts / adapters, Custom RAL paint finishes, Marine suitable version
Package Contents	Mechanism, IR remote control
Environment	Marine Indoor
Colour	WHITE - RAL9910 Satin Finish
Marine Suitable	Yes - Marine Locks for secure stowing when not in use

CHRS7-M

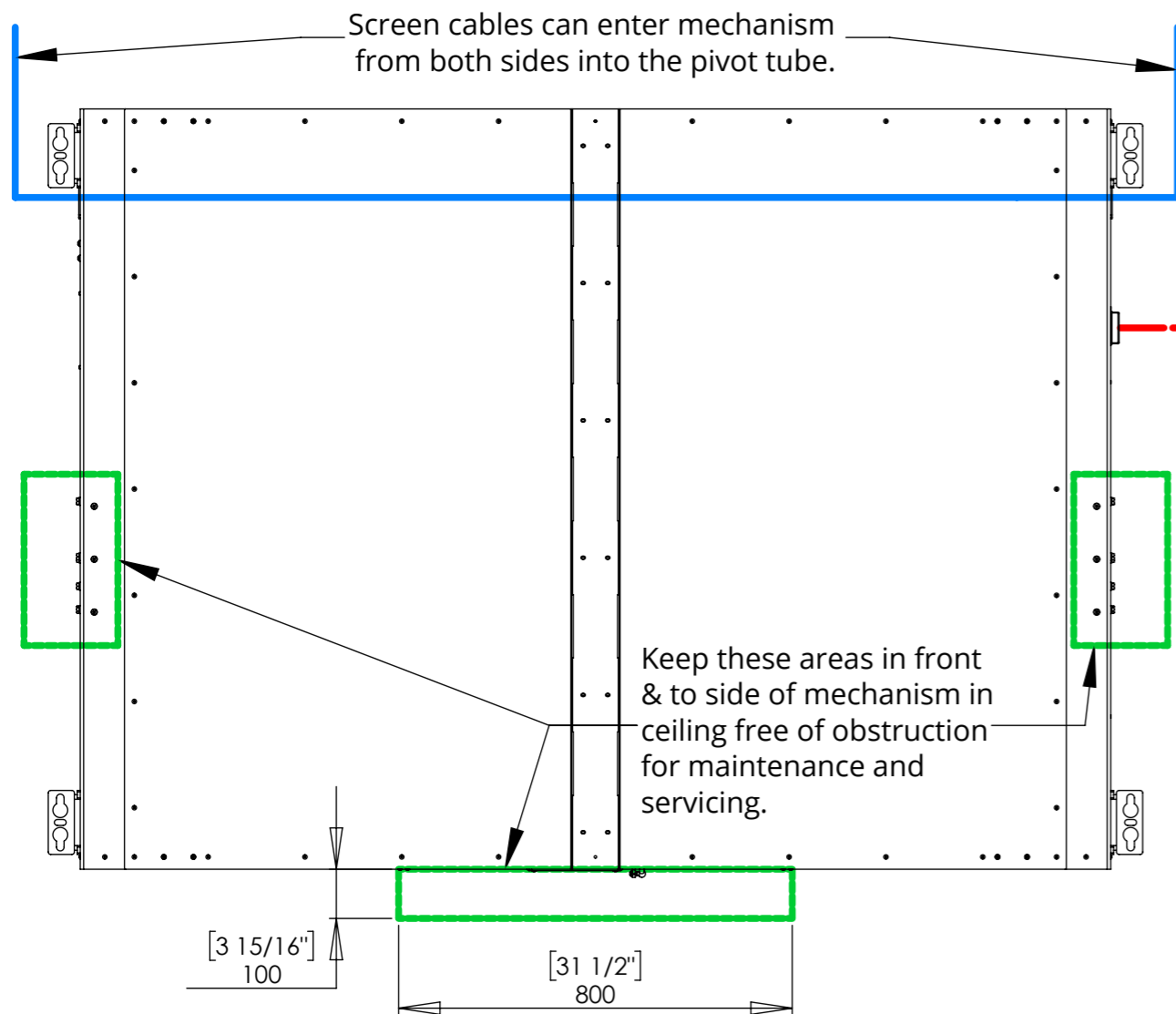
MARINE INDOOR CEILING HINGE RANGE WITH SWIVEL

MECHANISM MOUNTING DETAILS



CHRS7-M MARINE INDOOR CEILING HINGE RANGE WITH SWIVEL

CEILING PREPARATION



----- Mechanism Power and Control Cables.

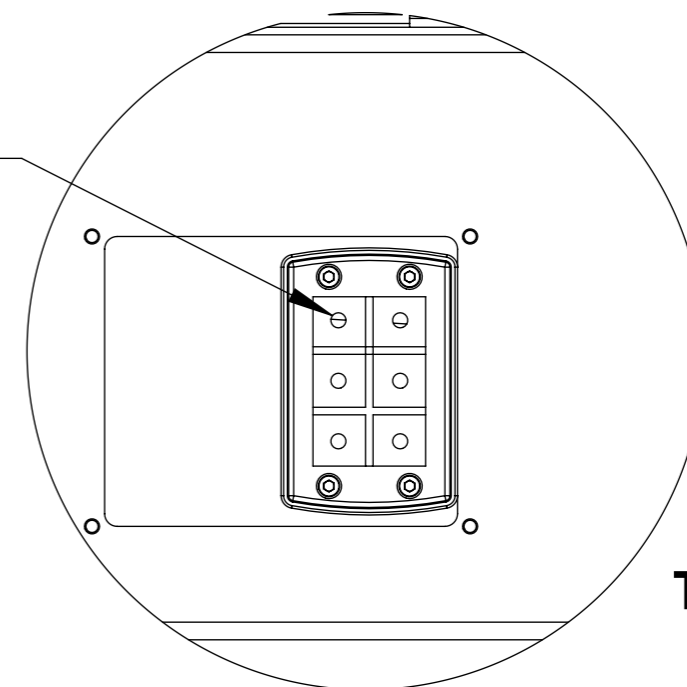
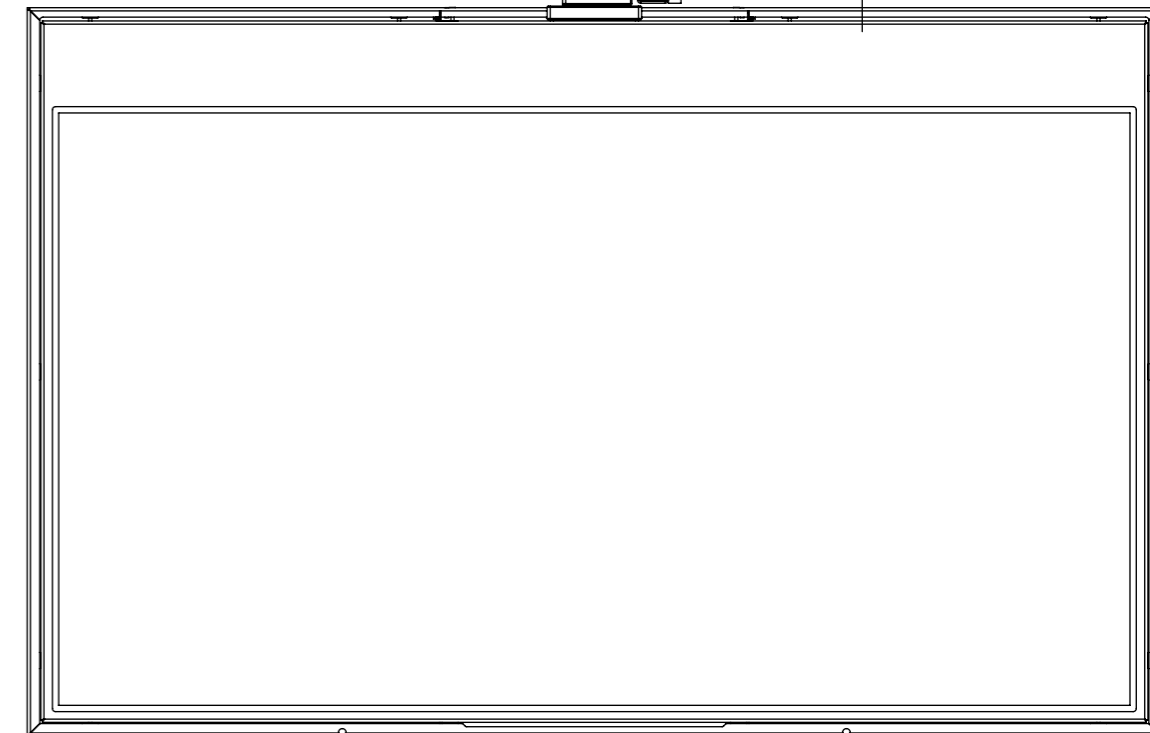
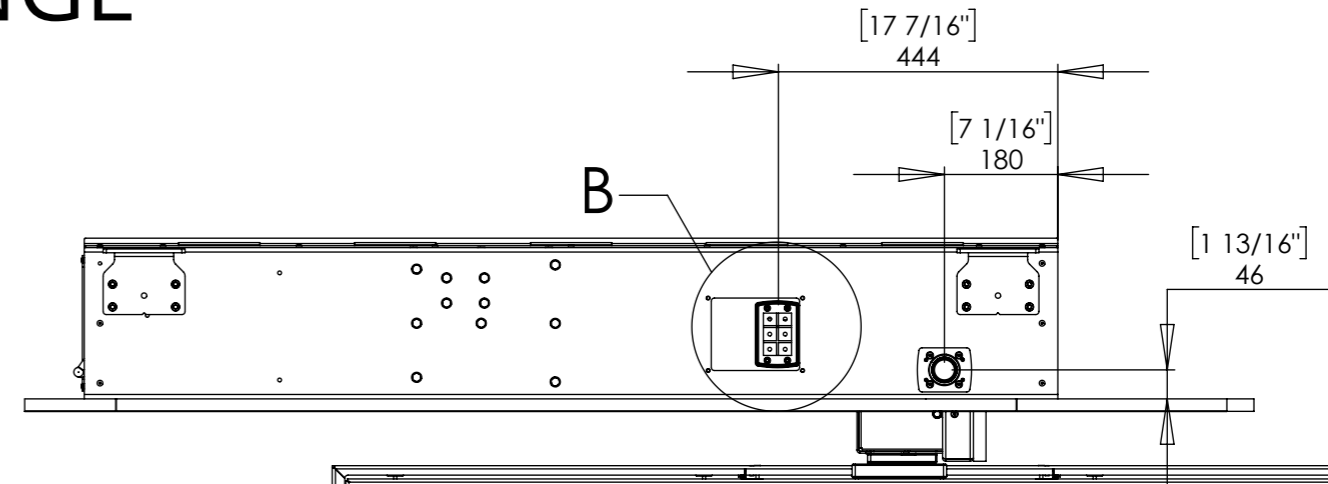
———— Screen power and Signal

Cables for the screen can be routed in from both sides, allowing for power and signal cables to be separated when entering the mechanism.

The opening on both sides is **MIN. 32mm [1.3"]** in diameter allowing for multiple cables to be routed to the screen.

Cables pass through easily removable cable gland plates into mechanism.

Additional glands to suit different cable sizes are available on request.

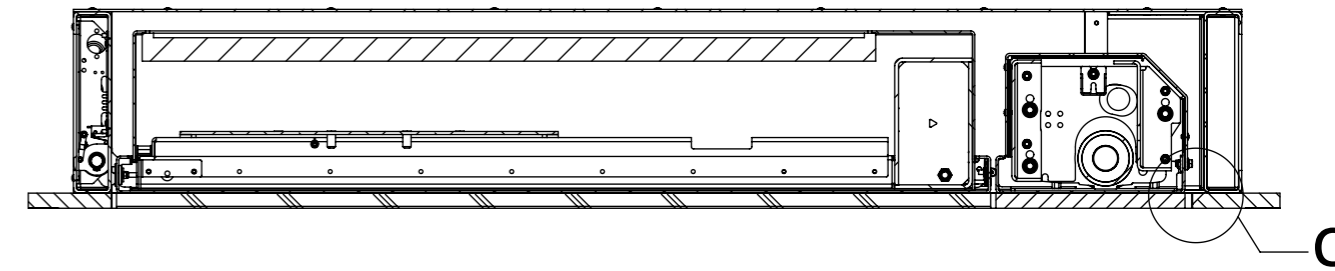


DETAIL B
SCALE 1 : 3

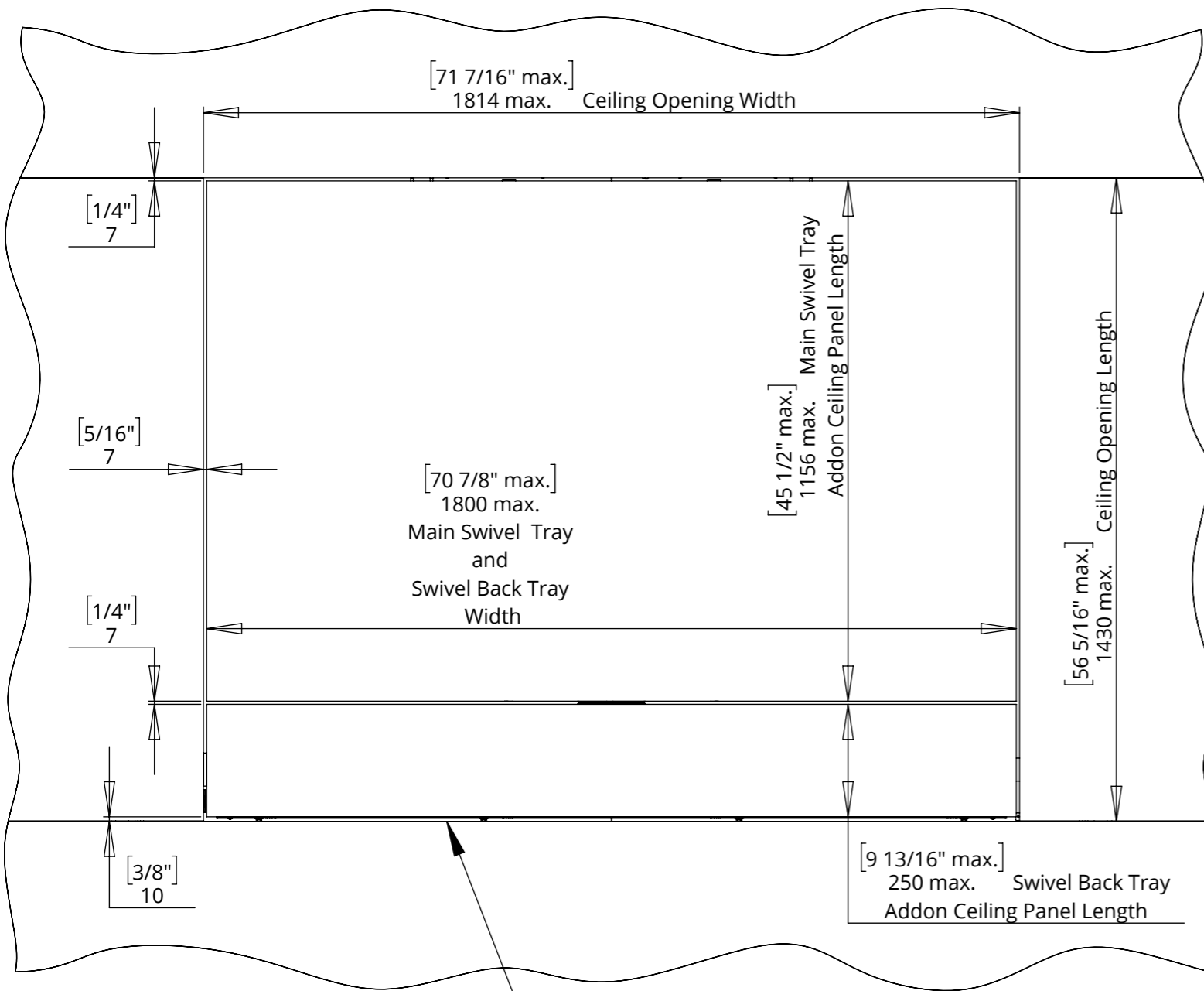


CHRS7-M MARINE INDOOR CEILING HINGE RANGE WITH SWIVEL

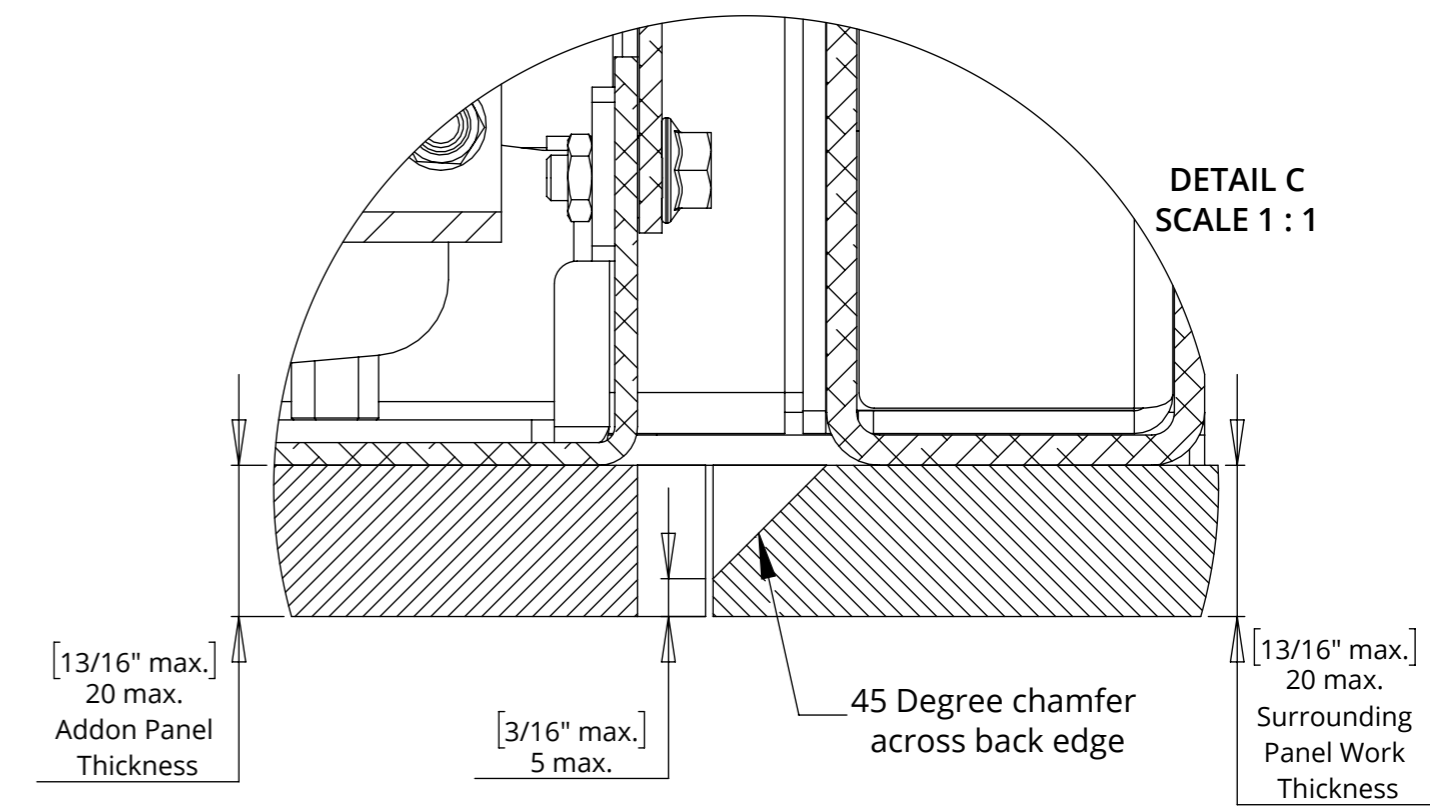
CEILING DETAILS



C



Mechanism designed to work with min. 7mm [0.3"] shadow gaps at front, sides & between addon panels



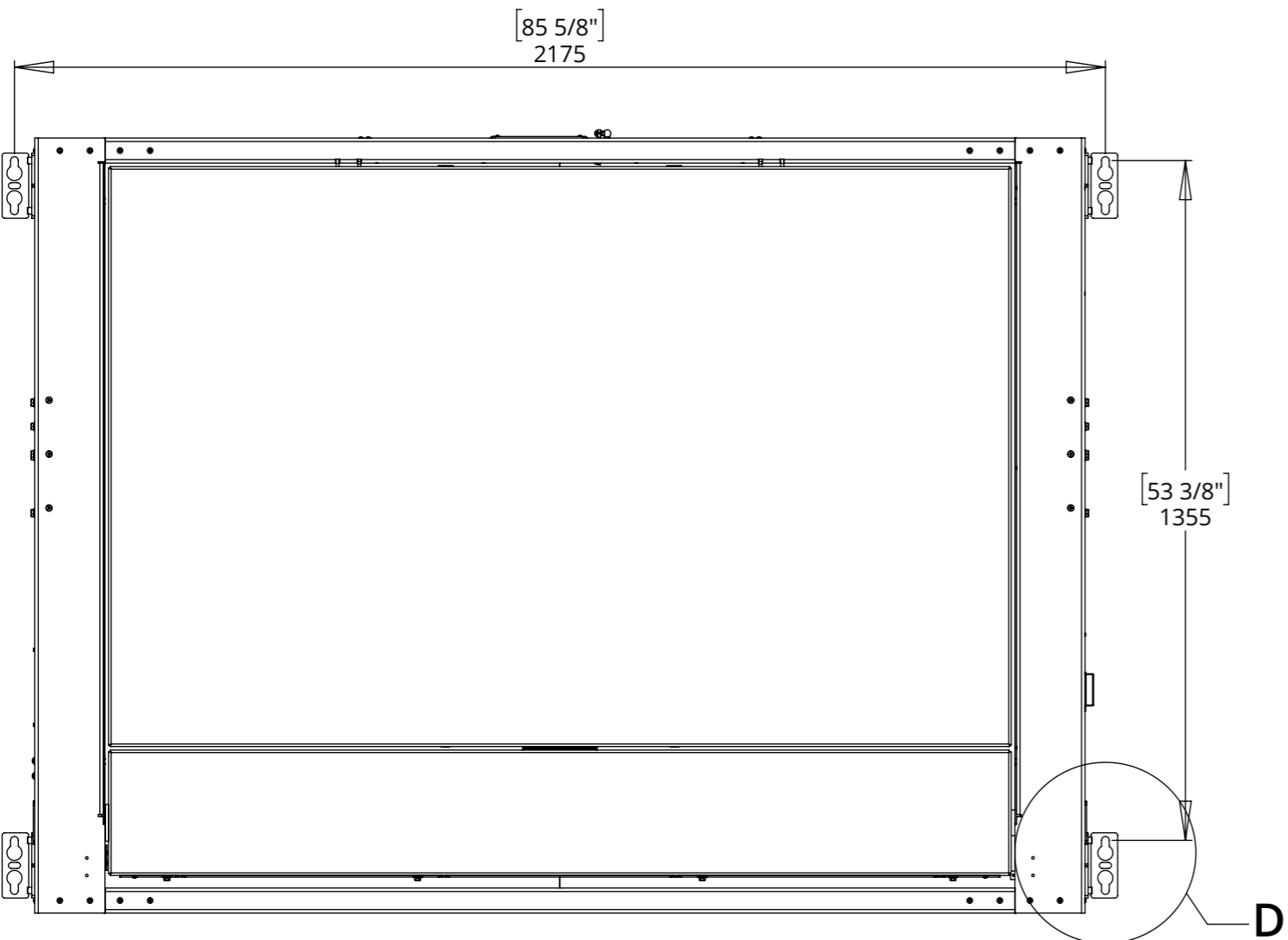
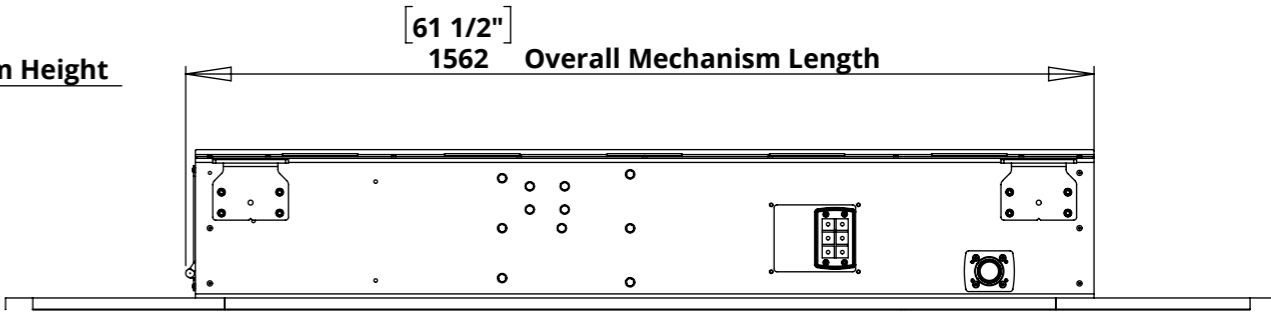
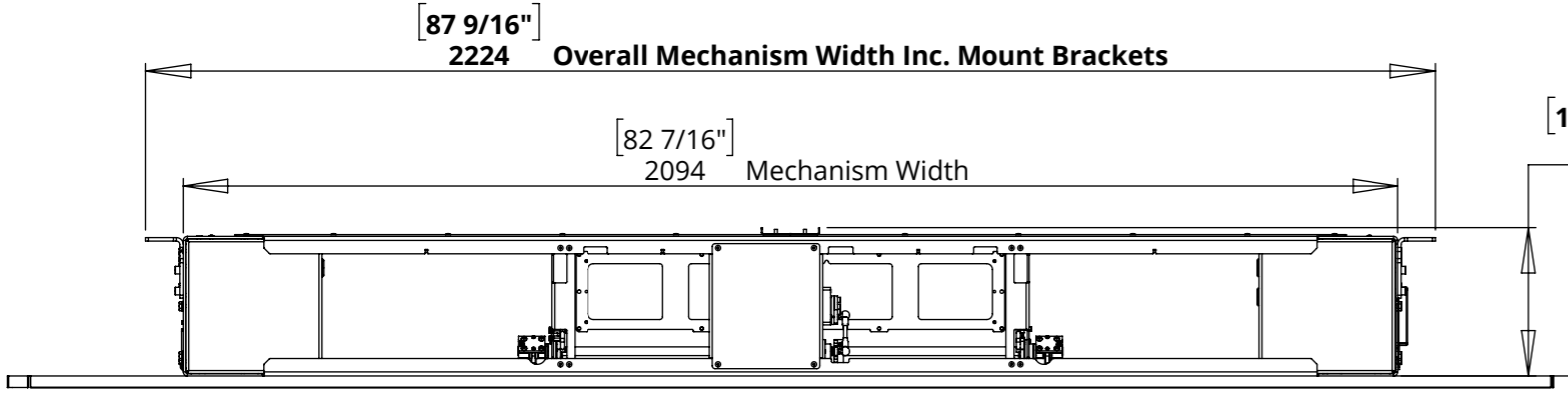
Ensure all panel work is the same thickness.

Weight of all addon panel work must be included in maximum mechanism lifting capacity.

CHRS7-M

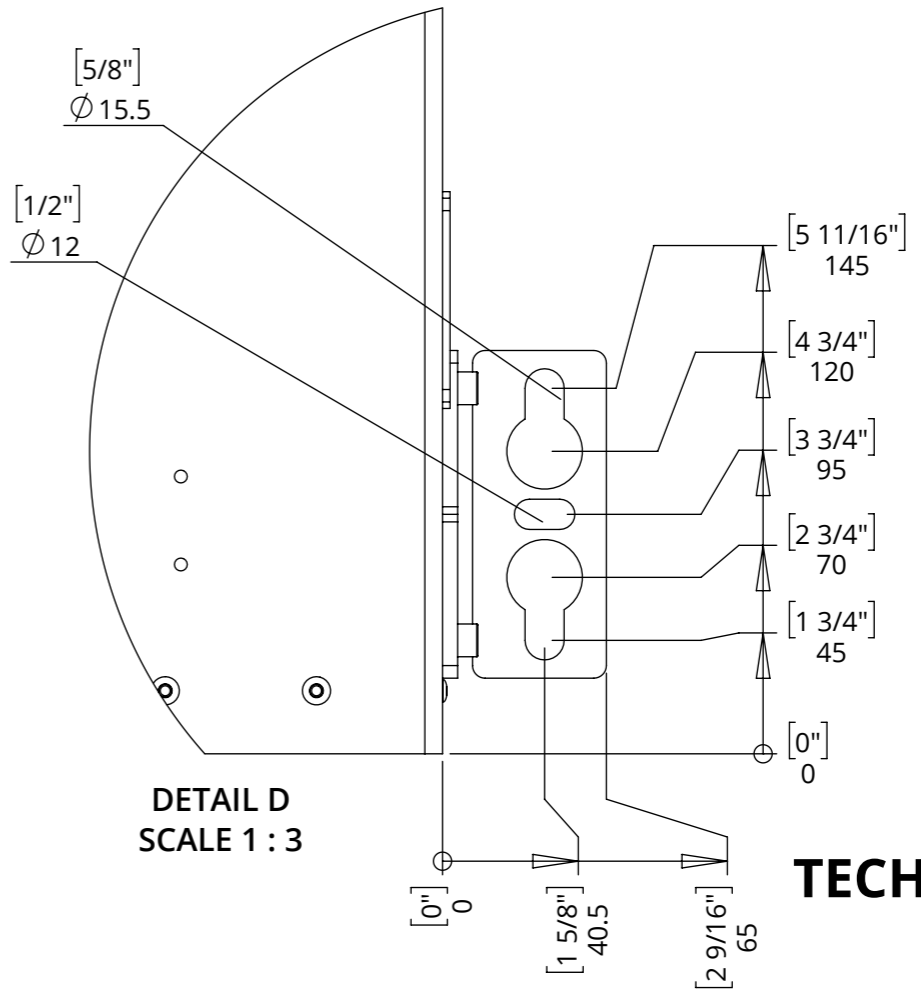
MARINE INDOOR CEILING HINGE RANGE WITH SWIVEL

MECHANISM DIMENSIONS - CLOSED



FIXING DETAIL

Mechanism mounted on M12 [0.5] Studding or fixed to underside of the ceiling joist structure, both using the mounting brackets installed on mechanism as standard



CHRS7-M

MARINE INDOOR CEILING HINGE RANGE WITH SWIVEL



future automation

MECHANISM DIMENSIONS - OPEN

