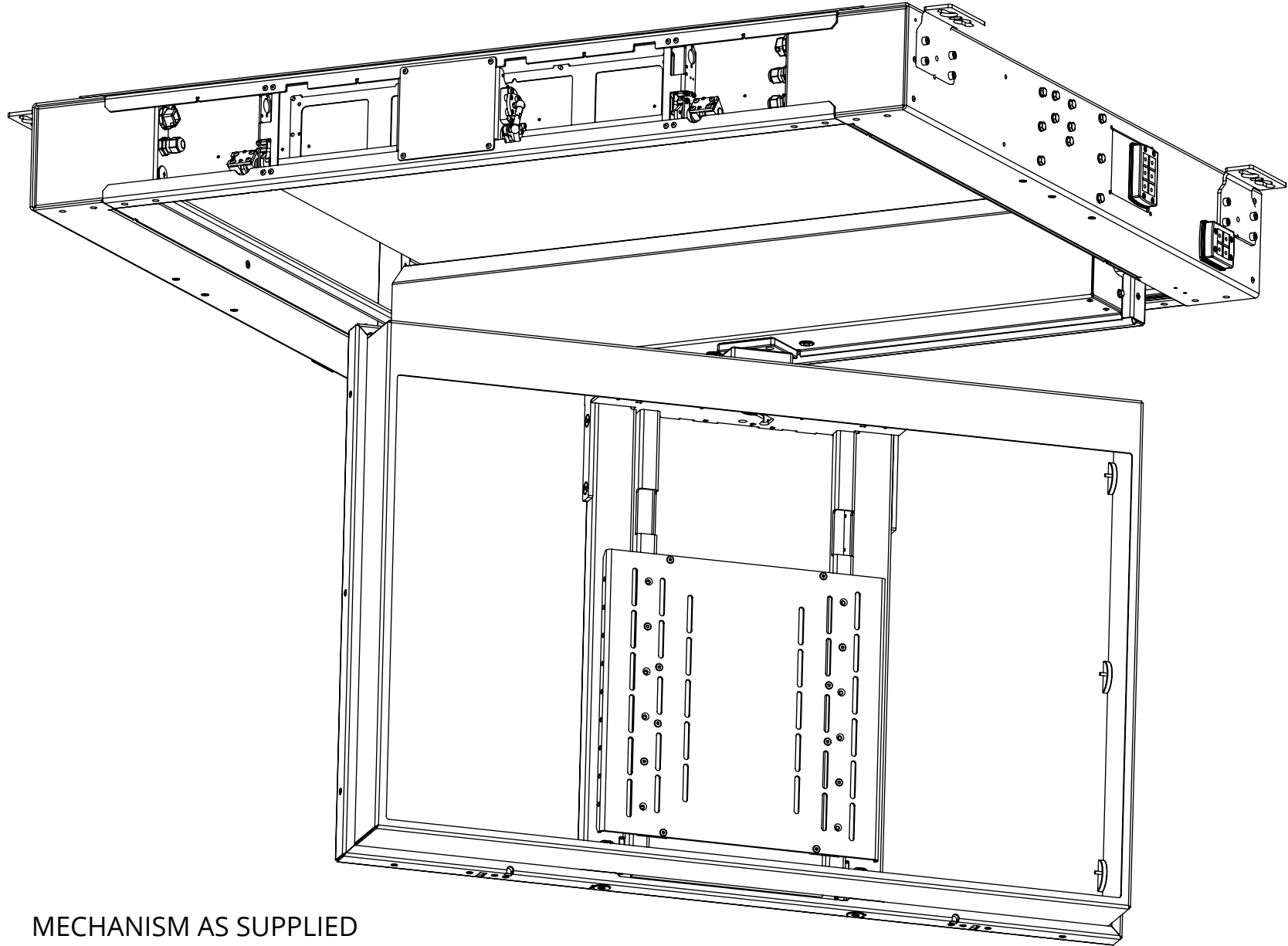
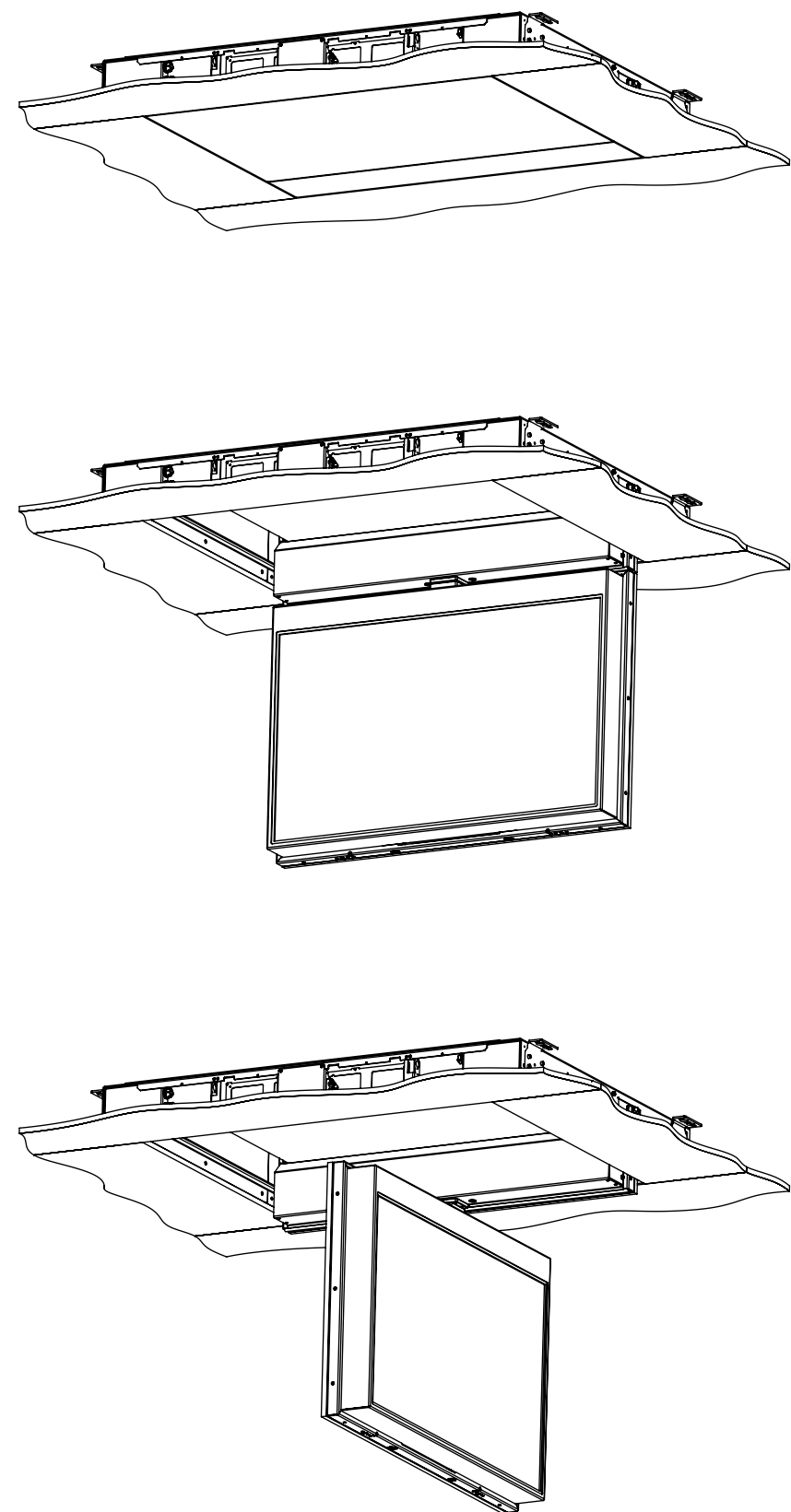


CHRS5-MO

MARINE OUTDOOR CEILING HINGE RANGE WITH SWIVEL



MECHANISM AS SUPPLIED



CHRS5-MO

MARINE OUTDOOR CEILING HINGE RANGE WITH SWIVEL



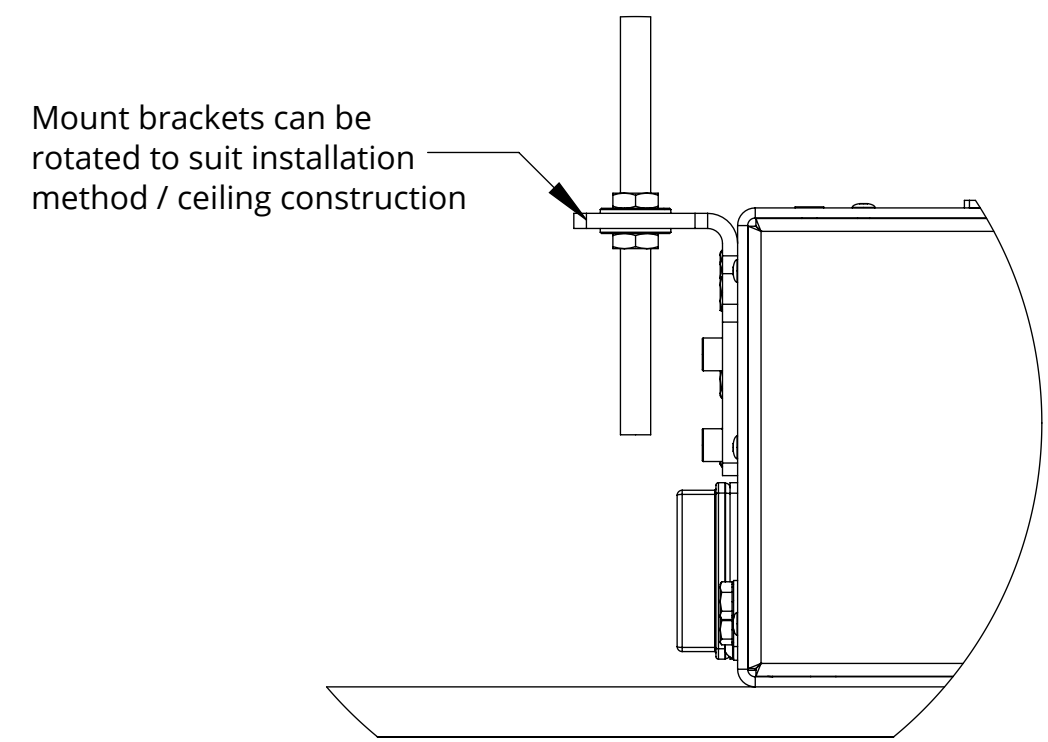
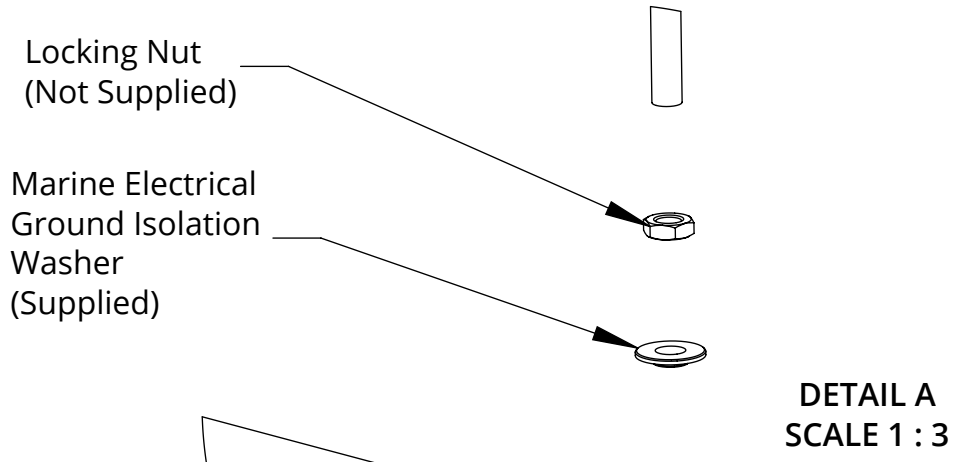
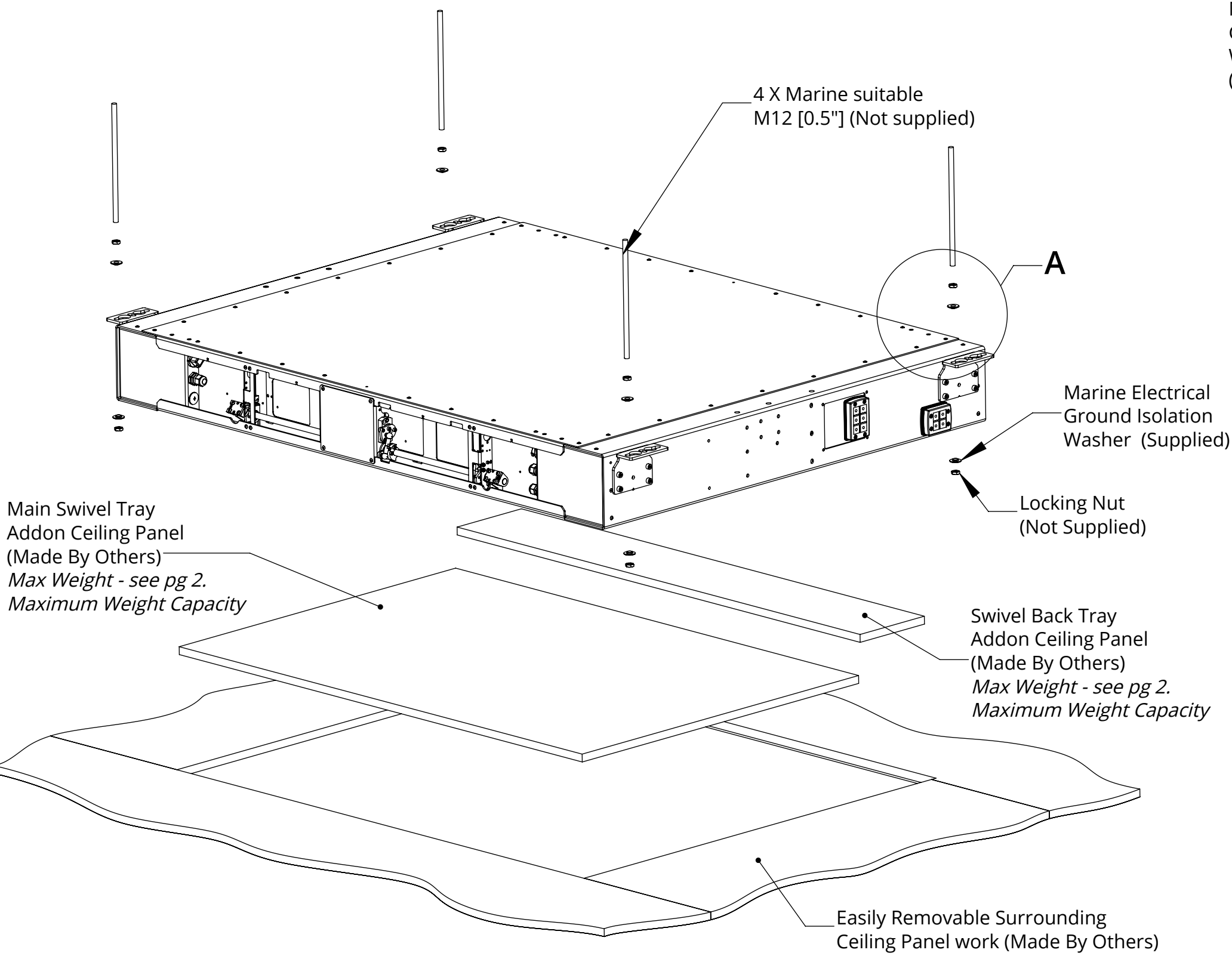
future automation

| SPECIFICATION | MEASUREMENTS |
|-------------------------------|--|
| Product Dimensions | 1824mm [71 13/16"] W x 1322mm [52 1/16"] L x 195mm [7 11/16"] D |
| Product Weight | 160Kg [353lb] |
| Maximum Screen Size (≤70mm D) | 1330mm [52 3/8 "] W x 800mm [31 1/2 "] L x 70mm [2 3/4 "] D |
| Maximum Screen Size (>70mm D) | 1330mm [52 3/8 "] W x 770mm [30 5/16"] L x 95mm [3 3/4 "] D |
| Maximum Weight Capacity | 35Kg [77lb] Max. - Inc 10Kg [22lb] Max. Addon Ceiling Panel Main Hinge & 5Kg [11lb] Max. Addon Ceiling Panel Swivel Back Tray <i>*Assuming Screen Weight Biased Low (3/4 Screen Height)</i> |
| Packaging Dimensions | 1870mm [73 5/8 "] W x 1480mm [58 1/4 "] L x 440mm [17 5/16"] D |
| Shipping Weight | 244Kg [537lb] |
| Maximum Rotation | 90° on Hinge 180° CW and CCW on Swivel |
| Movement Type | Motorised |
| Control System | In IP66 Control box on 3m [10'] Loom |
| Power Supply Required | 110V - 240V AC 50-60hz |
| Power Consumption Max. | 720W |
| Power Consumption Standby | 3W |
| | |
| Mounting Patterns Supported | VESA 400, 300, 200 W x 400, 300, 200 H |
| Control Options | IR Remote, RS232, Contact Closure |
| Product Options / Features | Specific B&O and Loewe mounts / adapters, Custom RAL paint finishes, Marine suitable version |
| Package Contents | Mechanism, IR remote control |
| Environment | Marine Outdoor |
| Colour | WHITE - RAL9910 Satin Finish |
| Marine Suitable | Yes - Marine Locks for secure stowing when not in use - Weatherproof when closed due to Marine Seals . |

CHRS5-MO

MARINE OUTDOOR CEILING HINGE RANGE WITH SWIVEL

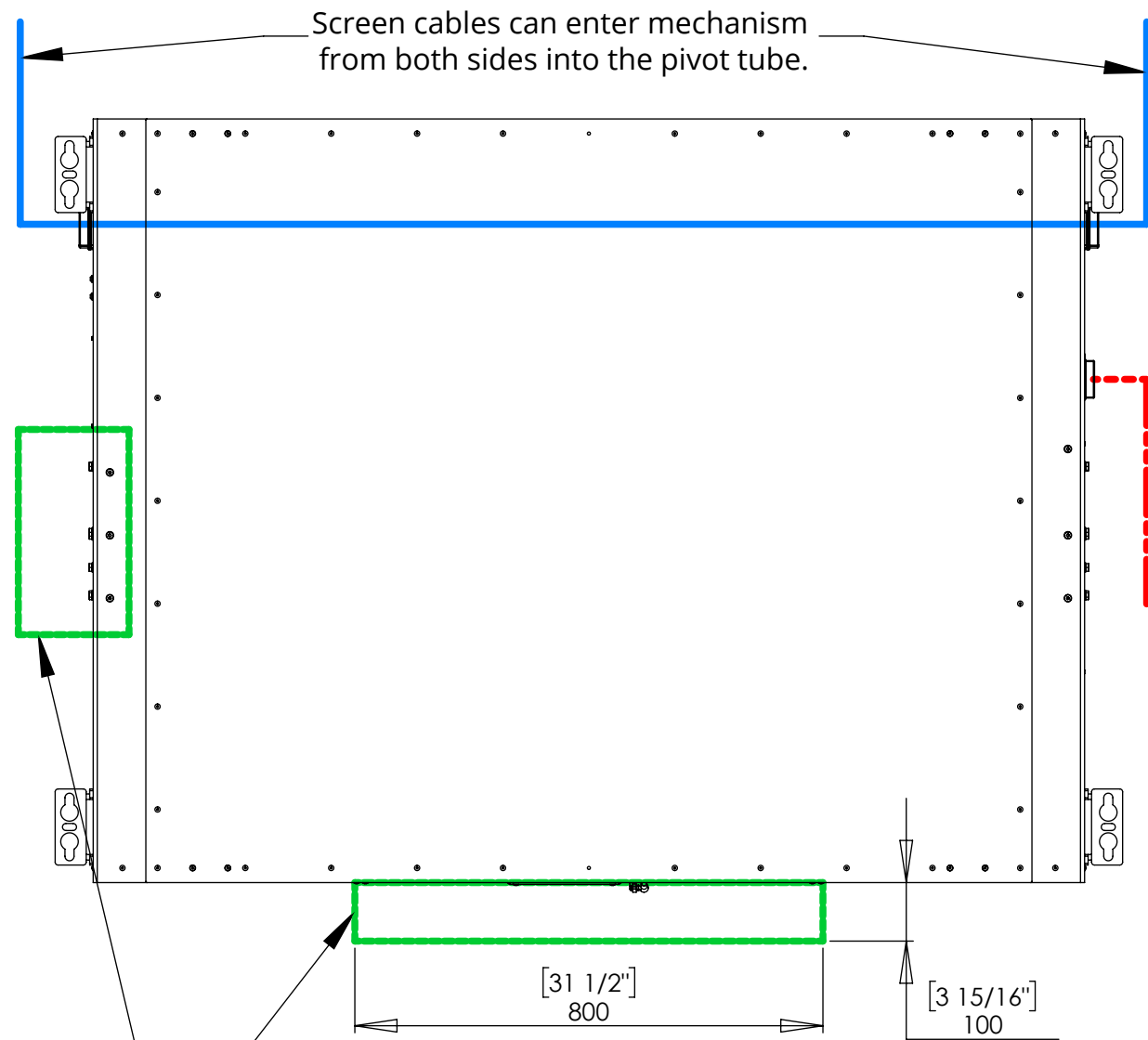
MECHANISM MOUNTING DETAILS



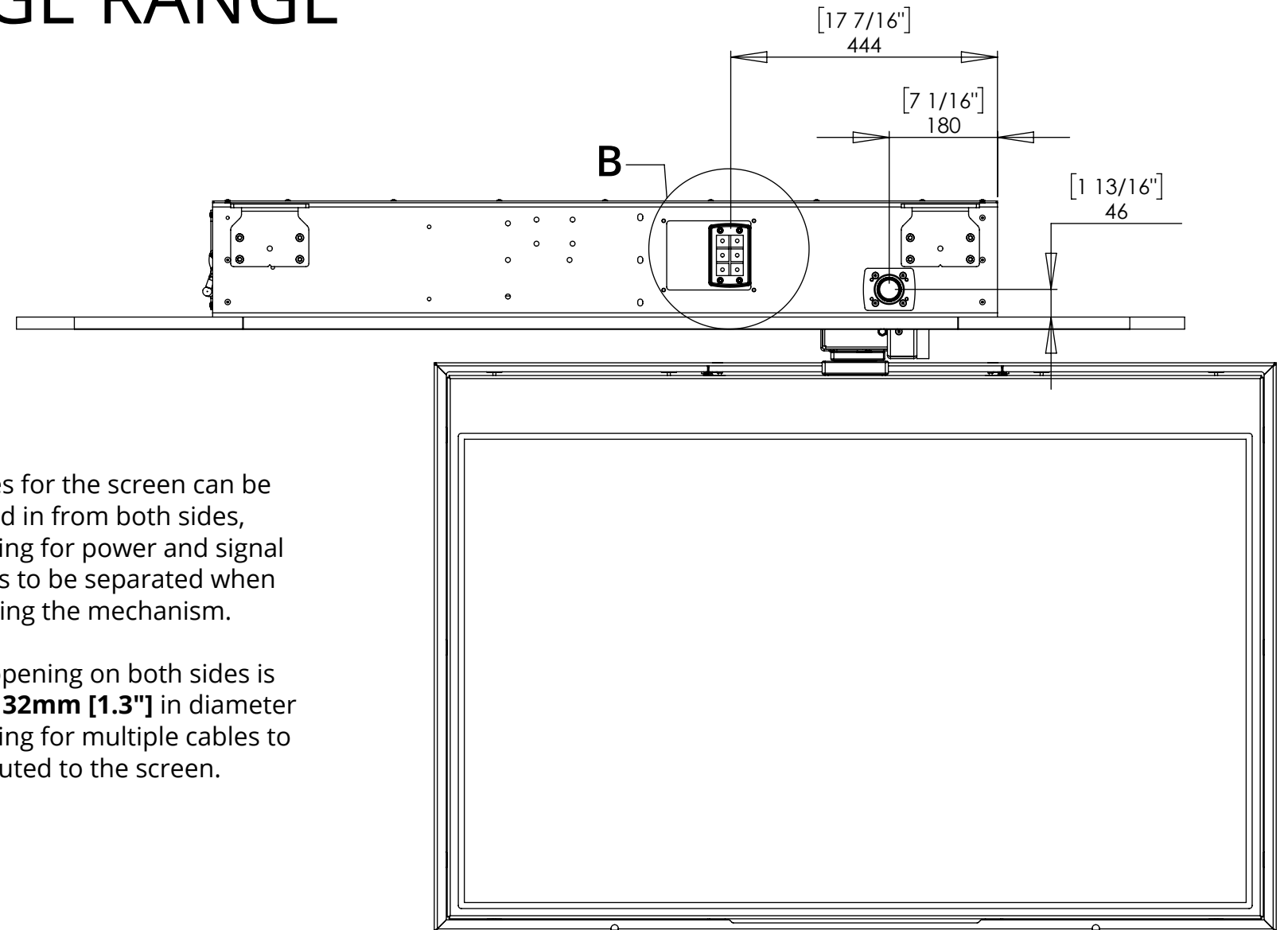
CHRS5-MO

MARINE OUTDOOR CEILING HINGE RANGE WITH SWIVEL

CEILING PREPARATION



- Mechanism Power and Control Cables.
- Screen power and Signal

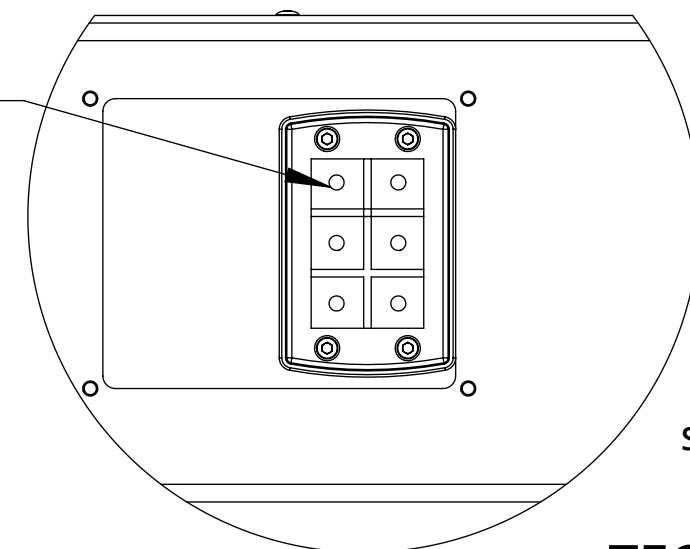


Cables for the screen can be routed in from both sides, allowing for power and signal cables to be separated when entering the mechanism.

The opening on both sides is **MIN. 32mm [1.3"]** in diameter allowing for multiple cables to be routed to the screen.

Cables pass through easily removable cable gland plates into mechanism.

Additional glands to suit different cable sizes are available on request.



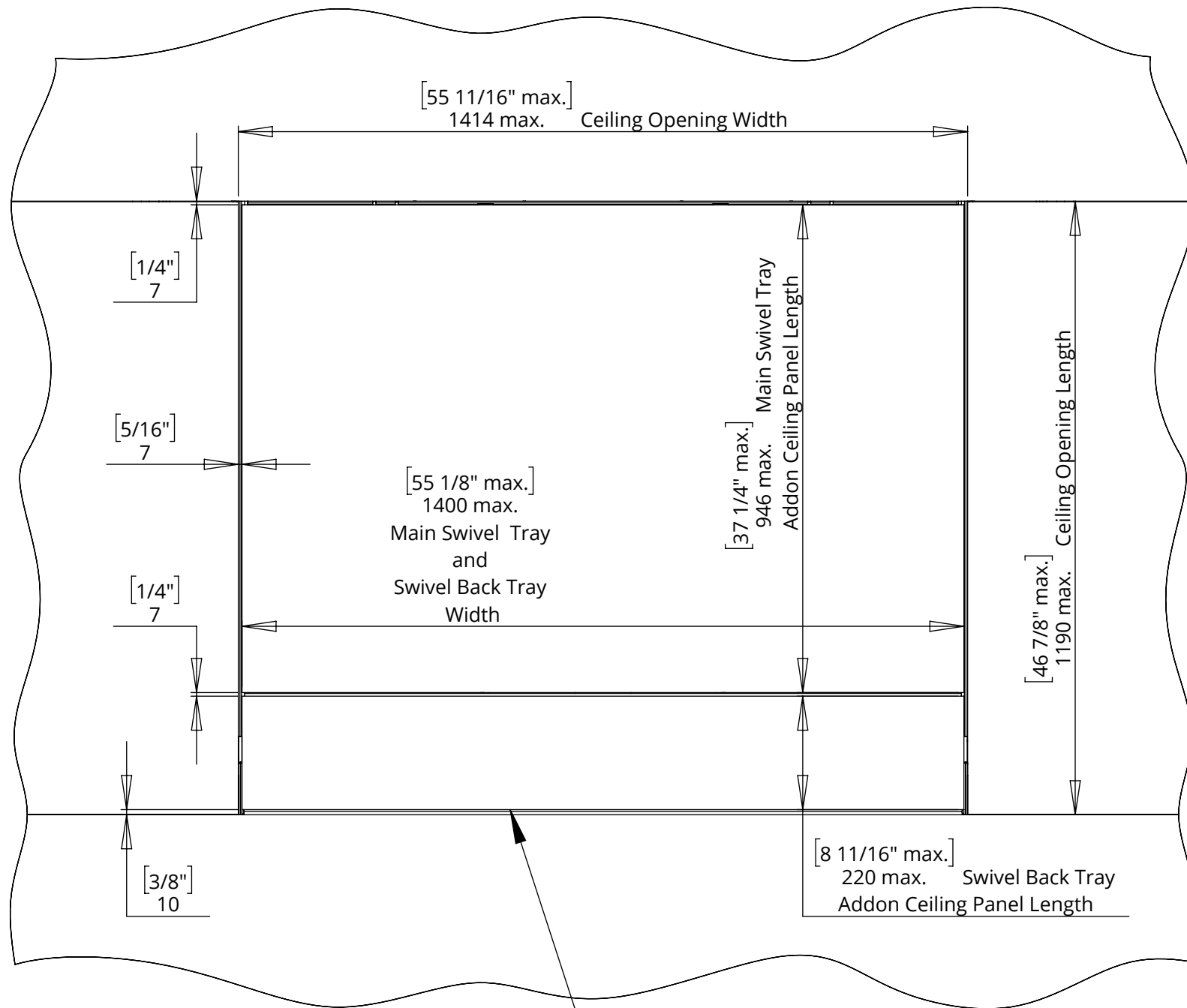
DETAIL B
SCALE 1 : 3



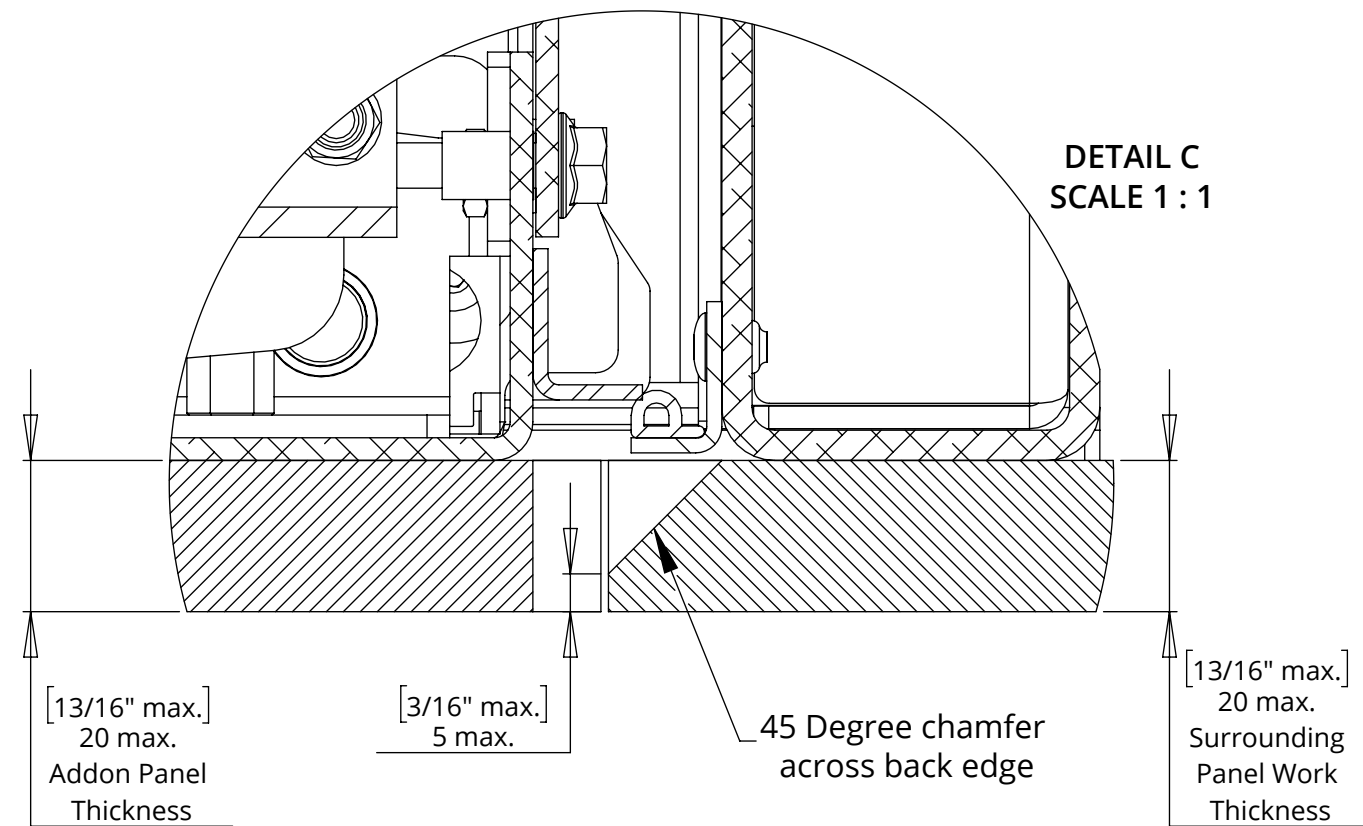
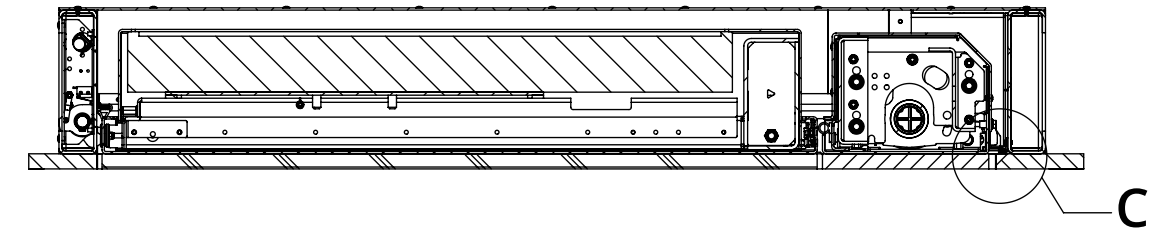
CHRS5-MO

MARINE OUTDOOR CEILING HINGE RANGE WITH SWIVEL

CEILING DETAILS



Mechanism designed to work with min. 7mm [0.3"] shadow gaps at front, sides & between addon panels



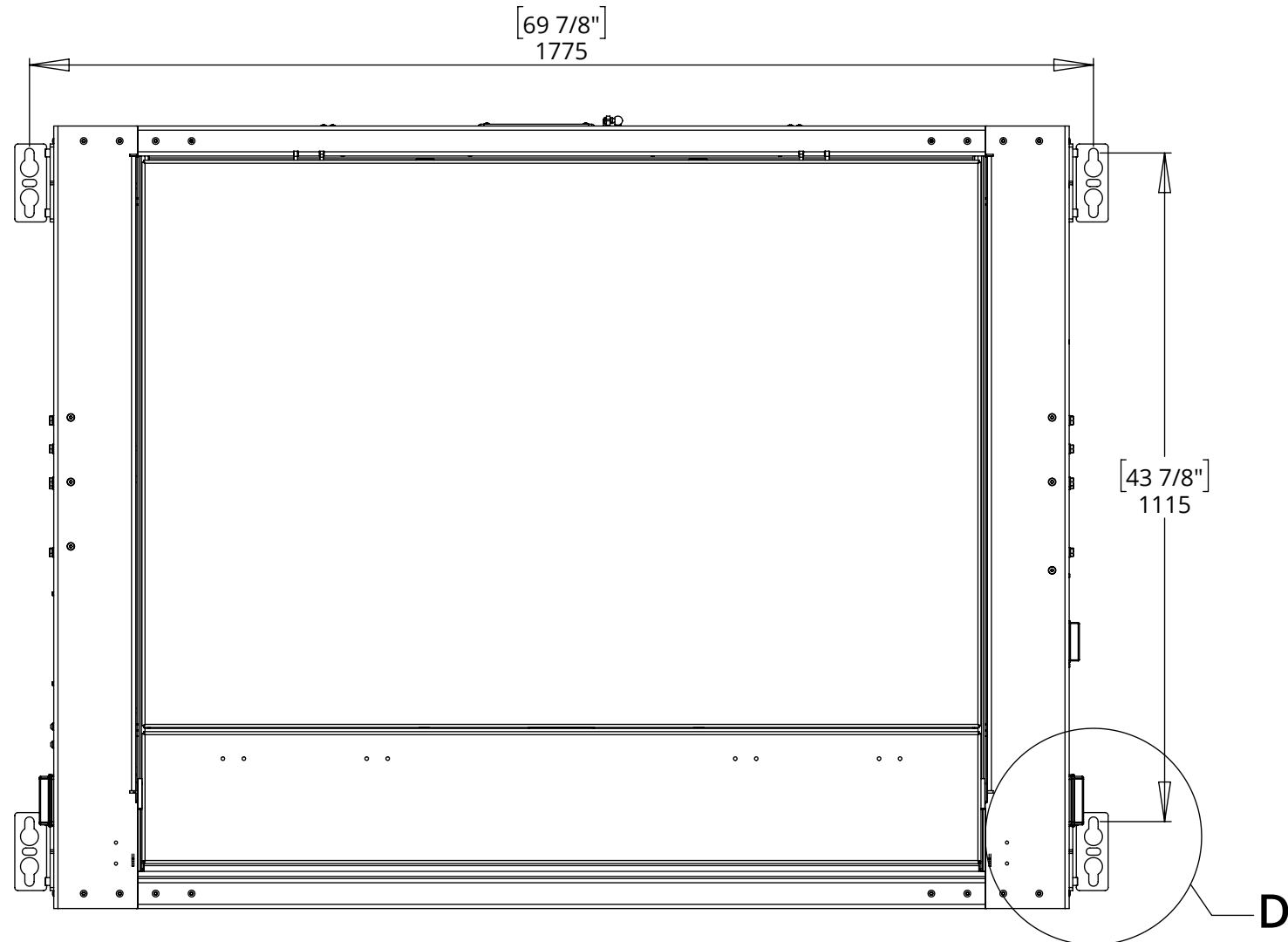
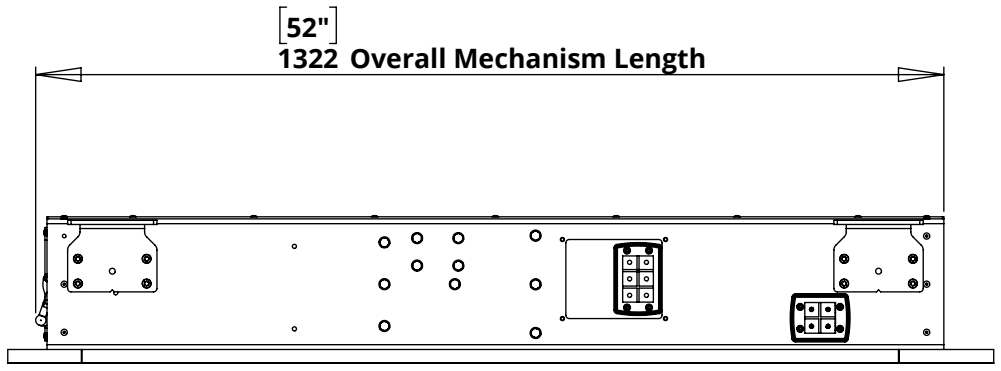
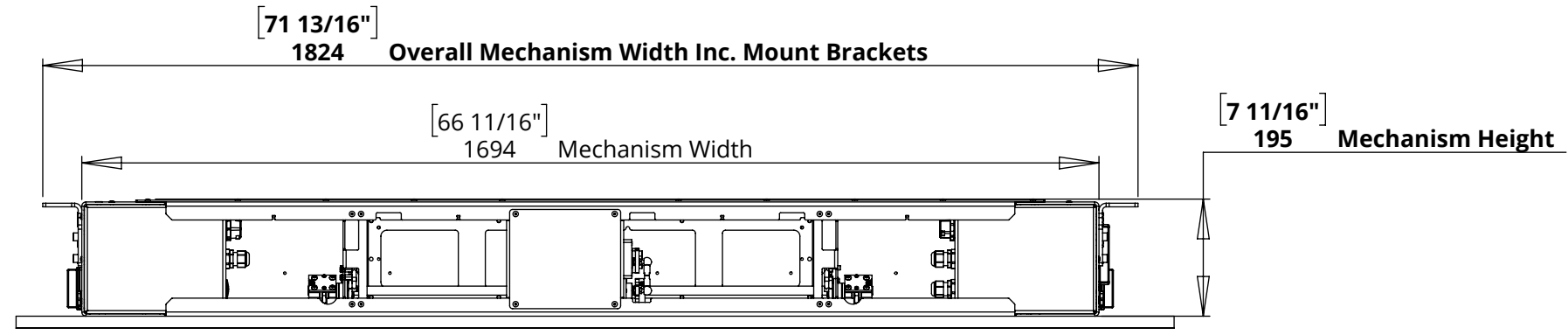
Ensure all panel work is the same thickness.

Weight of all addon panel work must be included in maximum mechanism lifting capacity.

CHRS5-MO

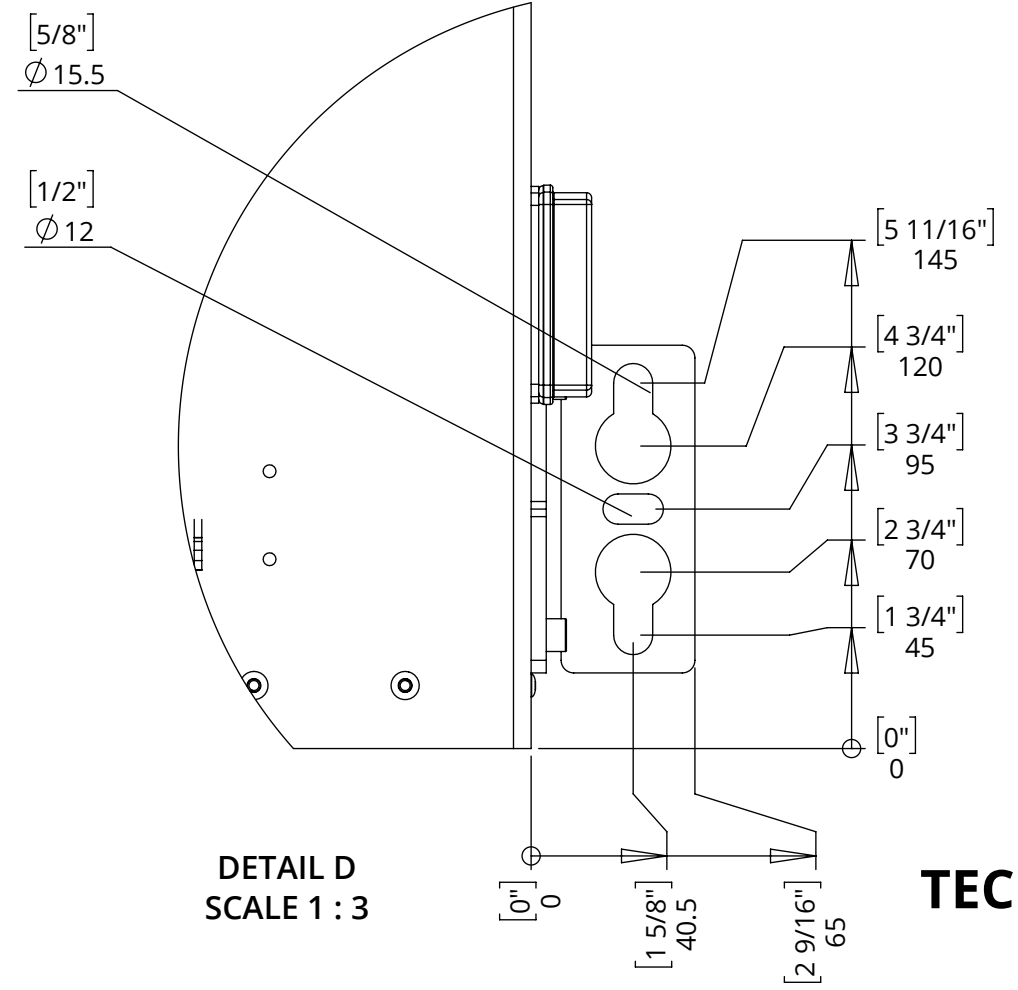
MARINE OUTDOOR CEILING HINGE RANGE WITH SWIVEL

MECHANISM DIMENSIONS - CLOSED



FIXING DETAIL

Mechanism mounted on M12 [0.5] Studding or fixed to underside of the ceiling joist structure, both using the mounting brackets installed on mechanism as standard



DETAIL D
SCALE 1 : 3

TECHNICAL SHEET

ISSUE 004
SHEET 6

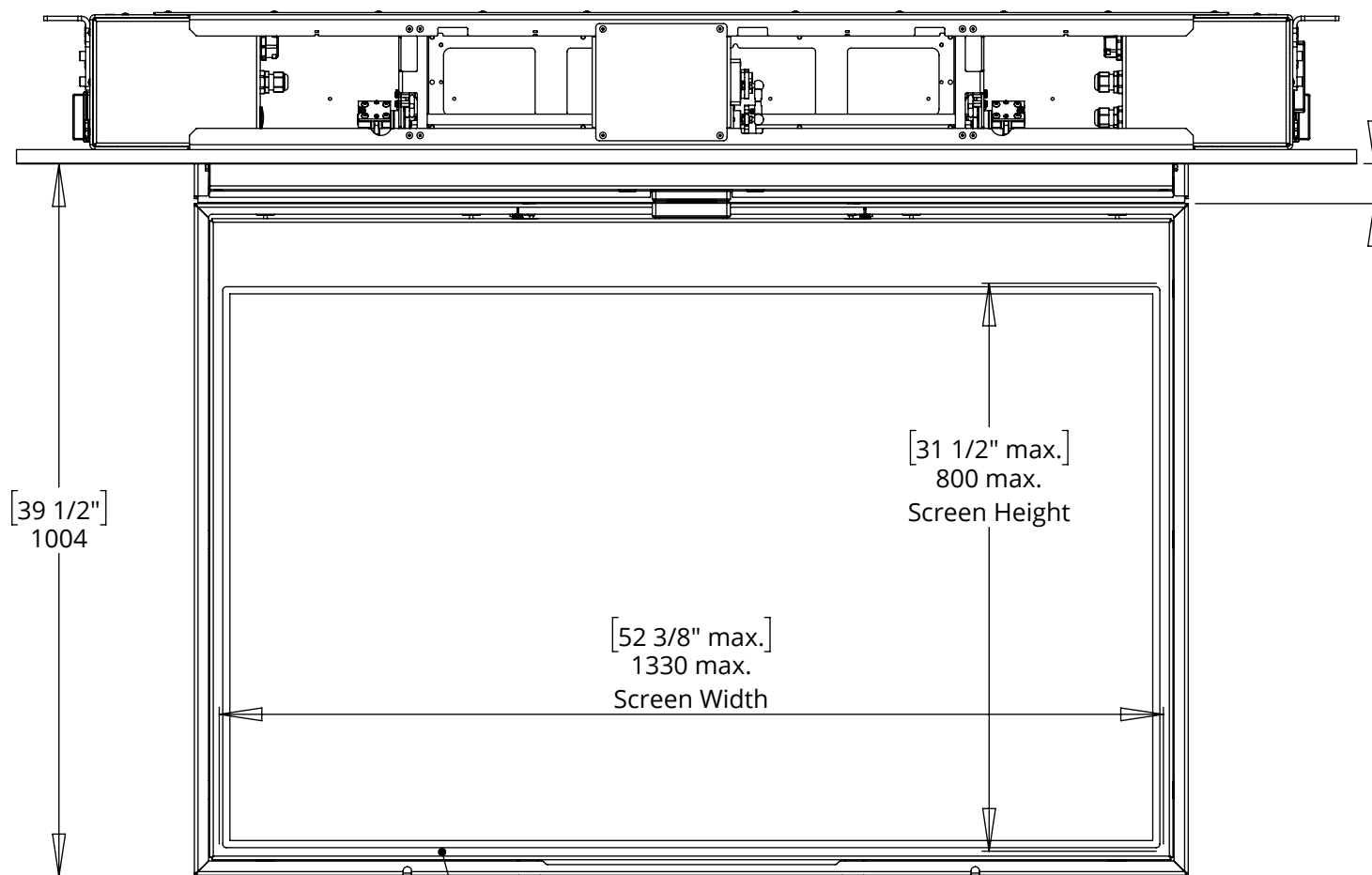
CHRS5-MO

MARINE OUTDOOR CEILING HINGE RANGE WITH SWIVEL

MECHANISM DIMENSIONS - OPEN



future automation



[39 1/2"]
1004

[31 1/2" max.]
800 max.
Screen Height

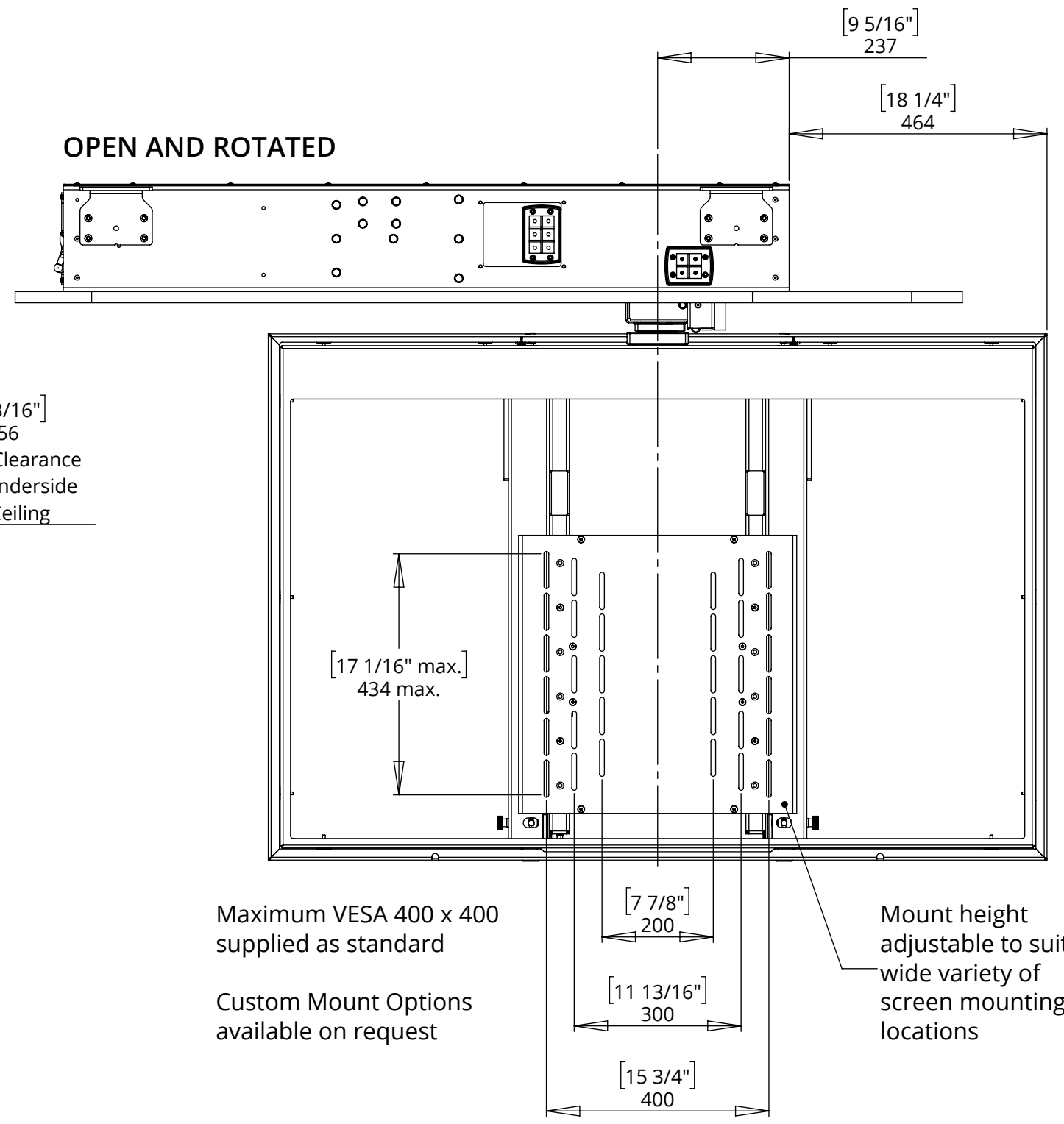
[52 3/8" max.]
1330 max.
Screen Width

Shown with custom screen surround.

Supplied at request, screen details required at point of order.

Screen surround overlaps screen on all edges by 5mm as standard. If required this can be customised to suit.

OPEN AND ROTATED



[9 5/16"]
237

[18 1/4"]
464

[2 3/16"]
56
Swivel Clearance from Underside of Ceiling

[17 1/16" max.]
434 max.

Maximum VESA 400 x 400 supplied as standard

Custom Mount Options available on request

Mount height adjustable to suit wide variety of screen mounting locations

[7 7/8"]
200

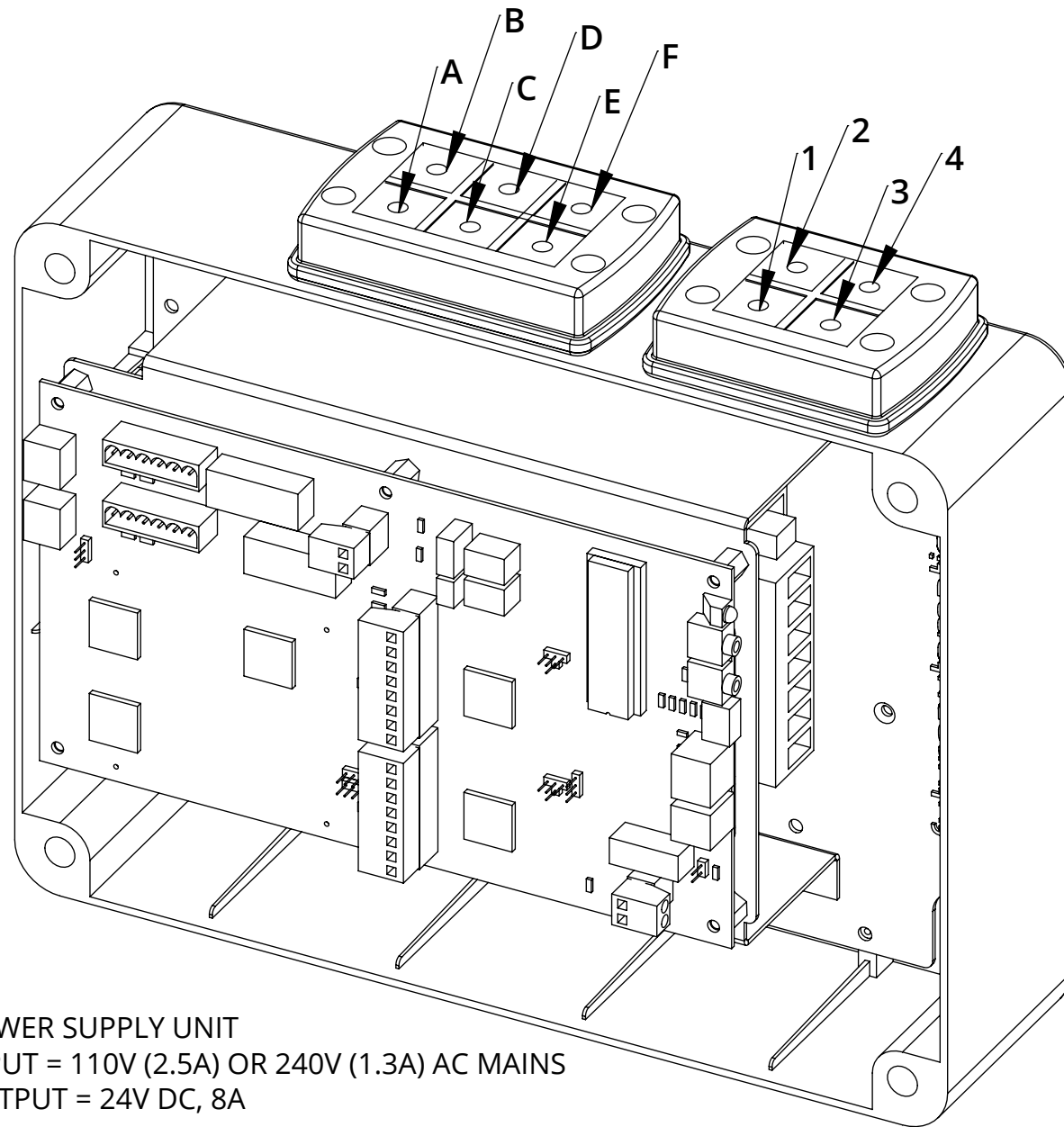
[11 13/16"]
300

[15 3/4"]
400

CHRS5-MO

MARINE OUTDOOR CEILING HINGE RANGE WITH SWIVEL

CONTROL BOX DETAILS



POWER SUPPLY UNIT
 INPUT = 110V (2.5A) OR 240V (1.3A) AC MAINS
 OUTPUT = 24V DC, 8A

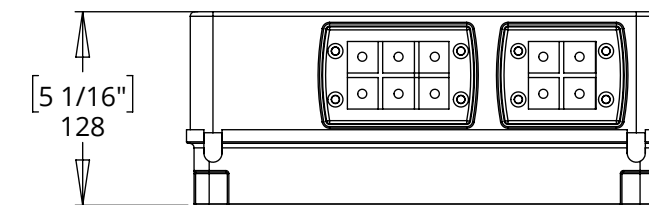
NOTES

- ENCLOSURE IS RATED TO IP56 / GLANDS ARE RATED TO IP66
- ENCLOSURE AND LID FIXINGS ALL MADE FROM GEWISS GW PLAST 75.
- ENCLOSURE MATERIAL SUITABLE FOR TEMPERATURES +60 C TO -25 C.
- POWER SUPPLY UNIT (PSU) WILL ALLOW 110V OR 240V AC INPUT. THE SAME PSU IS USED FOR EU OR US MAINS SUPPLIES.
- OTHER THAN CONTROL CABLES, ALL CABLES TERMINATE AT CONTROL BOARD VIA STANDARD PHOENIX CONNECTORS.
- CABLE LOOM LENGTH SUPPLIED AT APPROX. 3m [118"]. LOOM CAN BE EXTENDED UP TO MAXIMUM OF APPROX. 10m [400"].
- MINIMUM CABLE BEND RADIUS 63.75mm [2.5"].

IP66 Multicable Glands.

Supplied with standard set of glands to suit mechanism control cables.

- | | | |
|----|-------------------------------|---|
| A. | Hinge Motor A + IN / OUT SW | - (1 x 8 core) 8.5mm [0.33"] dia. (EU SPEC: 0.34mm ² US SPEC: 22AWG) |
| B. | BLANK | |
| C. | Swivel Motor Power / Signal | - (1 x 8 core) 8.5mm [0.33"] dia. (EU SPEC: 0.34mm ² US SPEC: 22AWG) |
| D. | BLANK | |
| E. | Marine Catch Power / Signal | - (1 x 8 core) 8.5mm [0.33"] dia. (EU SPEC: 0.34mm ² US SPEC: 22AWG) |
| F. | FA Internal IR Reciever Cable | - 3mm [0.12"] dia. (EU SPEC: 0.12mm ² US SPEC: 25AWG) |
-
- | | | |
|----|---|--|
| 1. | Control Board Power - 3 Core Mains | 6mm [0.25"] dia. (EU SPEC: 0.75mm ² US SPEC: 18AWG) |
| 2. | Cat 5e 8 core - RS232 interface | 5mm [0.2"] dia.(EU SPEC: 0.2mm ² US SPEC: 24AWG) |
| 3. | Cat 5e 8 core - Contact Closure interface | 5mm [0.2"] dia.(EU SPEC: 0.2mm ² US SPEC: 24AWG) |
| 4. | FA IR Receiver Cable | 3mm [0.12"] dia.(EU SPEC: 0.12mm ² US SPEC: 25AWG) |



Supplied with 3M [10'] loom as standard

