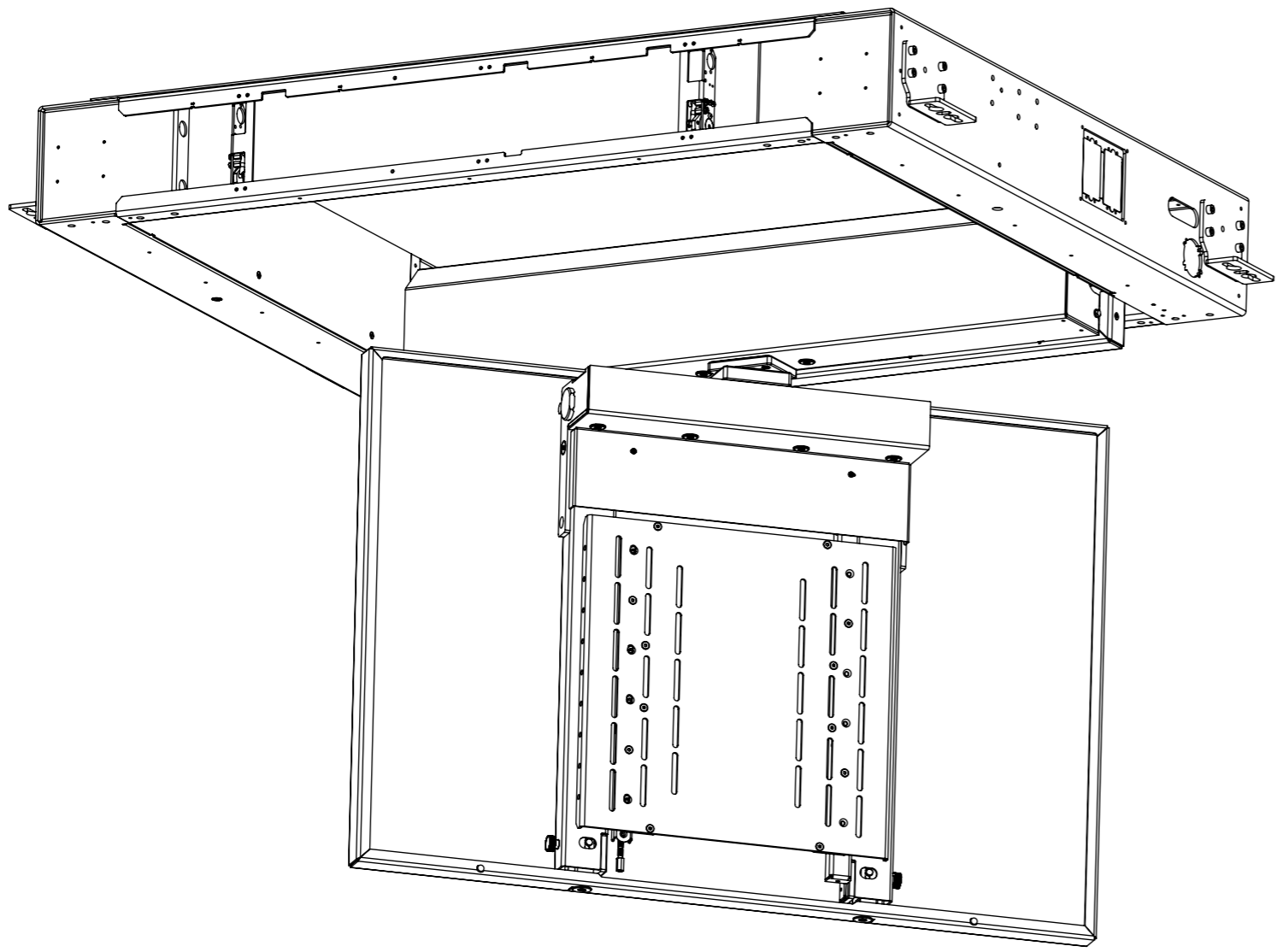
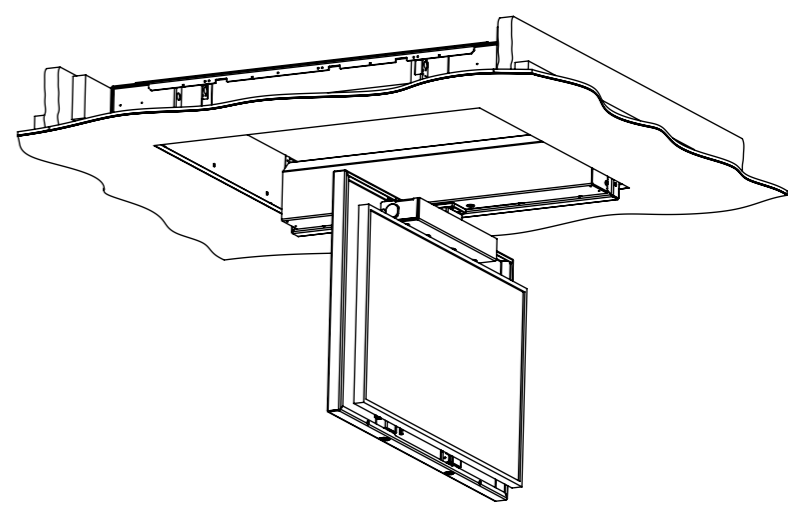
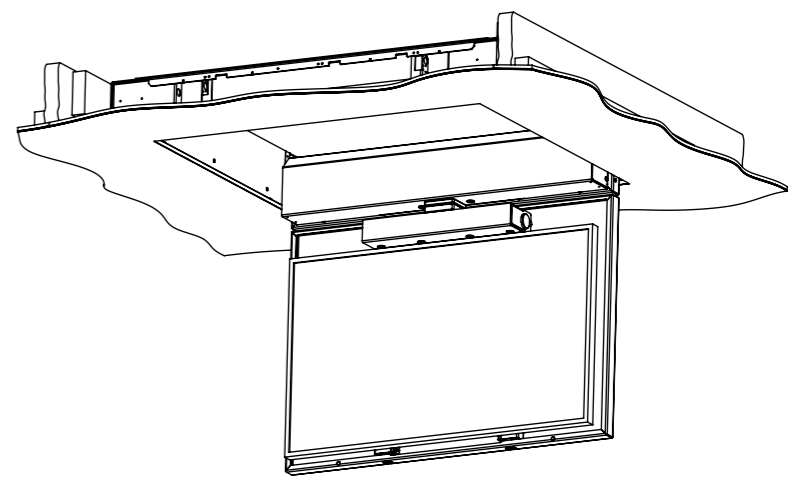
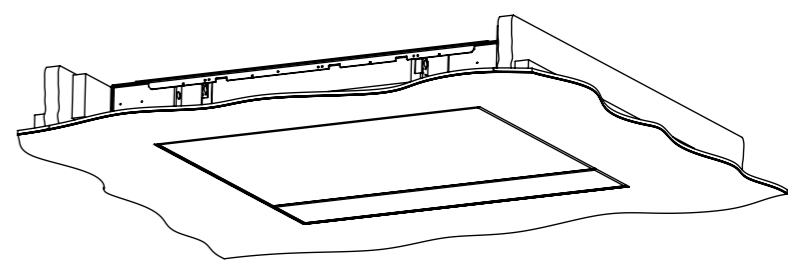


# CHRS4-RES

## RESIDENTIAL CEILING HINGE RANGE WITH SWIVEL



MECHANISM AS SUPPLIED



# CHRS4-RES

## RESIDENTIAL CEILING HINGE RANGE WITH SWIVEL



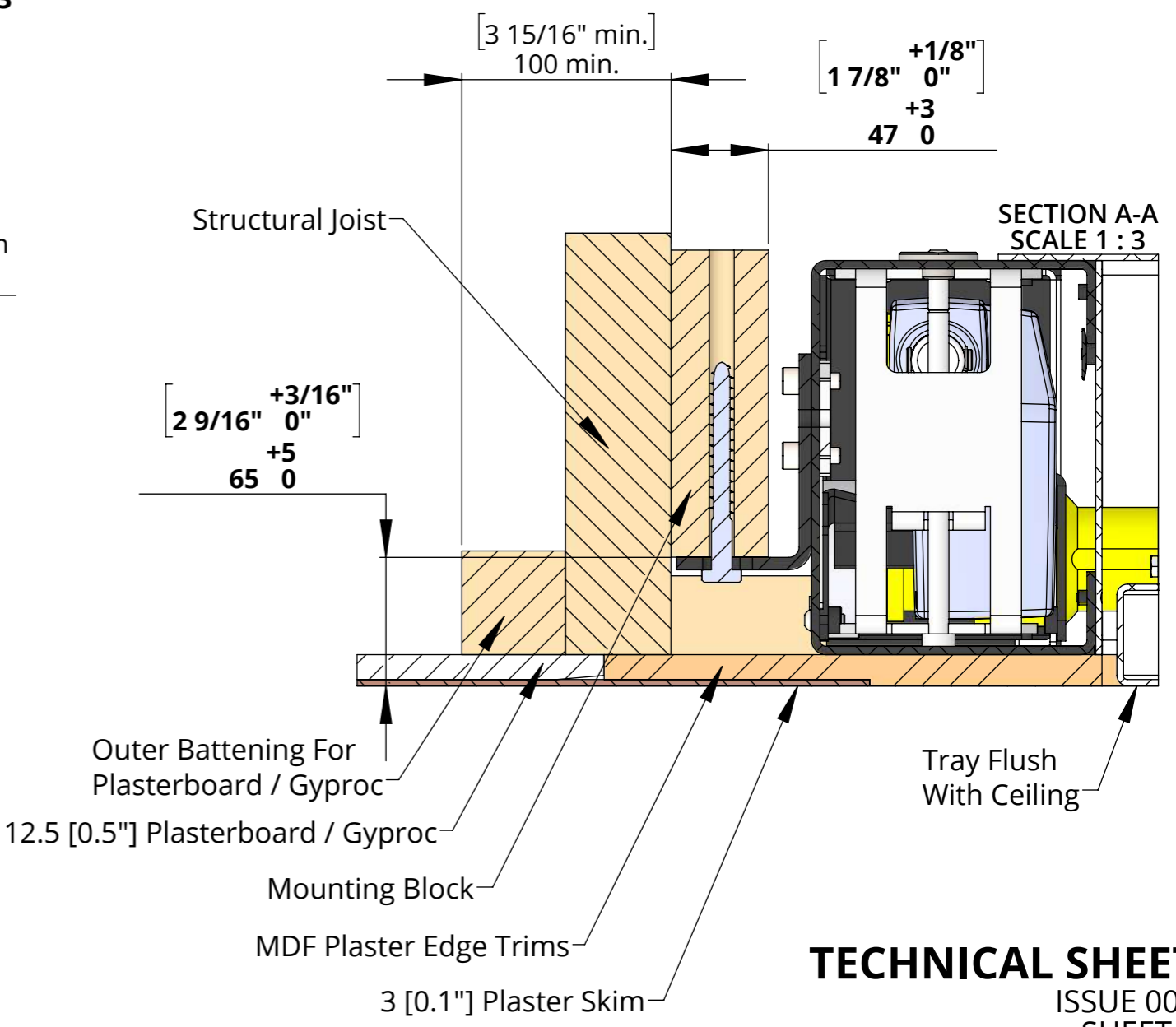
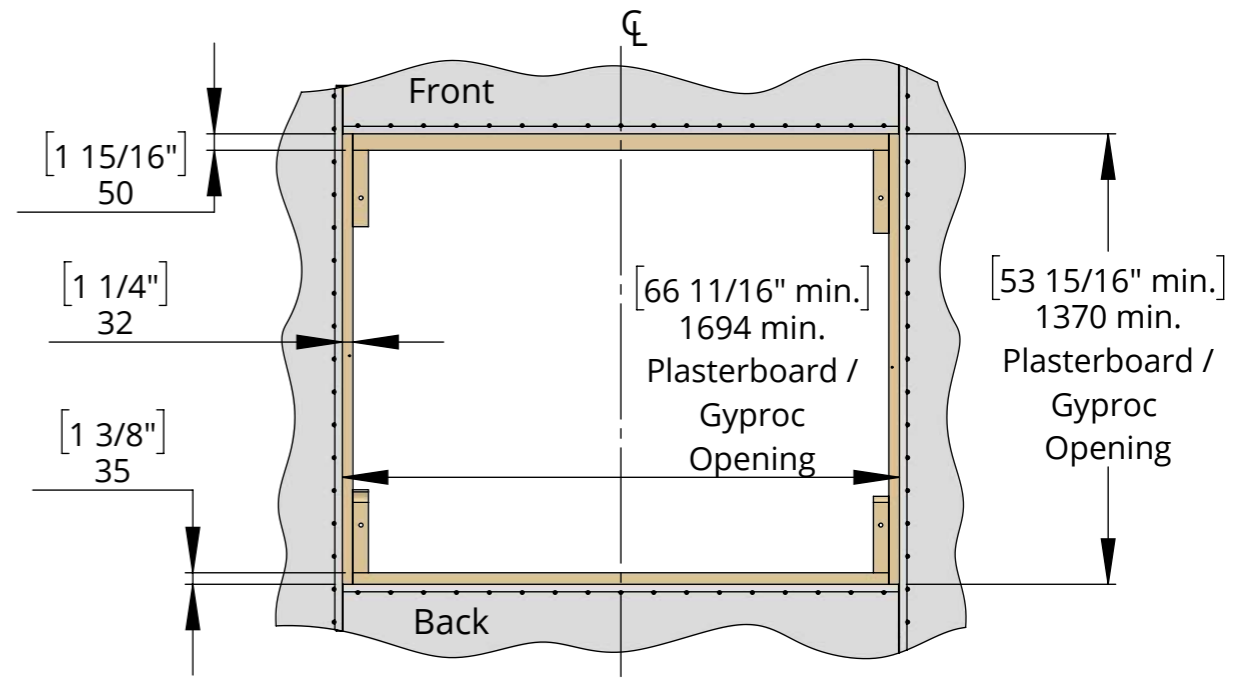
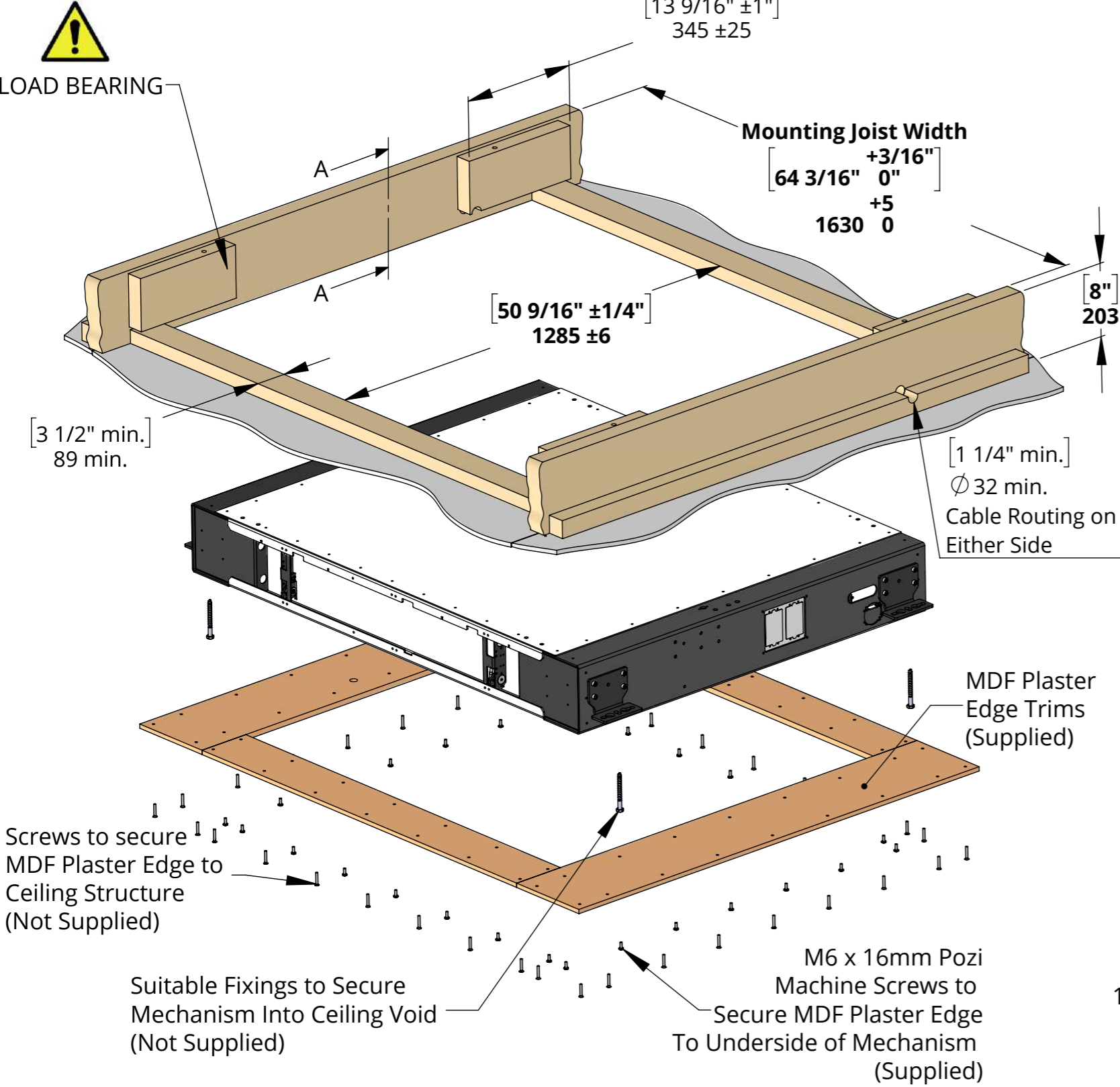
future automation

SPECIFICATION	MEASUREMENTS
Product Dimensions	1624mm [63 15/16"] W x 1185mm [46 10/16"] L x 210mm [8 4/16"] D
Product Weight	130Kg [287lb]
Maximum Screen Size	1130mm [44 8/16"] W x 680mm [26 12/16"] L x 100mm [3 15/16"] D
Maximum Weight Capacity	45Kg [99lb] Max. <i>*Assuming Screen Weight Biased Low (3/4 Screen Height)</i>
Packaging Dimensions	1660mm [65 6/16"] W x 1360mm [53 9/16"] L x 440mm [17 5/16"] D
Shipping Weight	199Kg [439lb]
Maximum Rotation	90° on Hinge, 180° CW and CCW on Swivel
Movement Type	Motorised
Control System	Housed Internally - Accessible by Internal Access Hatch
Power Supply Required	110V - 240V AC 50/60Hz
Power Consumption Max.	720W
Power Consumption Standby	3W
Mounting Patterns Supported	VESA 400, 300, 200 W x 400, 300, 200 H
Control Options	IR Remote, RS232, Contact Closure
Product Options / Features	Specific B&O and Loewe mounts / adapters, Custom RAL paint finishes, Marine suitable version
Package Contents	Mechanism, IR remote control
Environment	Residential / Commercial
Colour	WHITE - RAL9910 Satin Finish
Marine Suitable	No - Marine Indoor and Outdoor Versions Available

# CHRS4-RES

## RESIDENTIAL CEILING HINGE RANGE WITH SWIVEL

### OPTION 1 - FIXING TO WOODEN BEAMS



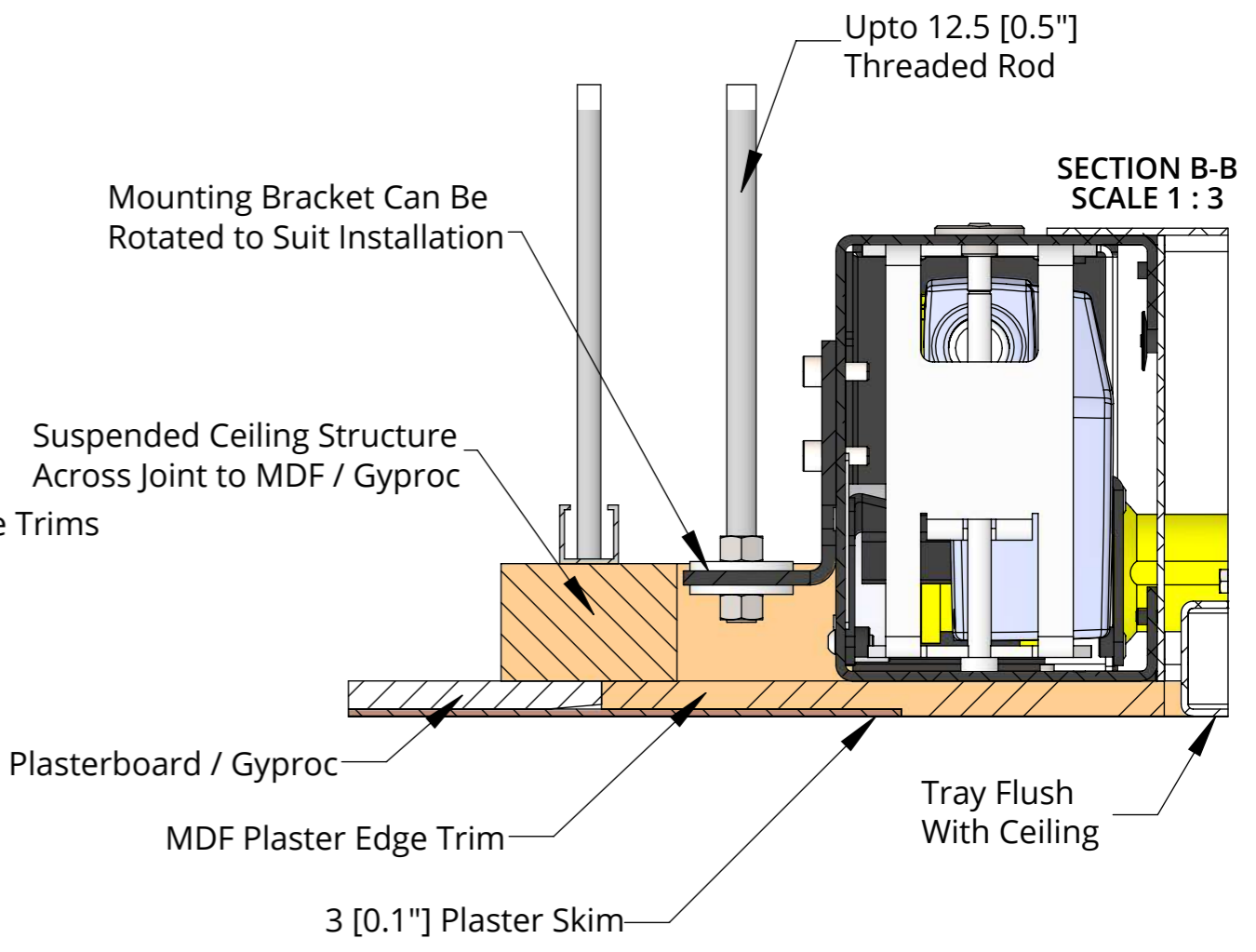
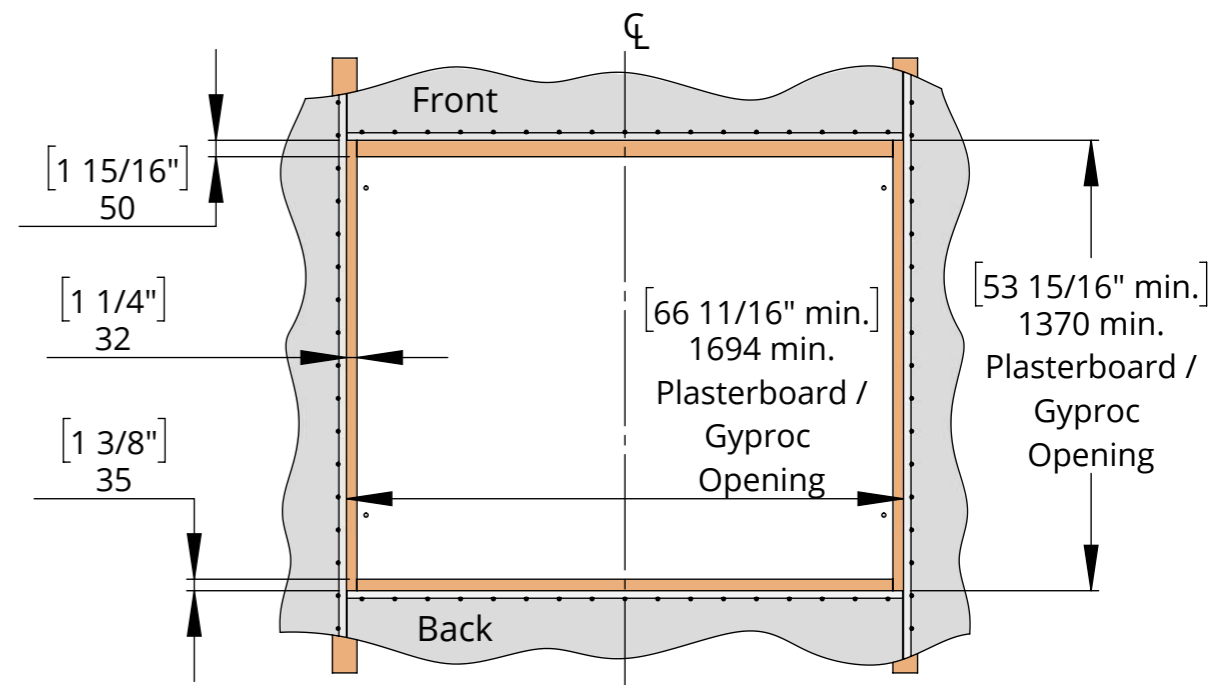
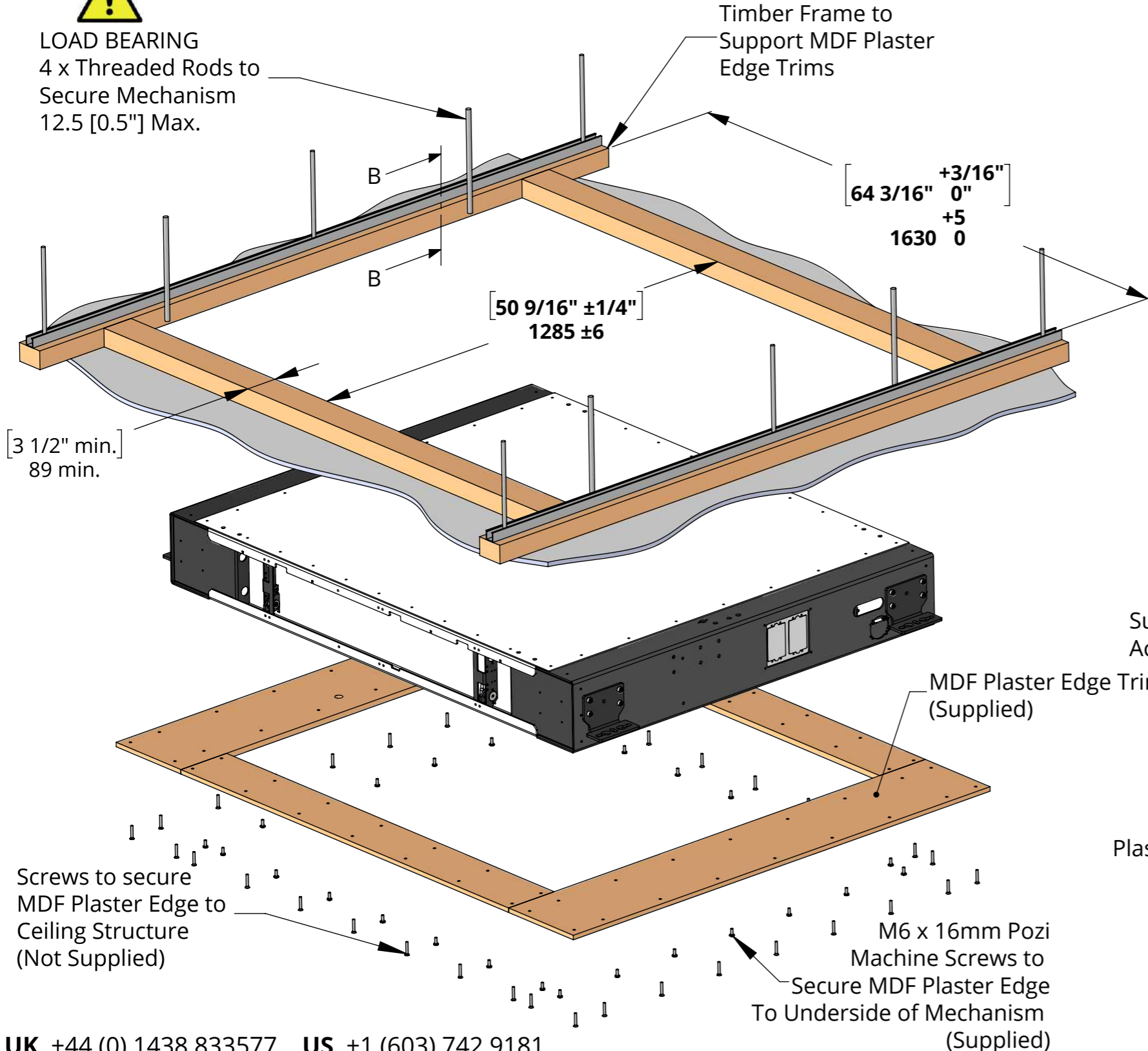
# CHRS4-RES

## RESIDENTIAL CEILING HINGE RANGE WITH SWIVEL

### OPTION 2 - FIXING INTO SUSPENDED CEILING



**LOAD BEARING**  
4 x Threaded Rods to Secure Mechanism  
12.5 [0.5"] Max.



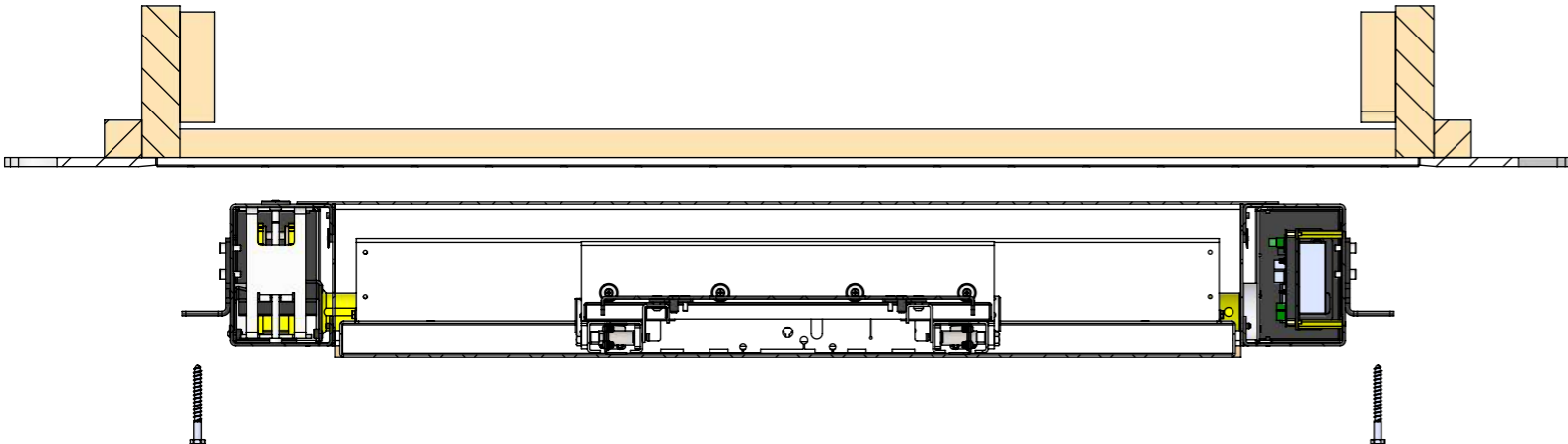
# CHRS4-RES

## RESIDENTIAL CEILING HINGE RANGE WITH SWIVEL

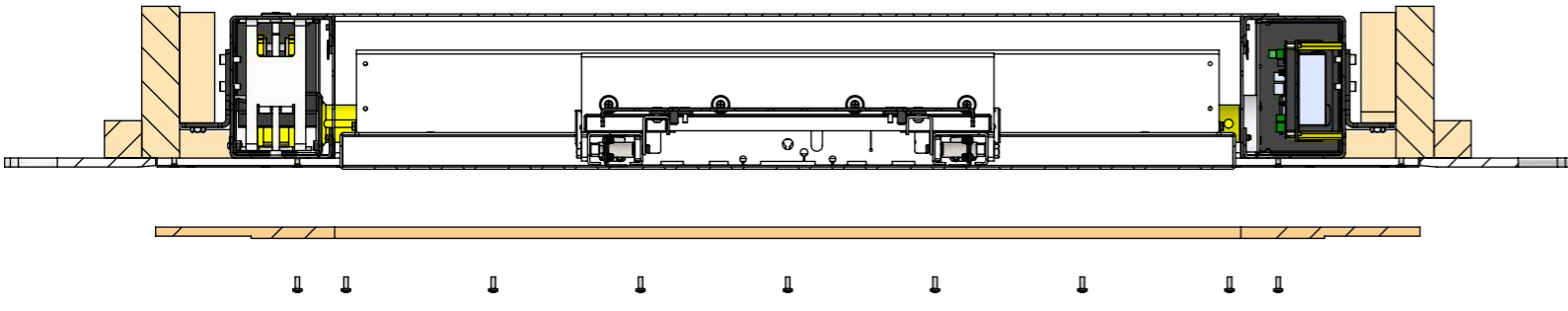
### INSTALLATION PRECEDURE

THE INSTALLATION PROCEDURE IS CARRIED OUT IN THE SAME WAY FOR OPTION 1 OR OPTION 2

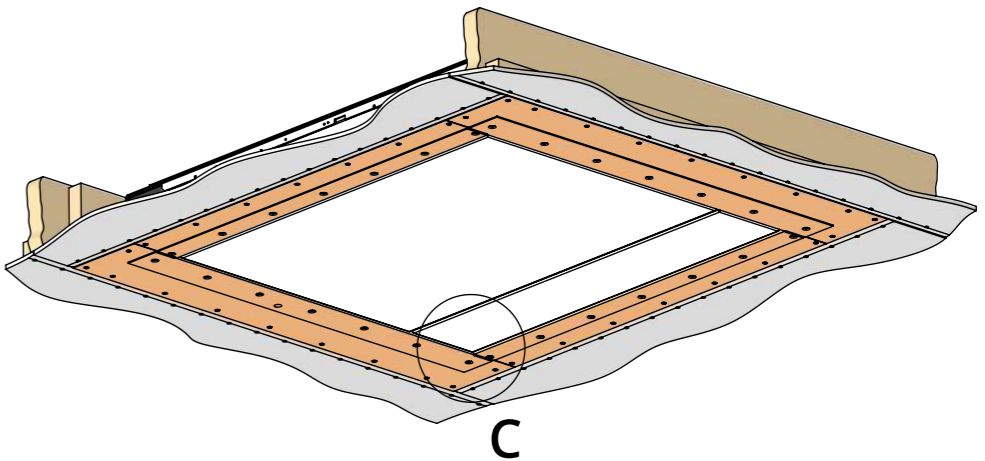
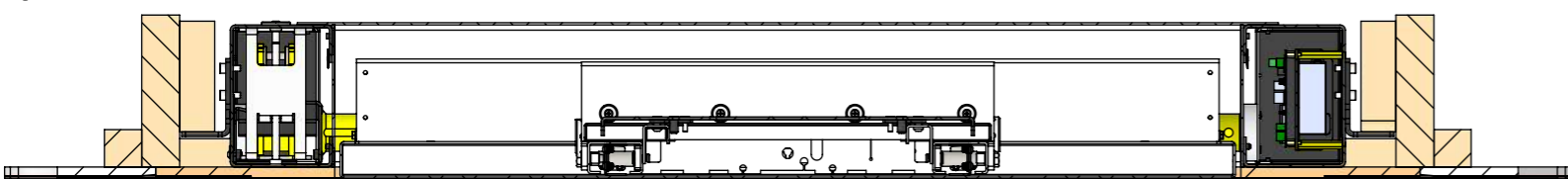
#### 1. MECHANISM INSTALLATION



#### 2. MDF PLASTER TRIM INSTALLATION



#### 3. PLASTERING



28 No. OFF  
SS M6 x 16MM  
POZI (SUPPLIED)

7mm [1/4"]  
Shadow Gap  
Around Tray

36 No.OFF  
MDF SCREW  
(NOT SUPPLIED)

DETAIL C  
SCALE 1 : 3

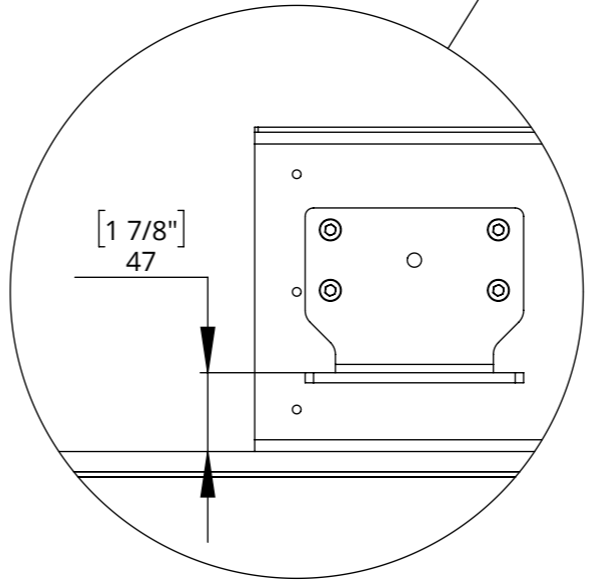
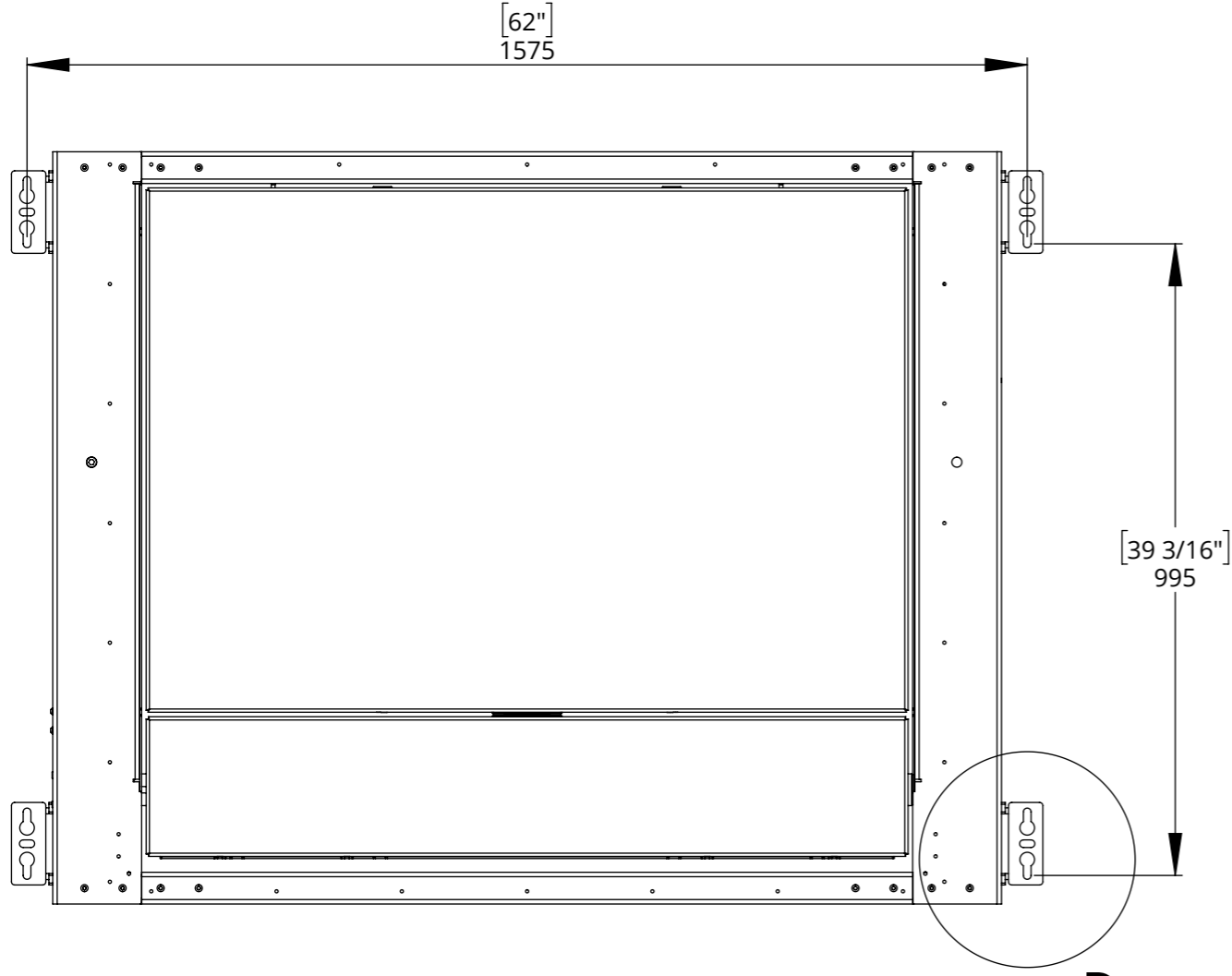
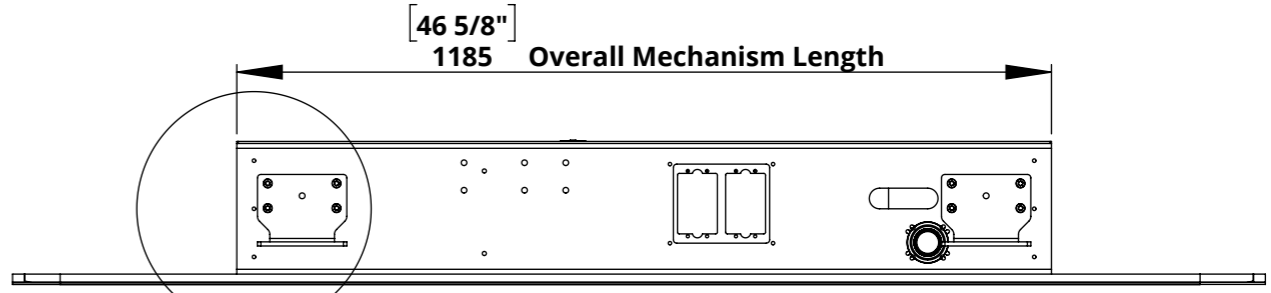
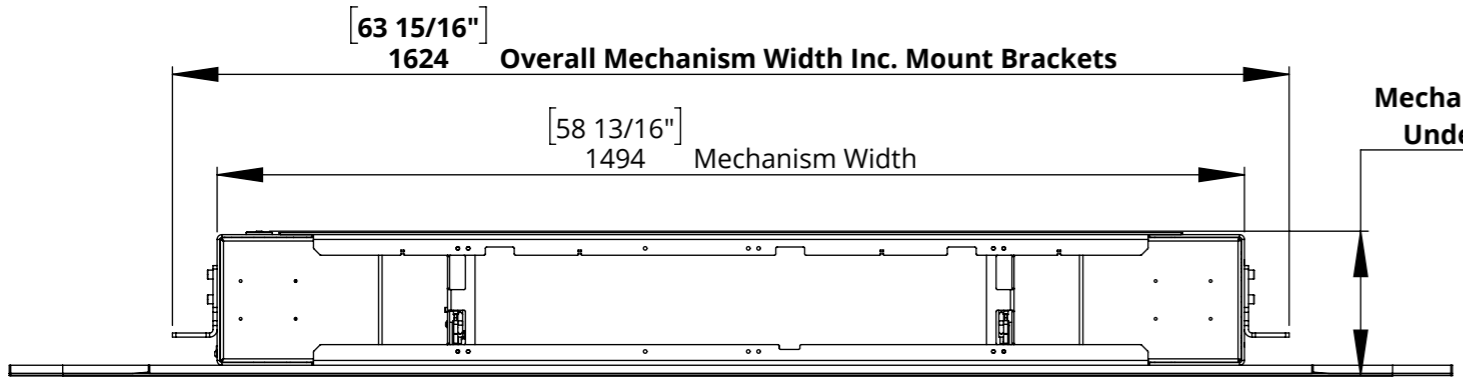
# CHRS4-RES

## RESIDENTIAL CEILING HINGE RANGE WITH SWIVEL

### MECHANISM DIMENSIONS - CLOSED

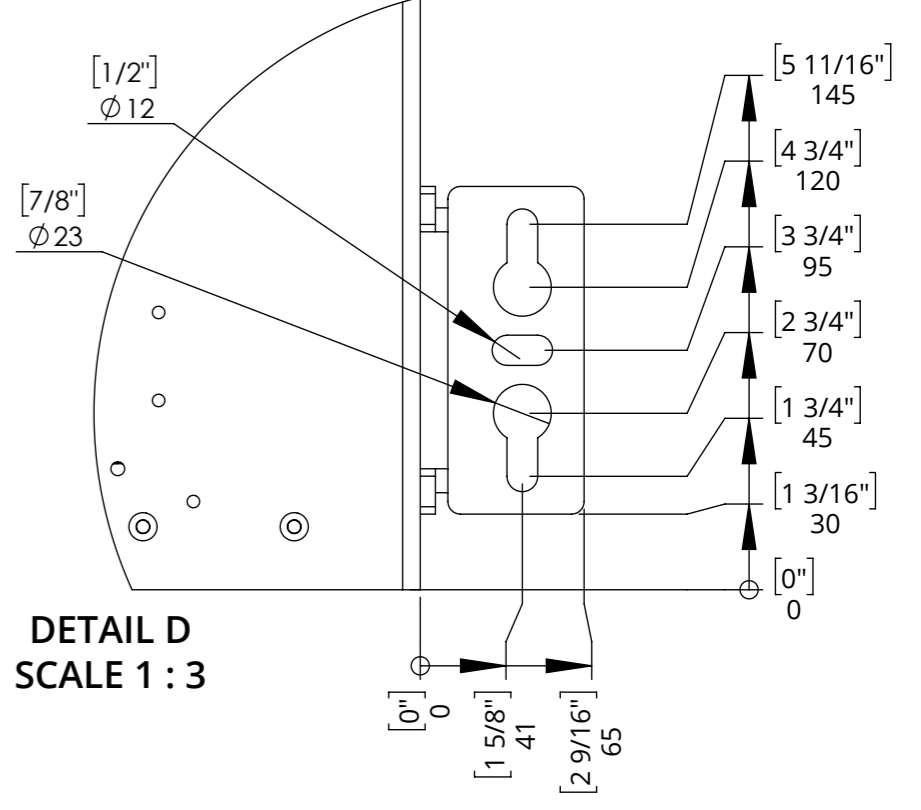


future automation



#### FIXING DETAIL

Mechanism mounted on M12 [0.5] Studding or fixed to underside of the ceiling joist structure, both using the mounting brackets installed on mechanism as standard



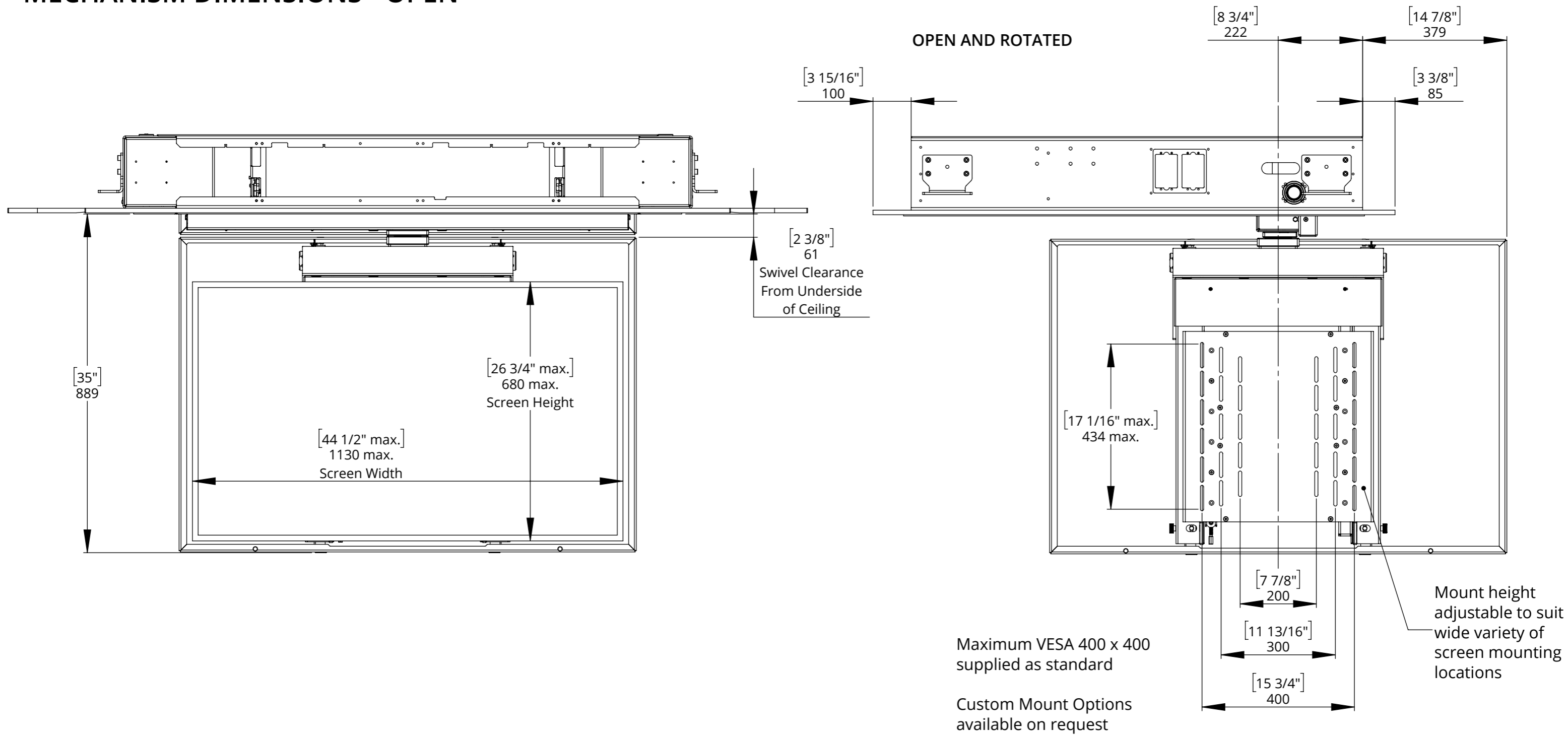
DETAIL D  
SCALE 1 : 3

D

# CHRS4-RES

## RESIDENTIAL CEILING HINGE RANGE WITH SWIVEL

### MECHANISM DIMENSIONS - OPEN

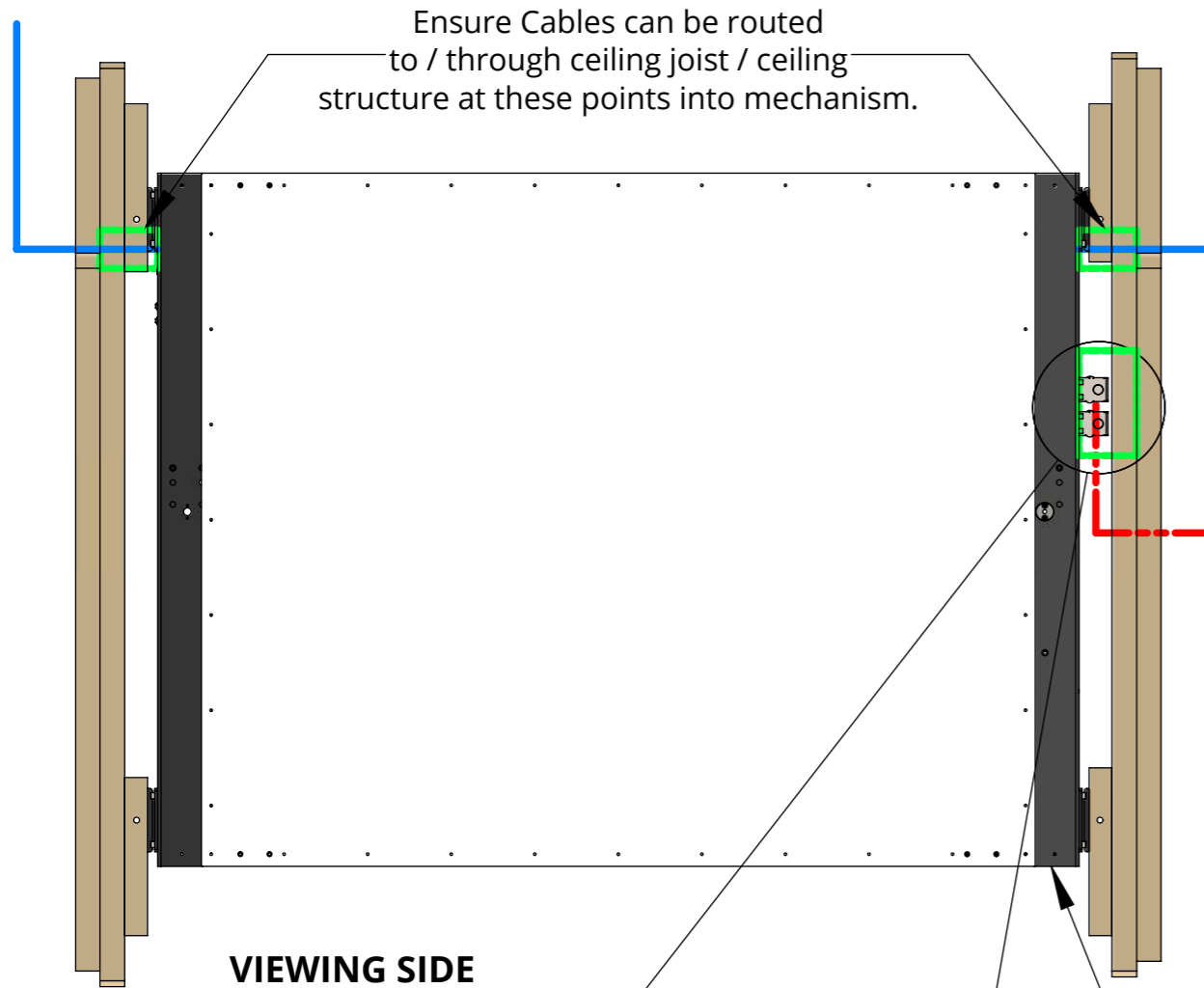


# CHRS4-RES

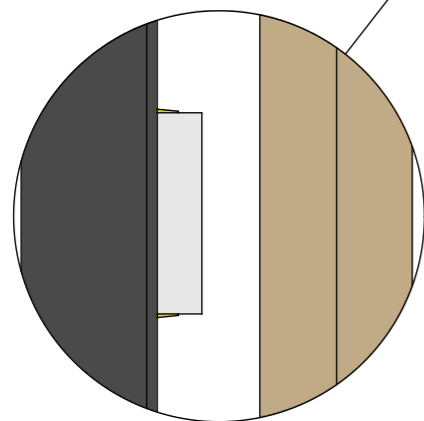
## RESIDENTIAL CEILING HINGE RANGE

### WITH SWIVEL

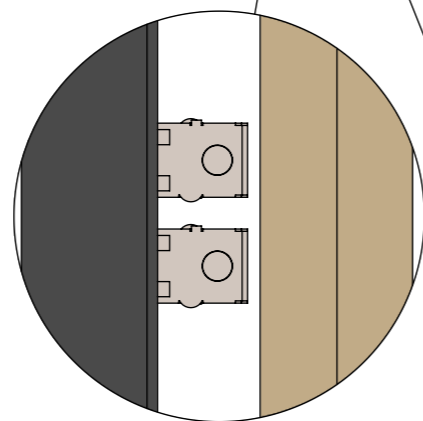
#### CEILING PREPARATION



VIEWING SIDE



UK 2G Mains Plasterboard Back Box



2 No. US J-Box

- AV Signal Cables / Mechanism Control Cables
- - - Power Cable for Mechanism and AV

#### Cable Routing

Cables for the screen can be routed in from both sides, allowing for power and signal cables to be separated when entering the mechanism.

The opening on both sides is MIN. 32mm [1.3"] in diameter allowing for multiple cables to be routed to the screen.

A power outlet mounting plate is supplied in the right hand gearbox allowing for UK and US power outlets to be wired directly into the mechanism.

Mechanism control system housed internally on this side. Accessible from removable internal access hatch.

