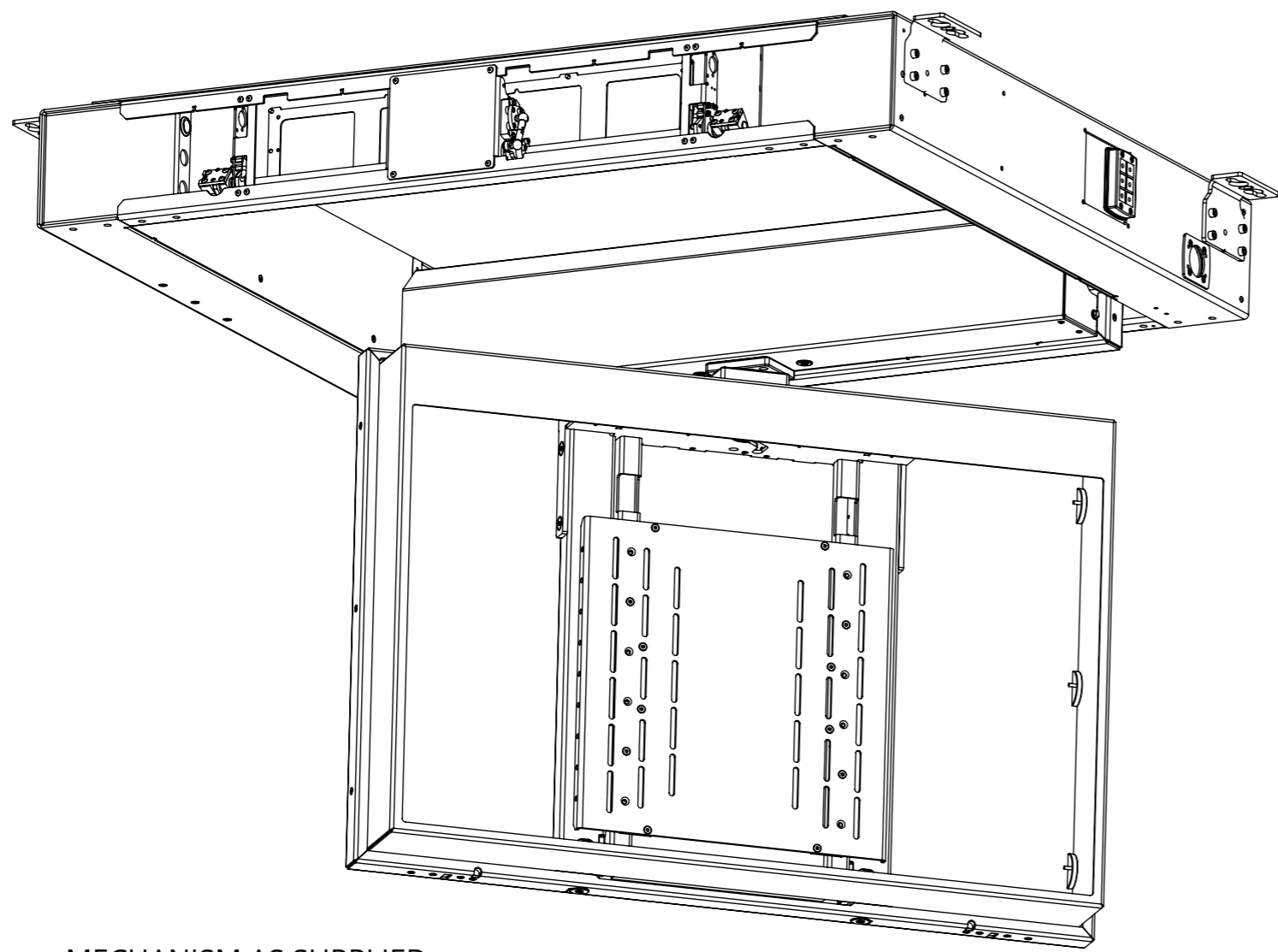
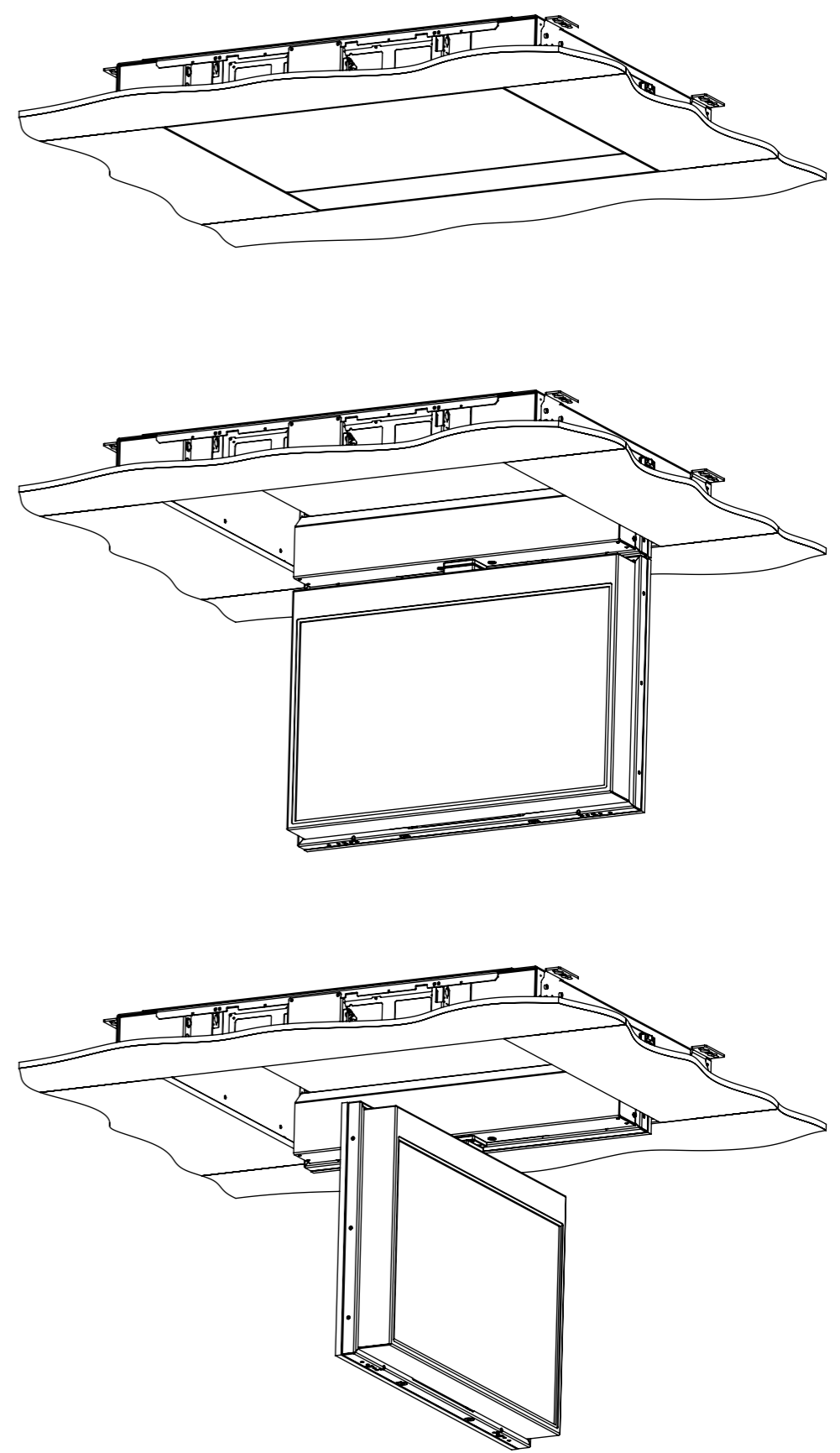


CHRS4-M

MARINE INDOOR CEILING HINGE RANGE WITH SWIVEL



MECHANISM AS SUPPLIED



CHRS4-M

MARINE INDOOR CEILING HINGE RANGE WITH SWIVEL



future automation

SPECIFICATION	MEASUREMENTS
Product Dimensions	1624mm [63 15/16"] W x 1202mm [47 5/16"] L x 195mm [7 11/16"] D
Product Weight	145Kg [320lb]
Maximum Screen Size (≤70mm D)	1130mm [44 1/2 "] W x 680mm [26 3/4 "] L x 70mm [2 3/4 "] D
Maximum Screen Size (>70mm D)	1130mm [44 1/2 "] W x 650mm [25 9/16"] L x 95mm [3 3/4 "] D
Maximum Weight Capacity	45Kg [99lb] Max. - Inc 10Kg [22lb] Max. Addon Ceiling Panel Main Hinge & 5Kg [11lb] Max. Addon Ceiling Panel Swivel Back Tray <i>*Assuming Screen Weight Biased Low (3/4 Screen Height)</i>
Packaging Dimensions	1670mm [65 3/4 "] W x 1360mm [53 9/16"] L x 440mm [17 5/16"] D
Shipping Weight	200Kg [441lb]
Maximum Rotation	90° on Hinge 180° CW and CCW on Swivel
Movement Type	Motorised
Control System	Housed internally - Accessible through internal access hatch.
Power Supply Required	110V - 240V AC 50-60hz
Power Consumption Max.	720W
Power Consumption Standby	3W
Mounting Patterns Supported	VESA 400, 300, 200 W x 400, 300, 200 H
Control Options	IR Remote, RS232, Contact Closure
Product Options / Features	Specific B&O and Loewe mounts / adapters, Custom RAL paint finishes, Marine suitable version
Package Contents	Mechanism, IR remote control
Environment	Marine Indoor
Colour	WHITE - RAL9910 Satin Finish
Marine Suitable	Yes - Marine Locks for secure stowing when not in use

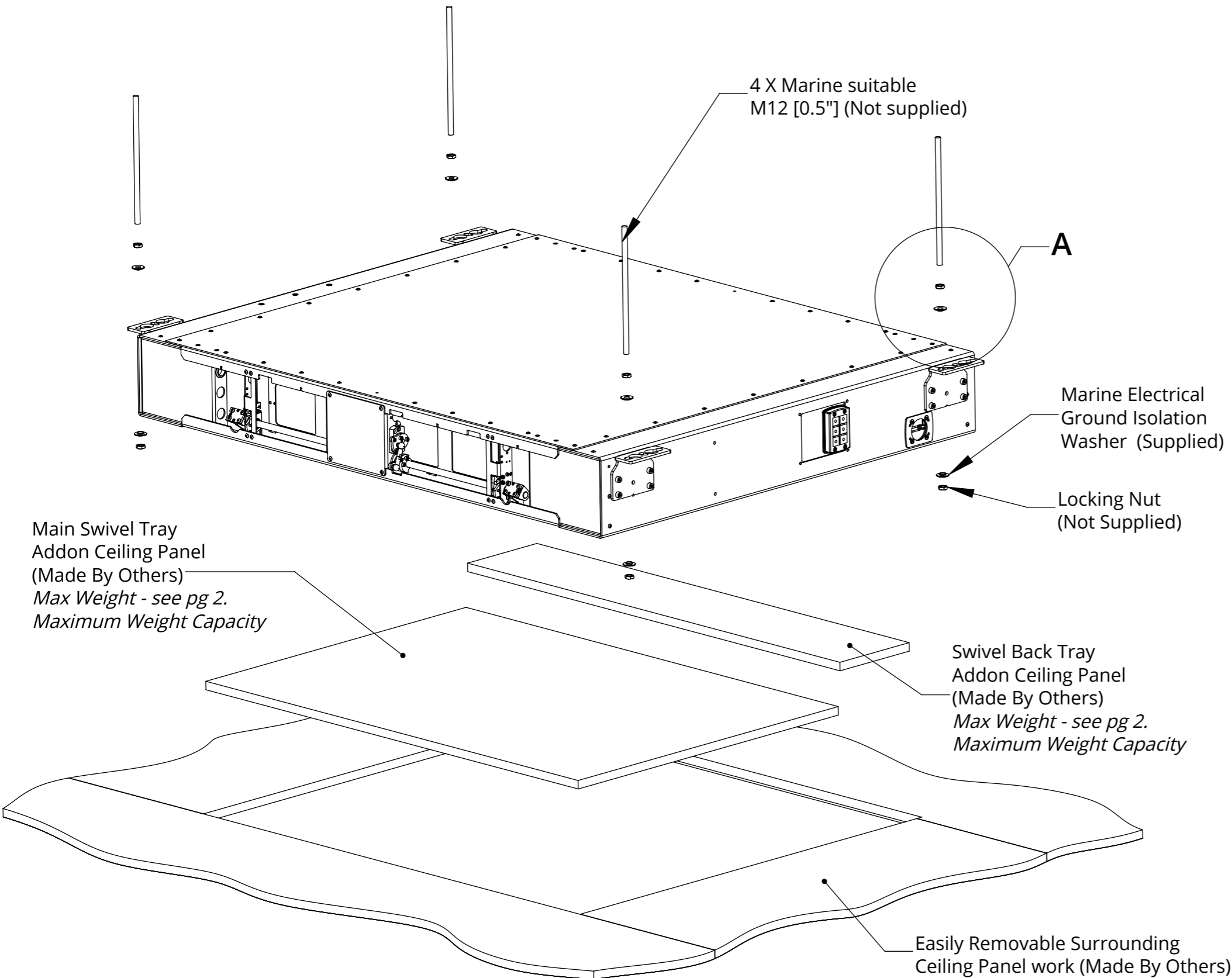
CHRS4-M

MARINE INDOOR CEILING HINGE RANGE WITH SWIVEL



future automation

MECHANISM MOUNTING DETAILS



Locking Nut (Not Supplied)

Marine Electrical Ground Isolation Washer (Supplied)

DETAIL A
SCALE 1 : 3

Mount brackets can be rotated to suit installation method / ceiling construction

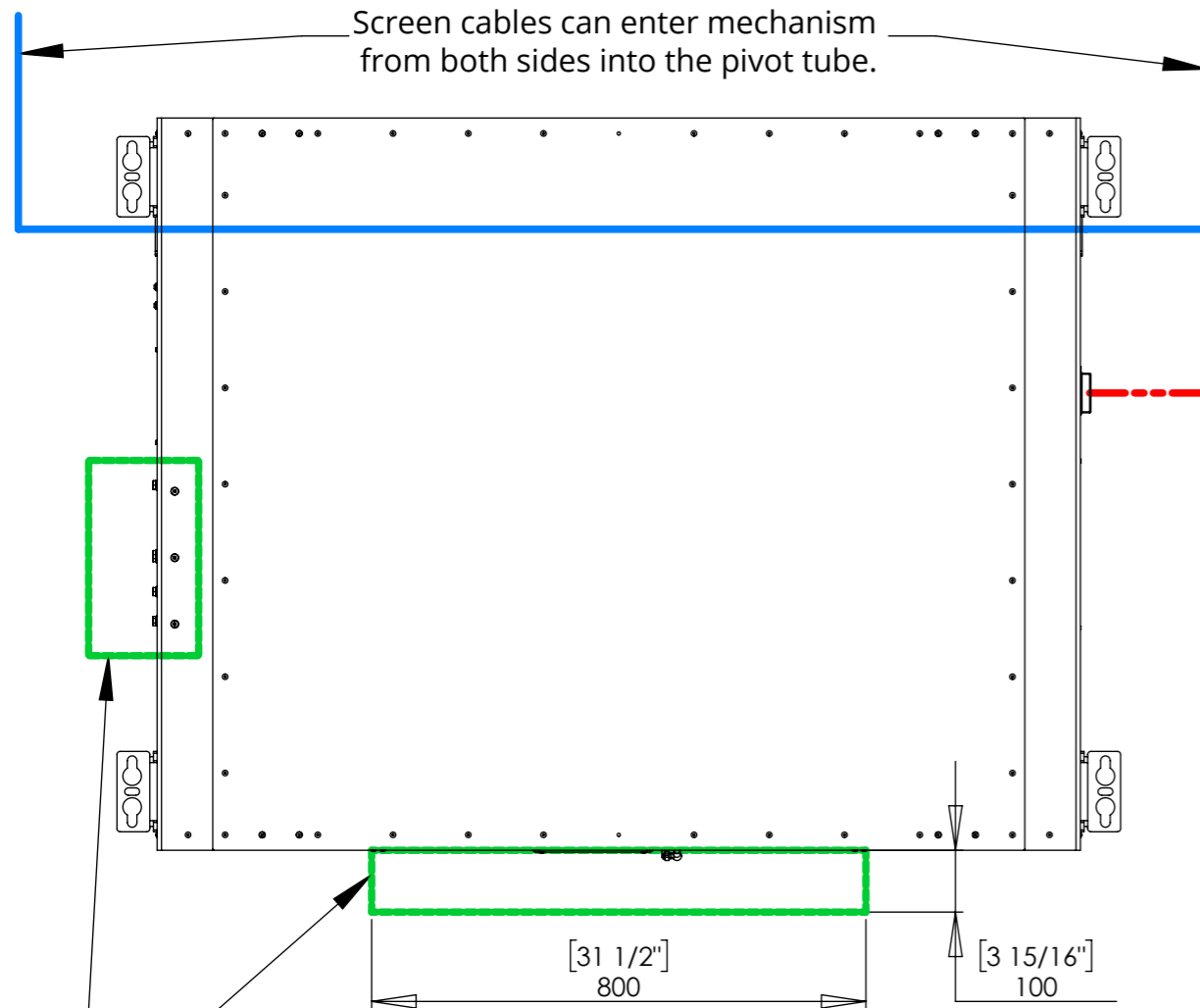
TECHNICAL SHEET

ISSUE 004
SHEET 3



CHRS4-M MARINE INDOOR CEILING HINGE RANGE WITH SWIVEL

CEILING PREPARATION



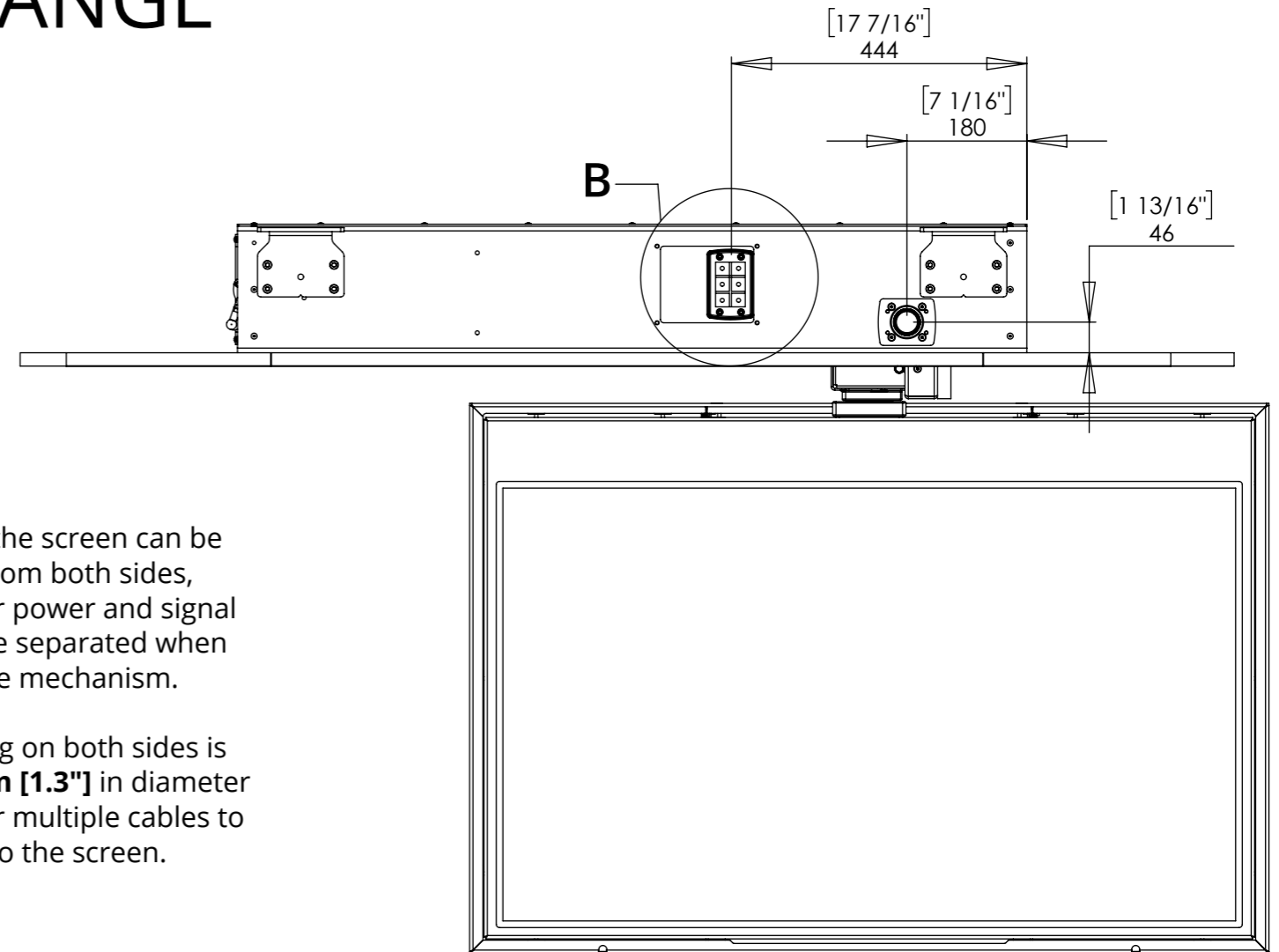
Screen cables can enter mechanism from both sides into the pivot tube.

Cables for the screen can be routed in from both sides, allowing for power and signal cables to be separated when entering the mechanism.

The opening on both sides is **MIN. 32mm [1.3"]** in diameter allowing for multiple cables to be routed to the screen.

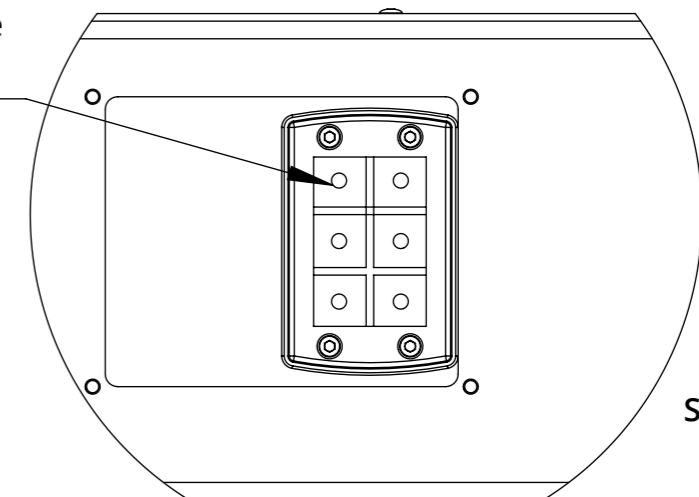
Keep these areas in front & to side of mechanism in ceiling free of obstruction for maintenance and servicing.

- Mechanism Power and Control Cables.
- Screen power and Signal



Cables pass through easily removable cable gland plates into mechanism.

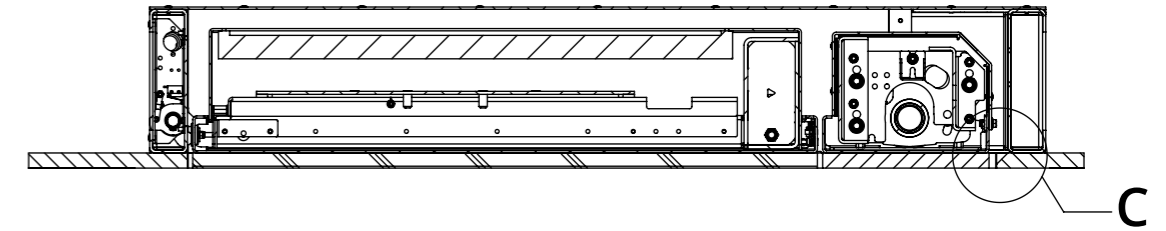
Additional glands to suit different cable sizes are available on request.



DETAIL B
SCALE 1 : 3

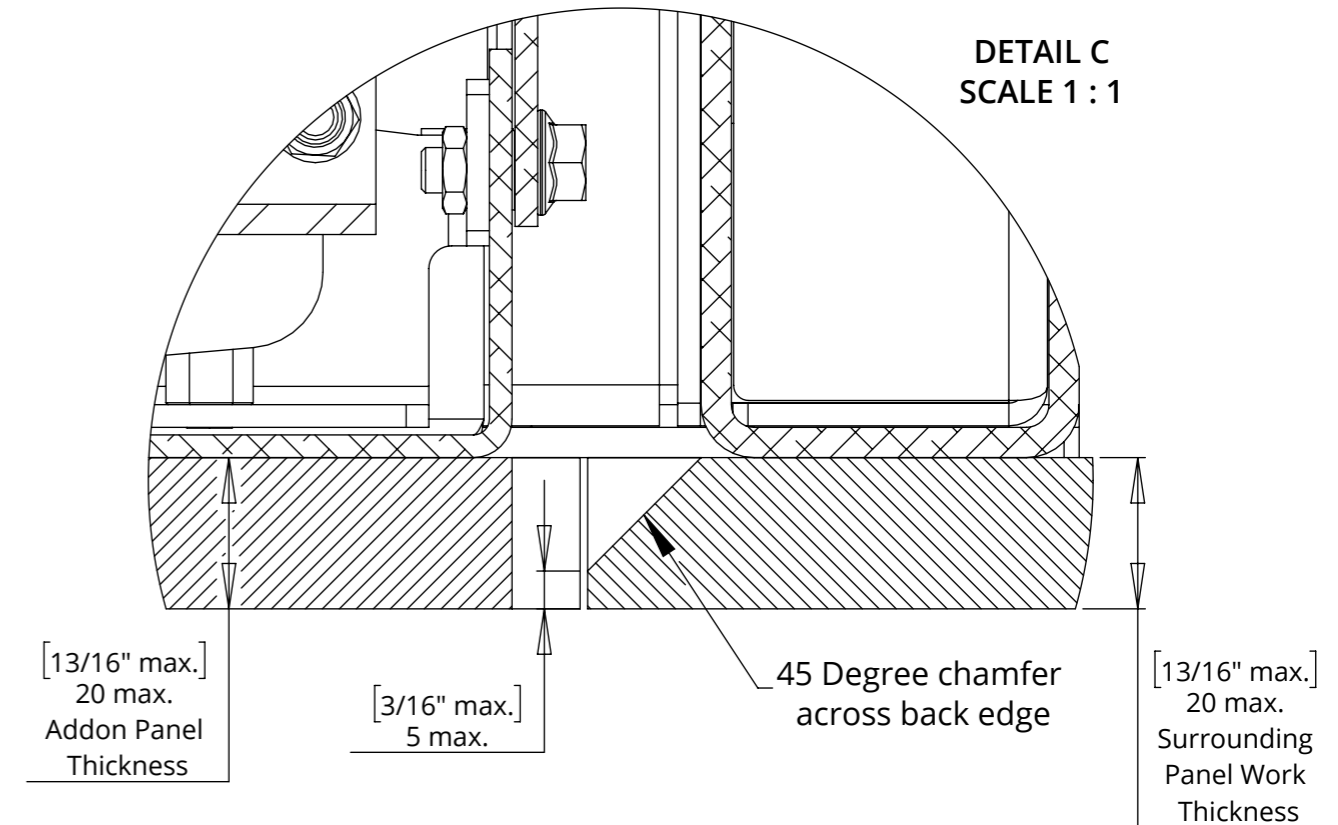


CHRS4-M MARINE INDOOR CEILING HINGE RANGE WITH SWIVEL CEILING DETAILS



C

DETAIL C
SCALE 1 : 1



[13/16" max.]
20 max.
Addon Panel
Thickness

[3/16" max.]
5 max.

45 Degree chamfer
across back edge

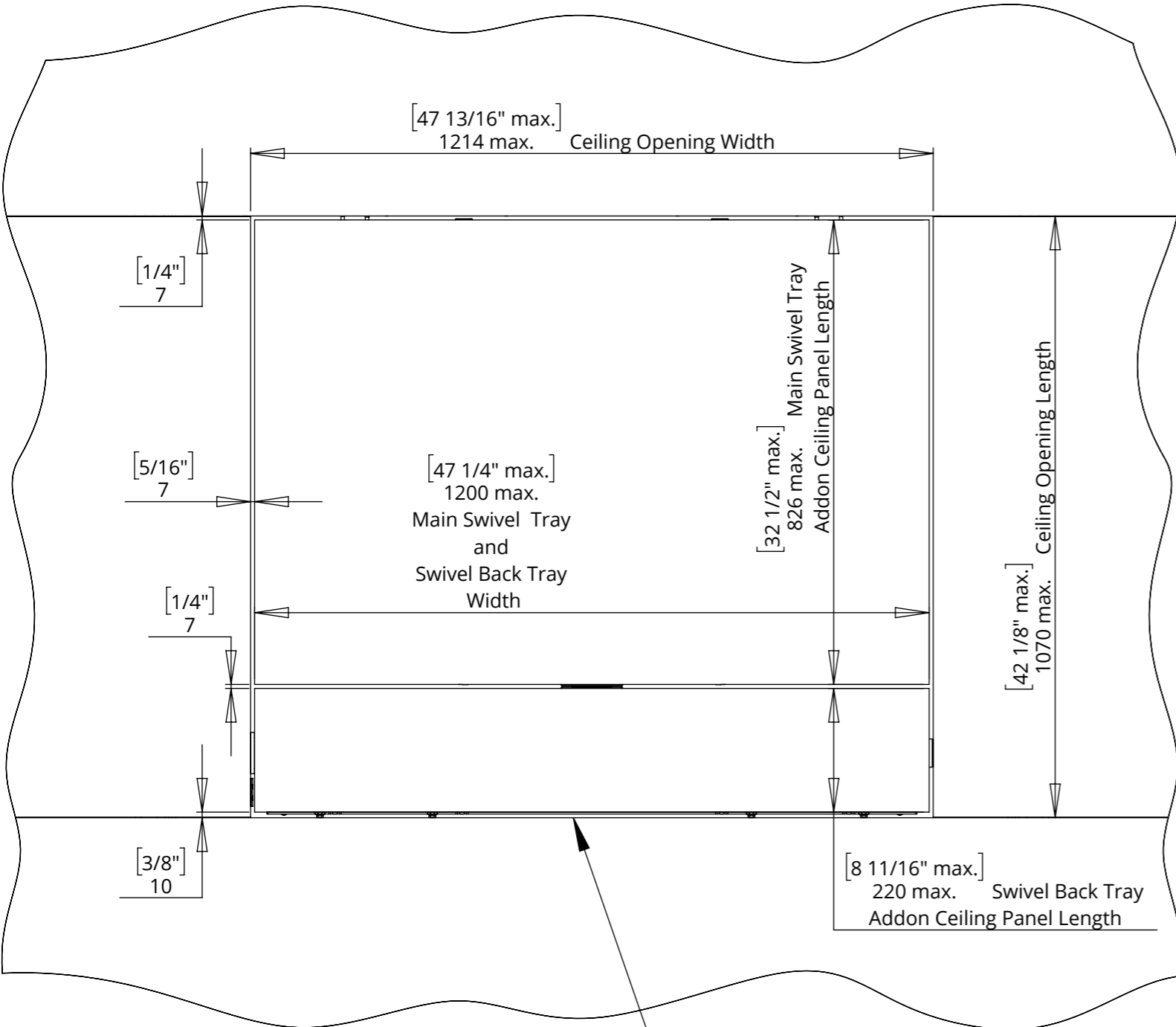
[13/16" max.]
20 max.
Surrounding
Panel Work
Thickness

Ensure all panel work is the same thickness.

Weight of all addon panel work must be included in maximum mechanism lifting capacity.

TECHNICAL SHEET

ISSUE 004
SHEET 5



[47 13/16" max.]
1214 max. Ceiling Opening Width

[1/4"]
7

[5/16"]
7

[1/4"]
7

[3/8"]
10

[47 1/4" max.]
1200 max.
Main Swivel Tray
and
Swivel Back Tray
Width

[32 1/2" max.]
826 max.
Main Swivel Tray
Addon Ceiling Panel Length

[42 1/8" max.]
1070 max.
Ceiling Opening Length

[8 11/16" max.]
220 max. Swivel Back Tray
Addon Ceiling Panel Length

Mechanism designed to work with min. 7mm [0.3"] shadow gaps at front, sides & between addon panels

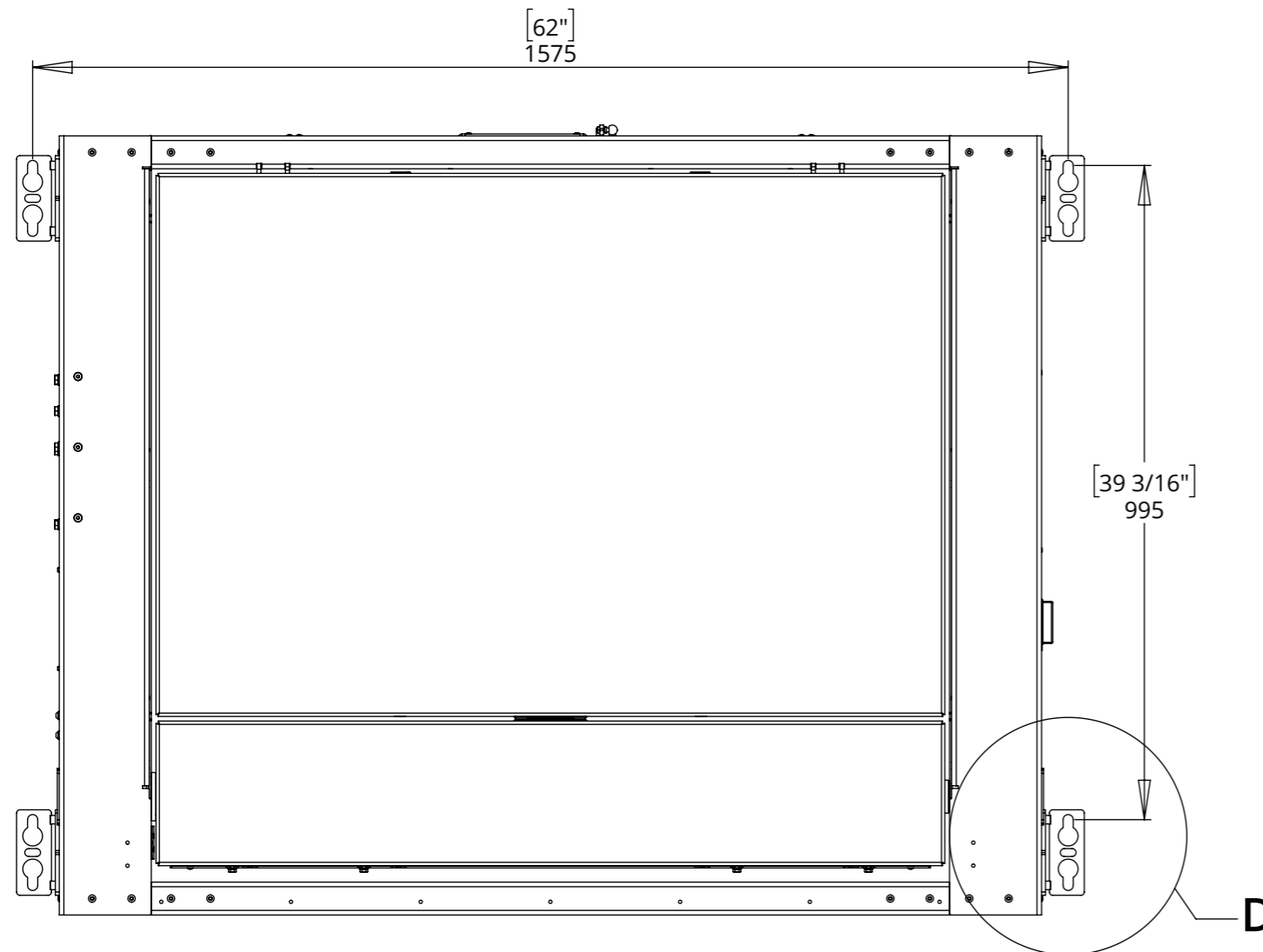
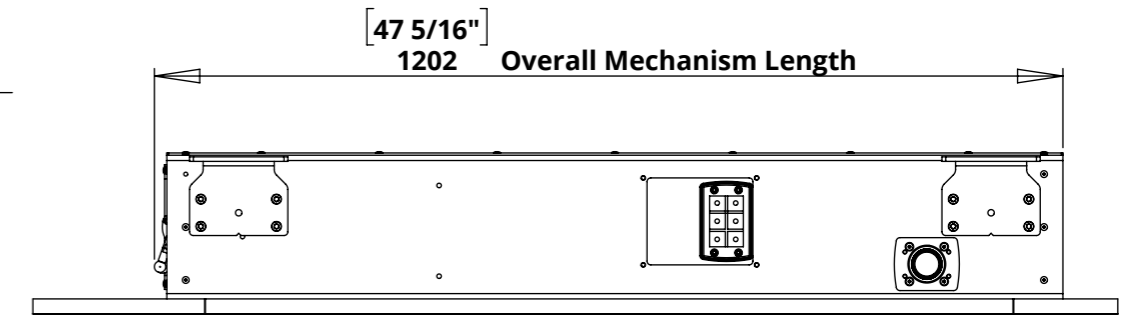
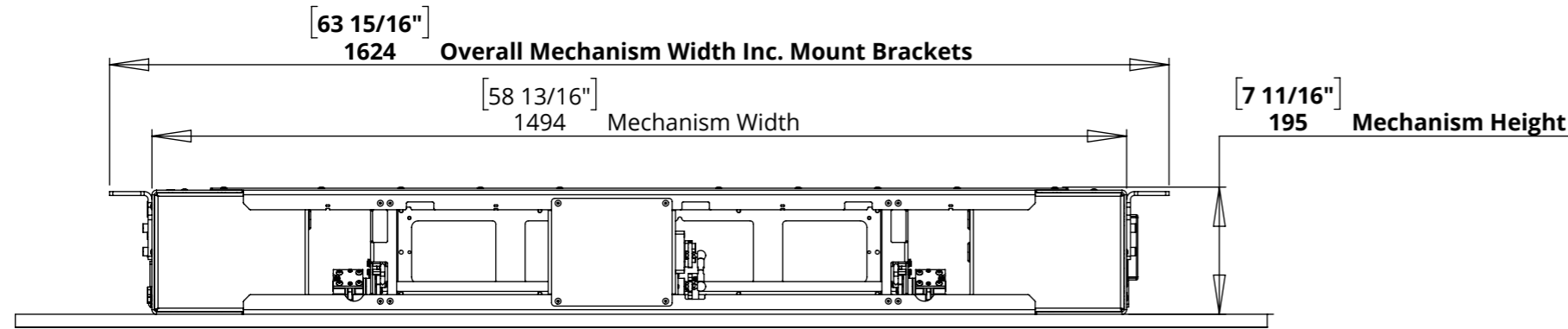
CHRS4-M

MARINE INDOOR CEILING HINGE RANGE WITH SWIVEL

MECHANISM DIMENSIONS - CLOSED

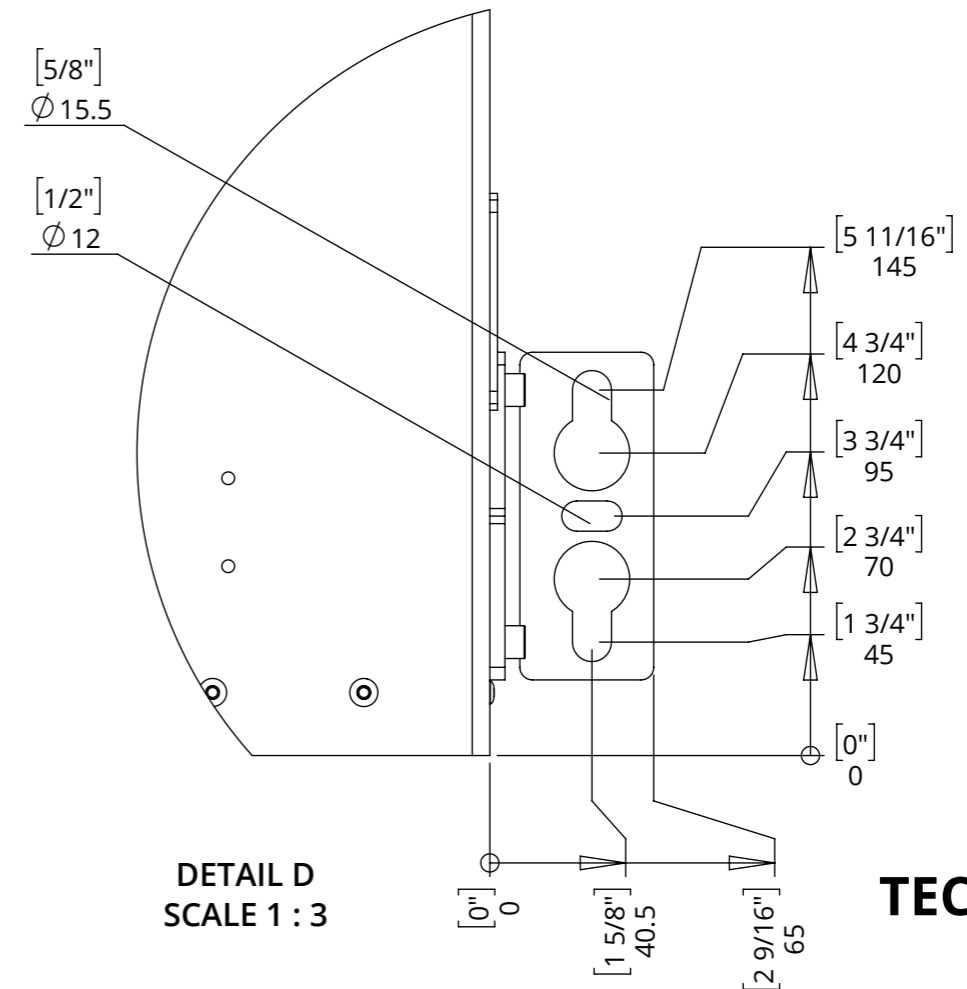


future automation



FIXING DETAIL

Mechanism mounted on M12 [0.5] Studding or fixed to underside of the ceiling joist structure, both using the mounting brackets installed on mechanism as standard



TECHNICAL SHEET
ISSUE 004
SHEET 6

CHRS4-M

MARINE INDOOR CEILING HINGE RANGE WITH SWIVEL

MECHANISM DIMENSIONS - OPEN



future automation

