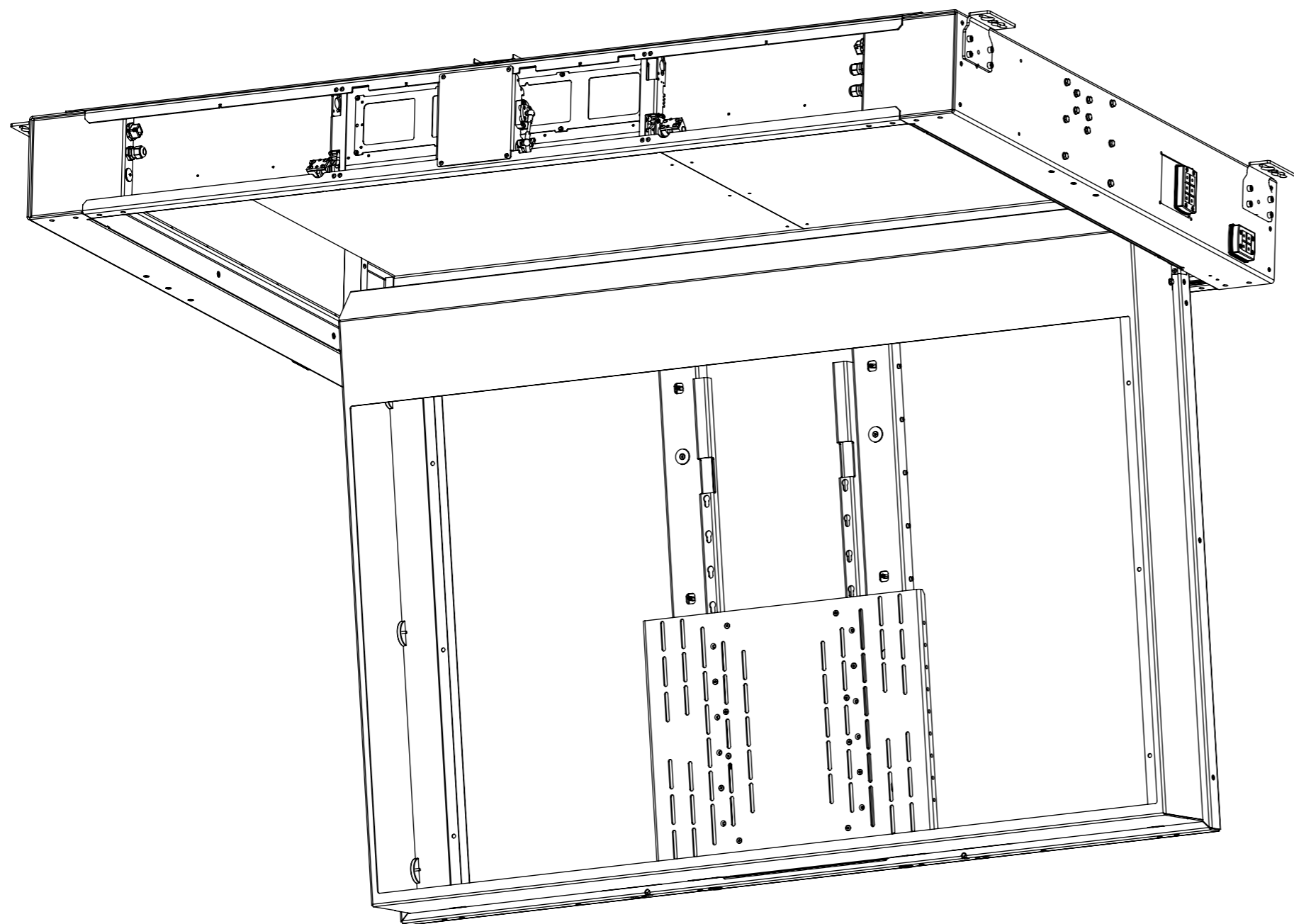


CHR8-MO

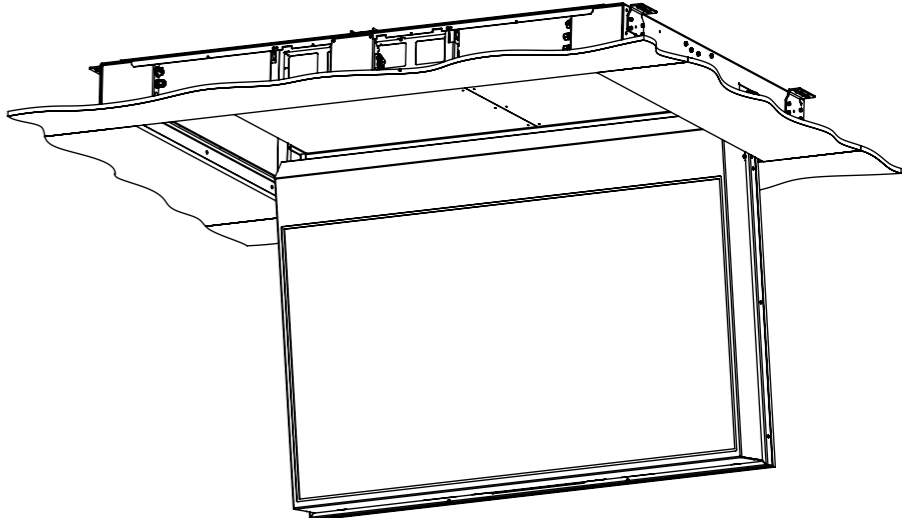
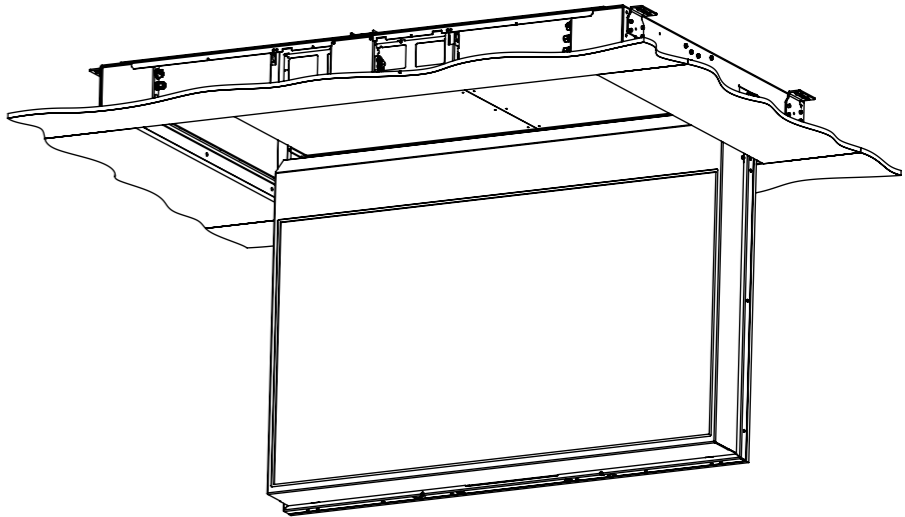
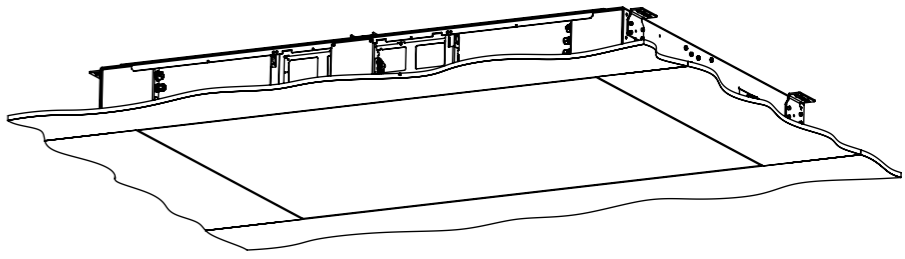
MARINE OUTDOOR CEILING HINGE RANGE



future automation



MECHANISM AS SUPPLIED



CHR8-MO

MARINE OUTDOOR CEILING HINGE RANGE



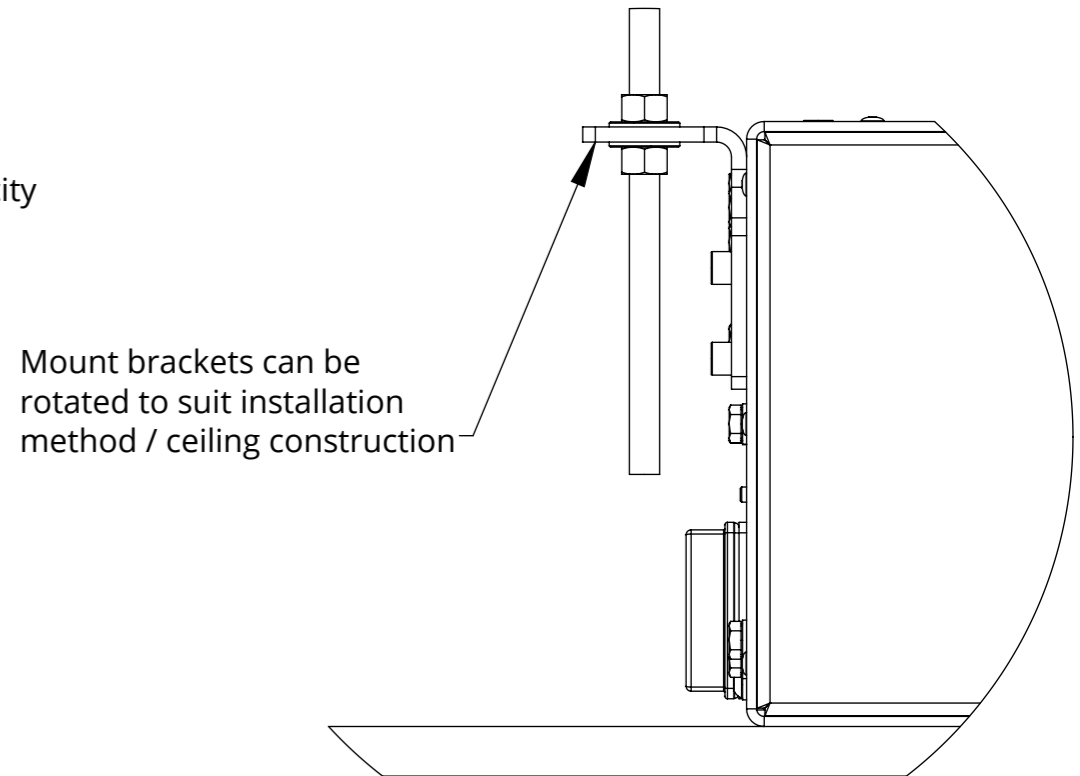
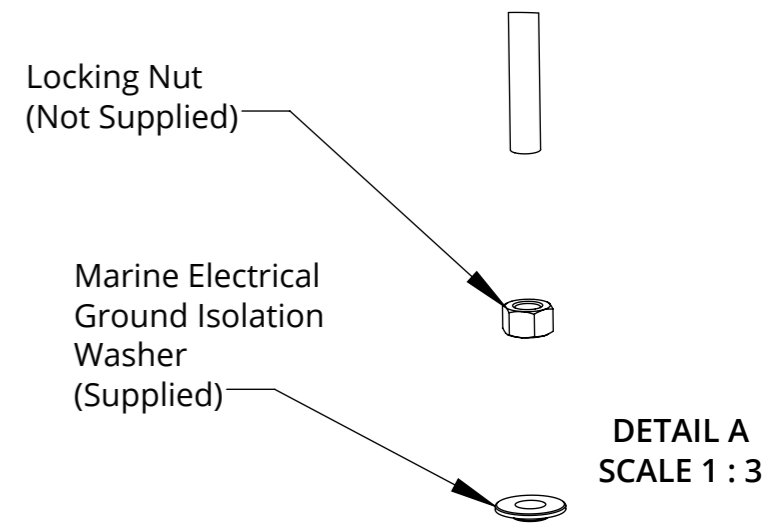
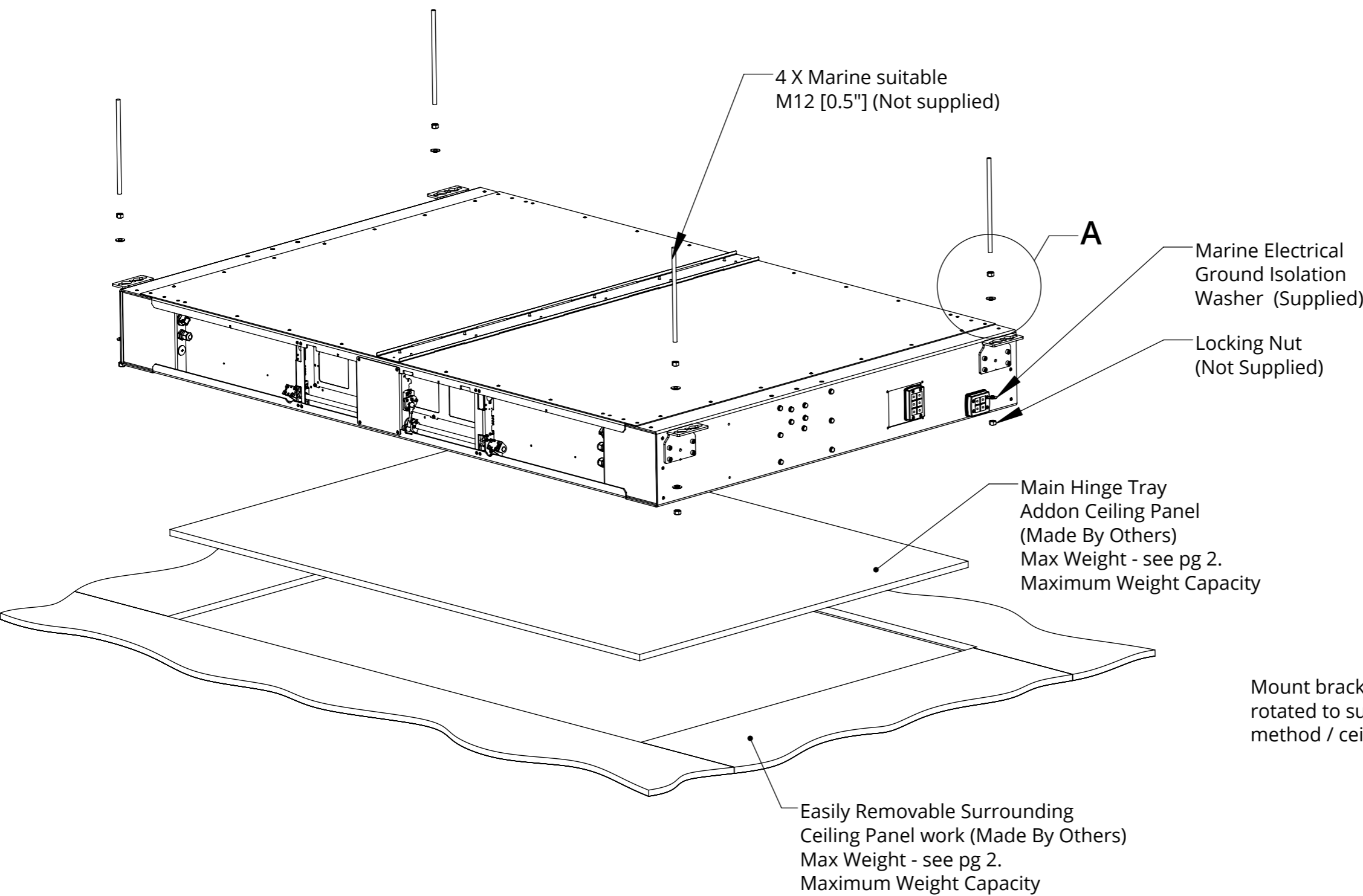
future automation

SPECIFICATION	MEASUREMENTS
Product Dimensions	2474mm [97 3/8 "] W x 1562mm [61 1/2 "] L x 255mm [10 1/16"] D
Product Weight	230Kg [507lb]
Maximum Screen Size (≤70mm D)	1980mm [77 15/16"] W x 1110mm [43 11/16"] L x 70mm [2 3/4 "] D
Maximum Screen Size (>70mm D)	1980mm [77 15/16"] W x 1080mm [42 1/2 "] L x 130mm [5 1/8 "] D
Maximum Weight Capacity	120Kg [265lb] Max. - Inc 30Kg [66lb] Max. Addon Ceiling Panel Main Hinge *Assuming Screen Weight Biased Low (3/4 Screen Height)
Packaging Dimensions	2520mm [99 3/16"] W x 1720mm [67 11/16"] L x 490mm [19 5/16"] D
Shipping Weight	425Kg [937lb]
Maximum Rotation	100° - programmable limit to 90°
Movement Type	Motorised
Control System	In IP66 Control box on 3m [10'] Loom
Power Supply Required	110V - 240V AC 50/60Hz
Power Consumption Max.	720W
Power Consumption Standby	3W
Mounting Patterns Supported	VESA 600, 500, 400, 300, 200 W x 400, 300, 200 H
Control Options	IR Remote, RS232, Contact Closure
Product Options / Features	Specific B&O and Loewe mounts / adapters, Custom RAL paint finishes, Marine suitable version
Package Contents	Mechanism, IR remote control
Environment	Marine Outdoor
Colour	WHITE - RAL9910 Satin Finish
Marine Suitable	Yes - Marine Locks for secure stowing when not in use - Weatherproof when closed due to Marine Seals .

CHR8-MO

MARINE OUTDOOR CEILING HINGE RANGE

MECHANISM MOUNTING DETAILS



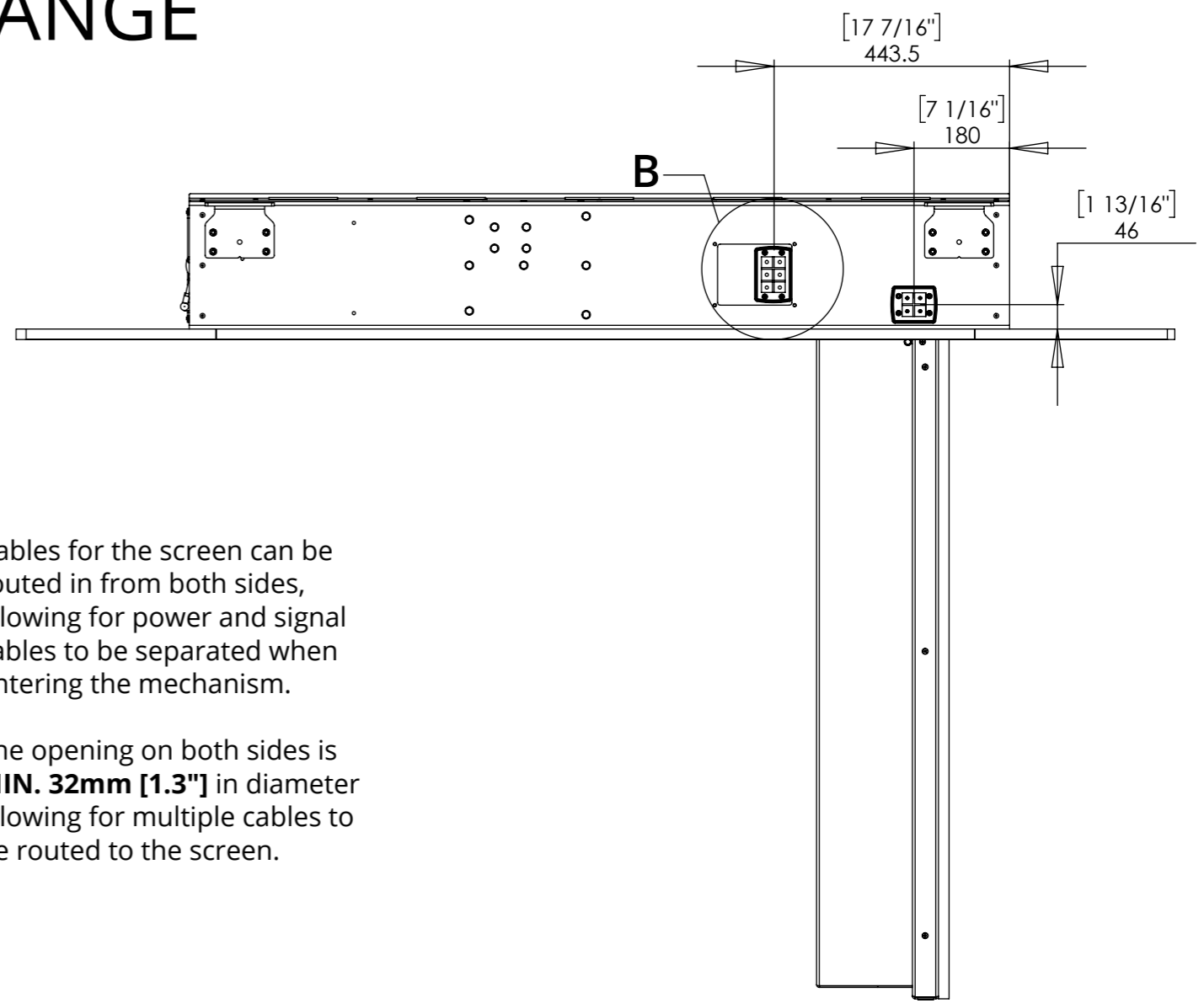
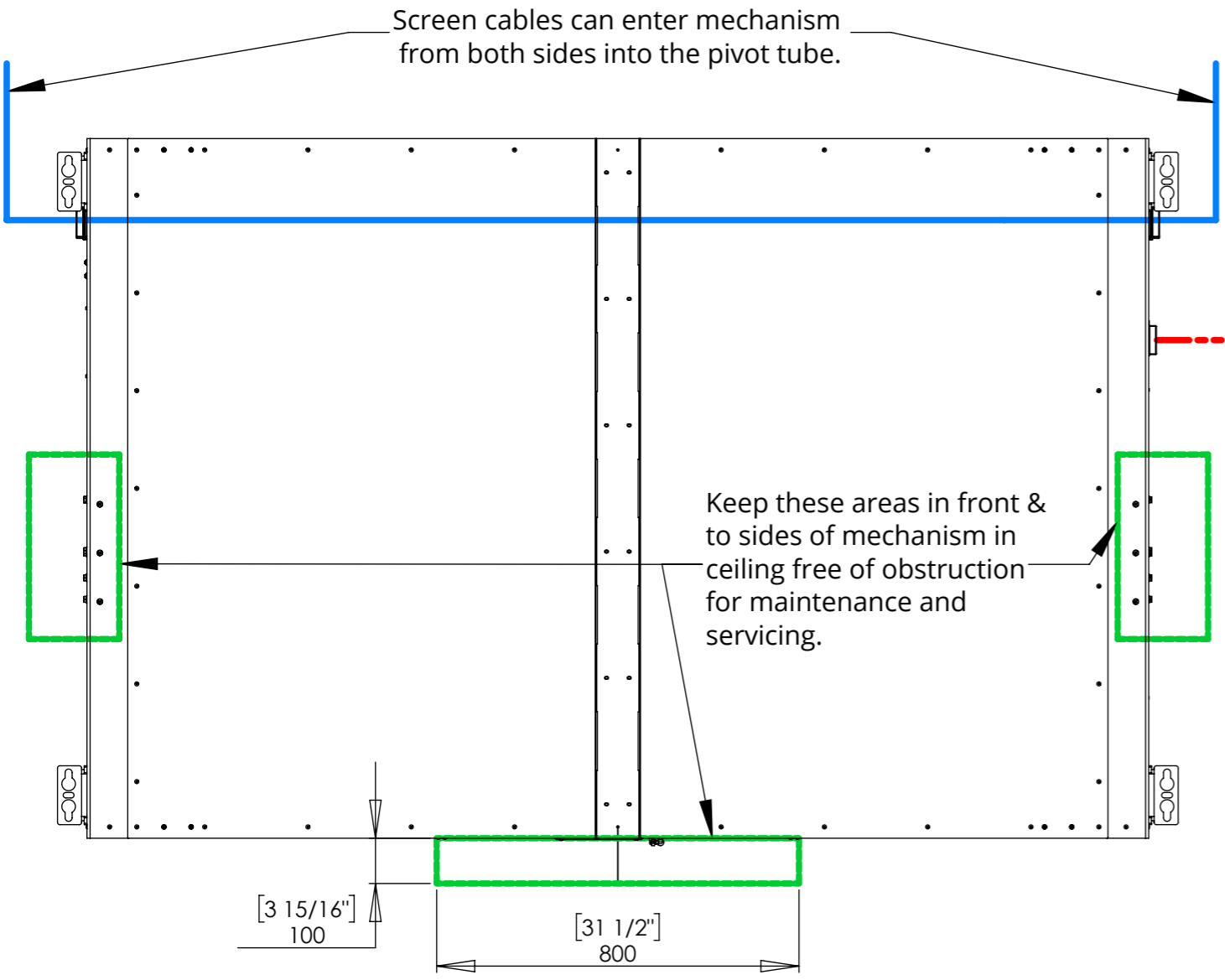
CHR8-MO

MARINE OUTDOOR CEILING HINGE RANGE



future automation

CEILING PREPARATION

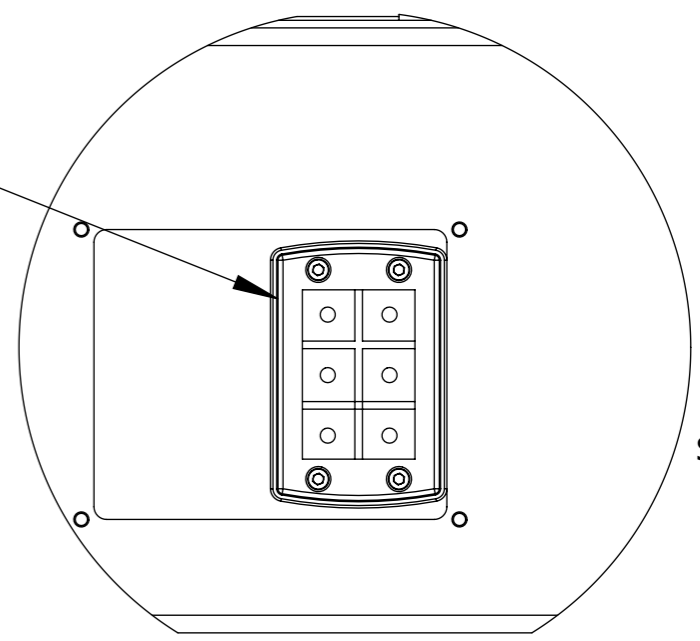


Cables for the screen can be routed in from both sides, allowing for power and signal cables to be separated when entering the mechanism.

The opening on both sides is **MIN. 32mm [1.3"]** in diameter allowing for multiple cables to be routed to the screen.

Cables pass through easily removable cable gland plates into mechanism.

Additional glands to suit different cable sizes are available on request.



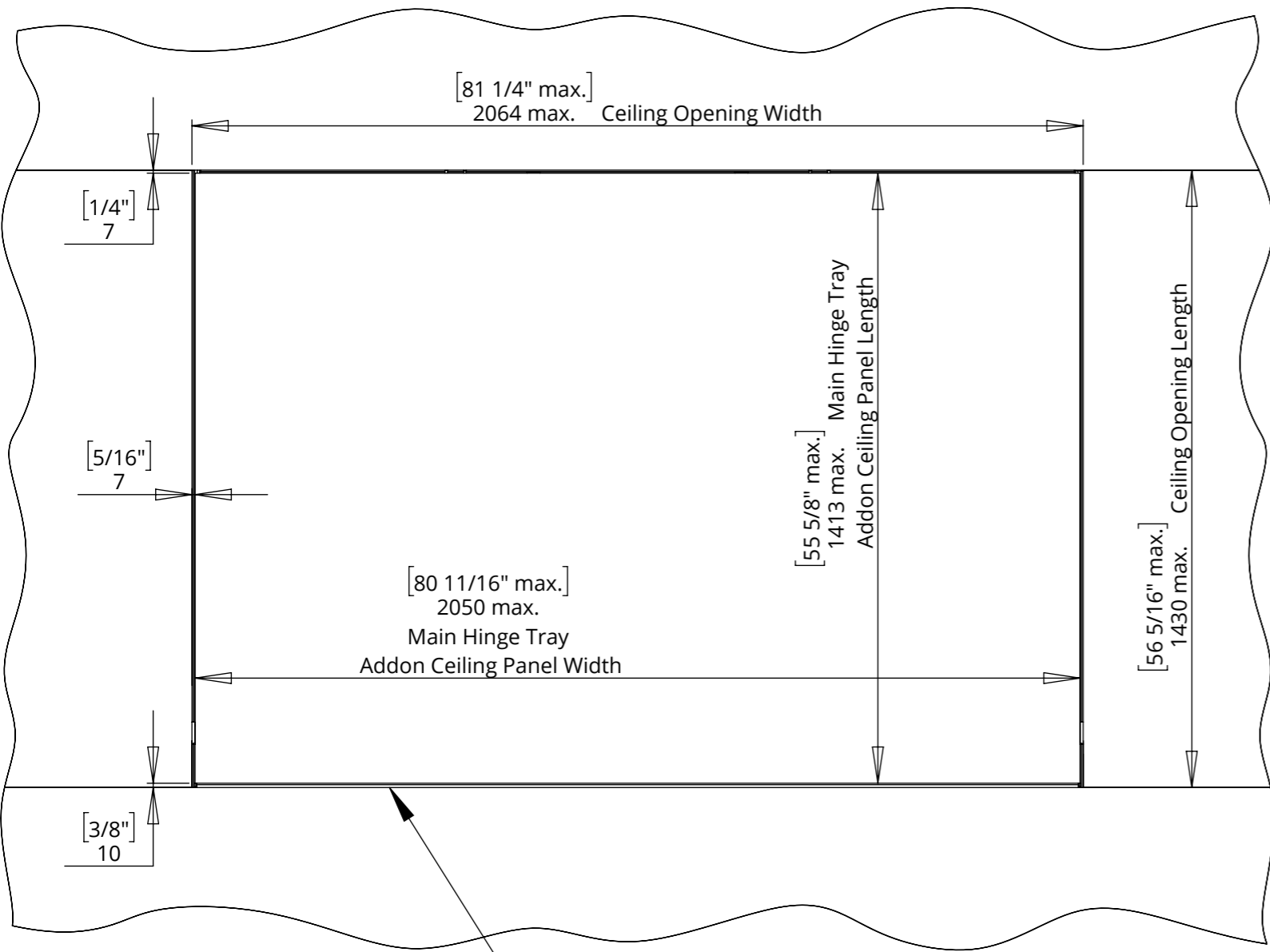
DETAIL B
SCALE 1 : 3

- Mechanism Power and Control Cables.
- Screen power and Signal

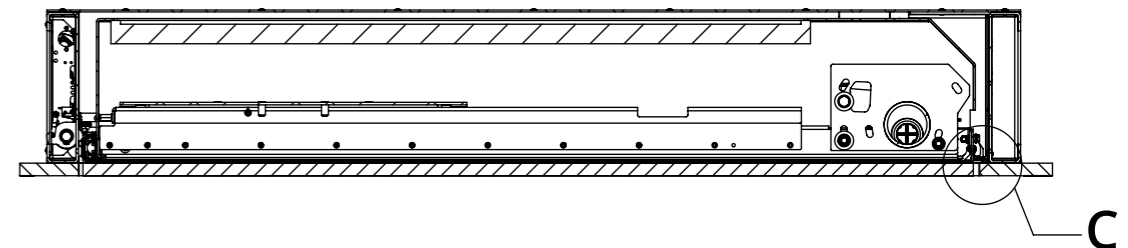
CHR8-MO

MARINE OUTDOOR CEILING HINGE RANGE

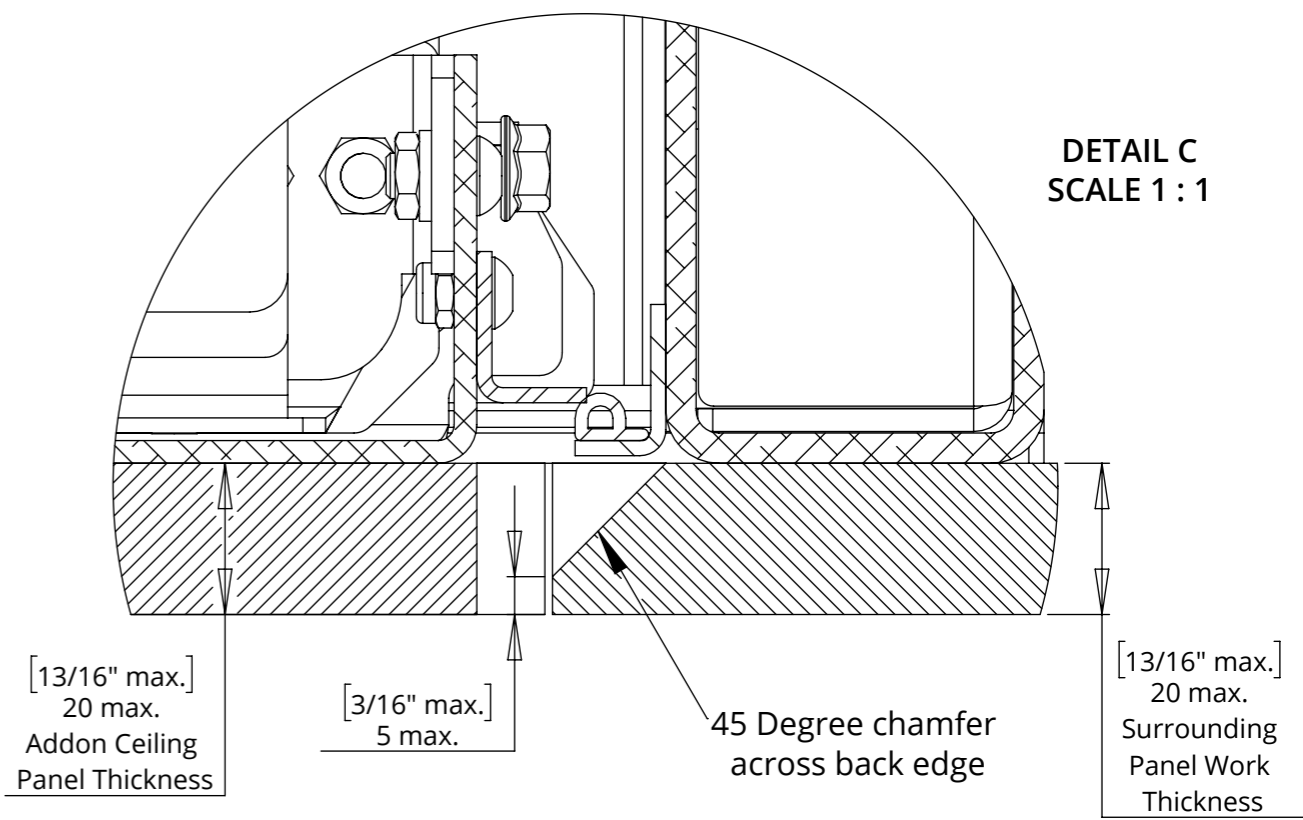
CEILING DETAILS



Mechanism designed to work with min. 7mm [0.3"] shadow gaps at Front and Sides



DETAIL C
SCALE 1 : 1



Ensure all panel work is the same thickness.

Weight of all addon panel work must be included in maximum mechanism lifting capacity.

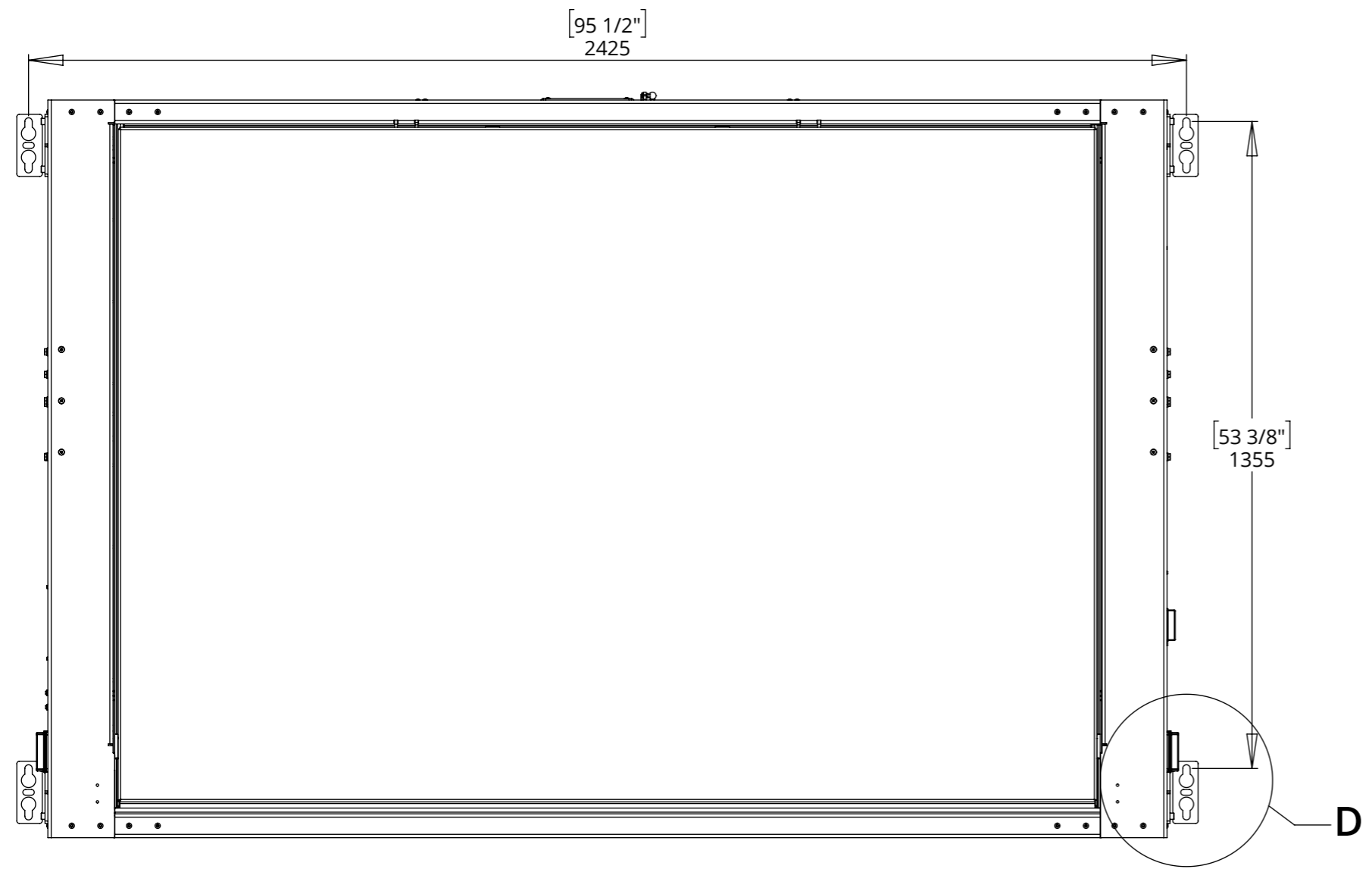
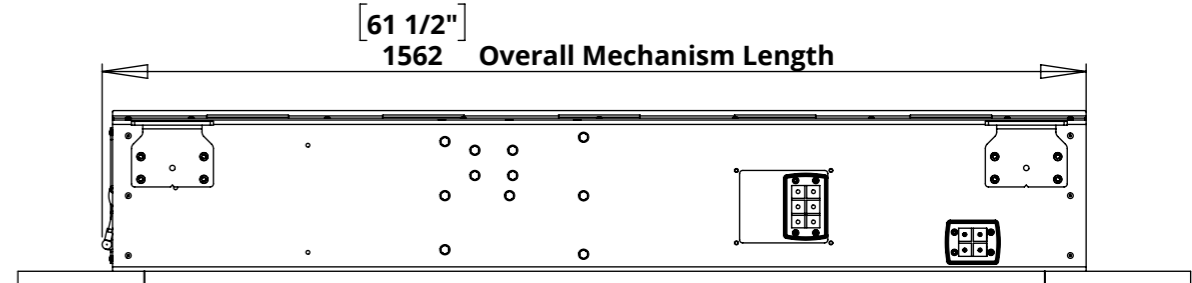
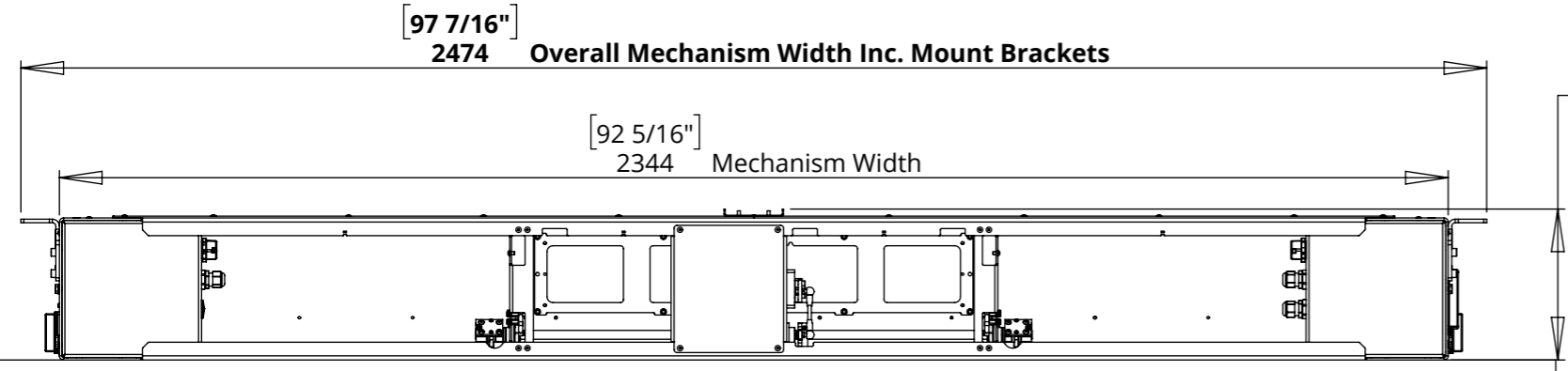
CHR8-MO

MARINE OUTDOOR CEILING HINGE RANGE



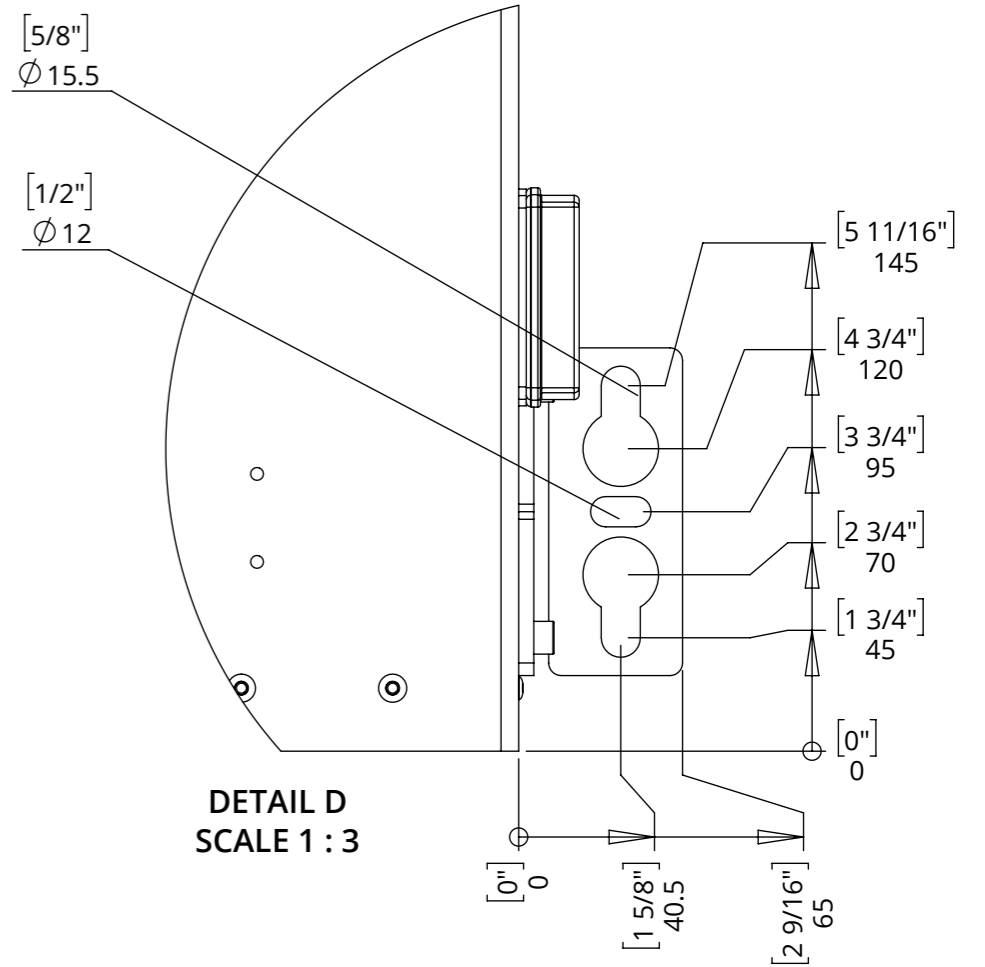
future automation

MECHANISM DIMENSIONS - CLOSED



FIXING DETAIL

Mechanism mounted on M12 [0.5] Studding or fixed to underside of the ceiling joist structure, both using the mounting brackets installed on mechanism as standard



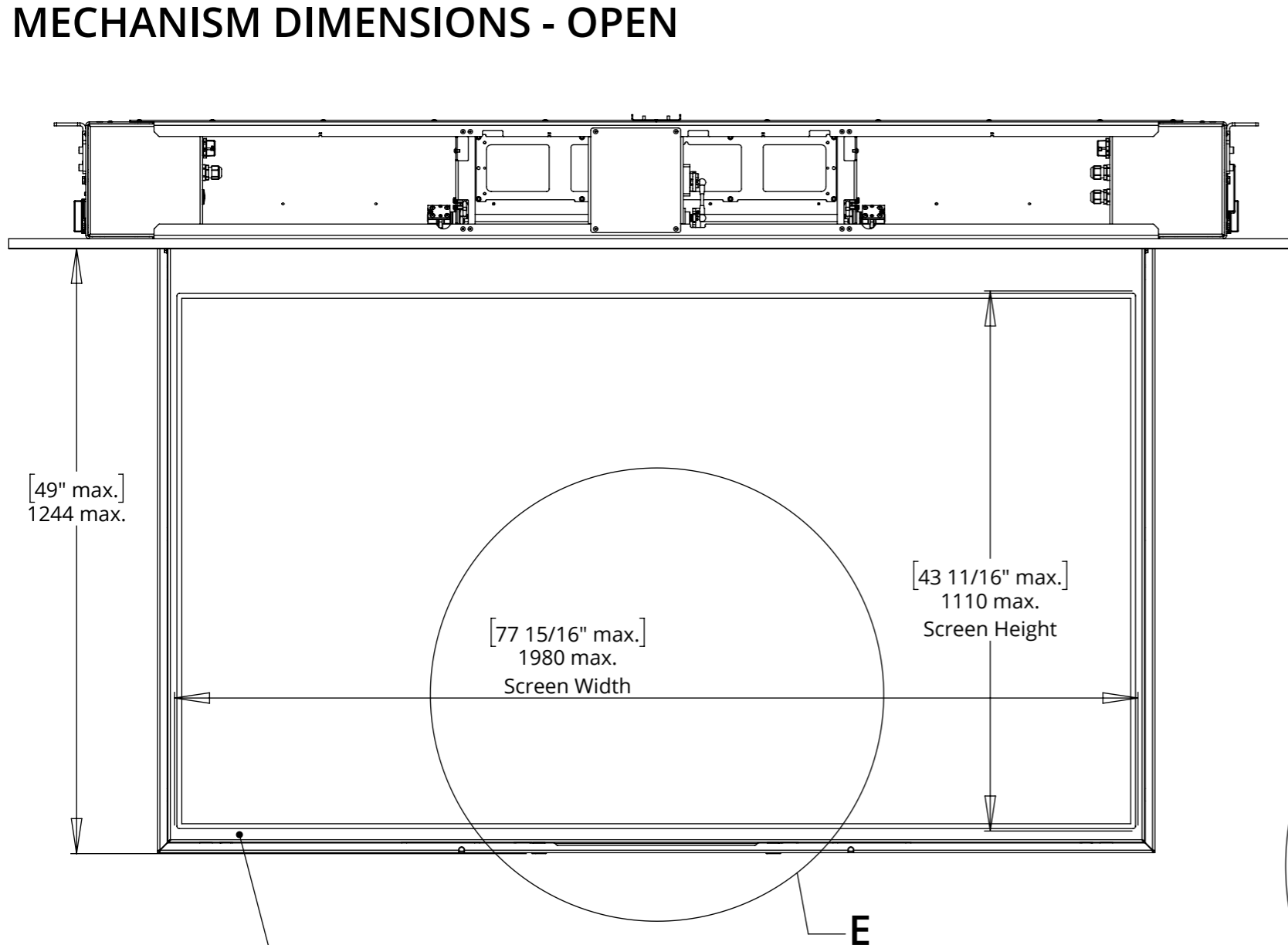
CHR8-MO

MARINE OUTDOOR CEILING HINGE RANGE



future automation

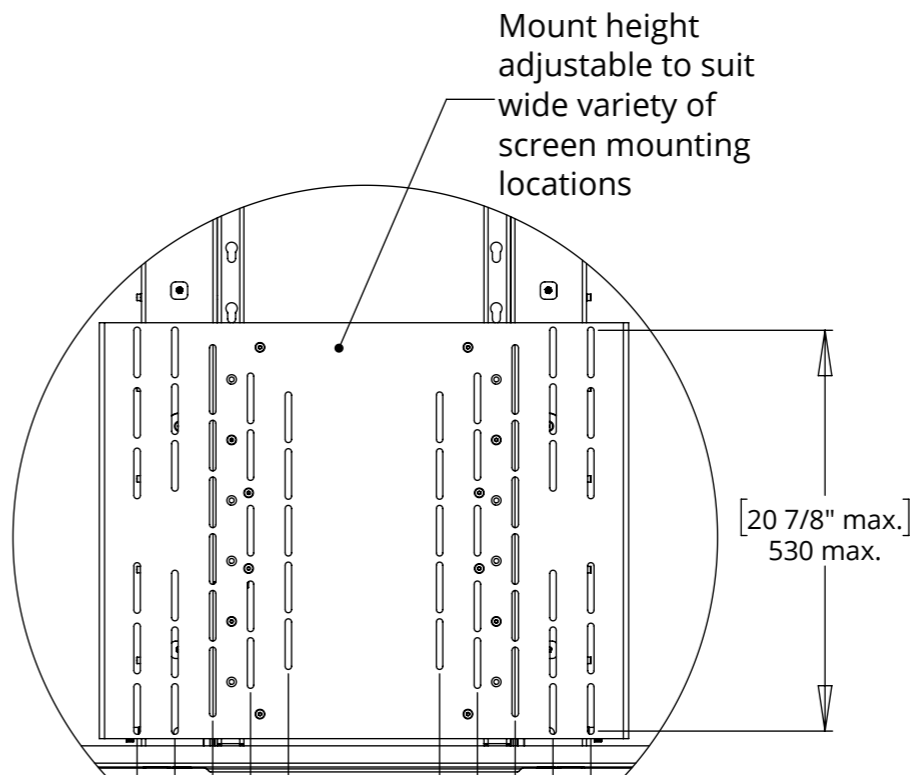
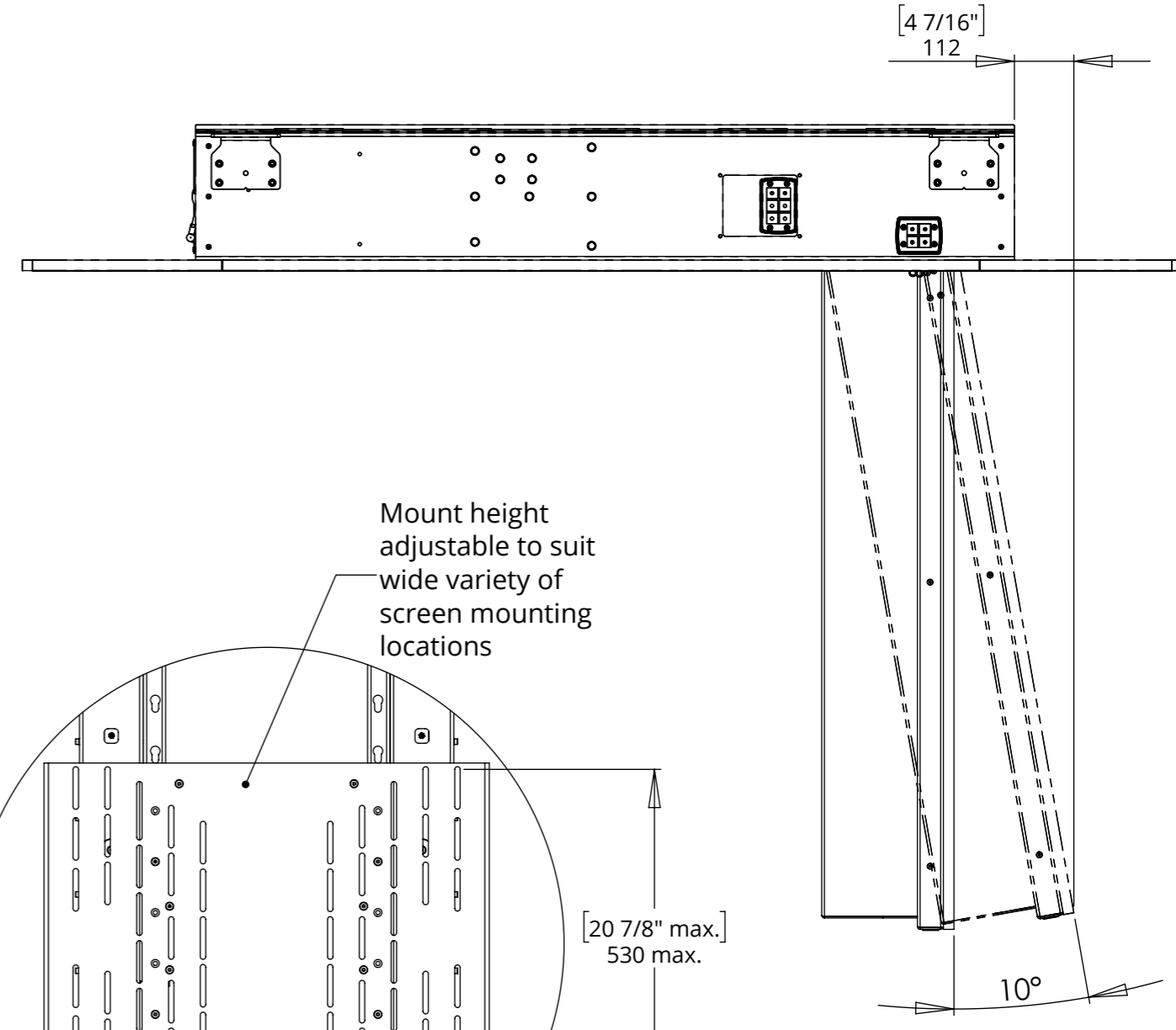
MECHANISM DIMENSIONS - OPEN



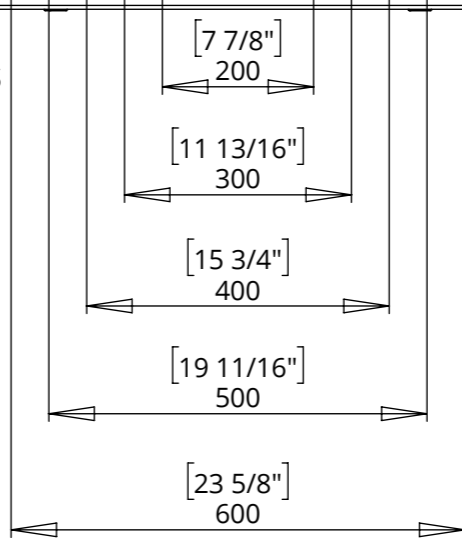
Shown with custom screen surround.

Supplied at request, screen details required at point of order.

Screen surround overlaps screen on all edges by 5mm as standard. If required this can be customised to suit.



DETAIL E Mount Details



Maximum VESA 600 x 400 supplied as standard

Custom Mount Options available on request

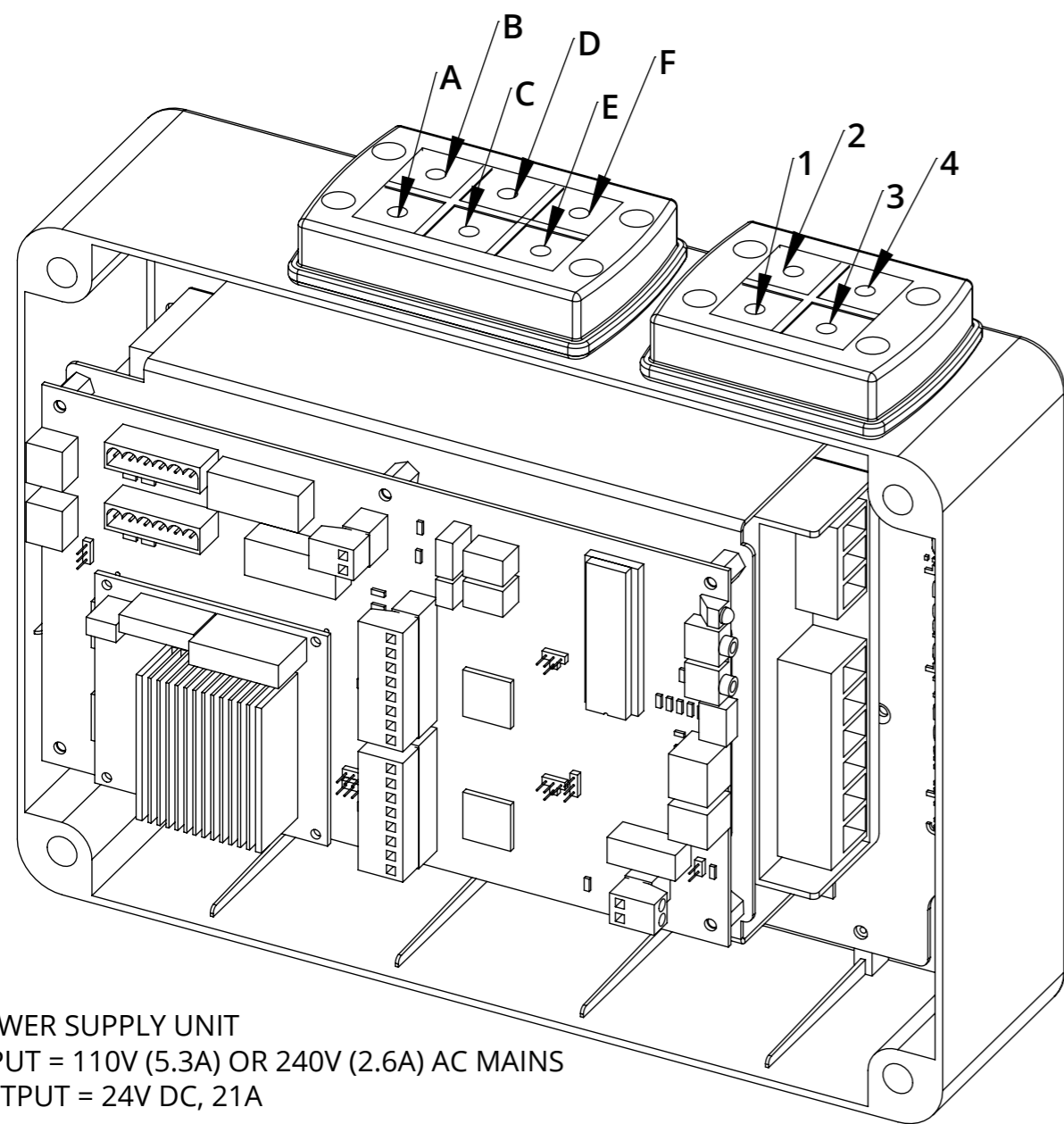
CHR8-MO

MARINE OUTDOOR CEILING HINGE RANGE



future automation

CONTROL BOX DETAILS



POWER SUPPLY UNIT
 INPUT = 110V (5.3A) OR 240V (2.6A) AC MAINS
 OUTPUT = 24V DC, 21A

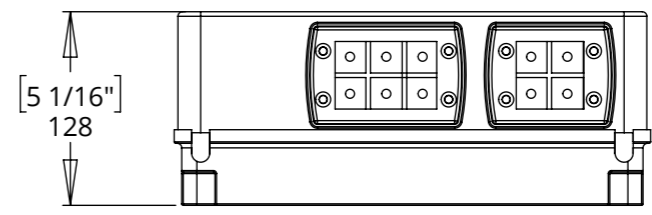
NOTES

- ENCLOSURE IS RATED TO IP56 / GLANDS ARE RATED TO IP66
- ENCLOSURE AND LID FIXINGS ALL MADE FROM GEWISS GW PLAST 75.
- ENCLOSURE MATERIAL SUITABLE FOR TEMPERATURES +60 C TO -25 C.
- POWER SUPPLY UNIT (PSU) WILL ALLOW 110V OR 240V AC INPUT. THE SAME PSU IS USED FOR EU OR US MAINS SUPPLIES.
- OTHER THAN CONTROL CABLES, ALL CABLES TERMINATE AT CONTROL BOARD VIA STANDARD PHOENIX CONNECTORS.
- CABLE LOOM LENGTH SUPPLIED AT APPROX. 3m [118"]. LOOM CAN BE EXTENDED UP TO MAXIMUM OF APPROX. 10m [400"].
- MINIMUM CABLE BEND RADIUS 63.75mm [2.5"].

IP66 Multicable Glands.

Supplied with standard set of glands to suit mechanism control cables.

- | | | |
|----|-------------------------------|---|
| A. | Hinge Motor A + IN / OUT SW | - (1 x 8 core) 8.5mm [0.33"] dia. (EU SPEC: 0.34mm ² US SPEC: 22AWG) |
| B. | Hinge Motor B | - (1 x 8 core) 8.5mm [0.33"] dia. (EU SPEC: 0.34mm ² US SPEC: 22AWG) |
| C. | BLANK | |
| D. | BLANK | |
| E. | Marine Catch Power / Signal | - (1 x 8 core) 8.5mm [0.33"] dia. (EU SPEC: 0.34mm ² US SPEC: 22AWG) |
| F. | FA Internal IR Reciever Cable | - 3mm [0.12"] dia. (EU SPEC: 0.12mm ² US SPEC: 25AWG) |
-
- | | | |
|----|---|--|
| 1. | Control Board Power - 3 Core Mains | 6mm [0.25"] dia. (EU SPEC: 0.75mm ² US SPEC: 18AWG) |
| 2. | Cat 5e 8 core - RS232 interface | 5mm [0.2"] dia.(EU SPEC: 0.2mm ² US SPEC: 24AWG) |
| 3. | Cat 5e 8 core - Contact Closure interface | 5mm [0.2"] dia.(EU SPEC: 0.2mm ² US SPEC: 24AWG) |
| 4. | FA IR Receiver Cable | 3mm [0.12"] dia.(EU SPEC: 0.12mm ² US SPEC: 25AWG) |



Supplied with 3M [10'] loom as standard

