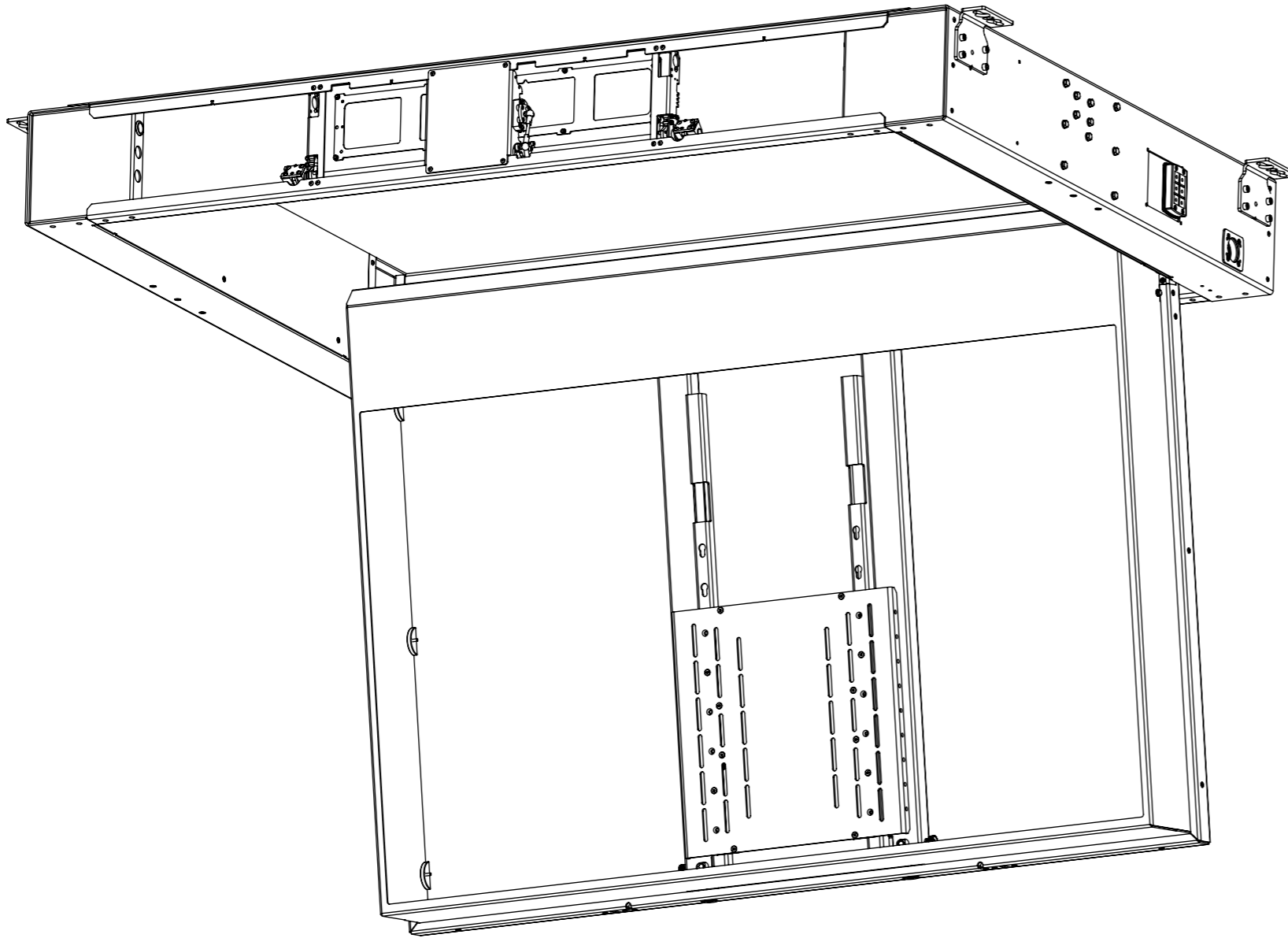
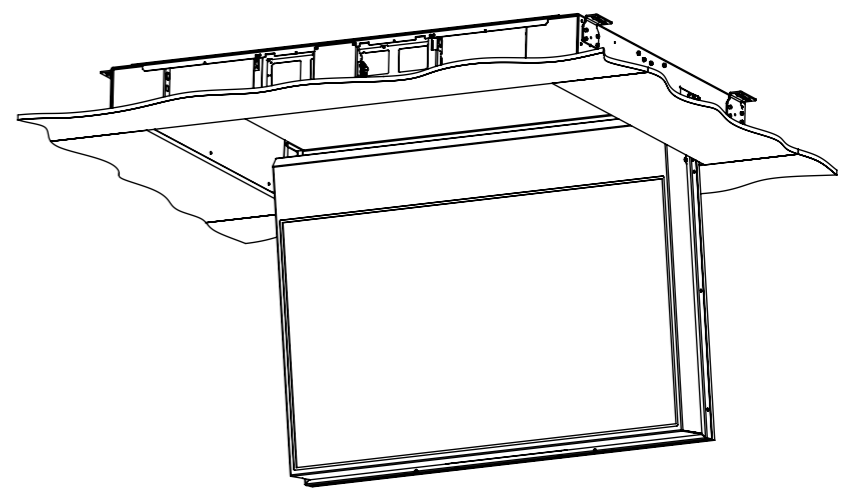
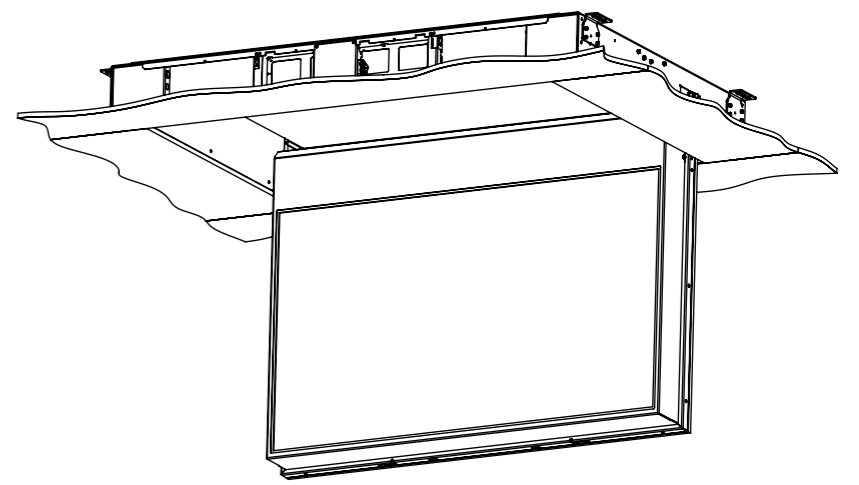
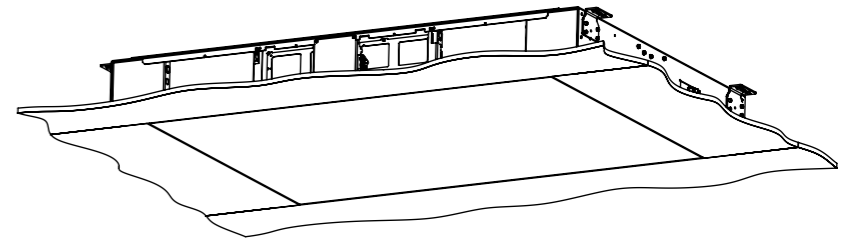


# CHR7-M

## MARINE INDOOR CEILING HINGE RANGE



MECHANISM AS SUPPLIED



# CHR7-M

## MARINE INDOOR CEILING HINGE RANGE



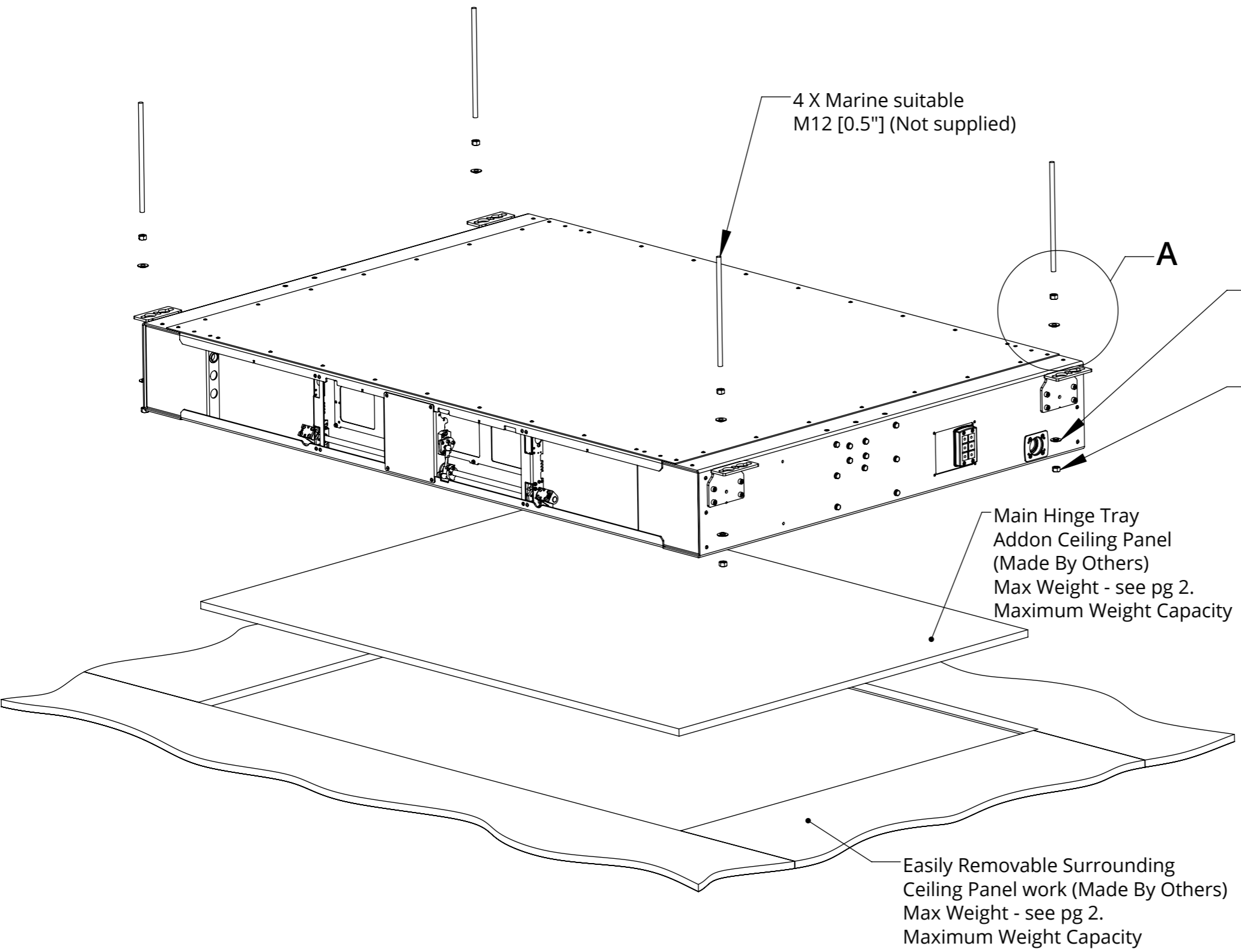
future automation

SPECIFICATION	MEASUREMENTS
Product Dimensions	2224mm [87 9/16"] W x 1442mm [56 3/4 "] L x 245mm [9 5/8 "] D
Product Weight	180Kg [397lb]
Maximum Screen Size (≤70mm D)	1730mm [68 1/8 "] W x 1010mm [39 3/4 "] L x 70mm [2 3/4 "] D
Maximum Screen Size (>70mm D)	1730mm [68 1/8 "] W x 980mm [38 9/16"] L x 130mm [5 1/8 "] D
Maximum Weight Capacity	150Kg [331lb] Max. - Inc 30Kg [66lb] Max. Addon Ceiling Panel Main Hinge <i>*Assuming Screen Weight Biased Low (3/4 Screen Height)</i>
Packaging Dimensions	2270mm [89 3/8 "] W x 1600mm [63 "] L x 490mm [19 5/16 "] D
Shipping Weight	356Kg [785lb]
Maximum Rotation	100° - programmable limit to 90°
Movement Type	Motorised
Control System	Housed internally - Accessible through internal access hatch.
Power Supply Required	110V - 240V AC 50/60Hz
Power Consumption Max.	720W
Power Consumption Standby	3W
Mounting Patterns Supported	VESA 400, 300, 200 W x 400, 300, 200 H
Control Options	IR Remote, RS232, Contact Closure
Product Options / Features	Specific B&O and Loewe mounts / adapters, Custom RAL paint finishes, Marine suitable version
Package Contents	Mechanism, IR remote control
Environment	Marine Indoor
Colour	WHITE - RAL9910 Satin Finish
Marine Suitable	Yes - Marine Locks for secure stowing when not in use

# CHR7-M

## MARINE INDOOR CEILING HINGE RANGE

### MECHANISM MOUNTING DETAILS



Locking Nut  
(Not Supplied)

Marine Electrical  
Ground Isolation  
Washer  
(Supplied)

DETAIL A  
SCALE 1 : 3

Marine Electrical  
Ground Isolation  
Washer (Supplied)

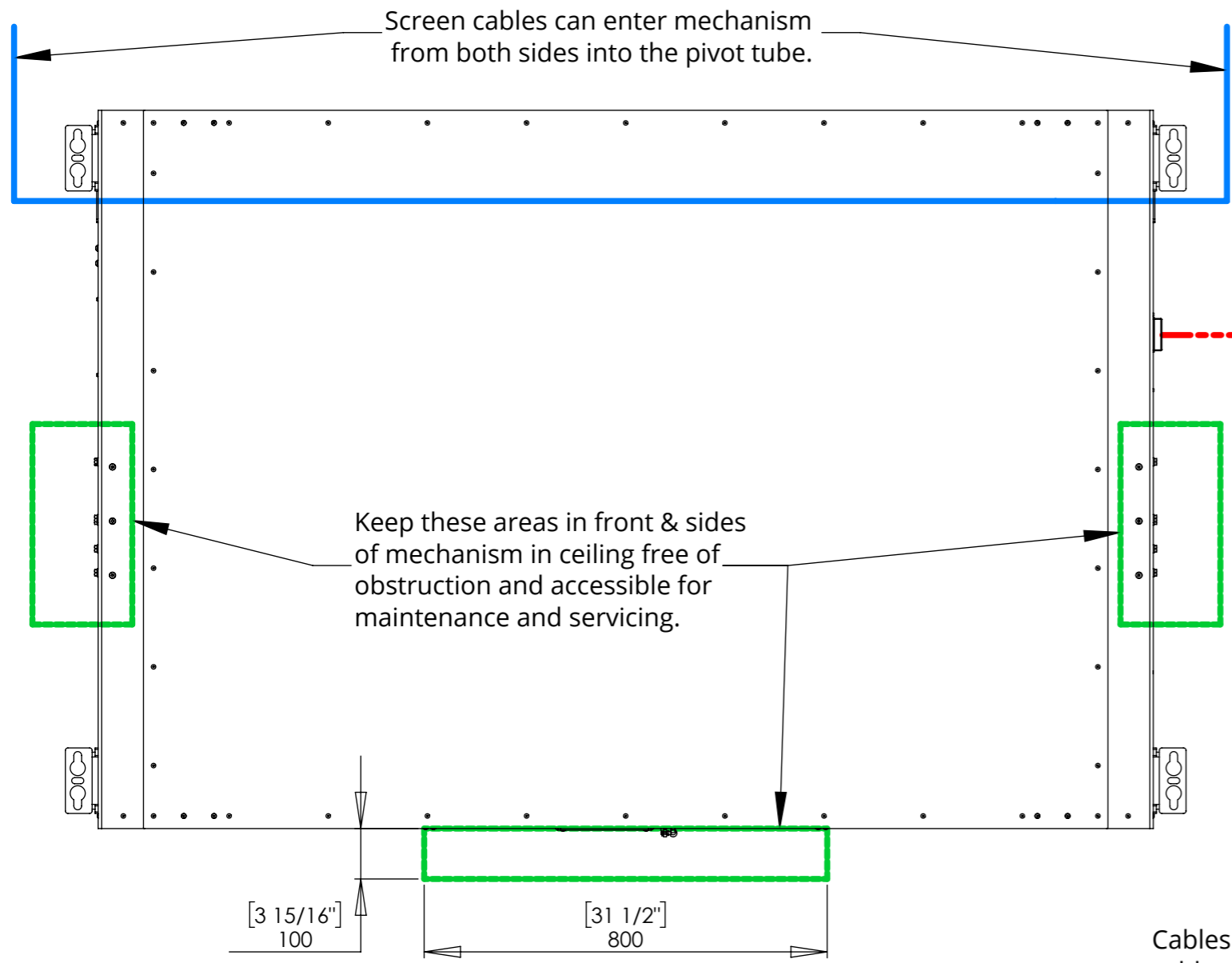
Locking Nut  
(Not Supplied)

Mount brackets can be  
rotated to suit installation  
method / ceiling construction

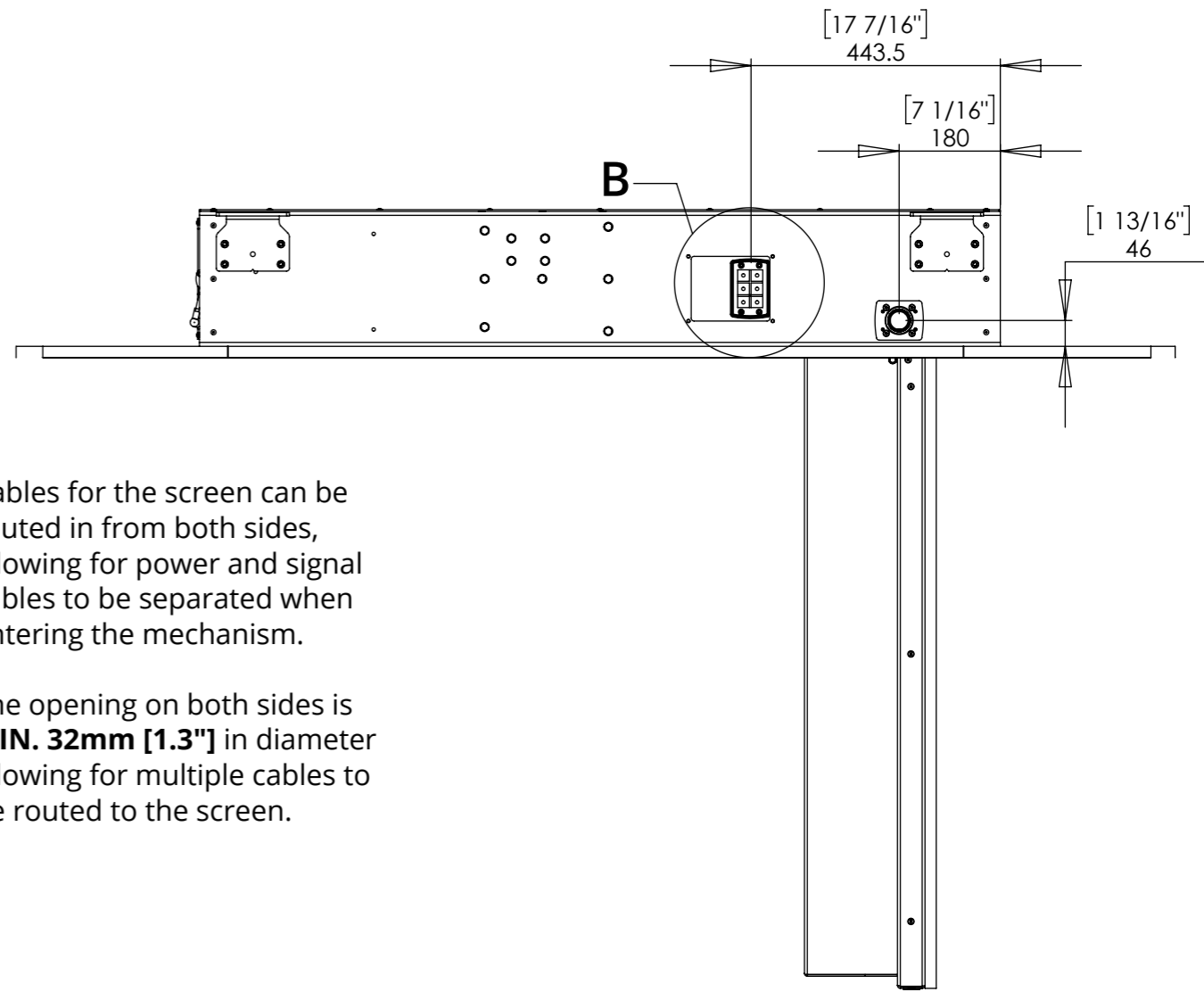
# CHR7-M

## MARINE INDOOR CEILING HINGE RANGE

### CEILING PREPARATION



- - - - - Mechanism Power and Control Cables.
- Screen power and Signal

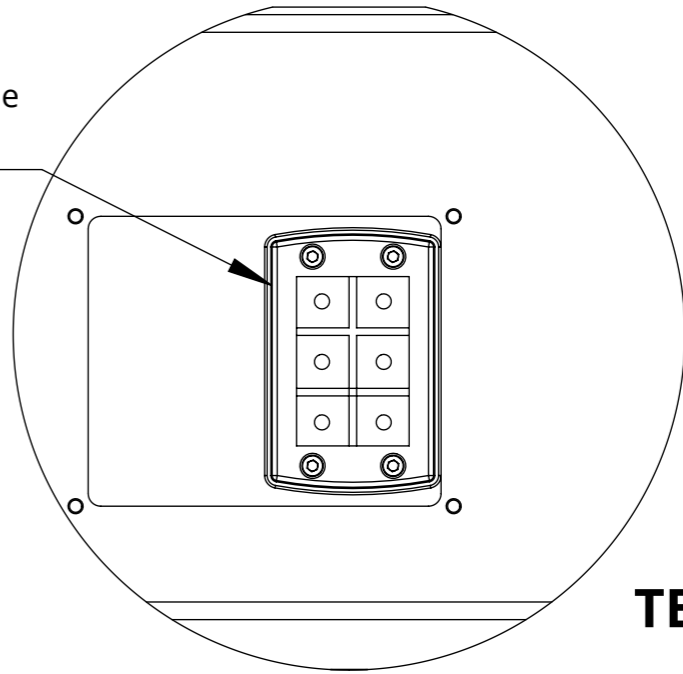


Cables for the screen can be routed in from both sides, allowing for power and signal cables to be separated when entering the mechanism.

The opening on both sides is **MIN. 32mm [1.3"]** in diameter allowing for multiple cables to be routed to the screen.

Cables pass through easily removable cable gland plates into mechanism.

Additional glands to suit different cable sizes are available on request.

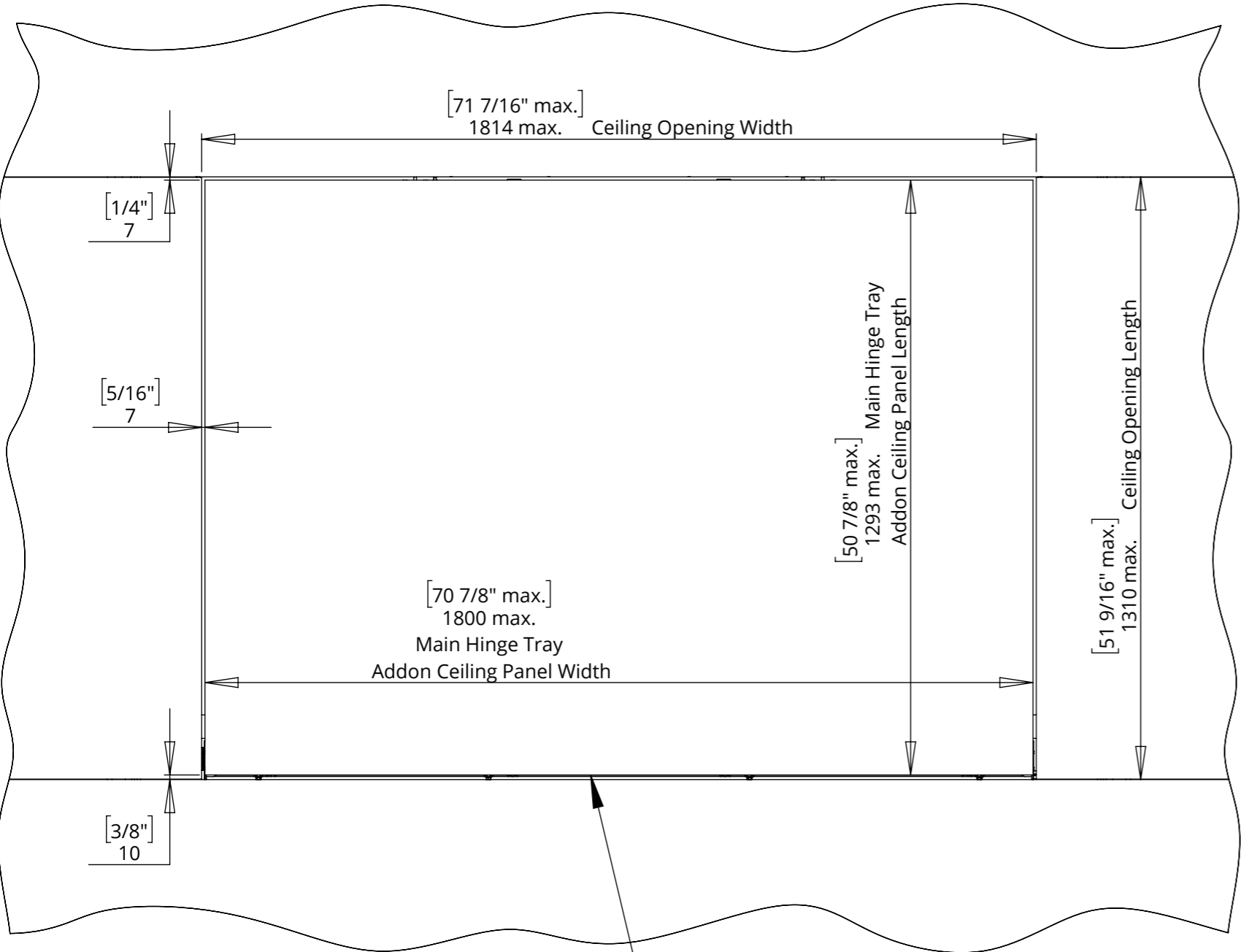


**DETAIL B**  
SCALE 1 : 3

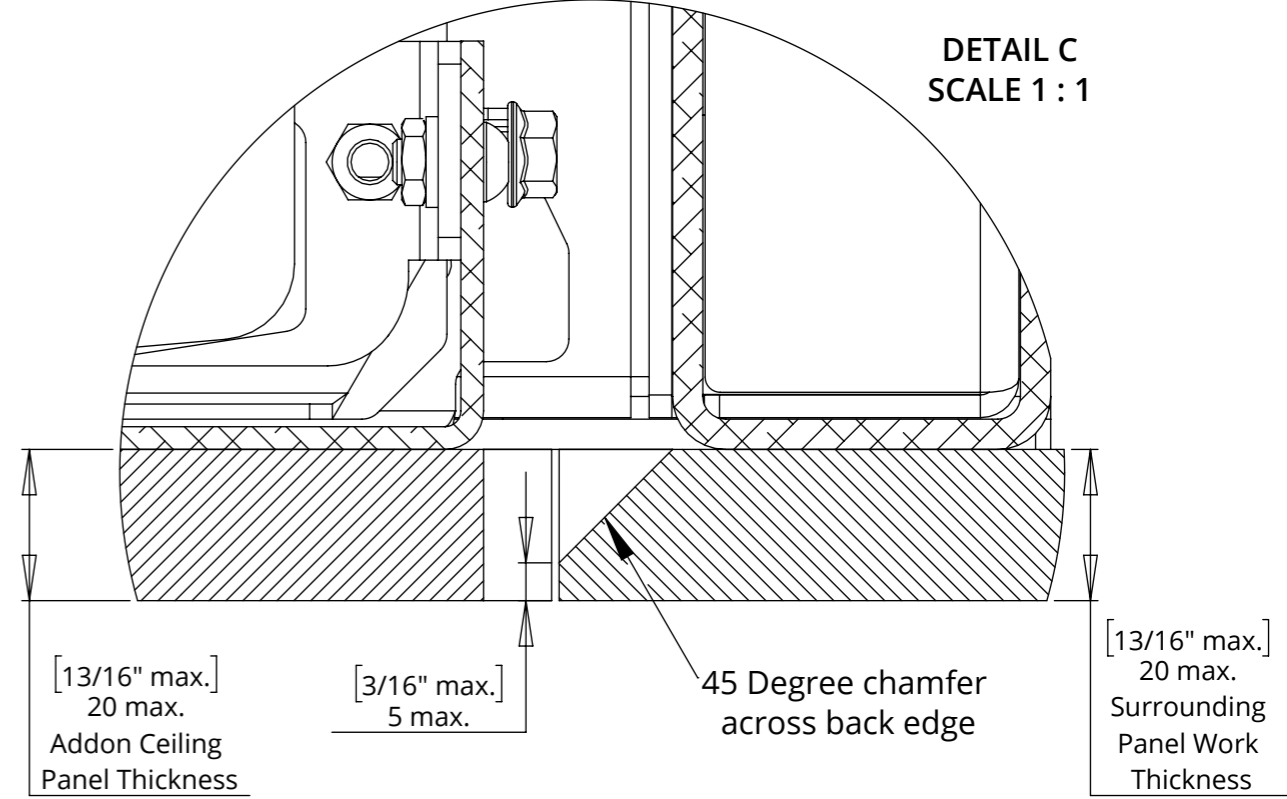
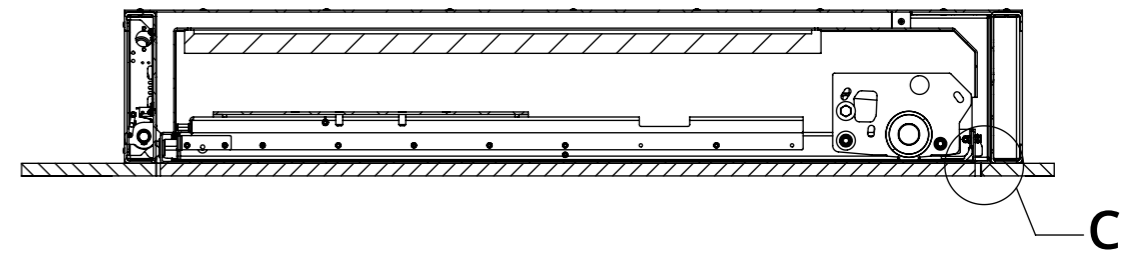
# CHR7-M

## MARINE INDOOR CEILING HINGE RANGE

### CEILING DETAILS



Mechanism designed to work with min. 7mm [0.3"] shadow gaps at Front and Sides



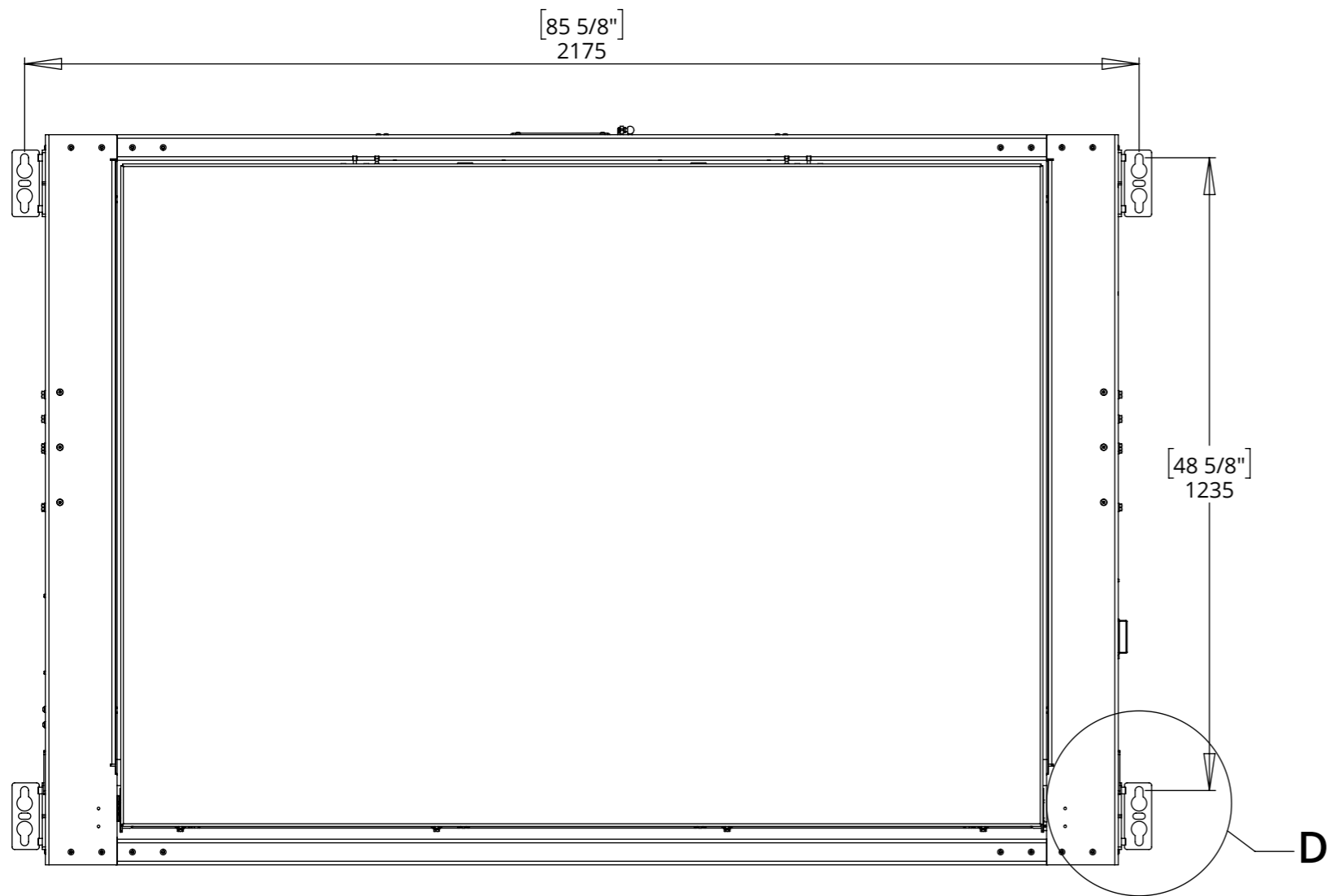
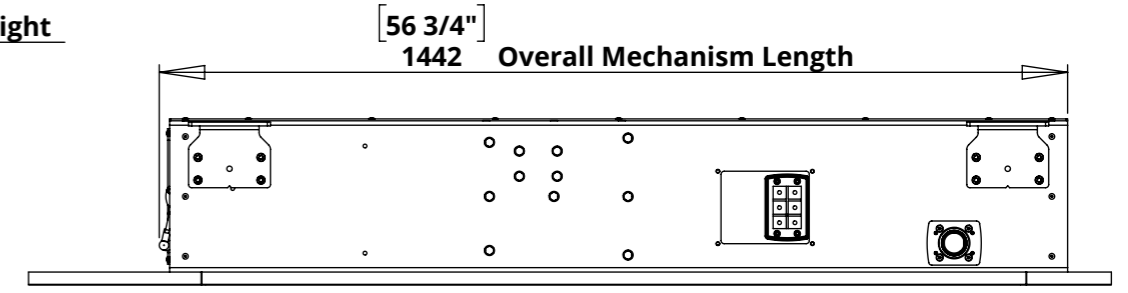
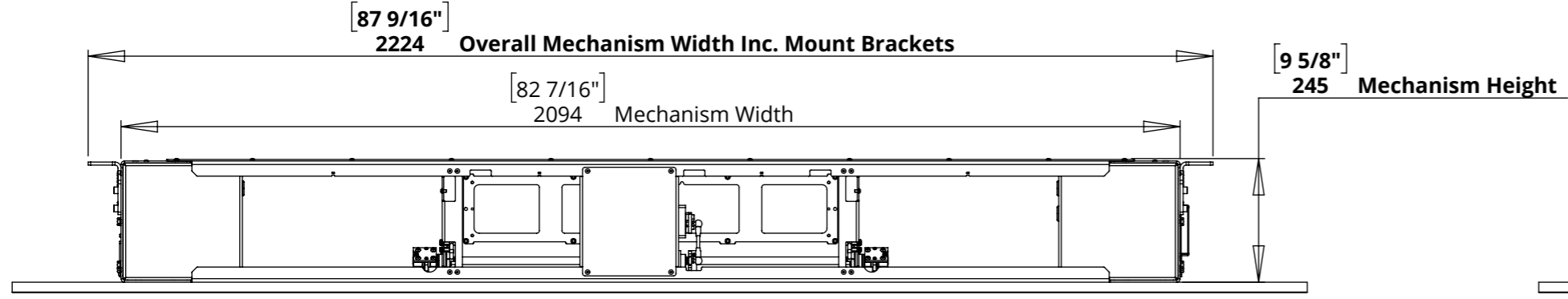
**Ensure all panel work is the same thickness.**

**Weight of all add-on panel work must be included in maximum mechanism lifting capacity.**

# CHR7-M

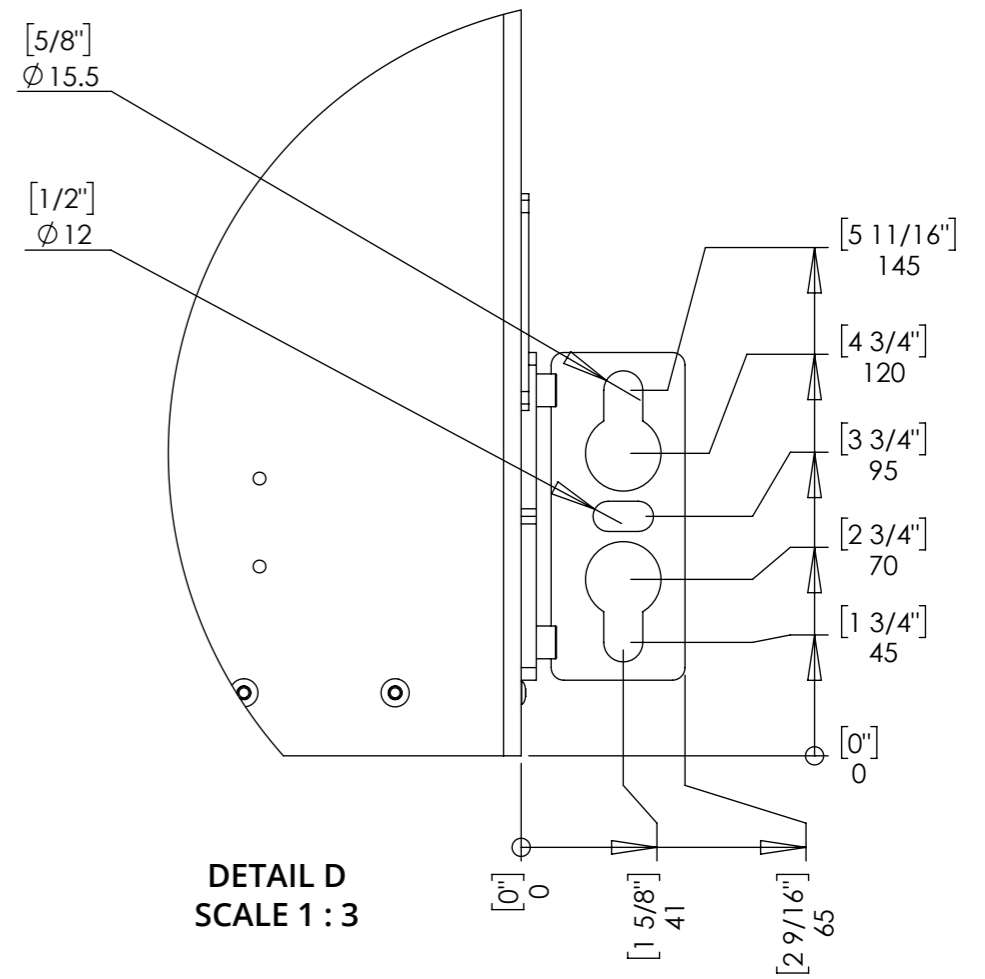
## MARINE INDOOR CEILING HINGE RANGE

### MECHANISM DIMENSIONS - CLOSED



#### FIXING DETAIL

Mechanism mounted on M12 [0.5] Studding or fixed to underside of the ceiling joist structure, both using the mounting brackets installed on mechanism as standard



DETAIL D  
SCALE 1 : 3

# CHR7-M

## MARINE INDOOR CEILING HINGE RANGE

### MECHANISM DIMENSIONS - OPEN

