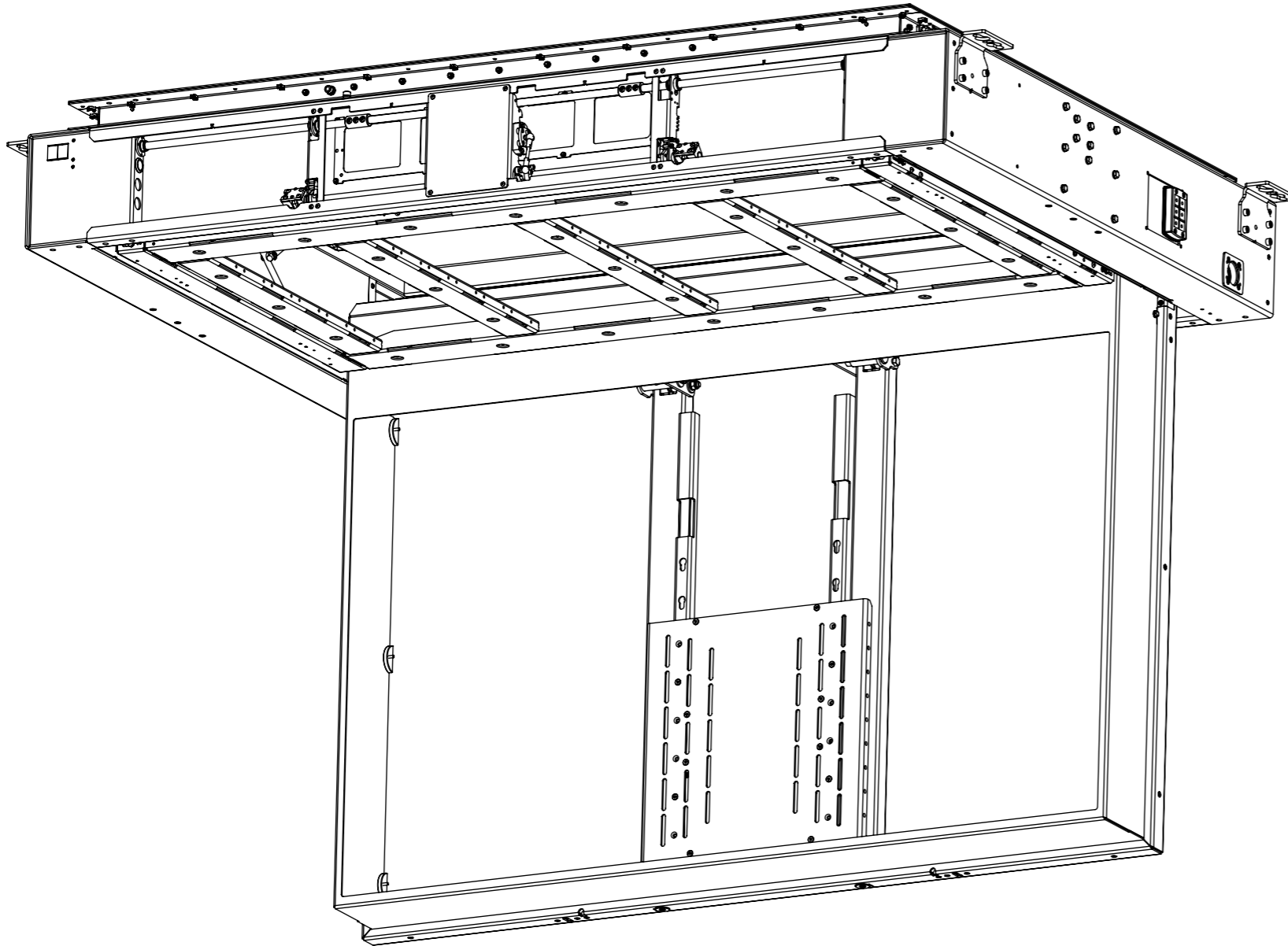
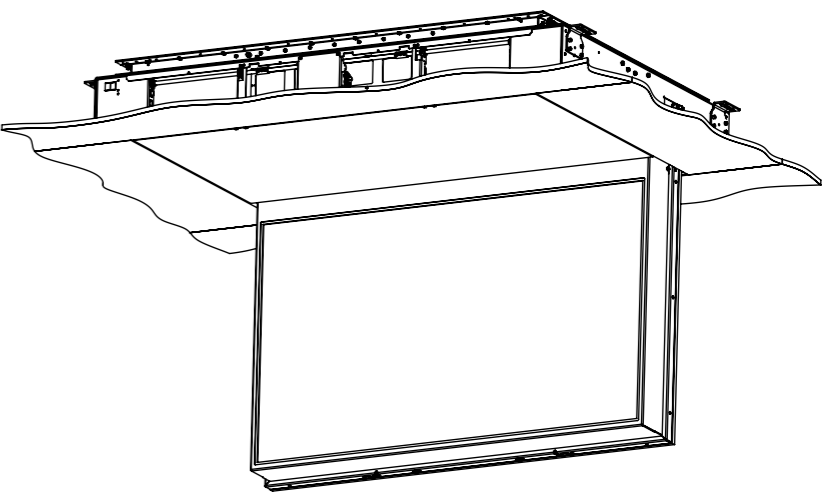
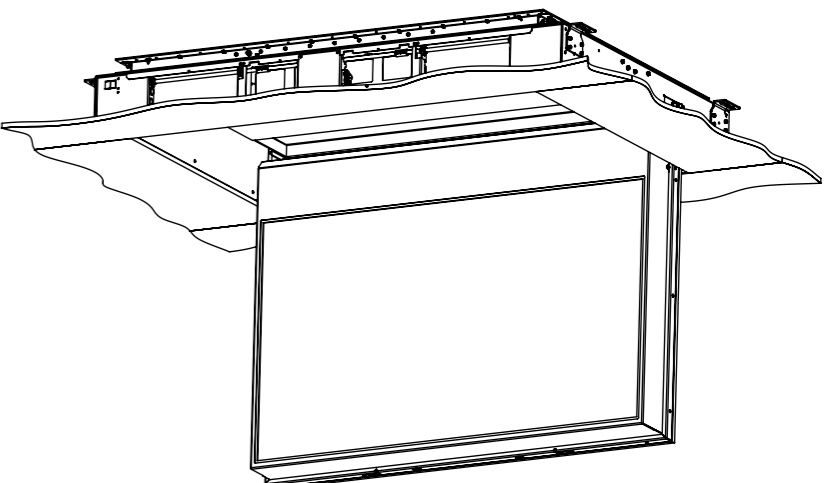
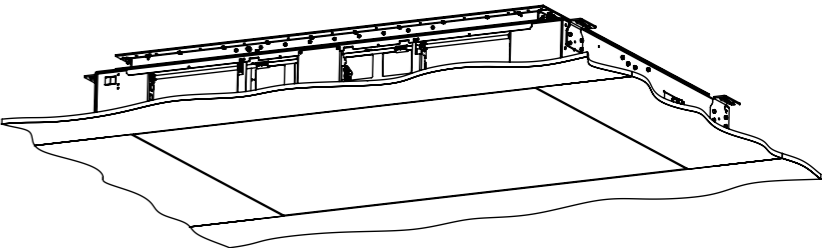


CHR7-M-DDP

MARINE INDOOR CEILING HINGE RANGE WITH DROP DOWN PANEL



MECHANISM AS SUPPLIED



CHR7-M-DDP

MARINE INDOOR CEILING HINGE RANGE WITH DROP DOWN PANEL



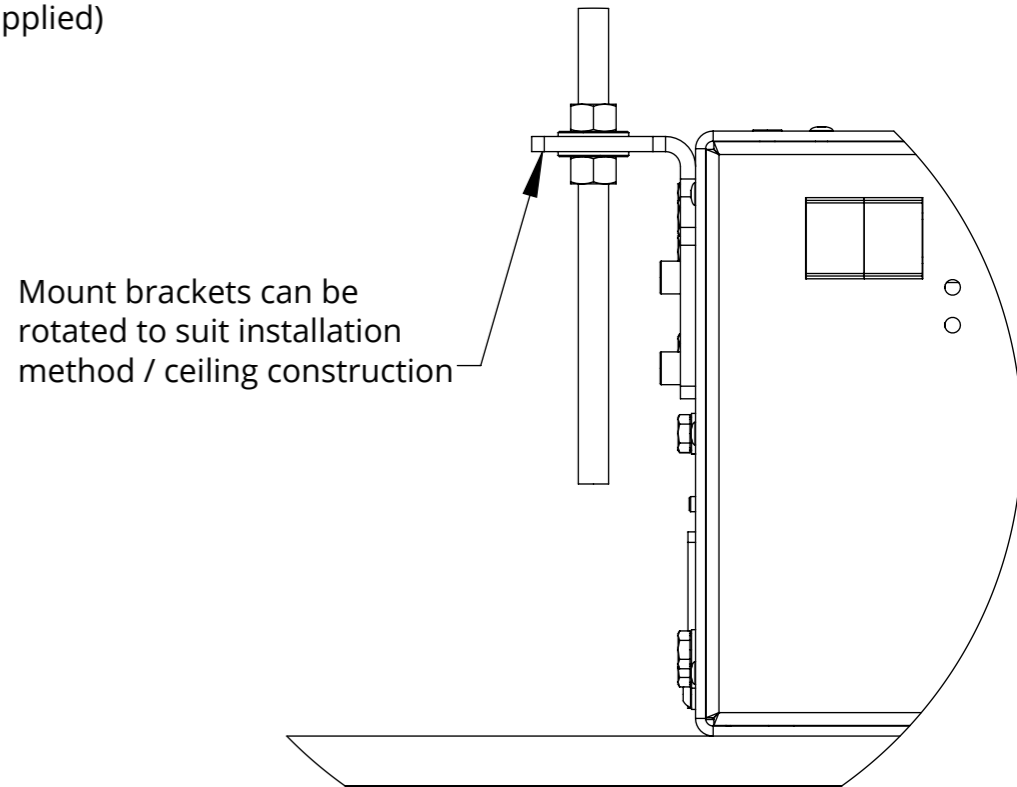
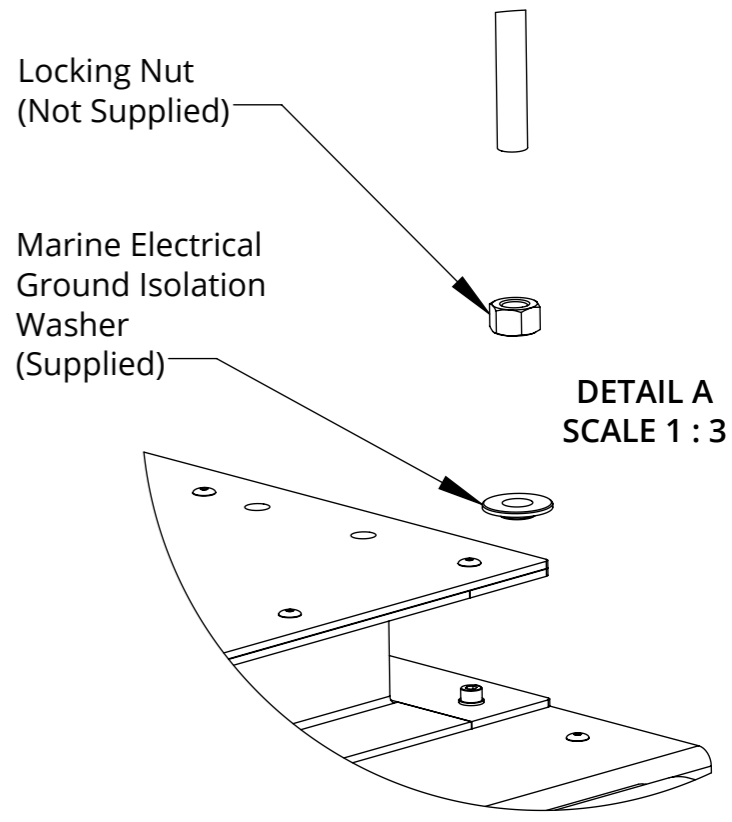
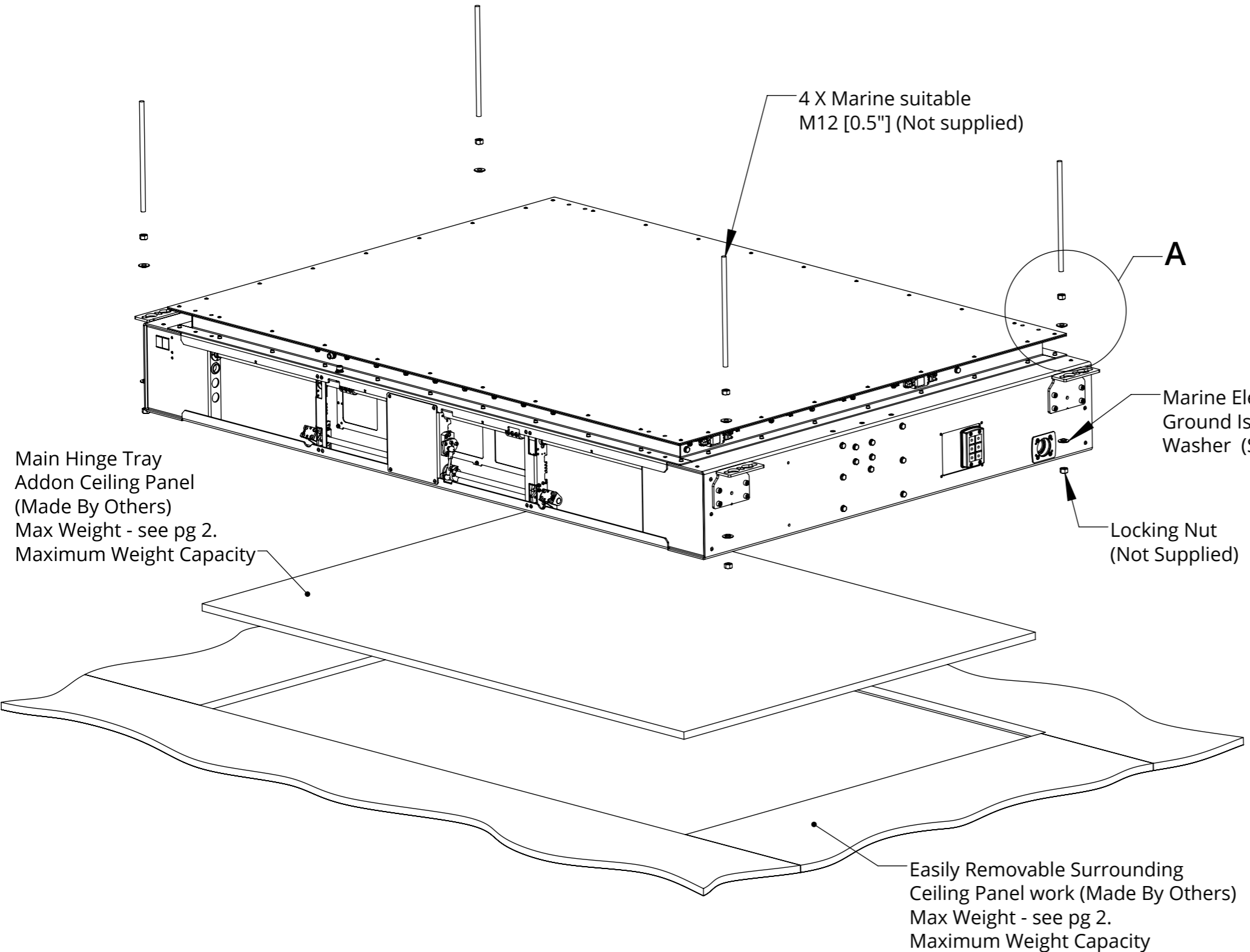
future automation

SPECIFICATION	MEASUREMENTS
Product Dimensions	2224mm [87 9/16"] W x 1442mm [56 3/4 "] L x 302mm [11 7/8 "] D
Product Weight	230Kg [507lb]
Maximum Screen Size (≤70mm D)	1730mm [68 1/8 "] W x 1010mm [39 3/4 "] L x 70mm [2 3/4 "] D
Maximum Screen Size (>70mm D)	1730mm [68 1/8 "] W x 980mm [38 9/16"] L x 120mm [4 3/4 "] D
Maximum Weight Capacity	150Kg [331lb] Max. - Inc 30Kg [66lb] Max. Addon Ceiling Panel Main Hinge - Drop Down Panel Max Weight Capacity - 10Kg [22lbs] <i>*Assuming Screen Weight Biased Low (3/4 Screen Height)</i>
Packaging Dimensions	2270mm [89 3/8 "] W x 1600mm [63"] L x 550mm [21 5/8 "] D
Shipping Weight	400Kg [881lb]
Maximum Rotation	90°
Movement Type	Motorised
Control System	Housed internally - Accessible through internal access hatch.
Power Supply Required	110V - 240V AC 50/60Hz
Power Consumption Max.	720W
Power Consumption Standby	3W
Mounting Patterns Supported	VESA 400, 300, 200 W x 400, 300, 200 H
Control Options	IR Remote, RS232, Contact Closure
Product Options / Features	Specific B&O and Loewe mounts / adapters, Custom RAL paint finishes, Marine suitable version
Package Contents	Mechanism, IR remote control
Environment	Marine Indoor
Colour	WHITE - RAL9910 Satin Finish
Marine Suitable	Yes - Marine Locks for secure stowing when not in use

CHR7-M-DDP

MARINE INDOOR CEILING HINGE RANGE WITH DROP DOWN PANEL

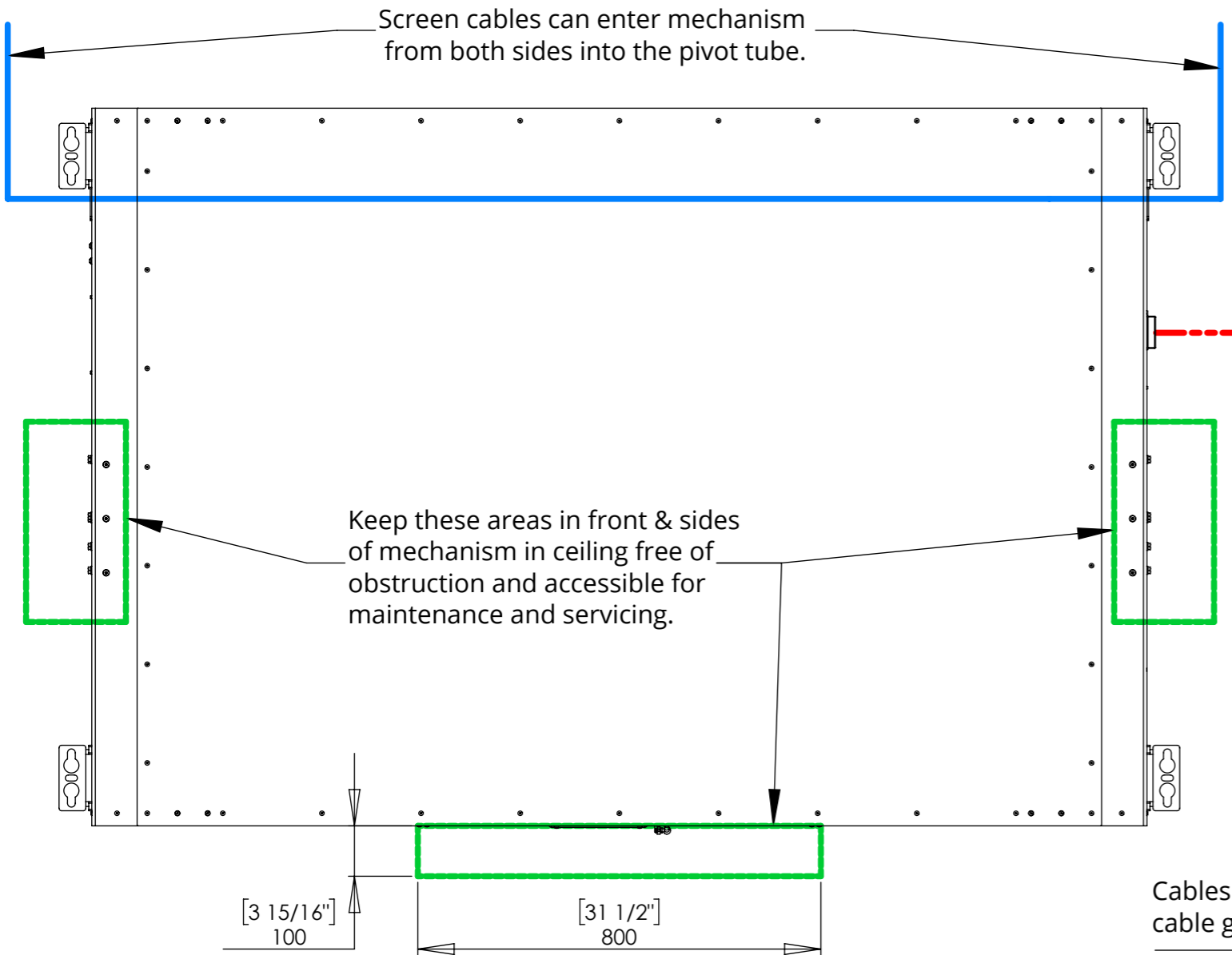
MECHANISM MOUNTING DETAILS



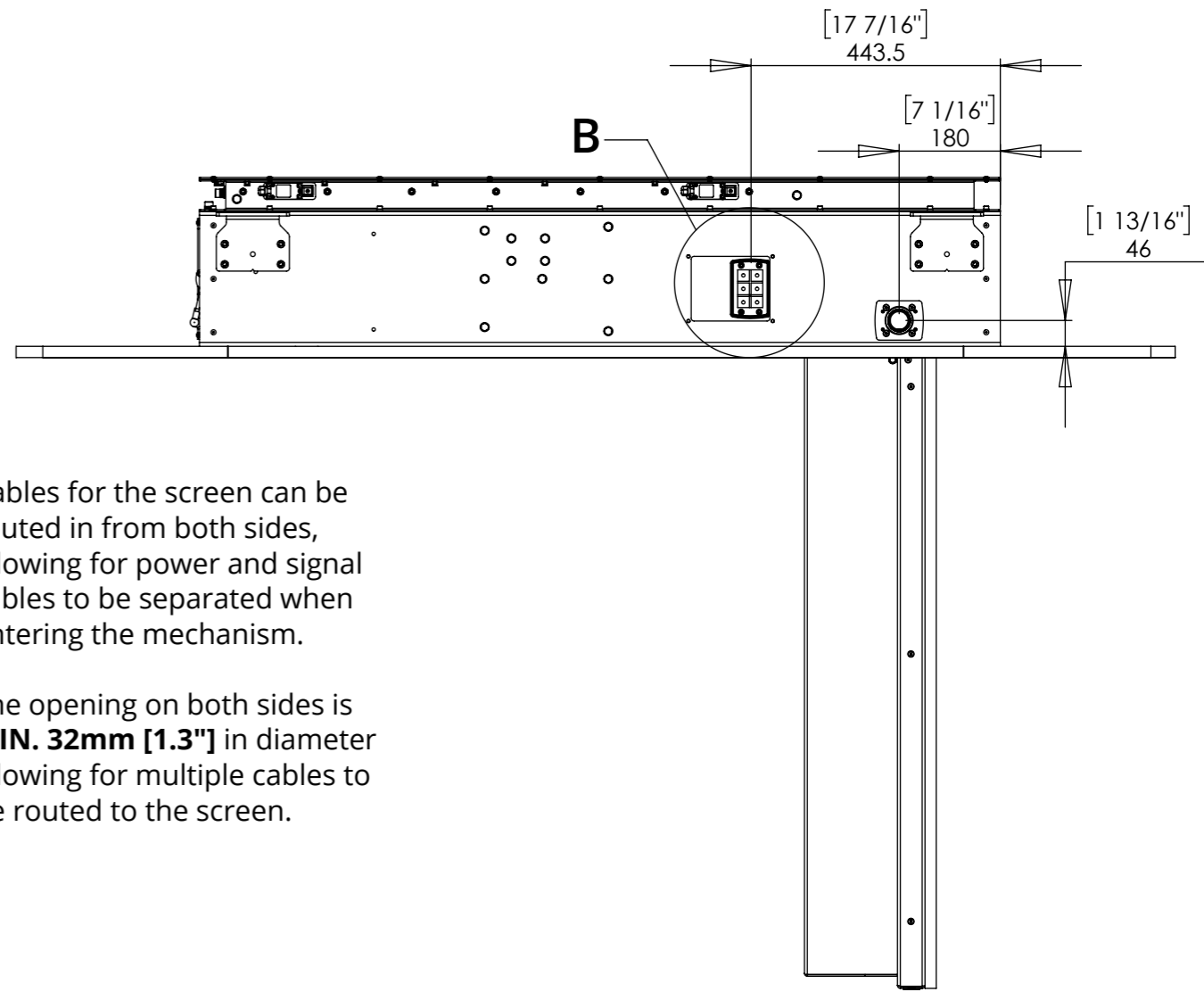


CHR7-M-DDP MARINE INDOOR CEILING HINGE RANGE WITH DROP DOWN PANEL

CEILING PREPARATION



- Mechanism Power and Control Cables.
- Screen power and Signal

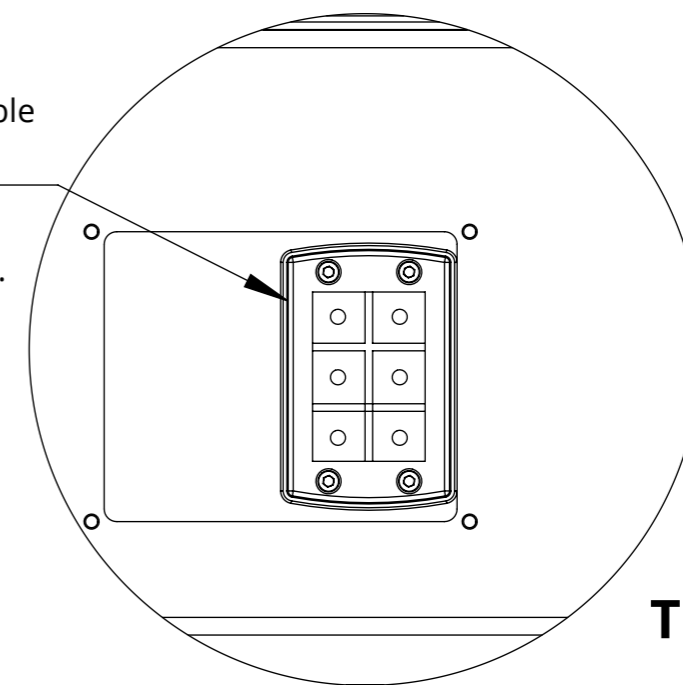


Cables for the screen can be routed in from both sides, allowing for power and signal cables to be separated when entering the mechanism.

The opening on both sides is **MIN. 32mm [1.3"]** in diameter allowing for multiple cables to be routed to the screen.

Cables pass through easily removable cable gland plates into mechanism.

Additional glands to suit different cable sizes are available on request.

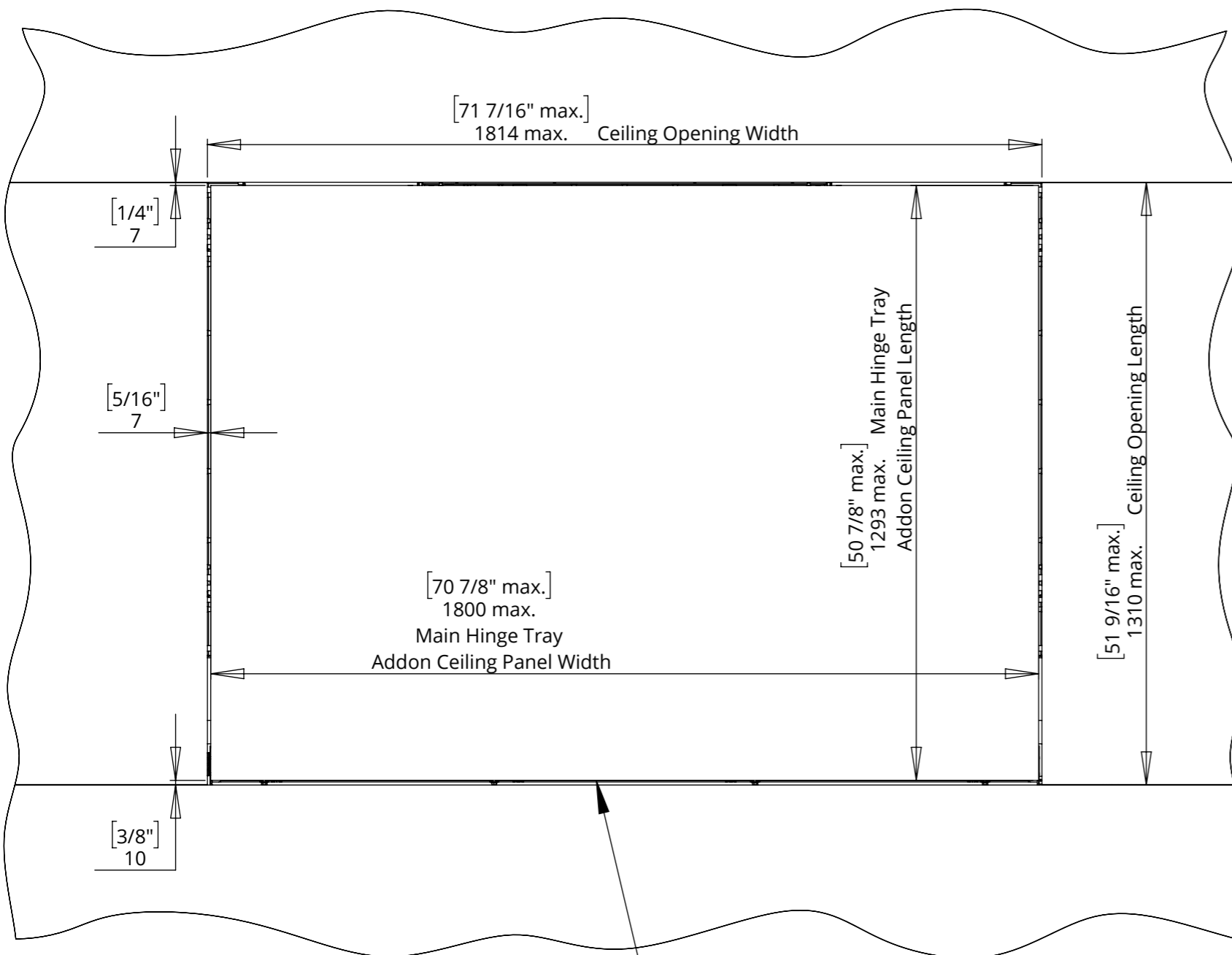




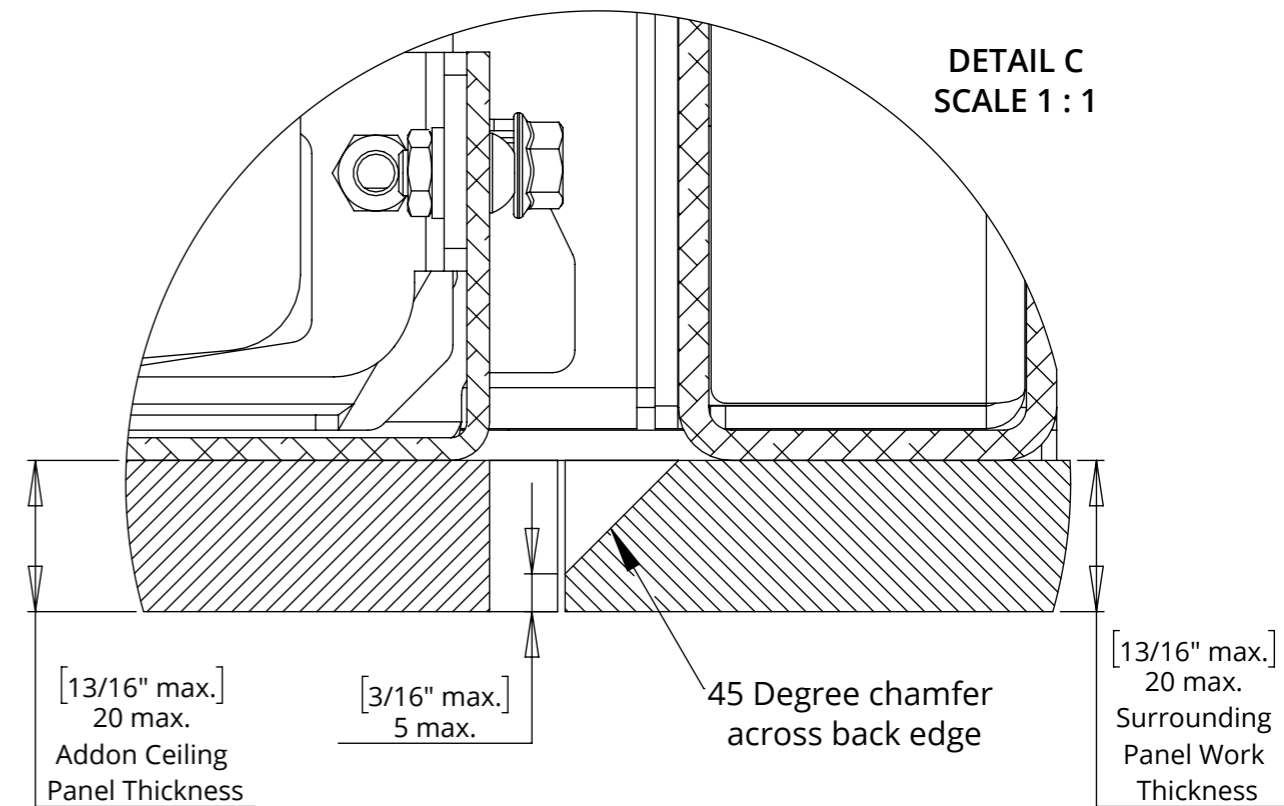
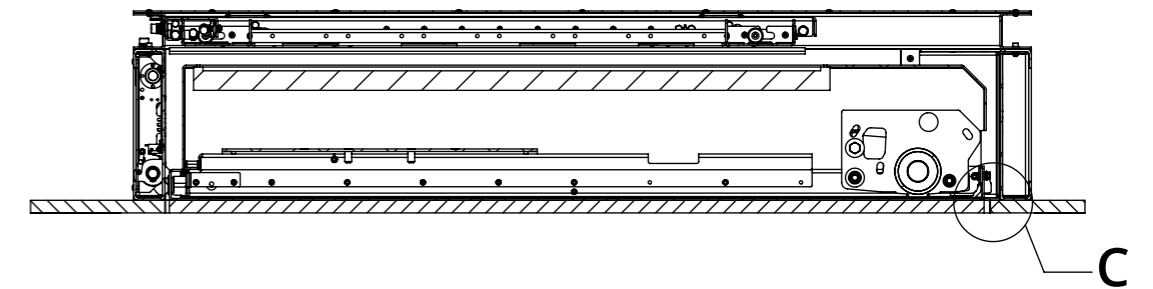
CHR7-M-DDP

MARINE INDOOR CEILING HINGE RANGE WITH DROP DOWN PANEL

CEILING DETAILS



Mechanism designed to work with min. 7mm [0.3"] shadow gaps at Front and Sides



Ensure all panel work is the same thickness.

Weight of all add-on panel work must be included in maximum mechanism lifting capacity.

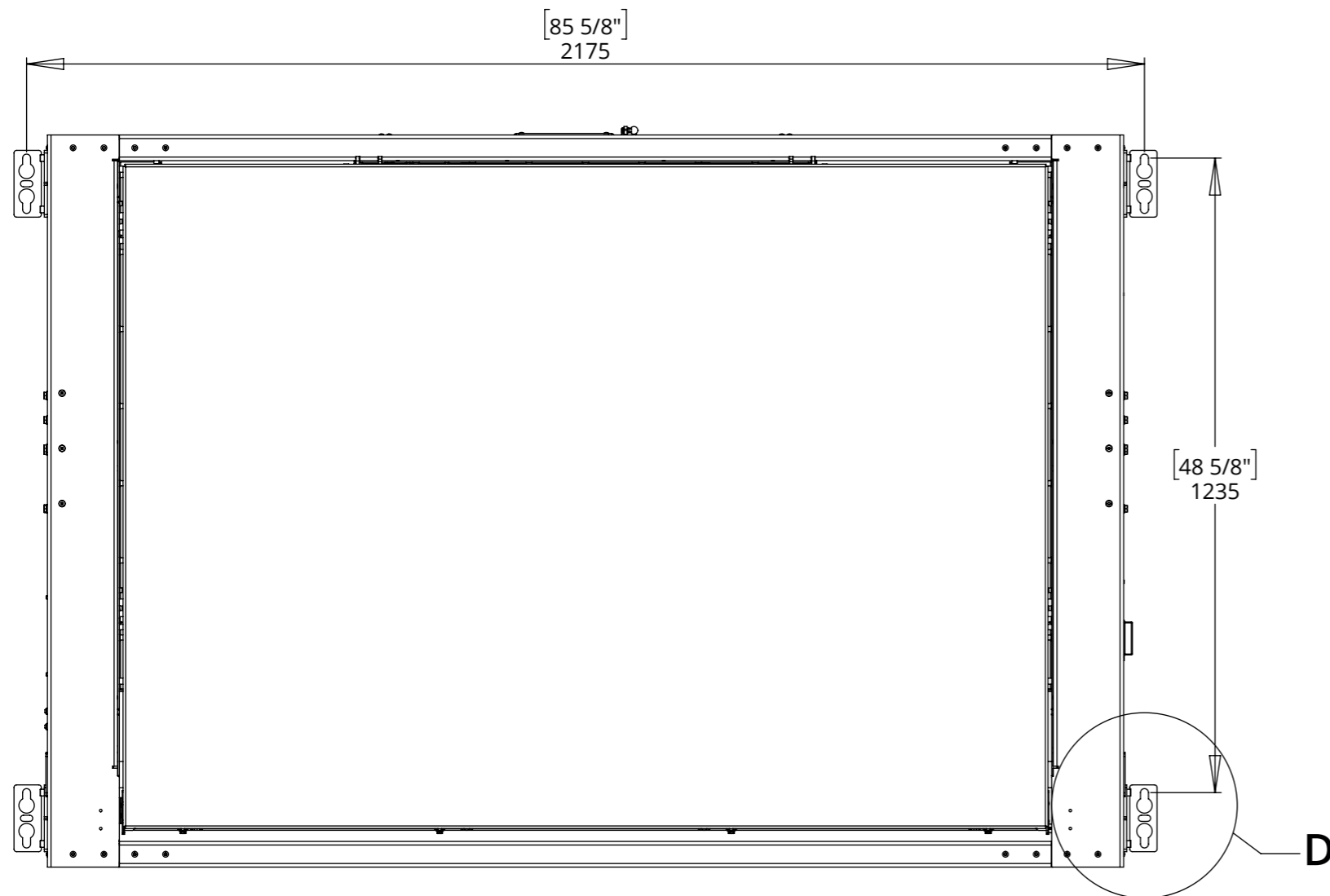
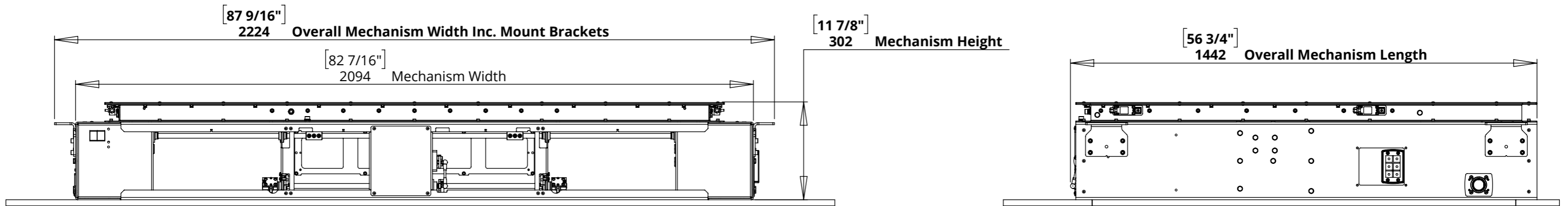
CHR7-M-DDP

MARINE INDOOR CEILING HINGE RANGE WITH DROP DOWN PANEL



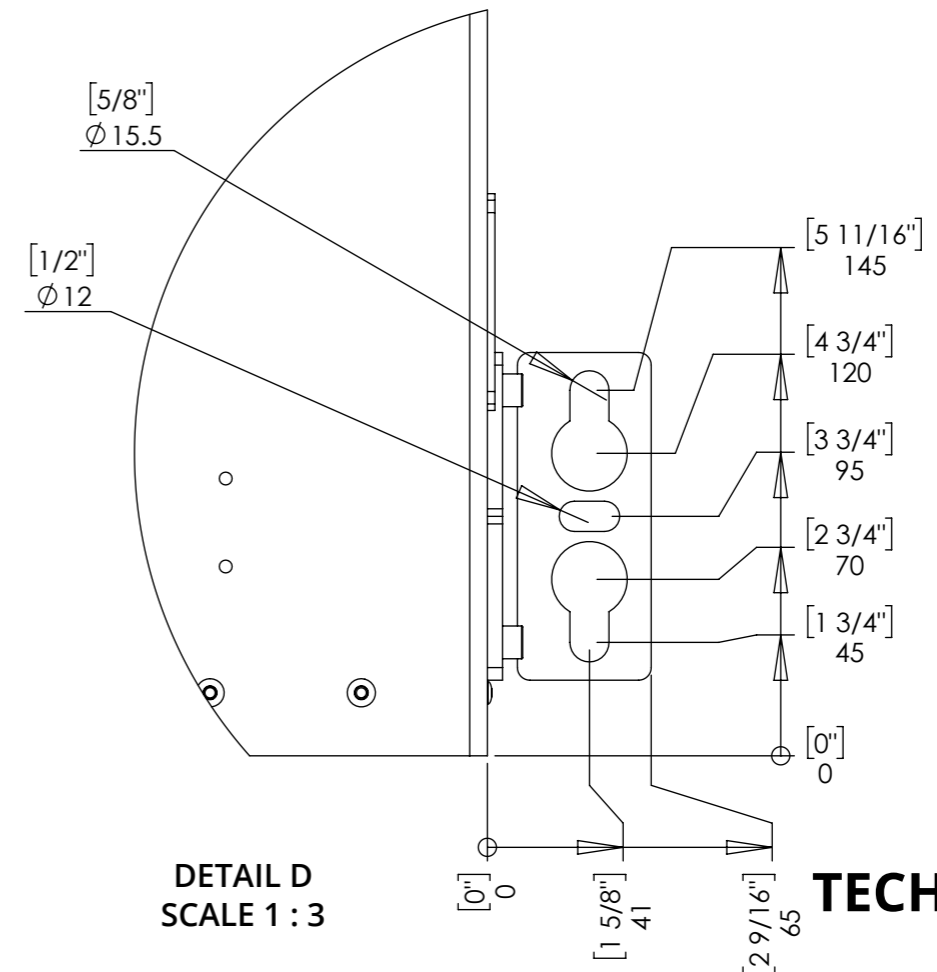
future automation

MECHANISM DIMENSIONS - CLOSED



FIXING DETAIL

Mechanism mounted on M12 [0.5] Studding or fixed to underside of the ceiling joist structure, both using the mounting brackets installed on mechanism as standard



DETAIL D
SCALE 1 : 3

TECHNICAL SHEET

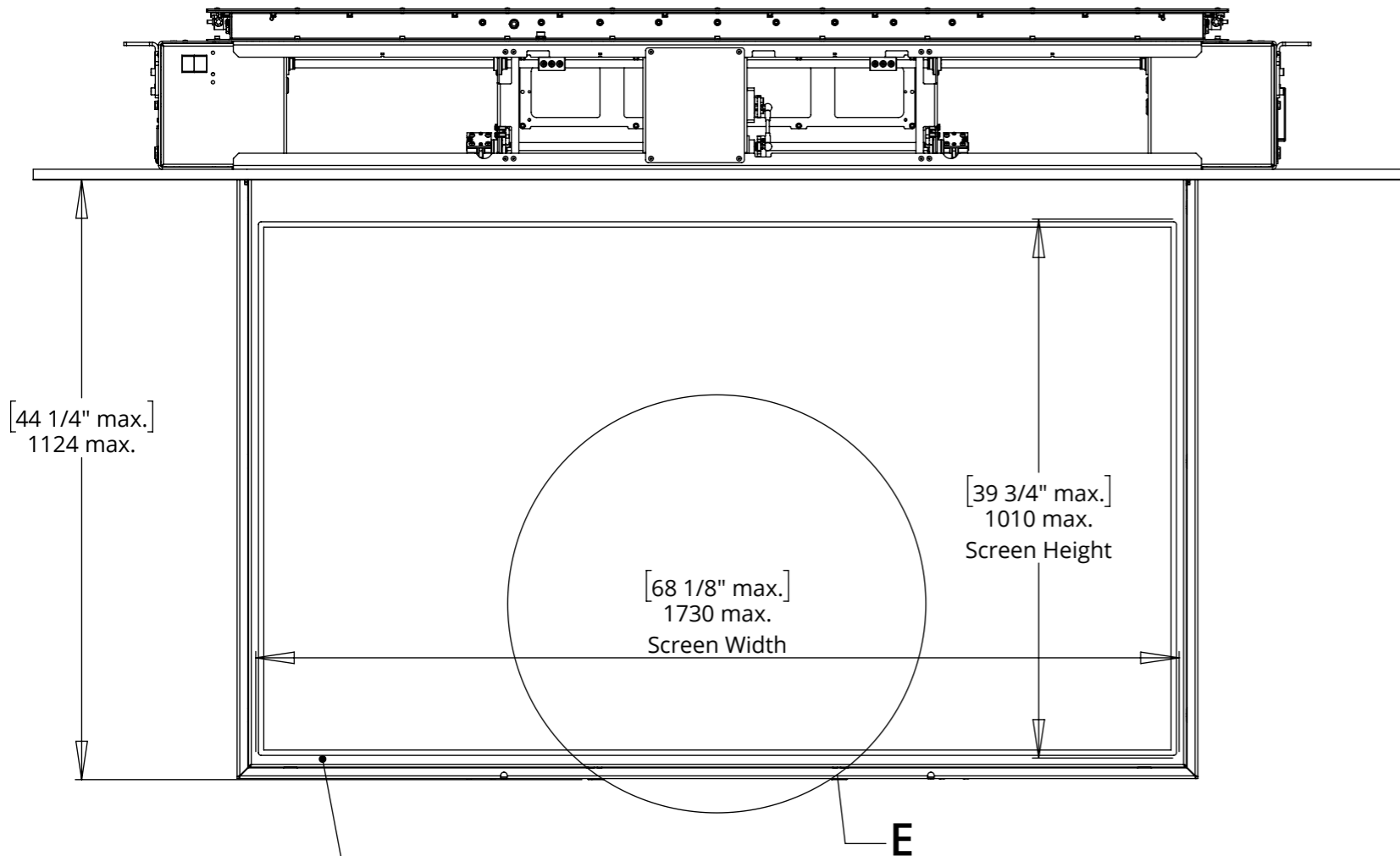
ISSUE 004
SHEET 6



CHR7-M-DDP

MARINE INDOOR CEILING HINGE RANGE WITH DROP DOWN PANEL

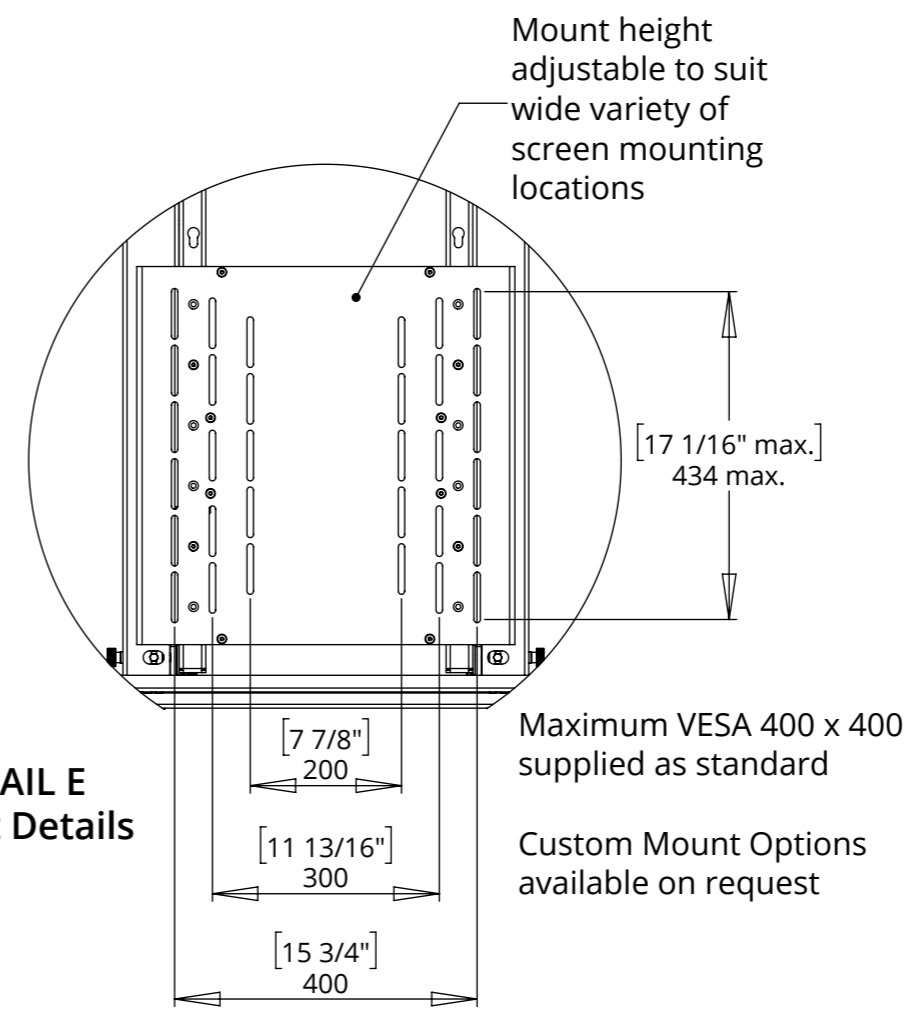
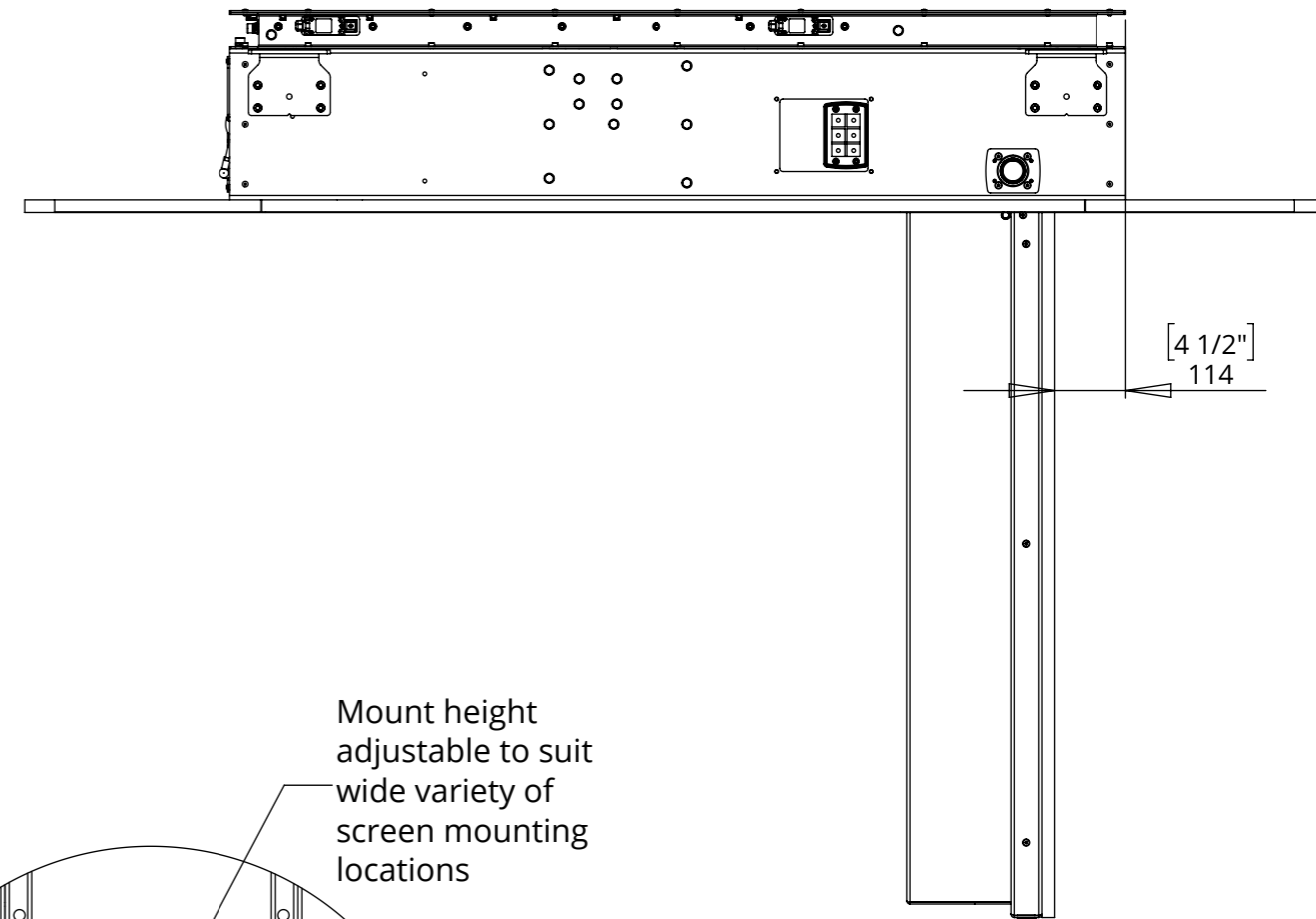
MECHANISM DIMENSIONS - OPEN



Shown with custom screen surround.

Supplied at request, screen details required at point of order.

Screen surround overlaps screen on all edges by 5mm as standard. If required this can be customised to suit.



DETAIL E
Mount Details

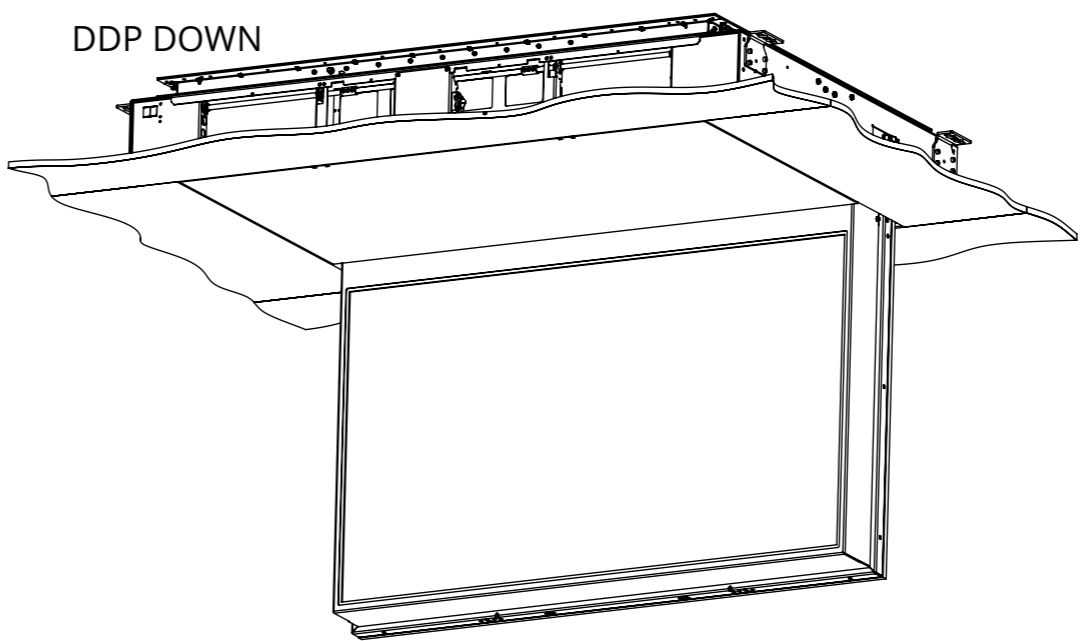
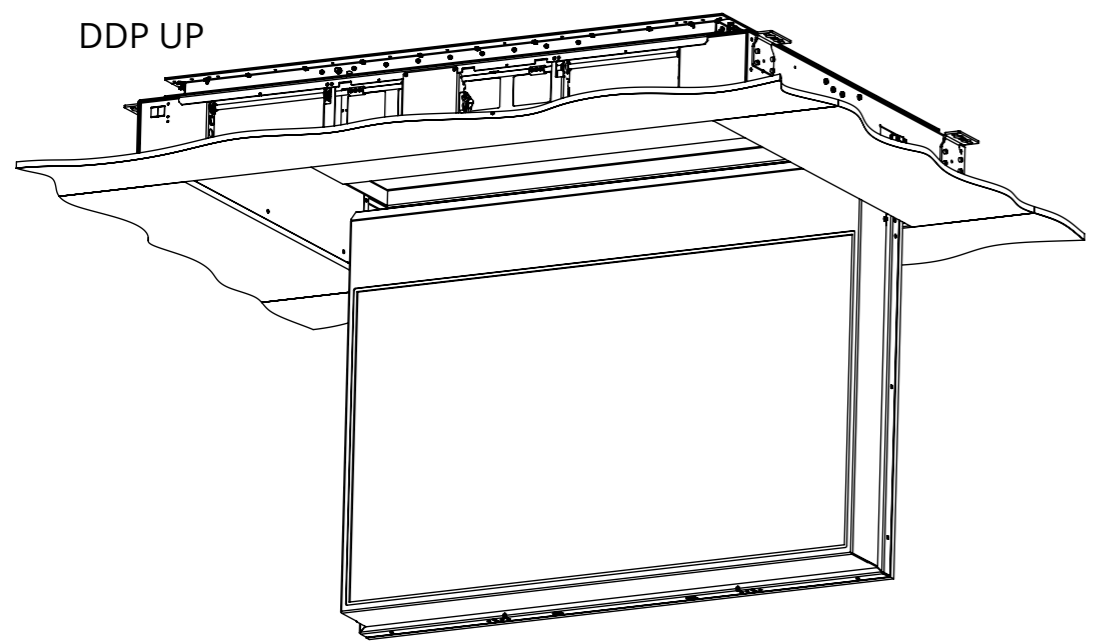
CHR7-M-DDP



future automation

MARINE INDOOR CEILING HINGE RANGE WITH DROP DOWN PANEL

DROP DOWN PANEL DETAILS



Drop Down Panel Max Thickness 10mm [3/8"]

Maximum Weight of Drop Down Panel can be found on Sheet 2

