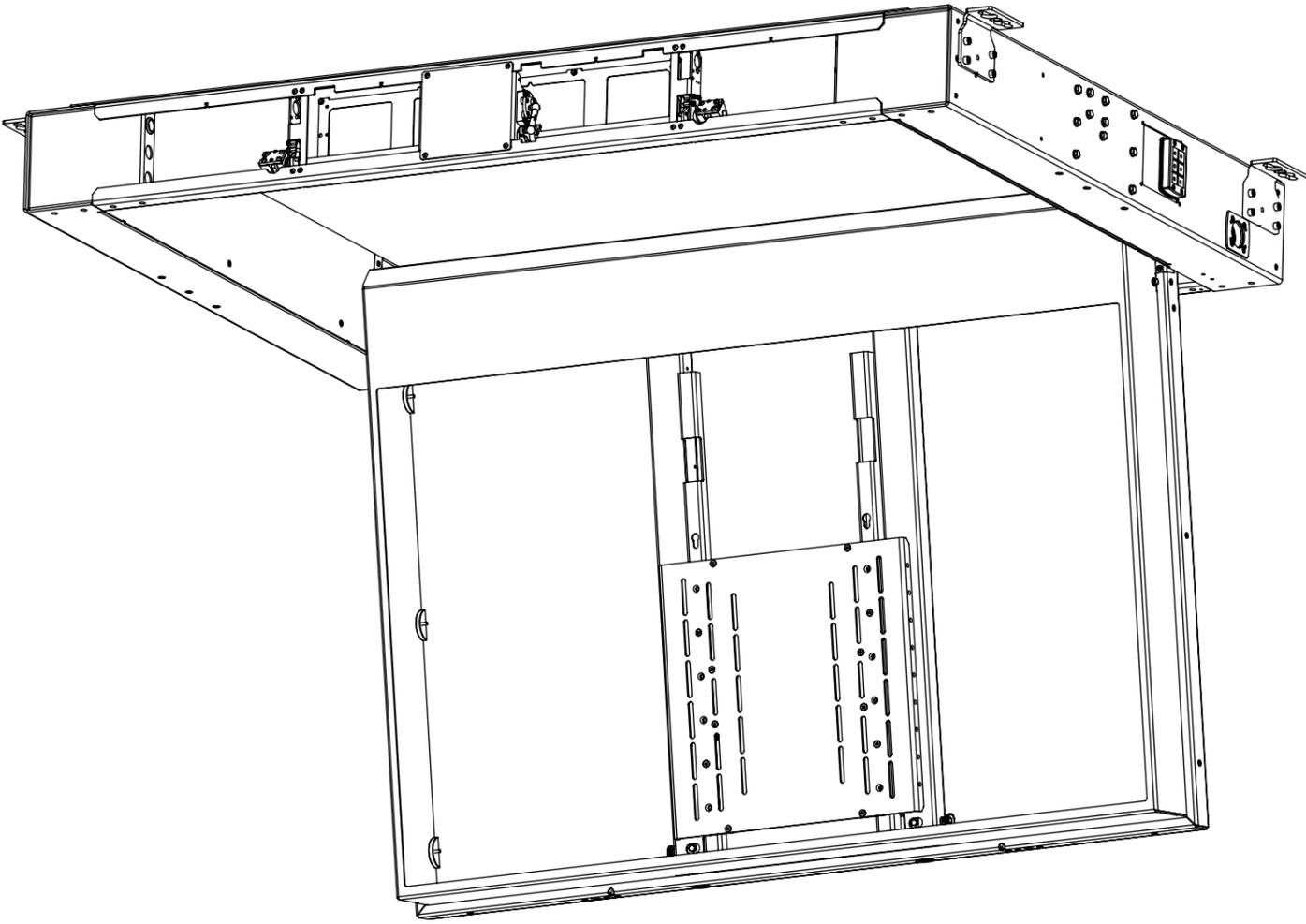
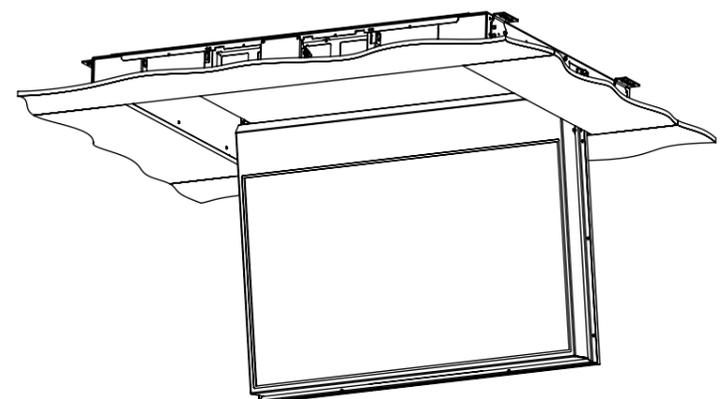
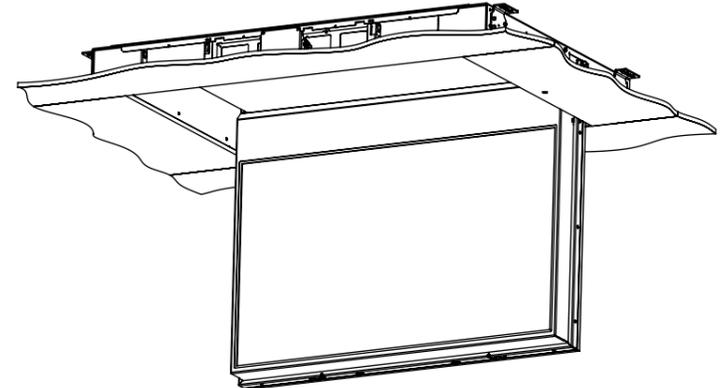
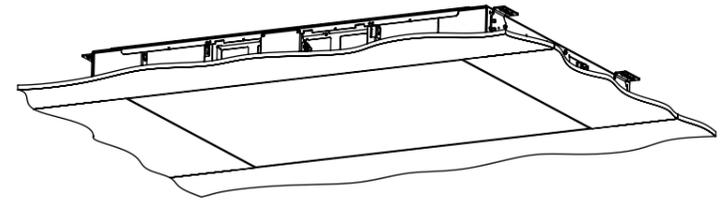


CHR6-M

MARINE INDOOR CEILING HINGE RANGE



MECHANISM AS SUPPLIED



CHR6-M

MARINE INDOOR CEILING HINGE RANGE



future automation

SPECIFICATION	MEASUREMENTS
Product Dimensions	2024mm [79 11/16"] W x 1322mm [52 1/16"] L x 195mm [7 11/16"] D
Product Weight	145Kg [320lb]
Maximum Screen Size (≤70mm D)	1530mm [60 1/4 "] W x 920mm [36 1/4 "] L x 70mm [2 3/4 "] D
Maximum Screen Size (>70mm D)	1530mm [60 1/4 "] W x 890mm [35 1/16"] L x 95mm [3 3/4 "] D
Maximum Weight Capacity	90Kg [198lb] Max. - Inc 30Kg [66lb] Max. Addon Ceiling Panel Main Hinge <i>*Assuming Screen Weight Biased Low (3/4 Screen Height)</i>
Packaging Dimensions	2070mm [81 1/2 "] W x 1480mm [58 1/4 "] L x 440mm [17 5/16"] D
Shipping Weight	270Kg [594lb]
Maximum Rotation	100° - programmable limit to 90°
Movement Type	Motorised
Control System	Housed internally - Accessible through internal access hatch.
Power Supply Required	110V - 240V AC 50/60Hz
Power Consumption Max.	720W
Power Consumption Standby	3W
Mounting Patterns Supported	VESA 400, 300, 200 W x 400, 300, 200 H
Control Options	IR Remote, RS232, Contact Closure
Product Options / Features	Specific B&O and Loewe mounts / adapters, Custom RAL paint finishes, Marine suitable version
Package Contents	Mechanism, IR remote control
Environment	Marine Indoor
Colour	WHITE - RAL9910 Satin Finish
Marine Suitable	Yes - Marine Locks for secure stowing when not in use

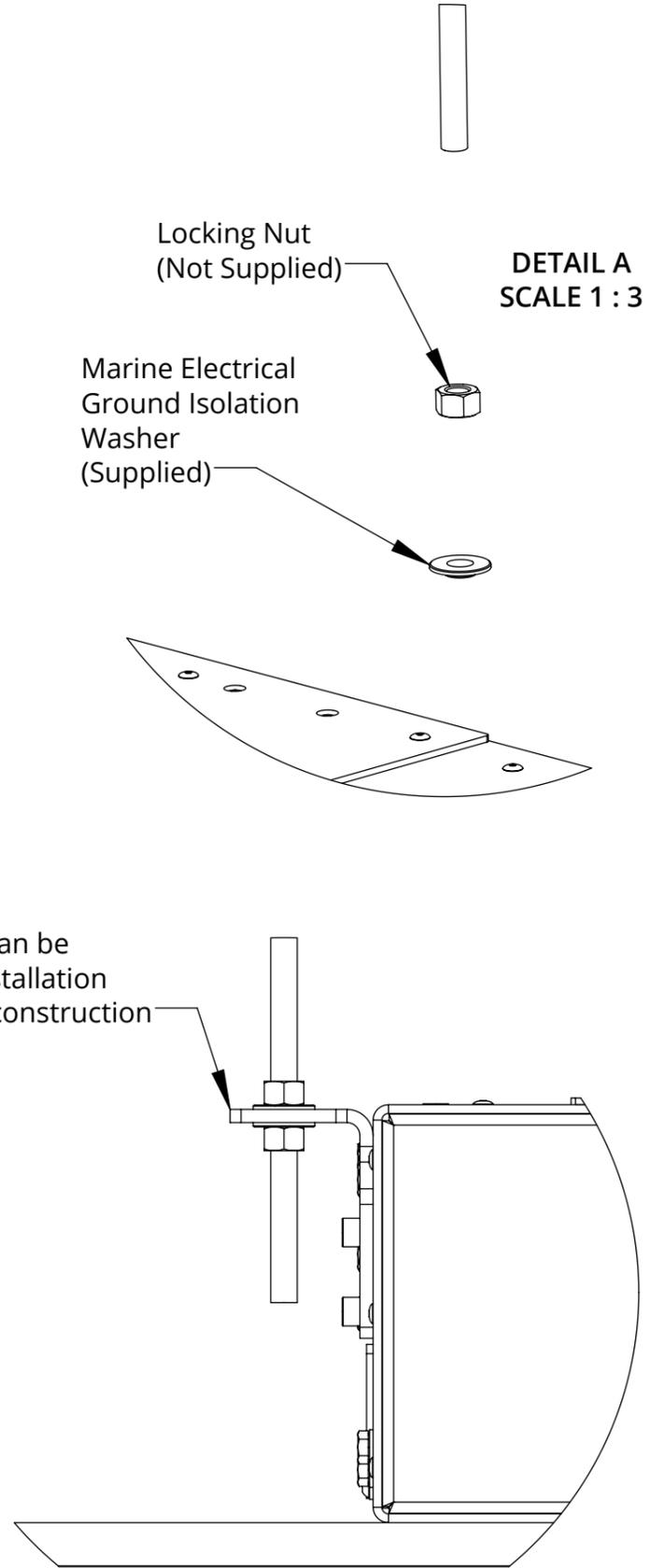
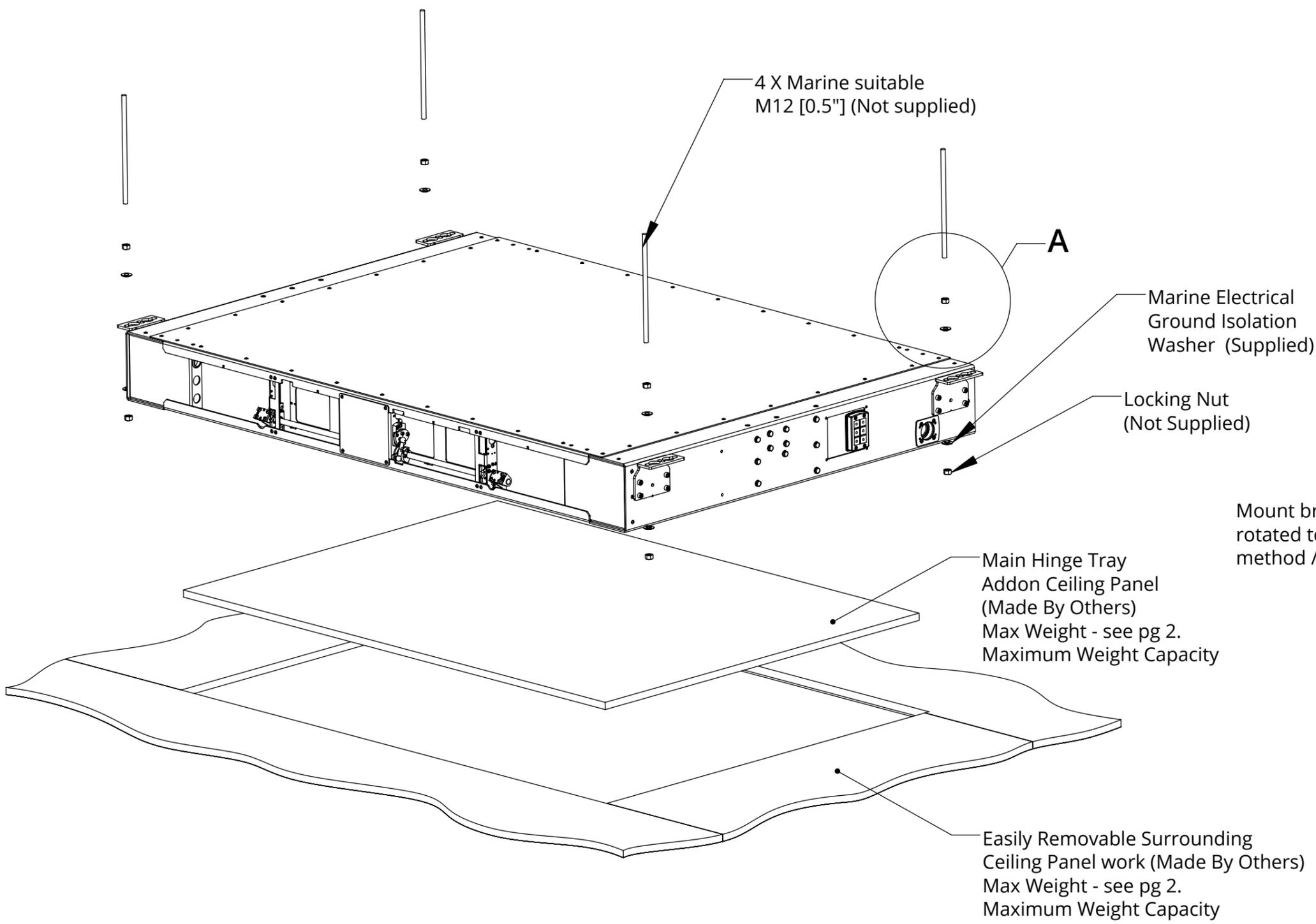
CHR6-M

MARINE INDOOR CEILING HINGE RANGE



future automation

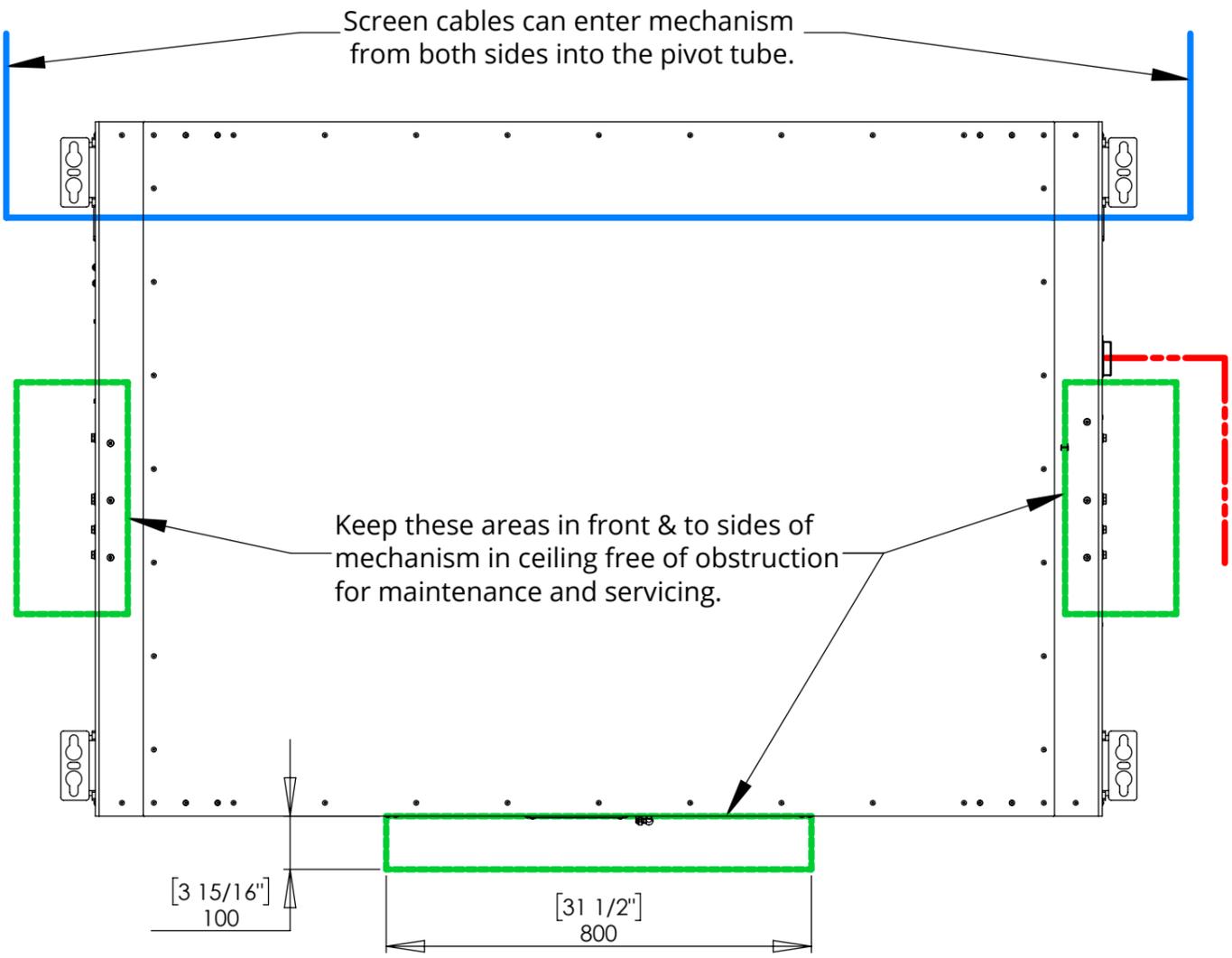
MECHANISM MOUNTING DETAILS



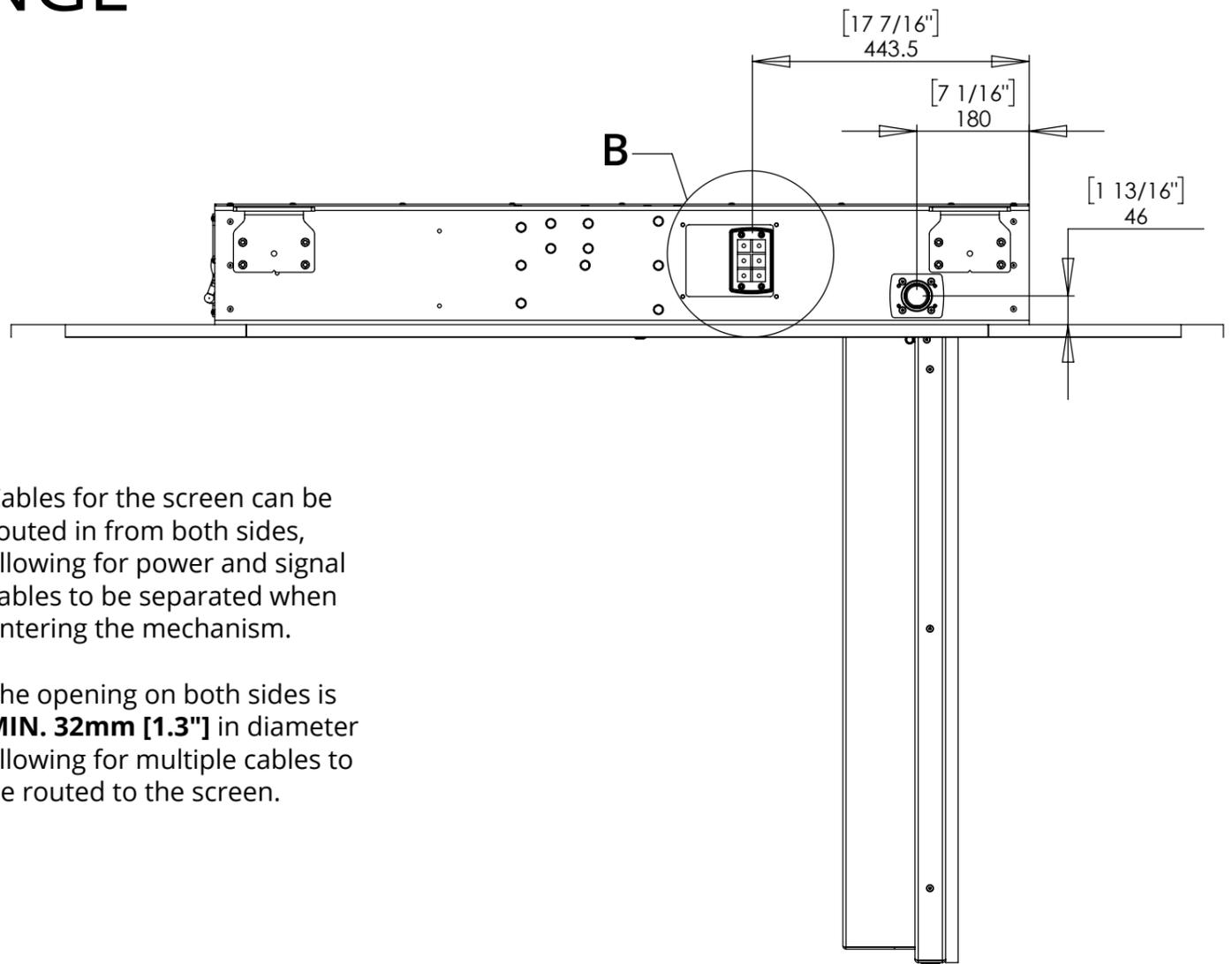
CHR6-M

MARINE INDOOR CEILING HINGE RANGE

CEILING PREPARATION

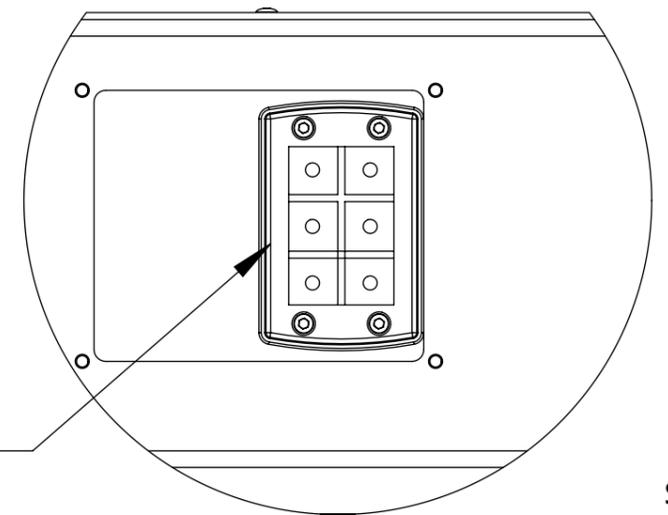


- Mechanism Power and Control Cables.
- Screen power and Signal



Cables for the screen can be routed in from both sides, allowing for power and signal cables to be separated when entering the mechanism.

The opening on both sides is **MIN. 32mm [1.3"]** in diameter allowing for multiple cables to be routed to the screen.



Cables pass through easily removable cable gland plates into mechanism.

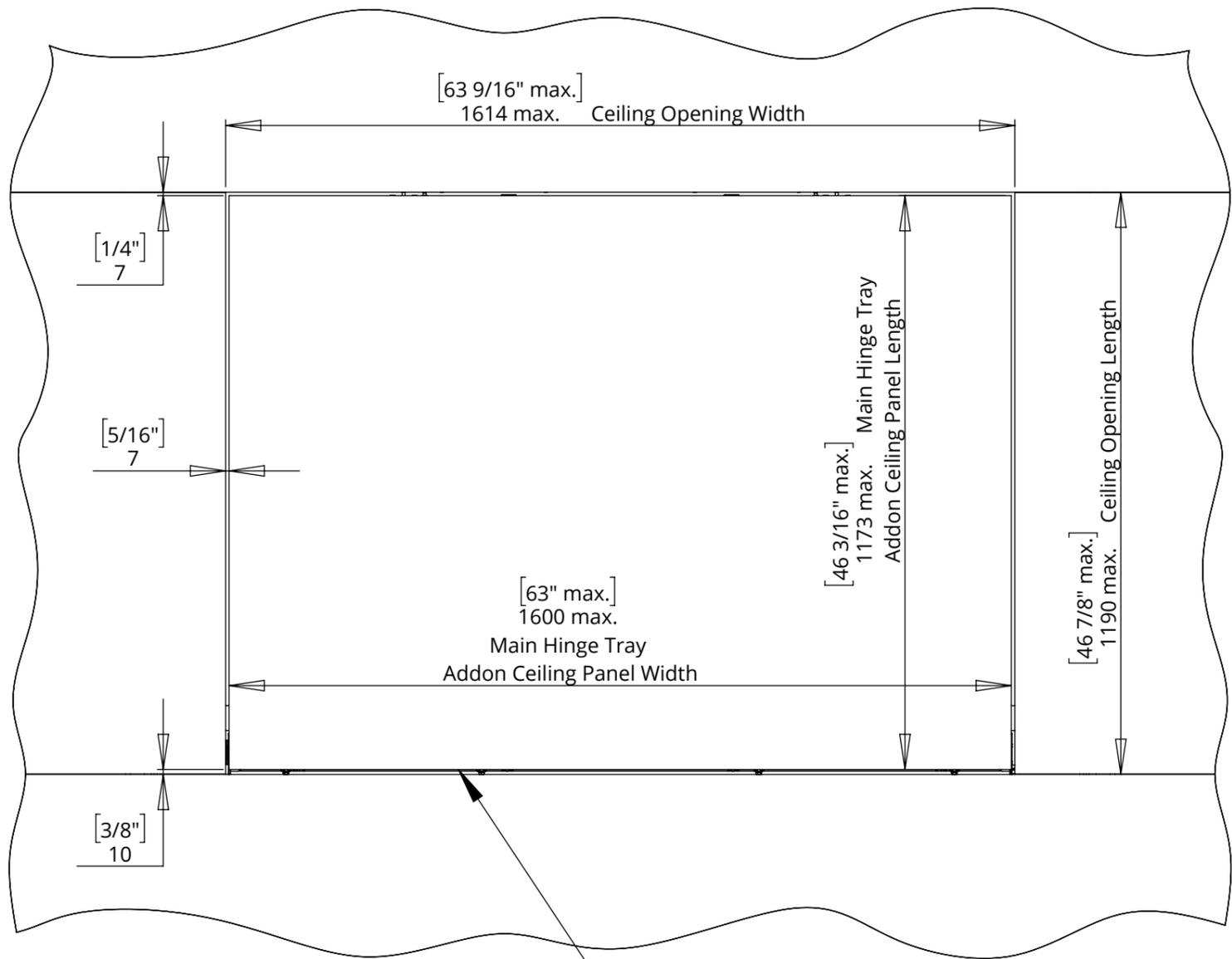
Additional glands to suit different cable sizes are available on request.

DETAIL B
SCALE 1 : 3

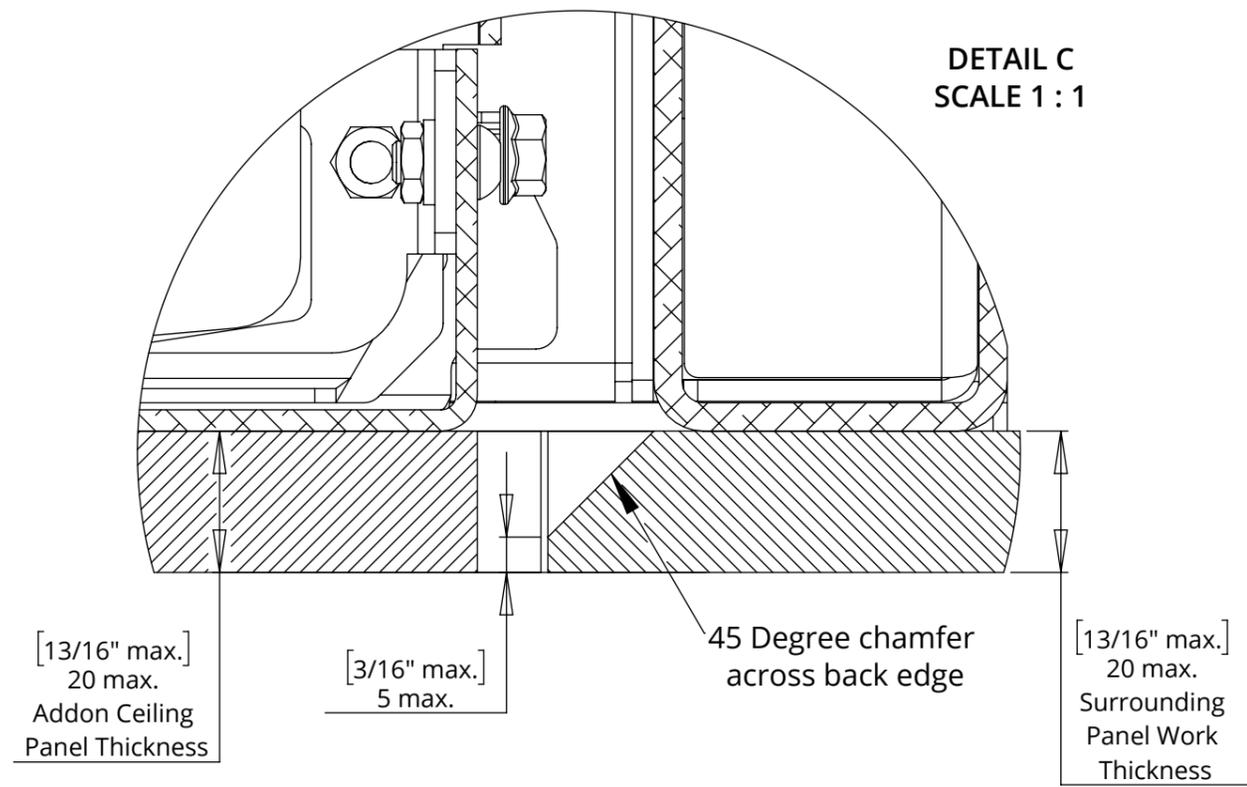
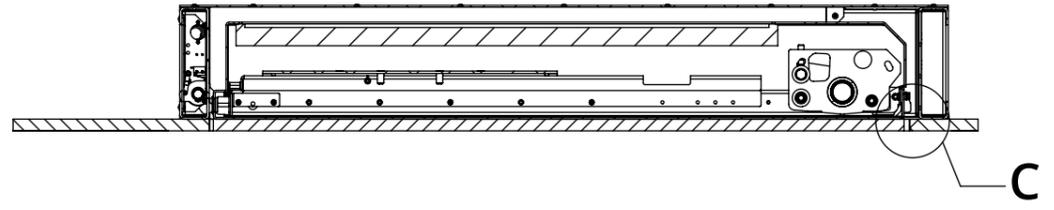
CHR6-M

MARINE INDOOR CEILING HINGE RANGE

CEILING DETAILS



Mechanism designed to work with min. 7mm [0.3"] shadow gaps at front and sides



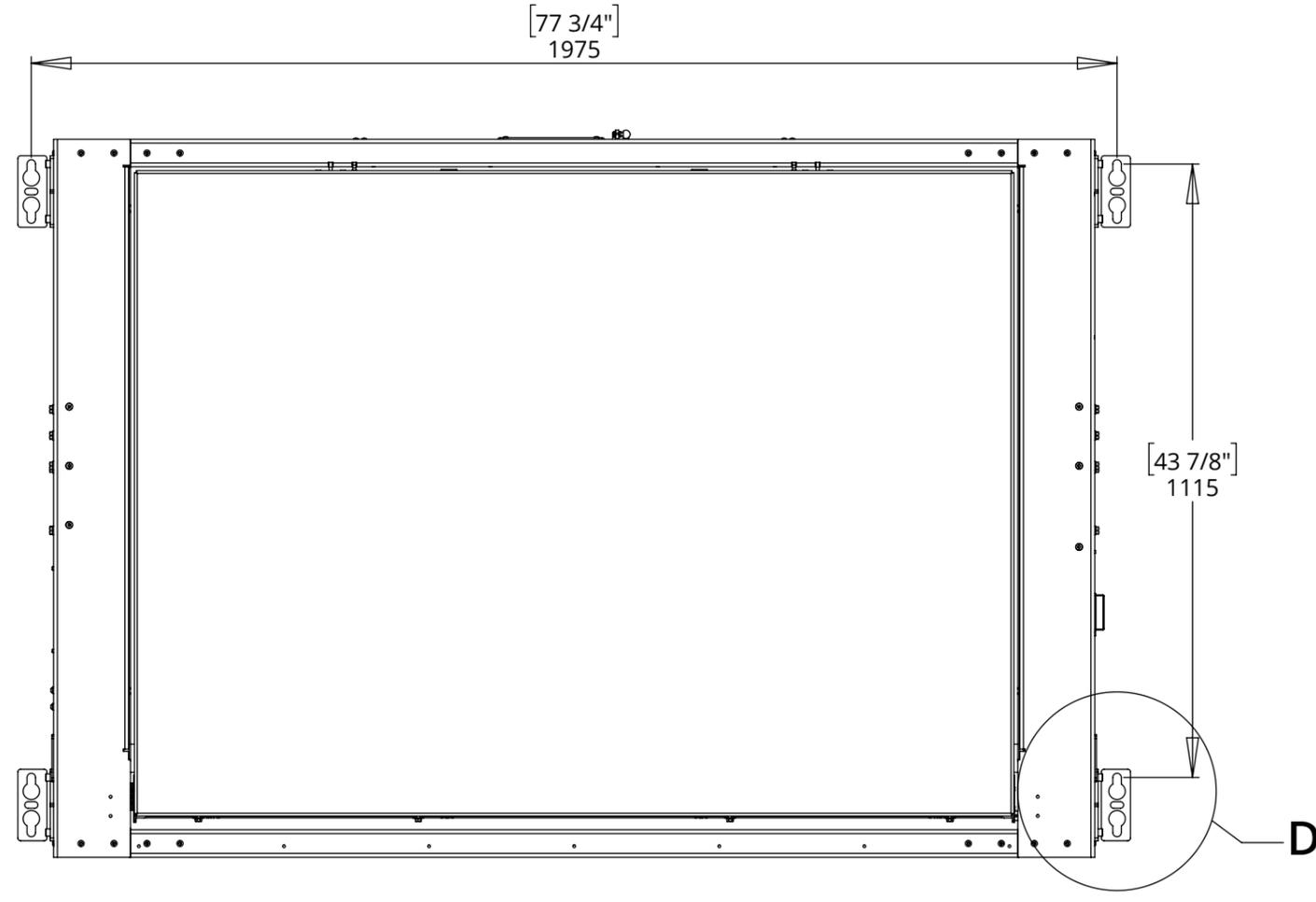
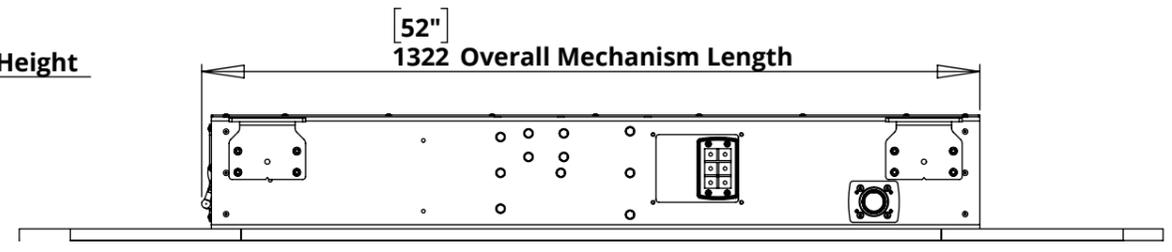
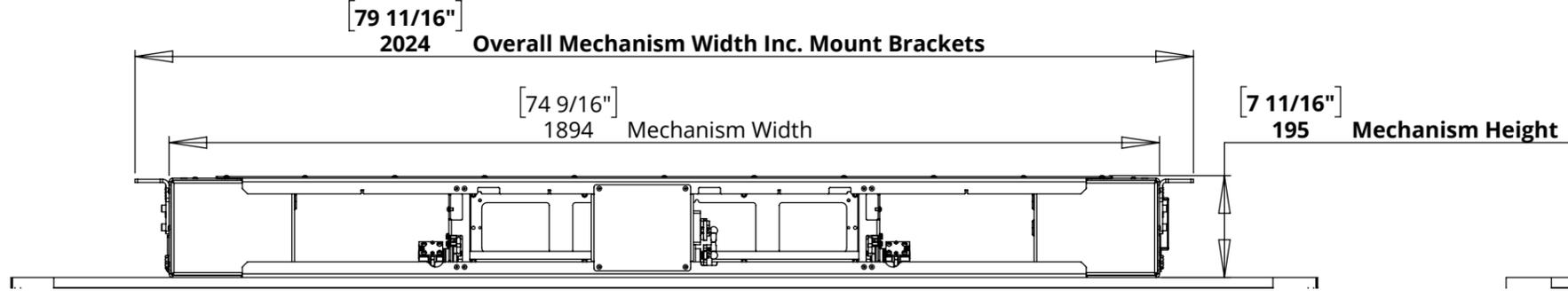
Ensure all panel work is the same thickness.

Weight of all add-on panel work must be included in maximum mechanism lifting capacity.

CHR6-M

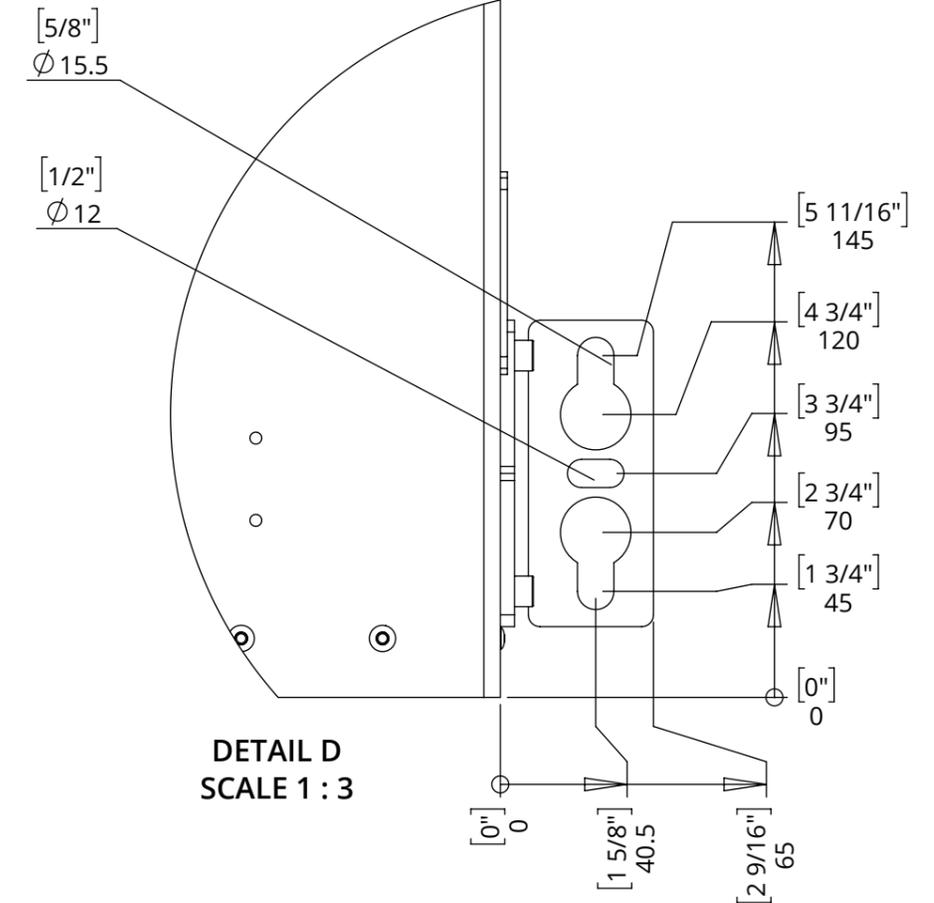
MARINE INDOOR CEILING HINGE RANGE

MECHANISM DIMENSIONS - CLOSED



FIXING DETAIL

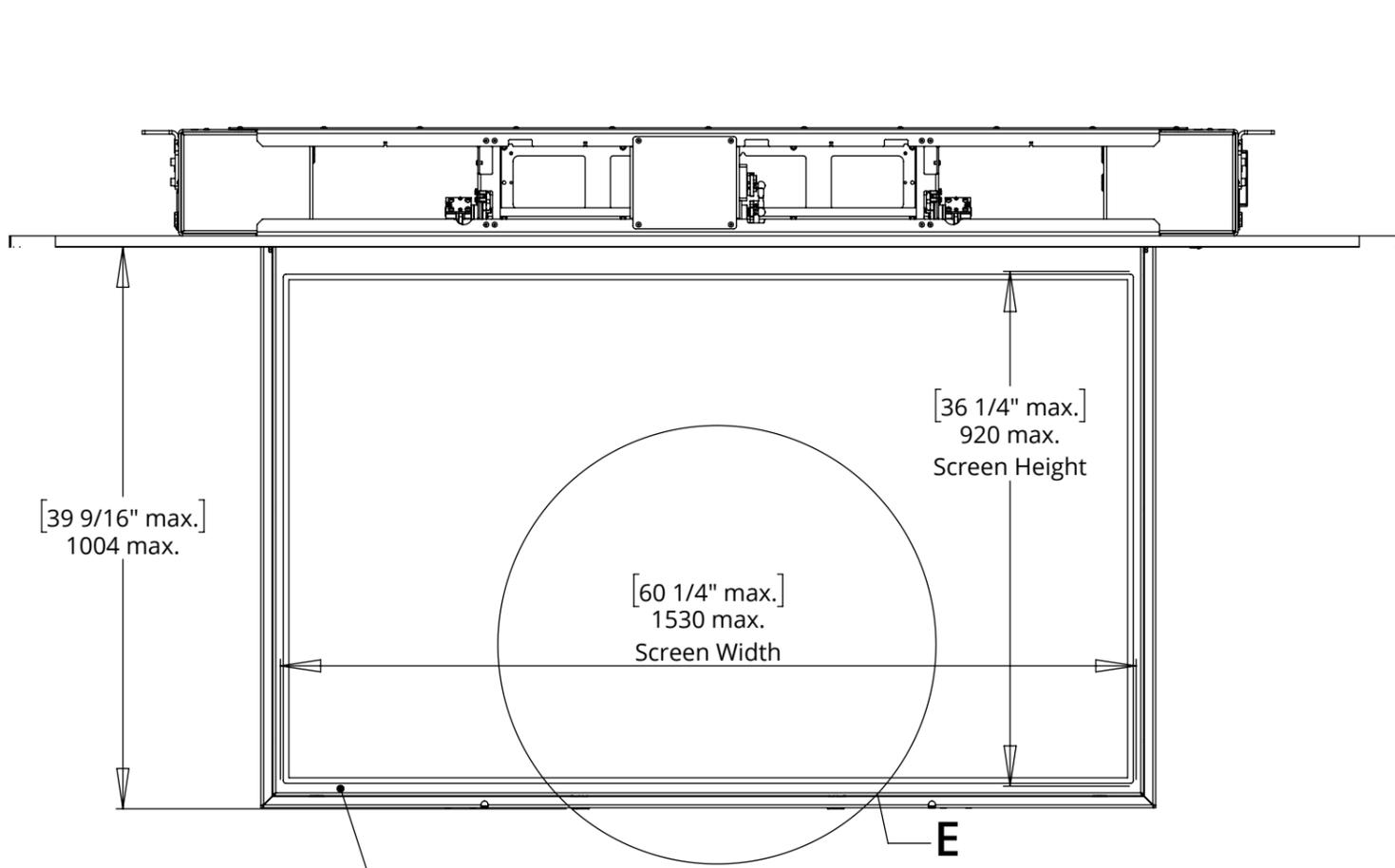
Mechanism mounted on M12 [0.5] Studding or fixed to underside of the ceiling joist structure, both using the mounting brackets installed on mechanism as standard



CHR6-M

MARINE INDOOR CEILING HINGE RANGE

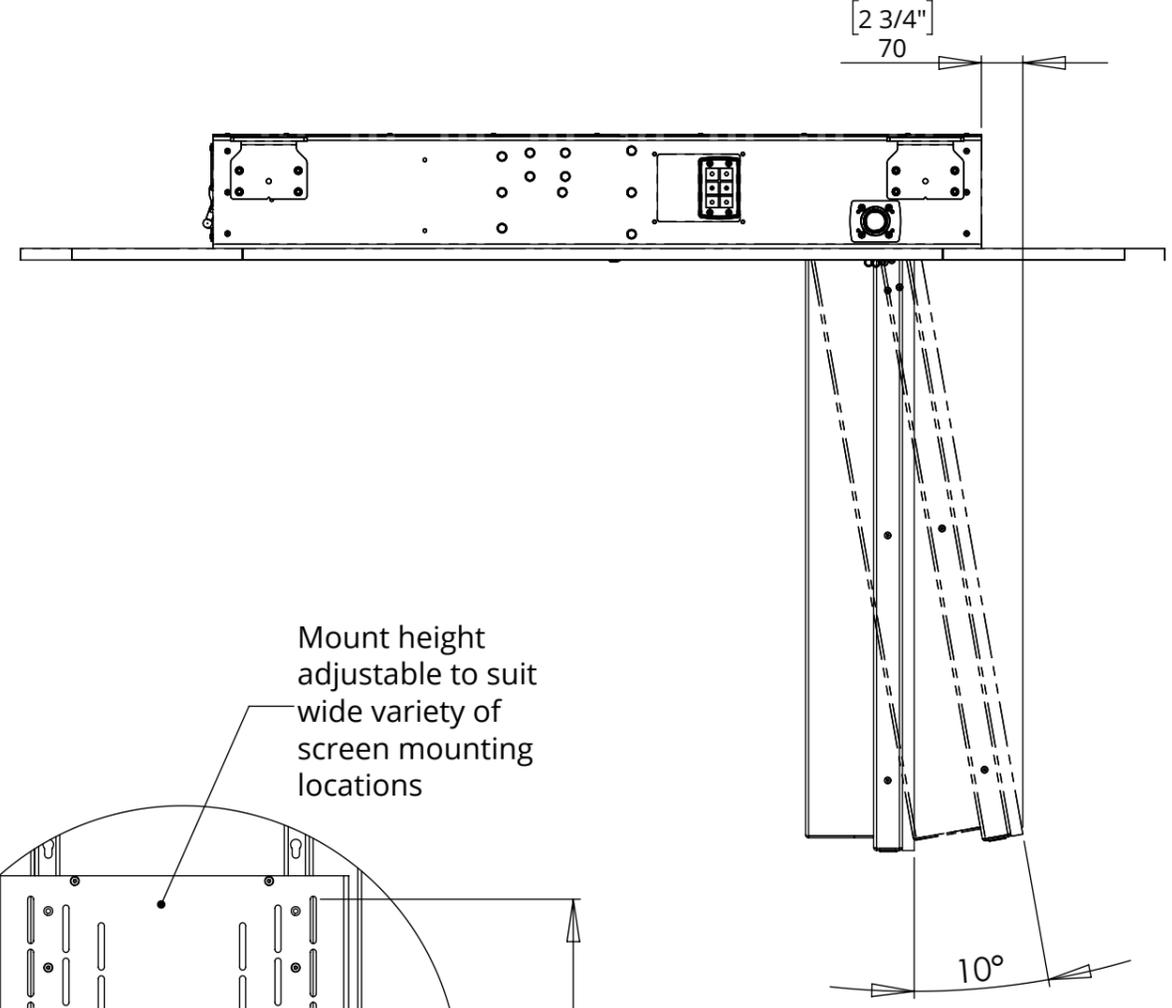
MECHANISM DIMENSIONS - OPEN



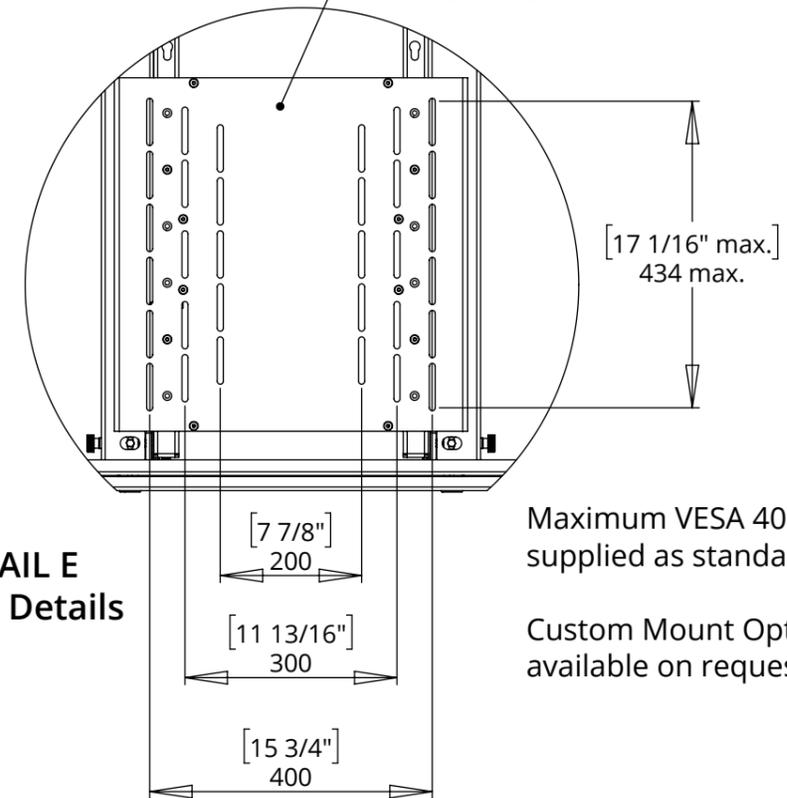
Shown with custom screen surround.

Supplied at request, screen details required at point of order.

Screen surround overlaps screen on all edges by 5mm as standard. If required this can be customised to suit.



Mount height adjustable to suit wide variety of screen mounting locations



DETAIL E
Mount Details

Maximum VESA 400 x 400 supplied as standard

Custom Mount Options available on request