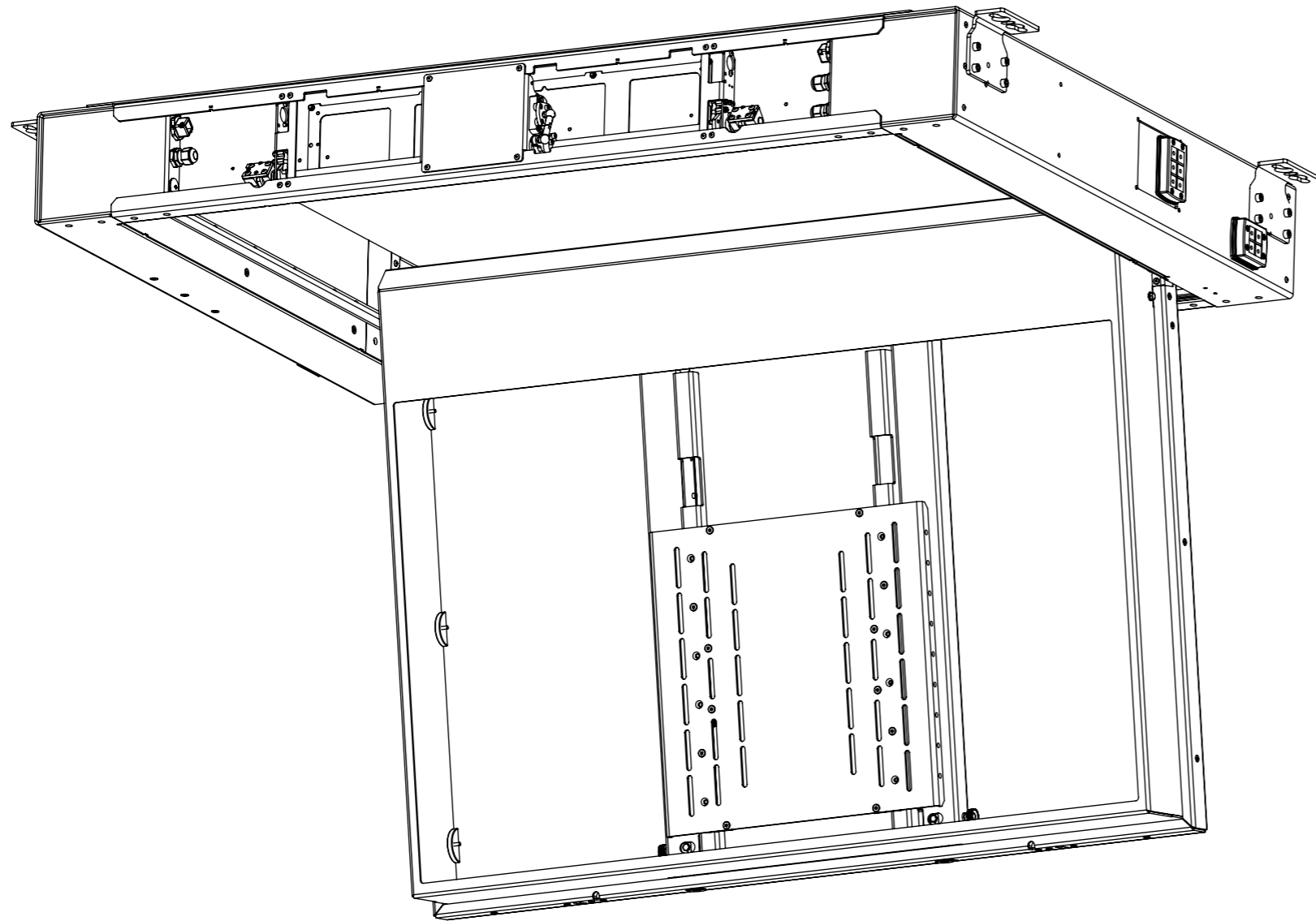


CHR5-MO

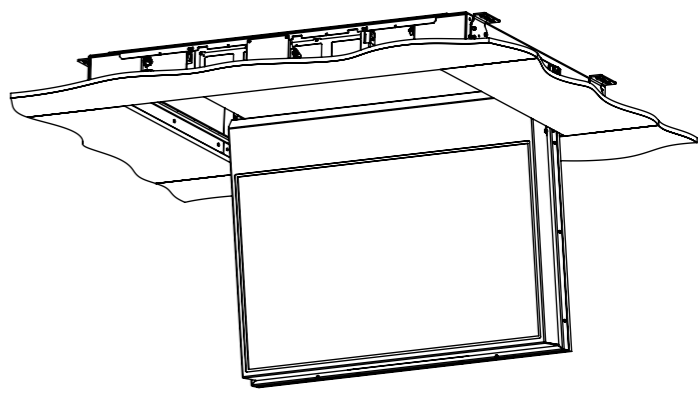
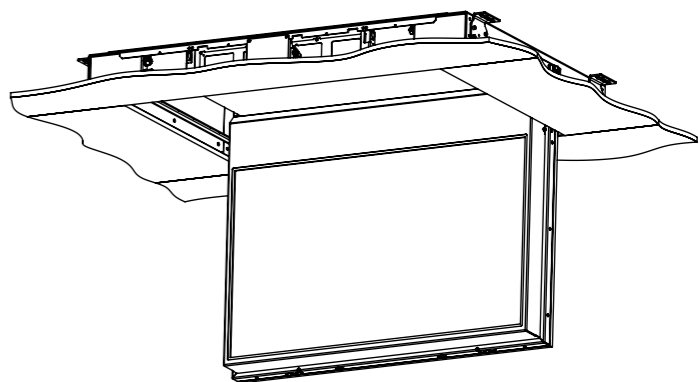
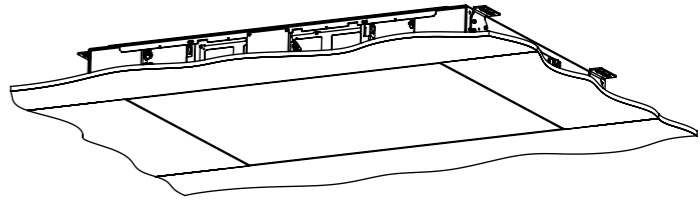
MARINE OUTDOOR CEILING HINGE RANGE



future automation



MECHANISM AS SUPPLIED



CHR5-MO

MARINE OUTDOOR CEILING HINGE RANGE



future automation

SPECIFICATION	MEASUREMENTS
Product Dimensions	1824mm [71 13/16"] W x 1202mm [47 5/16"] L x 195mm [7 11/16"] D
Product Weight	120Kg [265lb]
Maximum Screen Size (≤70mm D)	1330mm [52 3/8 "] W x 800mm [31 1/2 "] L x 70mm [2 3/4 "] D
Maximum Screen Size (>70mm D)	1330mm [52 3/8 "] W x 770mm [30 5/16"] L x 95mm [3 3/4 "] D
Maximum Weight Capacity	40Kg [88lb] Max. - Inc 10Kg [22lb] Max. Addon Ceiling Panel Main Hinge <i>*Assuming Screen Weight Biased Low (3/4 Screen Height)</i>
Packaging Dimensions	1870mm [73 5/8 "] W x 1360mm [53 9/16"] L x 440mm [17 5/16"] D
Shipping Weight	224Kg [493lb]
Maximum Rotation	100° - programmable limit to 90°
Movement Type	Motorised
Control System	In IP66 Control box on 3m [10'] Loom
Power Supply Required	110V - 240V AC 50/60Hz
Power Consumption Max.	720W
Power Consumption Standby	3W
Mounting Patterns Supported	VESA 400, 300, 200 W x 400, 300, 200 H
Control Options	IR Remote, RS232, Contact Closure
Product Options / Features	Specific B&O and Loewe mounts / adapters, Custom RAL paint finishes, Marine suitable version
Package Contents	Mechanism, IR remote control
Environment	Marine Outdoor
Colour	WHITE - RAL9910 Satin Finish
Marine Suitable	Yes - Marine Locks for secure stowing when not in use - Weatherproof when closed due to Marine Seals .

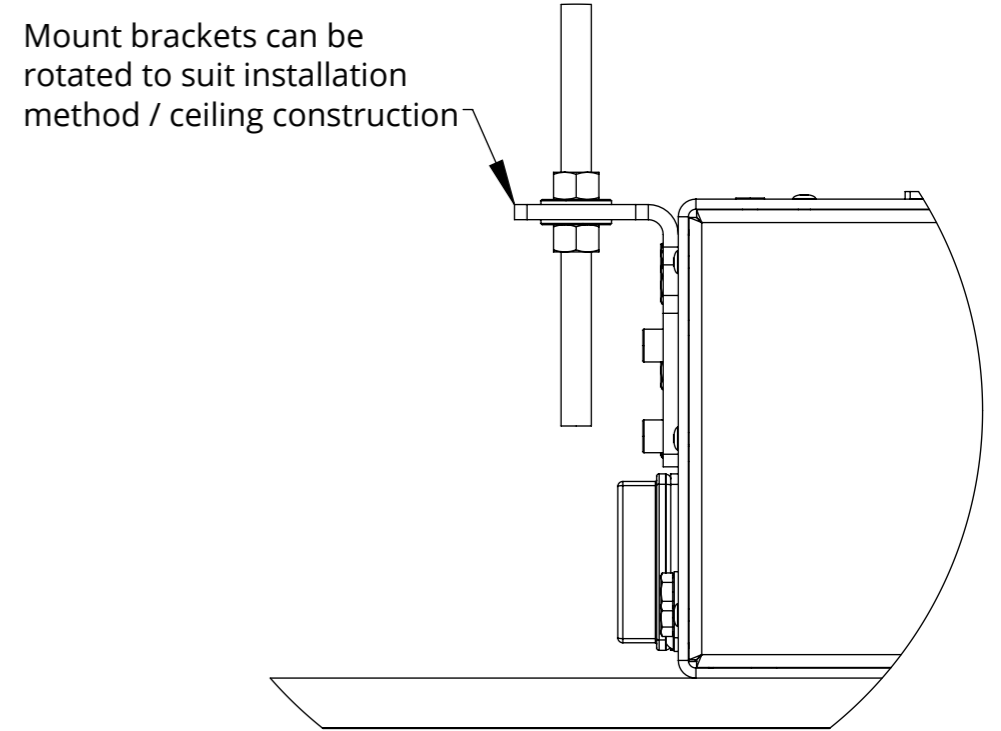
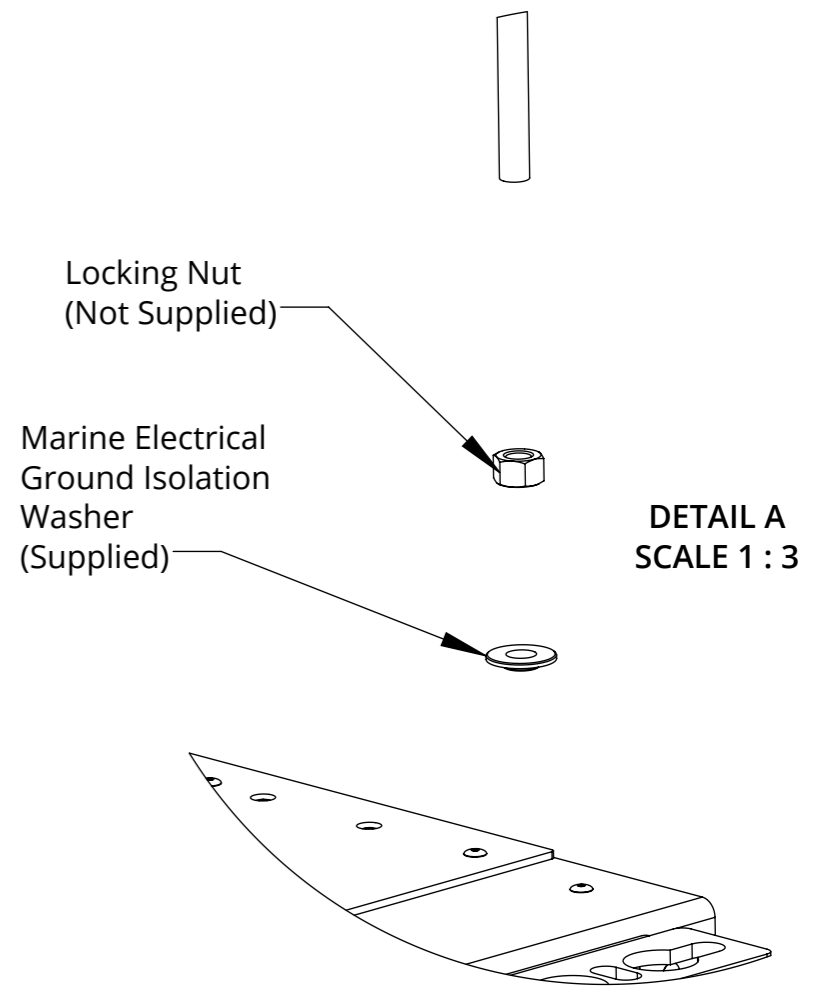
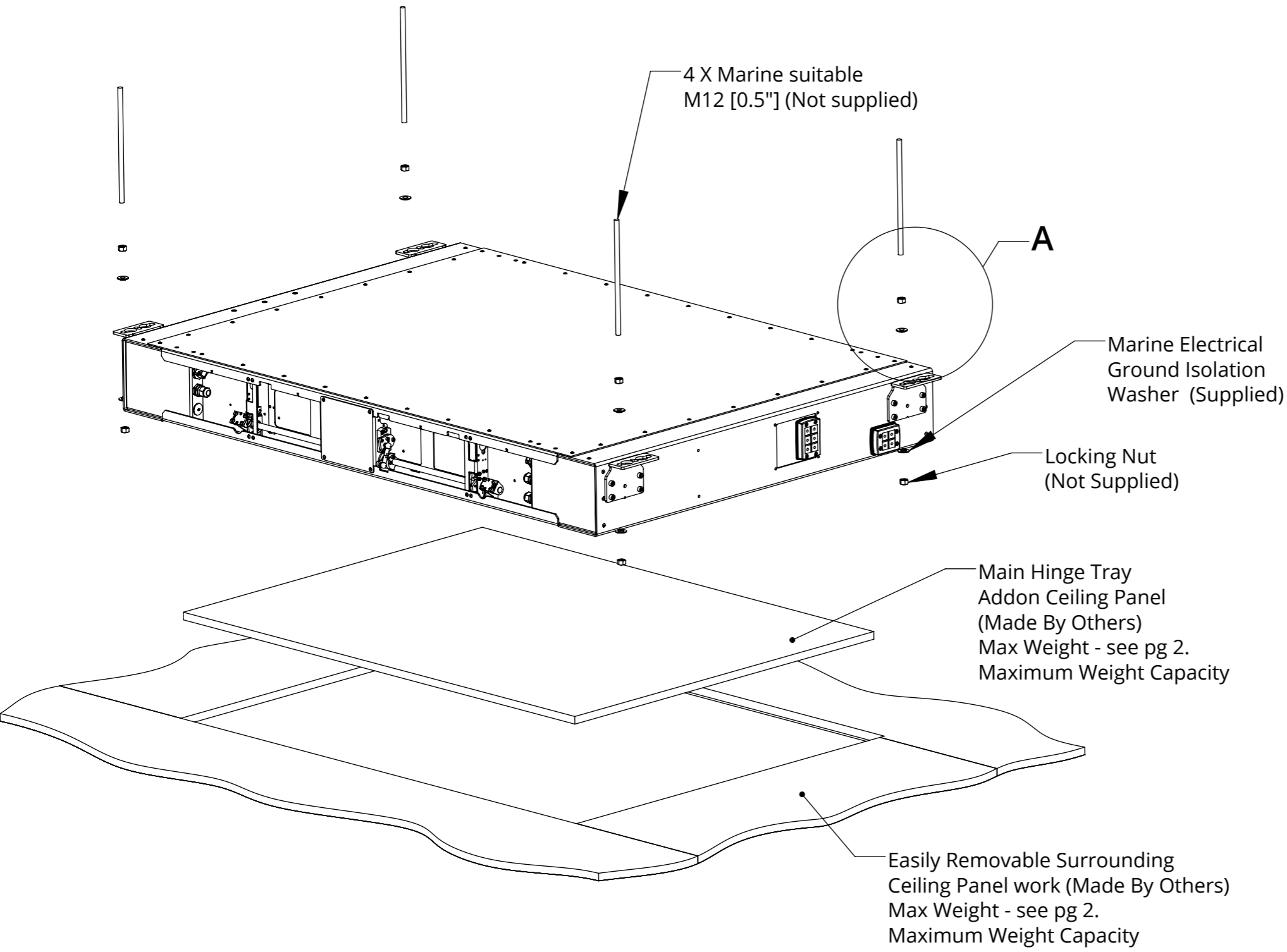
CHR5-MO

MARINE OUTDOOR CEILING HINGE RANGE

MECHANISM MOUNTING DETAILS



future automation



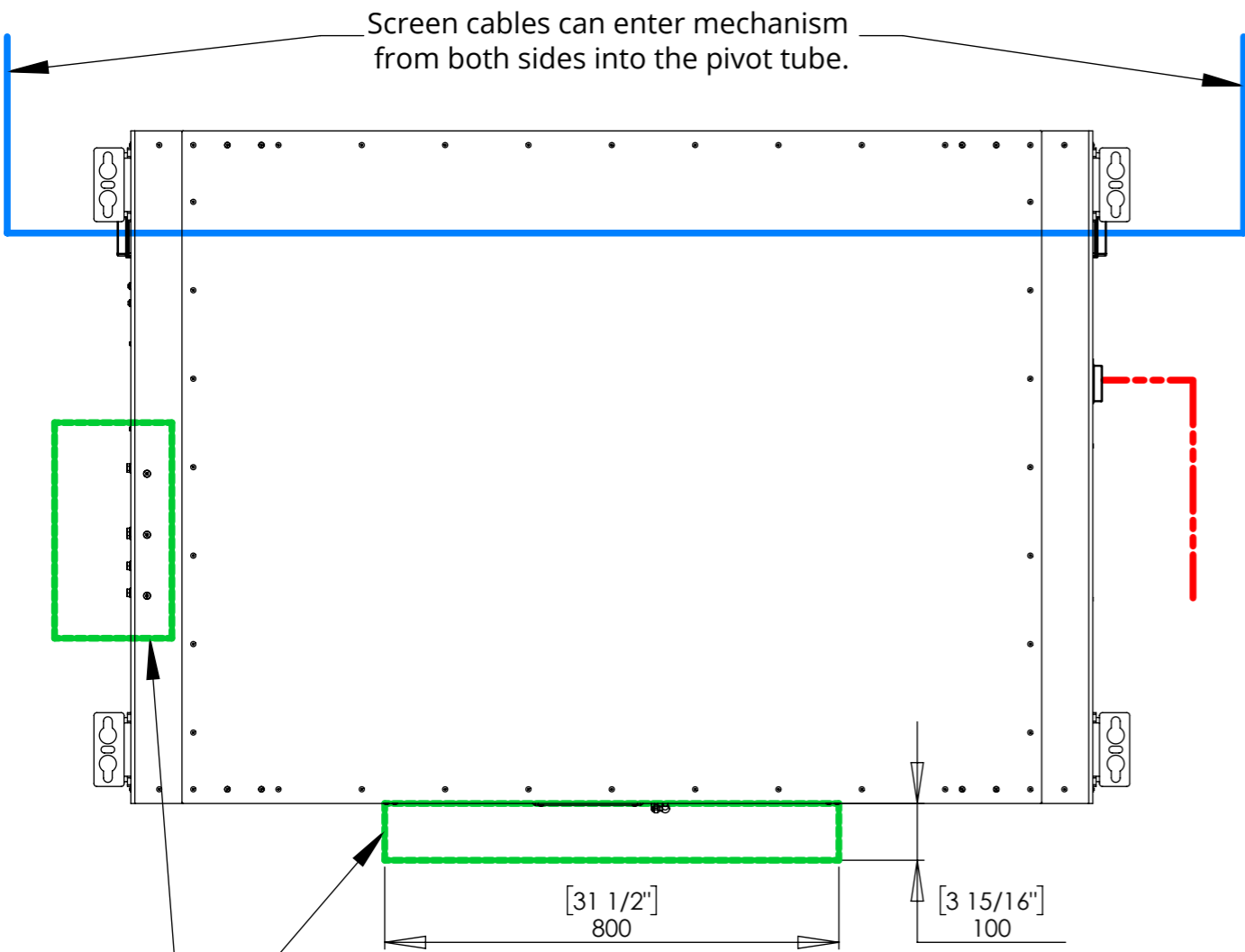
CHR5-MO

MARINE OUTDOOR CEILING HINGE RANGE



future automation

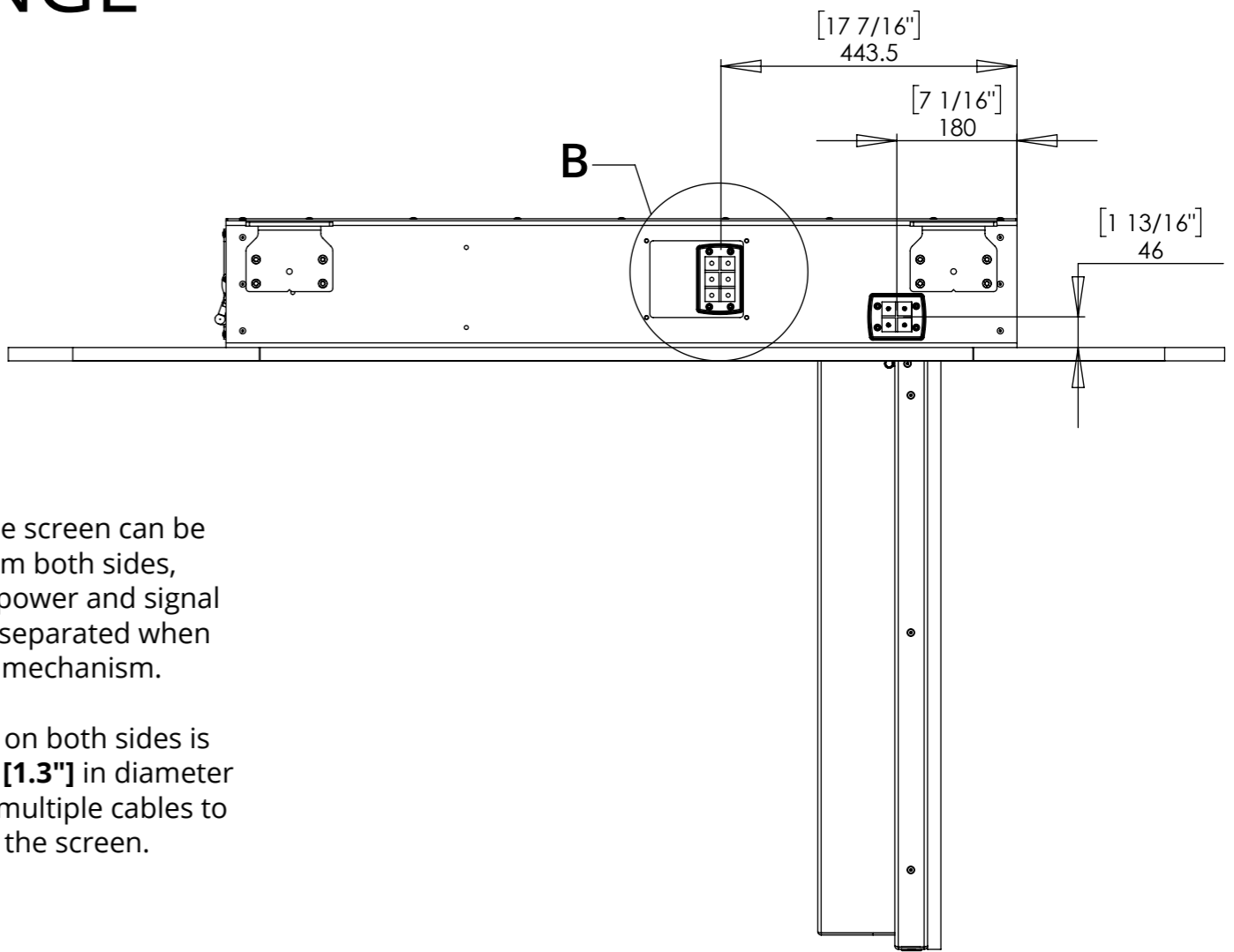
CEILING PREPARATION



Screen cables can enter mechanism from both sides into the pivot tube.

Keep these areas in front & to side of mechanism in ceiling free of obstruction for maintenance and servicing.

- Mechanism Power and Control Cables.
- Screen power and Signal

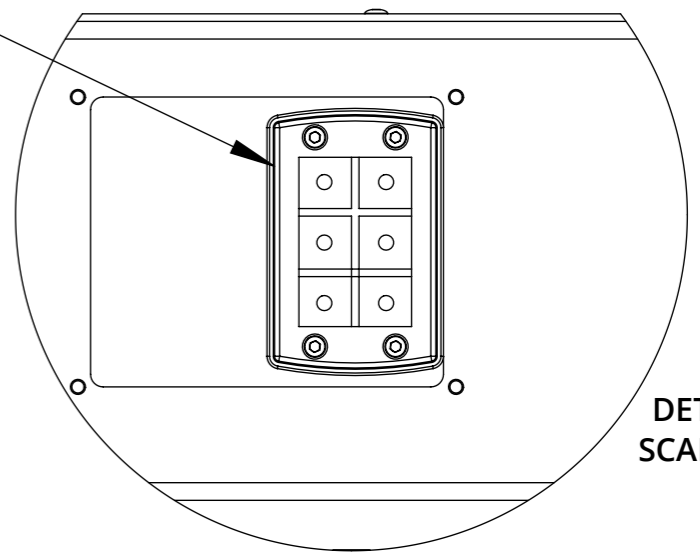


Cables for the screen can be routed in from both sides, allowing for power and signal cables to be separated when entering the mechanism.

The opening on both sides is **MIN. 32mm [1.3"]** in diameter allowing for multiple cables to be routed to the screen.

Cables pass through easily removable cable gland plates into mechanism.

Additional glands to suit different cable sizes are available on request.



DETAIL B
SCALE 1 : 3

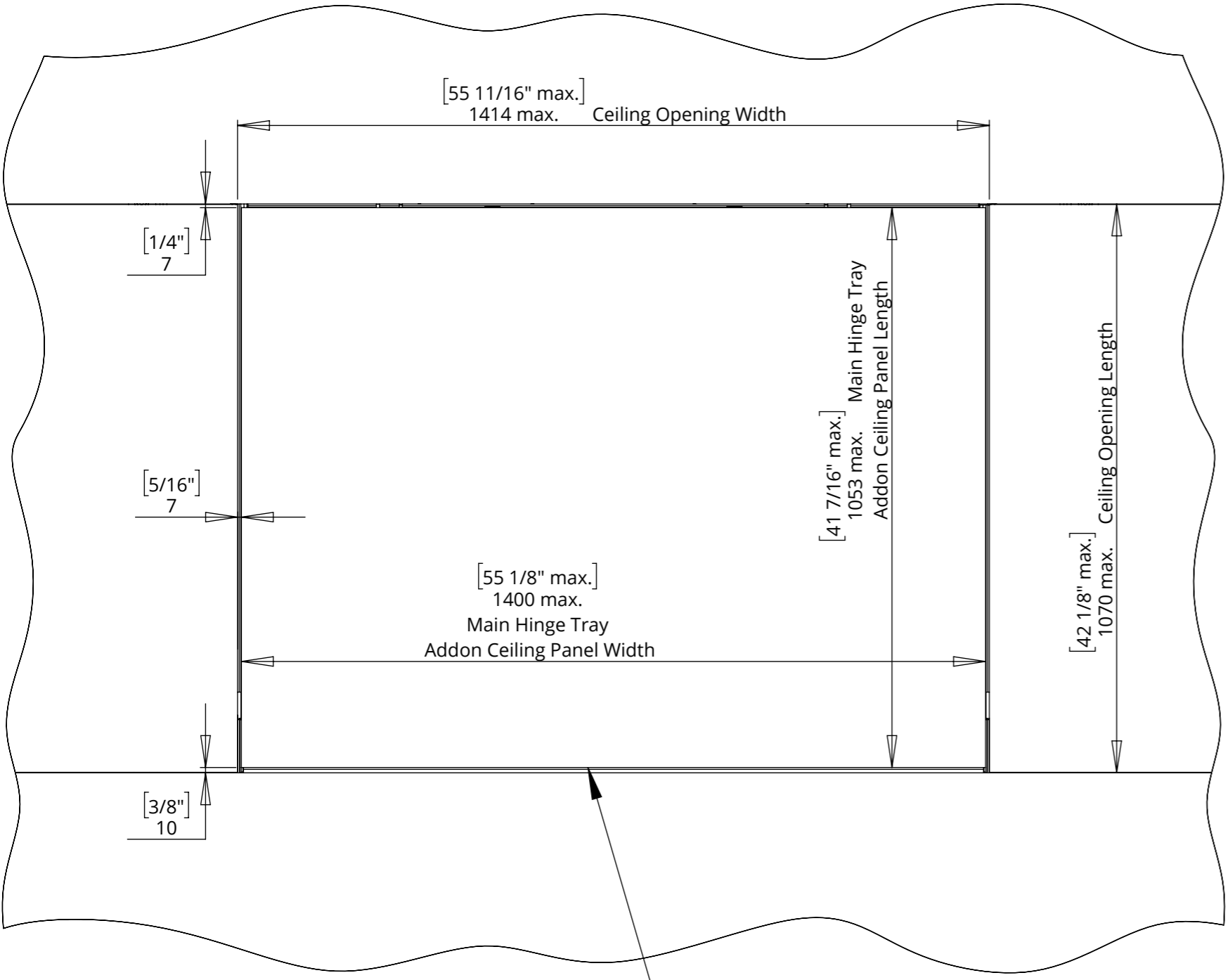
CHR5-MO

MARINE OUTDOOR CEILING HINGE RANGE

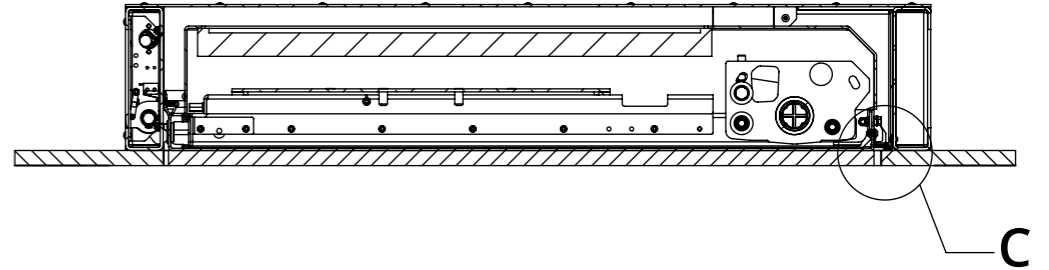
CEILING DETAILS



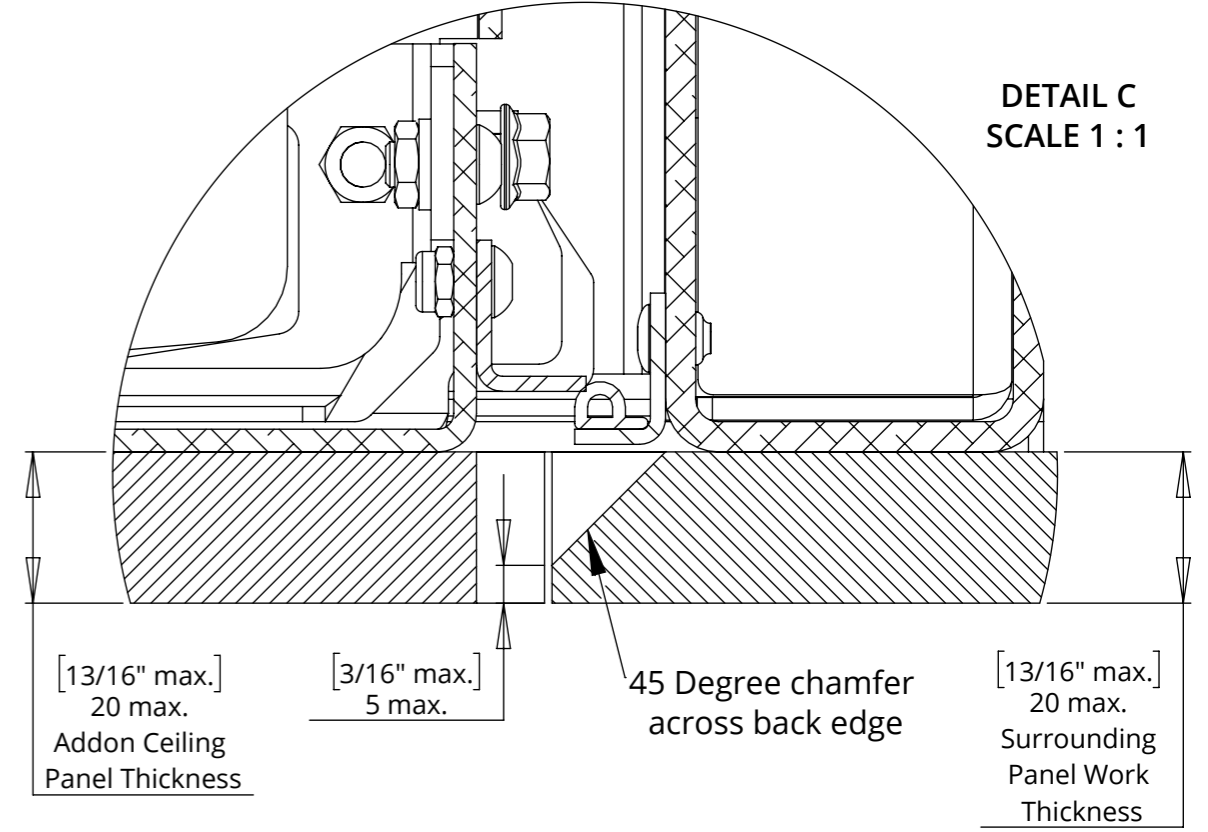
future automation



Mechanism designed to work with min. 7mm [0.3"] shadow gaps at front and sides



C



Ensure all panel work is the same thickness.

Weight of all add-on panel work must be included in maximum mechanism lifting capacity.

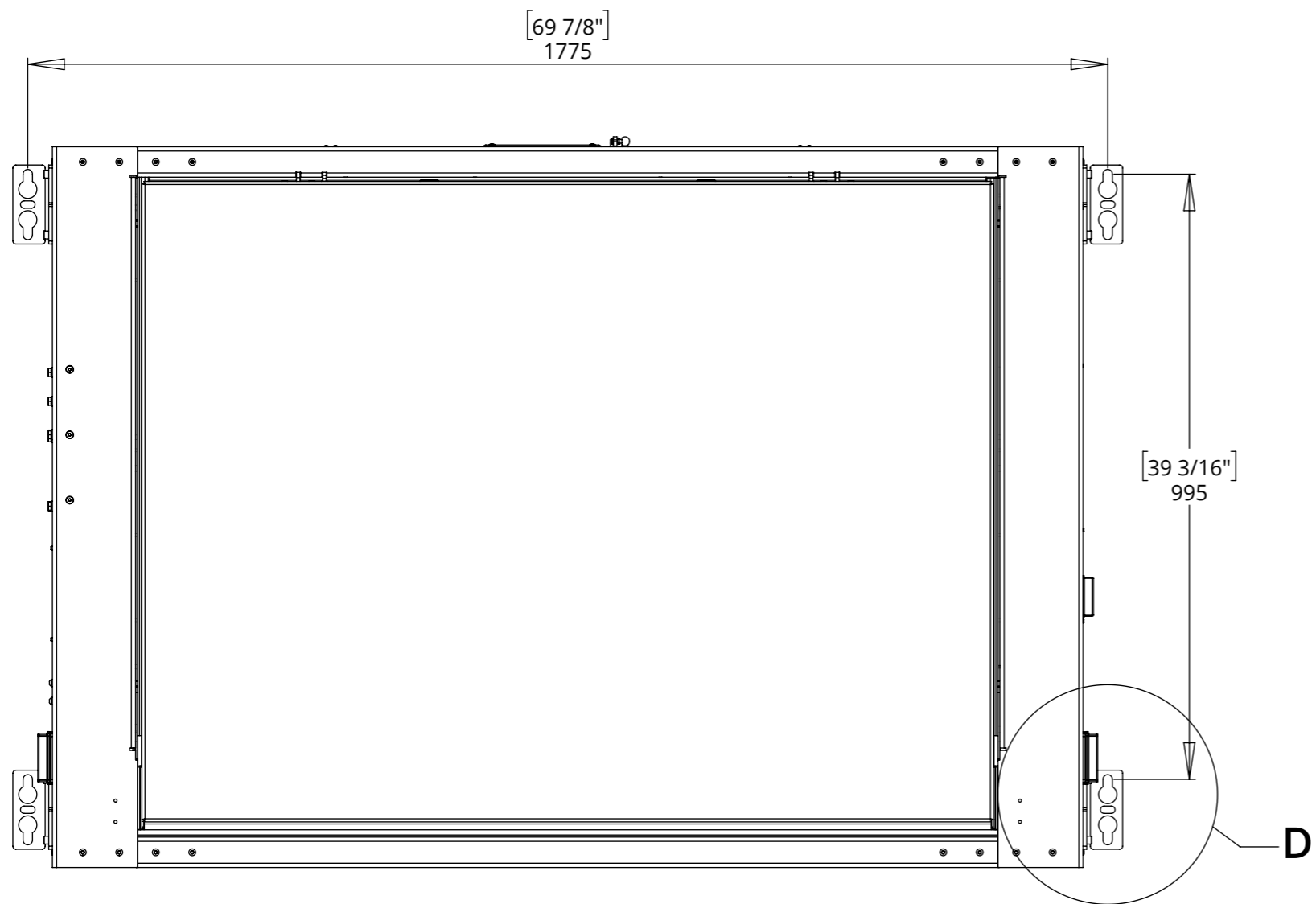
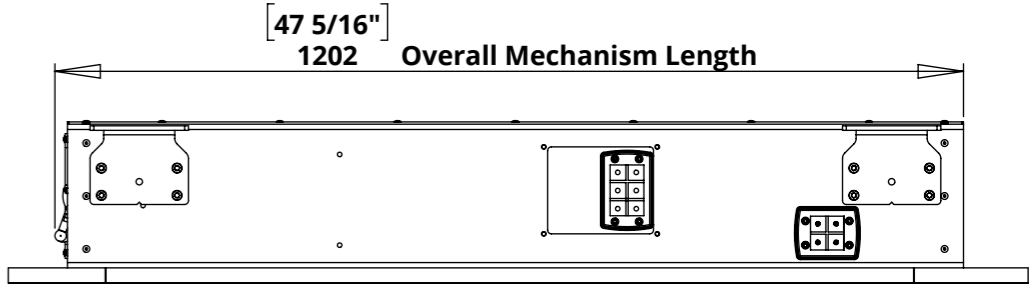
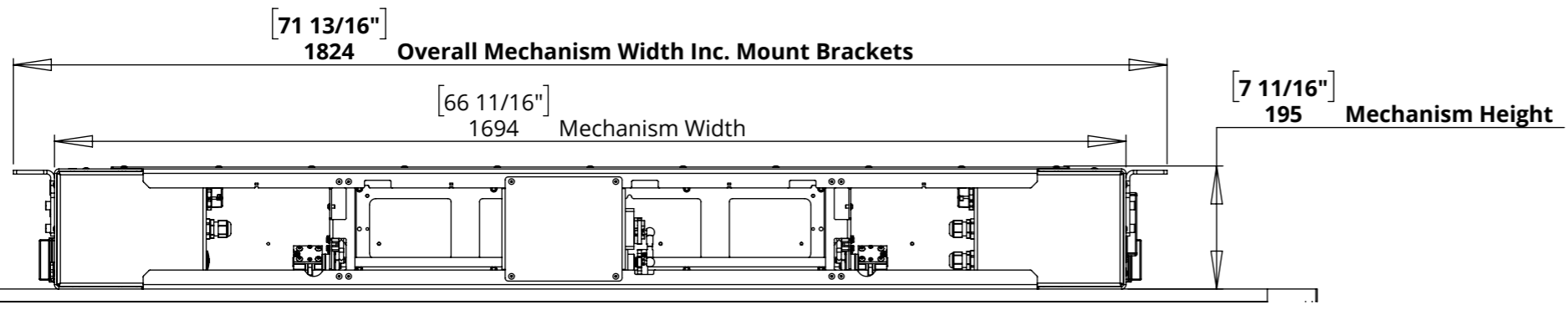
CHR5-MO

MARINE OUTDOOR CEILING HINGE RANGE



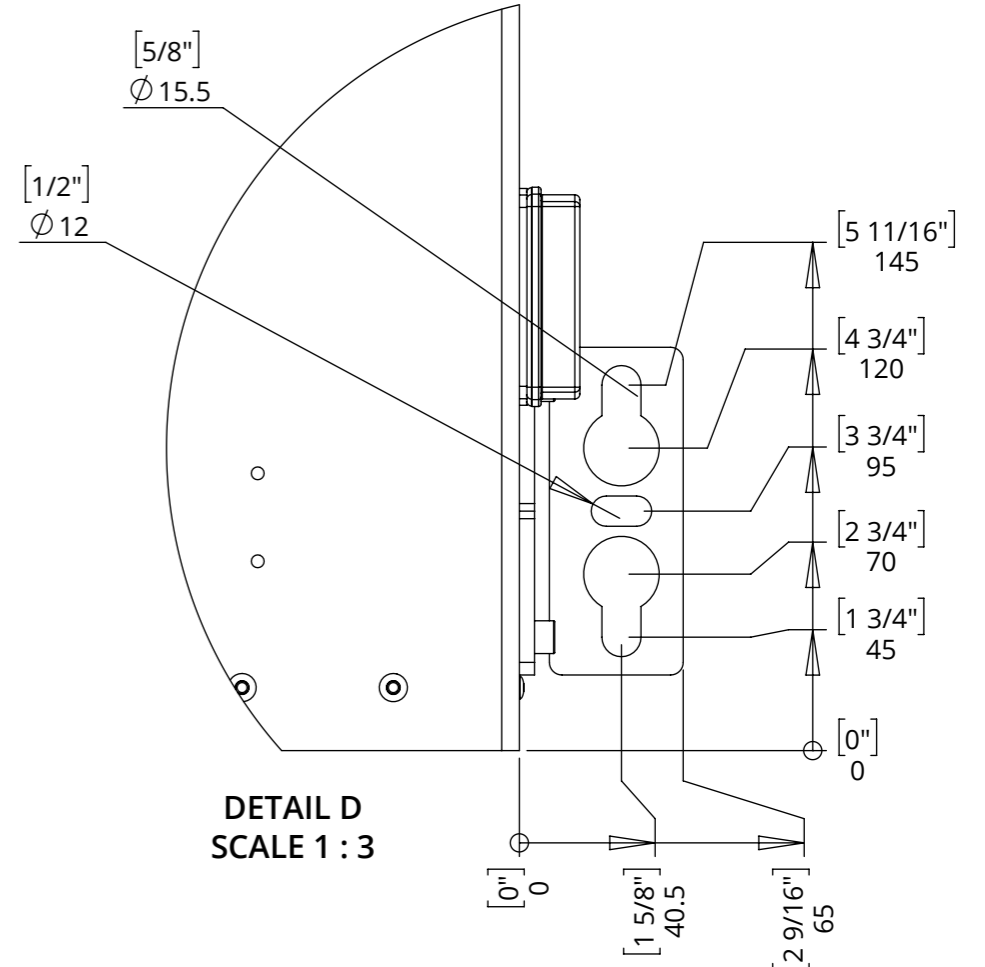
future automation

MECHANISM DIMENSIONS - CLOSED



FIXING DETAIL

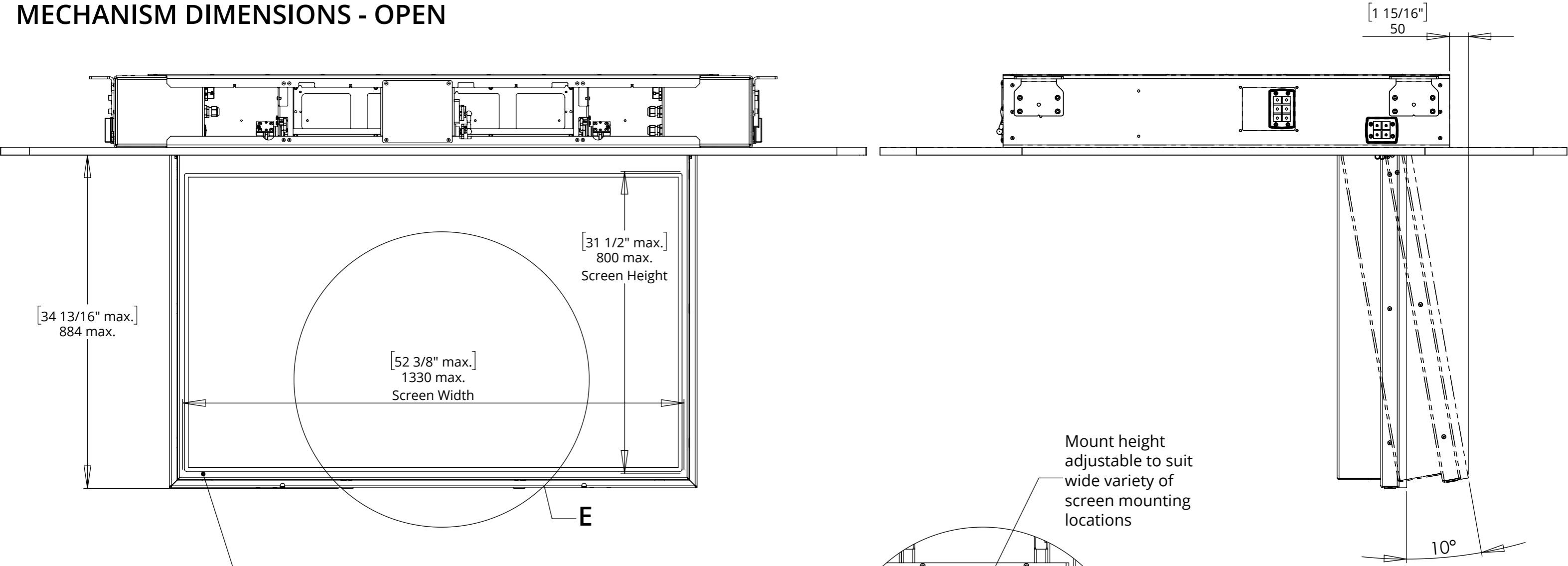
Mechanism mounted on M12 [0.5] Studding or fixed to underside of the ceiling joist structure, both using the mounting brackets installed on mechanism as standard



CHR5-MO

MARINE OUTDOOR CEILING HINGE RANGE

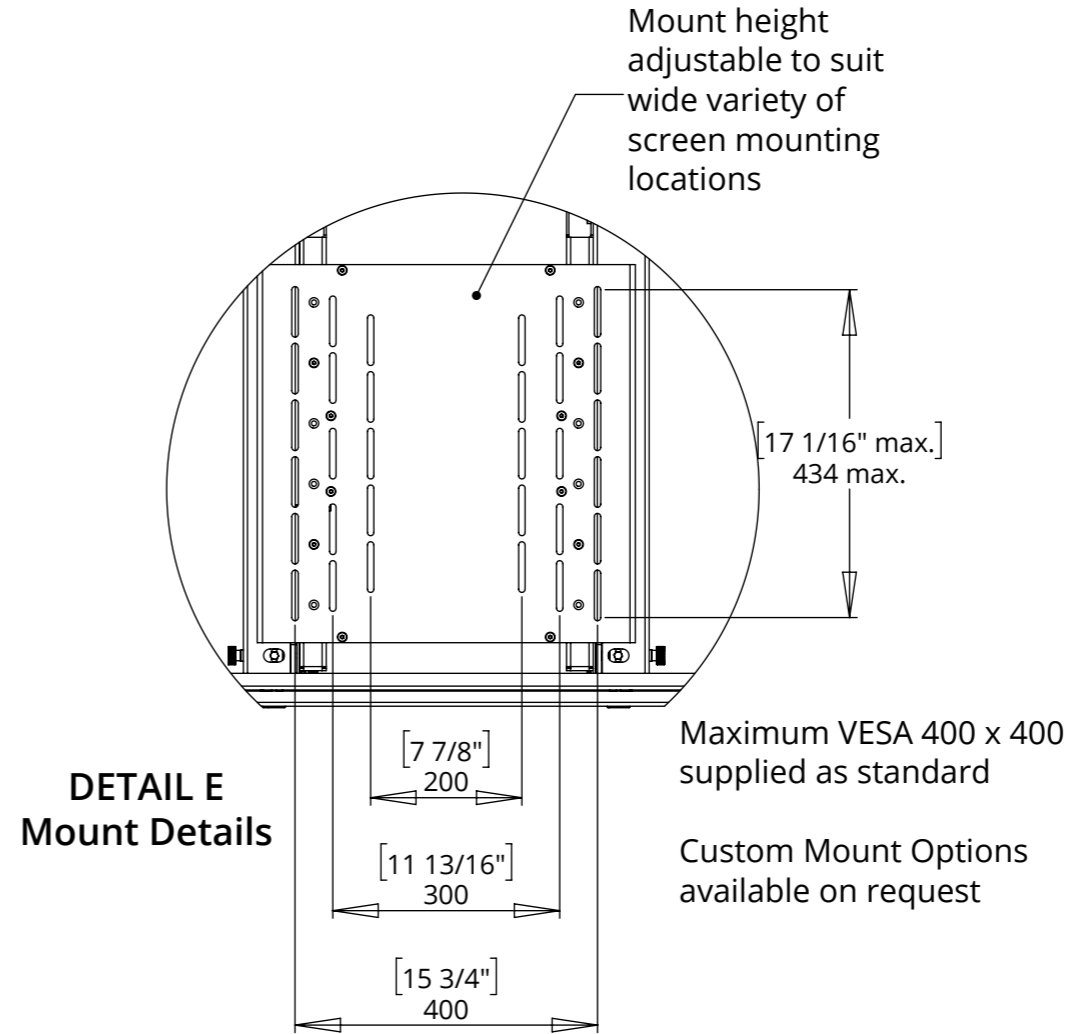
MECHANISM DIMENSIONS - OPEN



Shown with custom screen surround.

Supplied at request, screen details required at point of order.

Screen surround overlaps screen on all edges by 5mm as standard. If required this can be customised to suit.



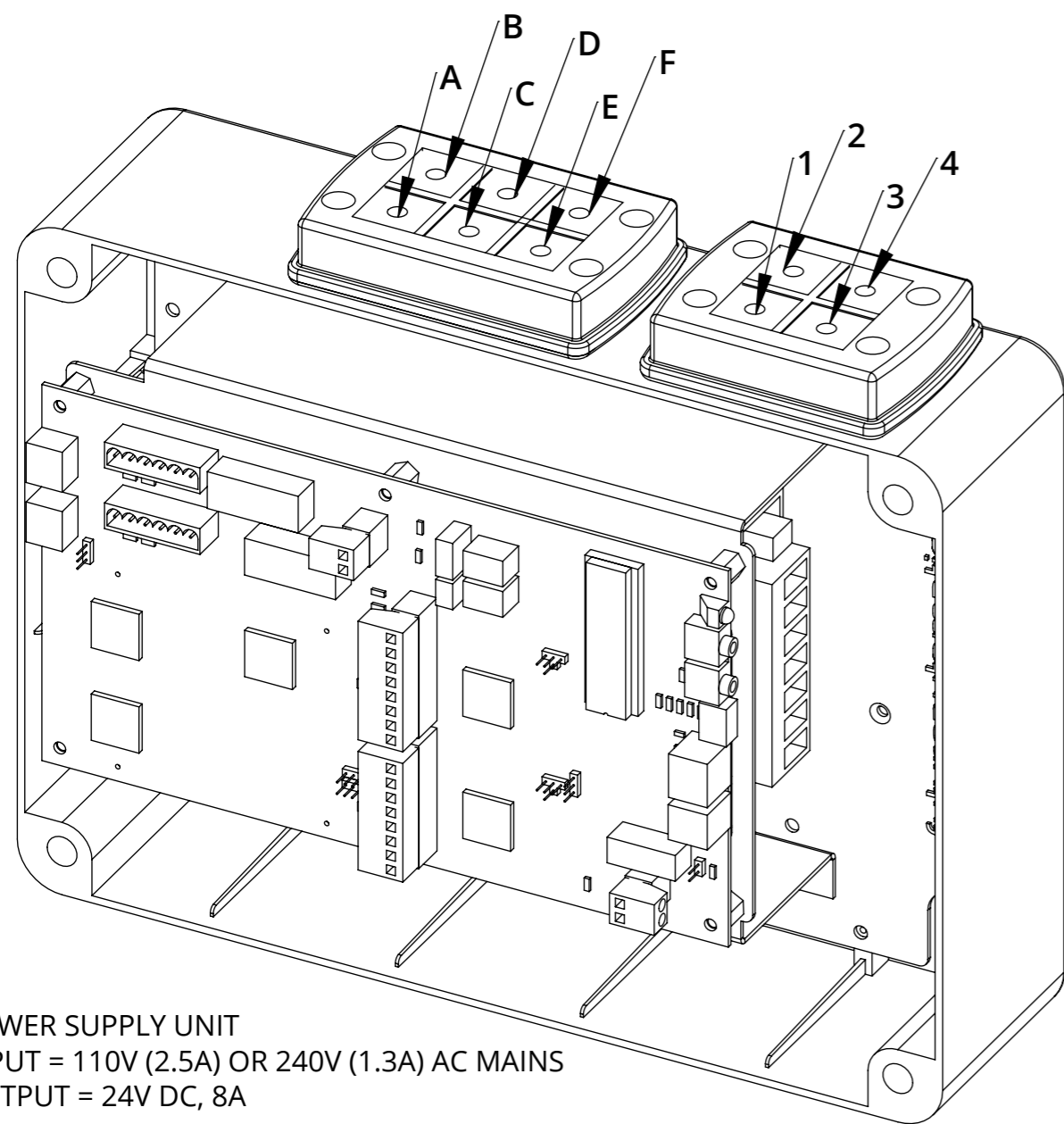
CHR5-MO

MARINE OUTDOOR CEILING HINGE RANGE



future automation

CONTROL BOX DETAILS



POWER SUPPLY UNIT
 INPUT = 110V (2.5A) OR 240V (1.3A) AC MAINS
 OUTPUT = 24V DC, 8A

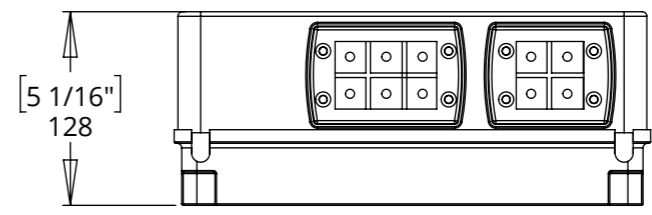
NOTES

- ENCLOSURE IS RATED TO IP56 / GLANDS ARE RATED TO IP66
- ENCLOSURE AND LID FIXINGS ALL MADE FROM GEWISS GW PLAST 75.
- ENCLOSURE MATERIAL SUITABLE FOR TEMPERATURES +60 C TO -25 C.
- POWER SUPPLY UNIT (PSU) WILL ALLOW 110V OR 240V AC INPUT. THE SAME PSU IS USED FOR EU OR US MAINS SUPPLIES.
- OTHER THAN CONTROL CABLES, ALL CABLES TERMINATE AT CONTROL BOARD VIA STANDARD PHOENIX CONNECTORS.
- CABLE LOOM LENGTH SUPPLIED AT APPROX. 3m [118"]. LOOM CAN BE EXTENDED UP TO MAXIMUM OF APPROX. 10m [400"].
- MINIMUM CABLE BEND RADIUS 63.75mm [2.5"].

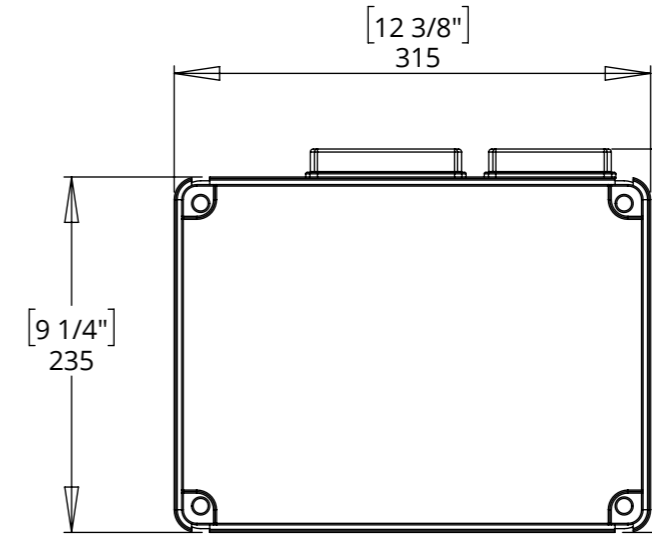
IP66 Multicable Glands.

Supplied with standard set of glands to suit mechanism control cables.

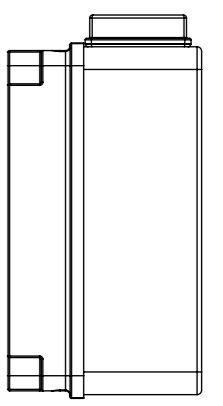
- | | | |
|----|-------------------------------|---|
| A. | Hinge Motor A + IN / OUT SW | - (1 x 8 core) 8.5mm [0.33"] dia. (EU SPEC: 0.34mm ² US SPEC: 22AWG) |
| B. | BLANK | |
| C. | BLANK | |
| D. | BLANK | |
| E. | Marine Catch Power / Signal | - (1 x 8 core) 8.5mm [0.33"] dia. (EU SPEC: 0.34mm ² US SPEC: 22AWG) |
| F. | FA Internal IR Reciever Cable | - 3mm [0.12"] dia. (EU SPEC: 0.12mm ² US SPEC: 25AWG) |
-
- | | | |
|----|---|--|
| 1. | Control Board Power - 3 Core Mains | 6mm [0.25"] dia. (EU SPEC: 0.75mm ² US SPEC: 18AWG) |
| 2. | Cat 5e 8 core - RS232 interface | 5mm [0.2"] dia.(EU SPEC: 0.2mm ² US SPEC: 24AWG) |
| 3. | Cat 5e 8 core - Contact Closure interface | 5mm [0.2"] dia.(EU SPEC: 0.2mm ² US SPEC: 24AWG) |
| 4. | FA IR Receiver Cable | 3mm [0.12"] dia.(EU SPEC: 0.12mm ² US SPEC: 25AWG) |



Supplied with 3M [10'] loom as standard



[10"]
253.5



TECHNICAL SHEET

ISSUE 004
SHEET 8

UK +44 (0) 1438 833577 US +1 (603) 742 9181

www.FUTUREAUTOMATION.NET