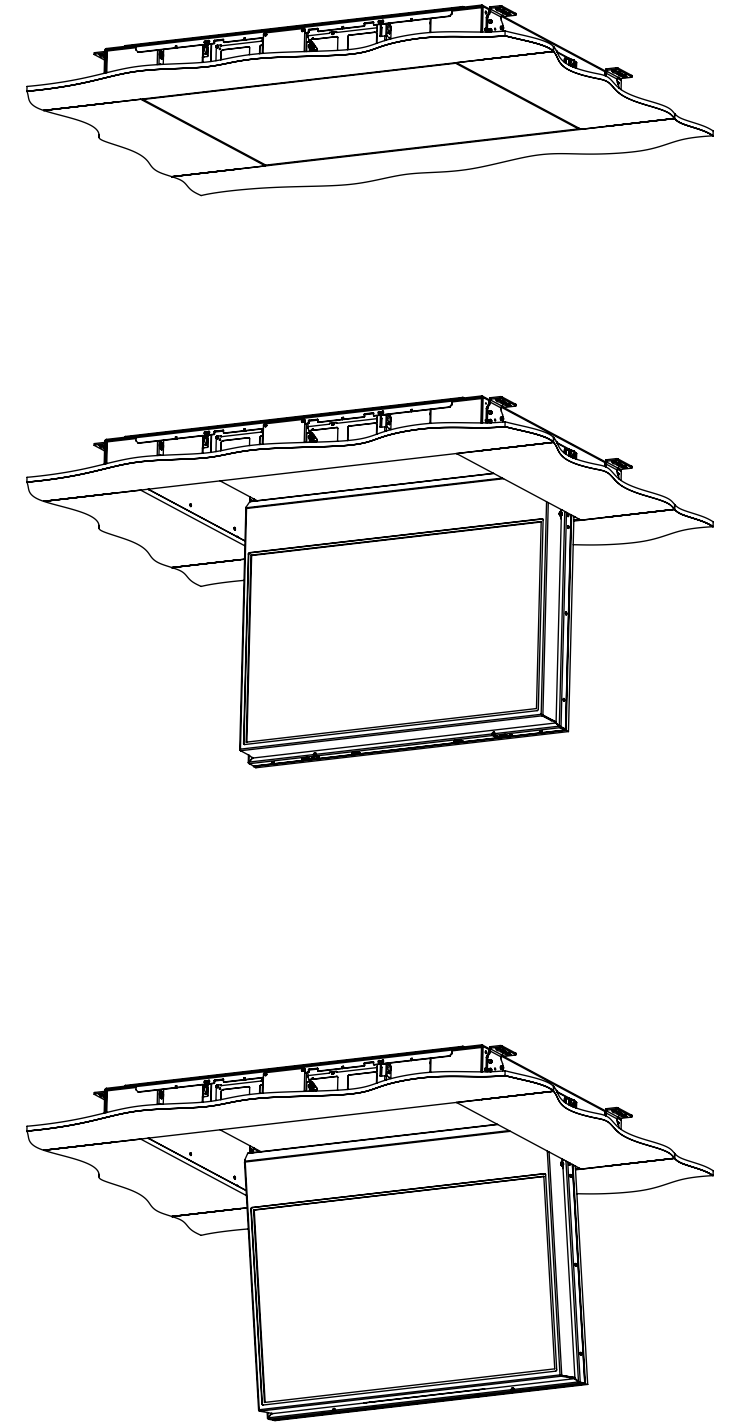
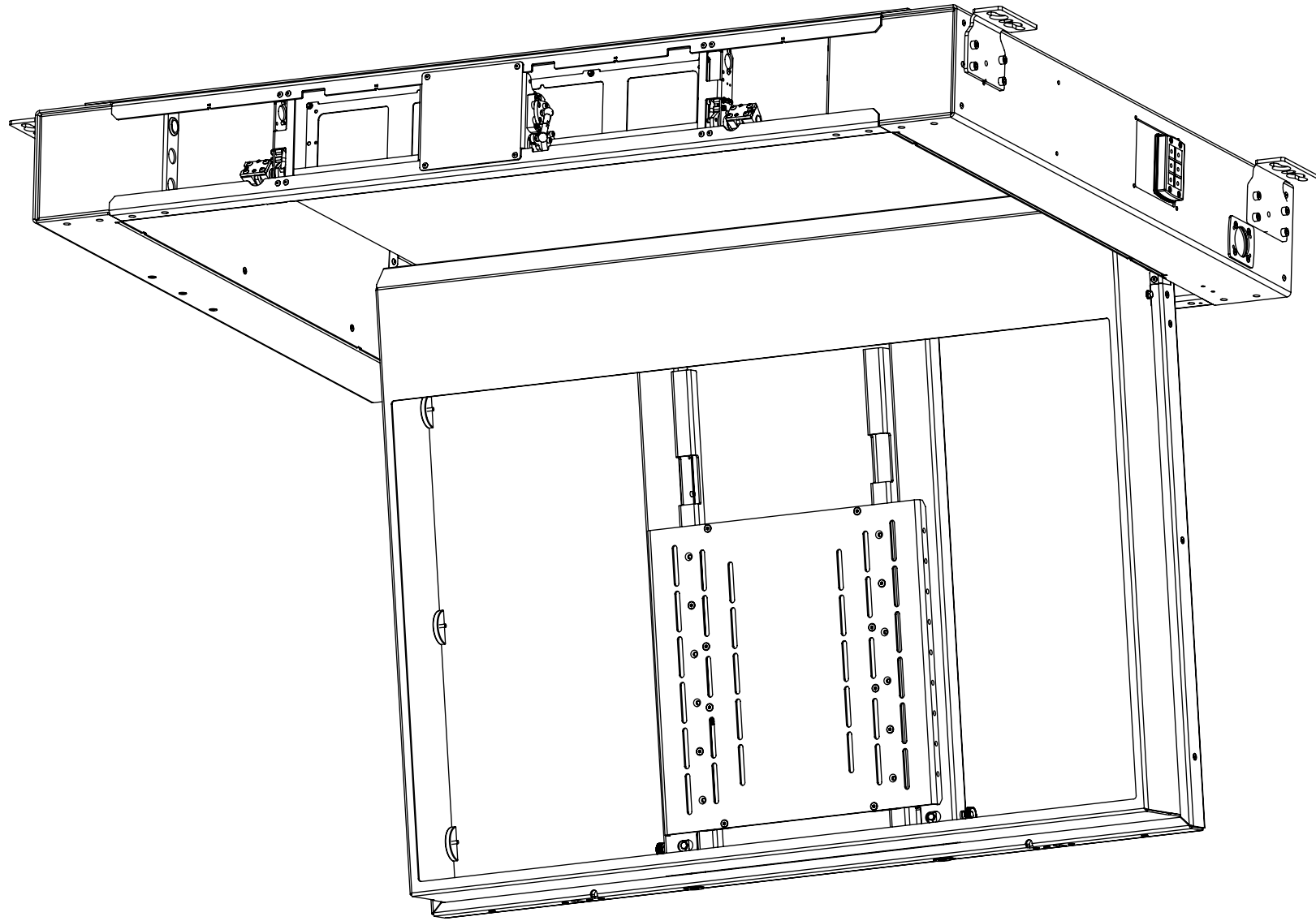


CHR5-M

MARINE INDOOR CEILING HINGE RANGE



MECHANISM AS SUPPLIED

CHR5-M

MARINE INDOOR CEILING HINGE RANGE



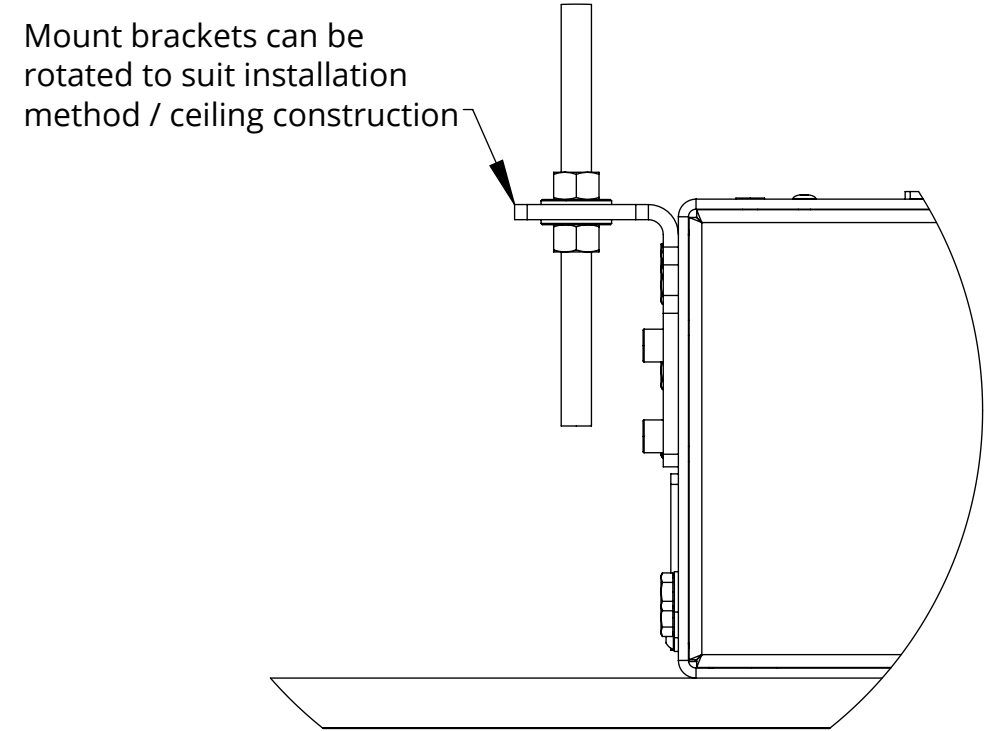
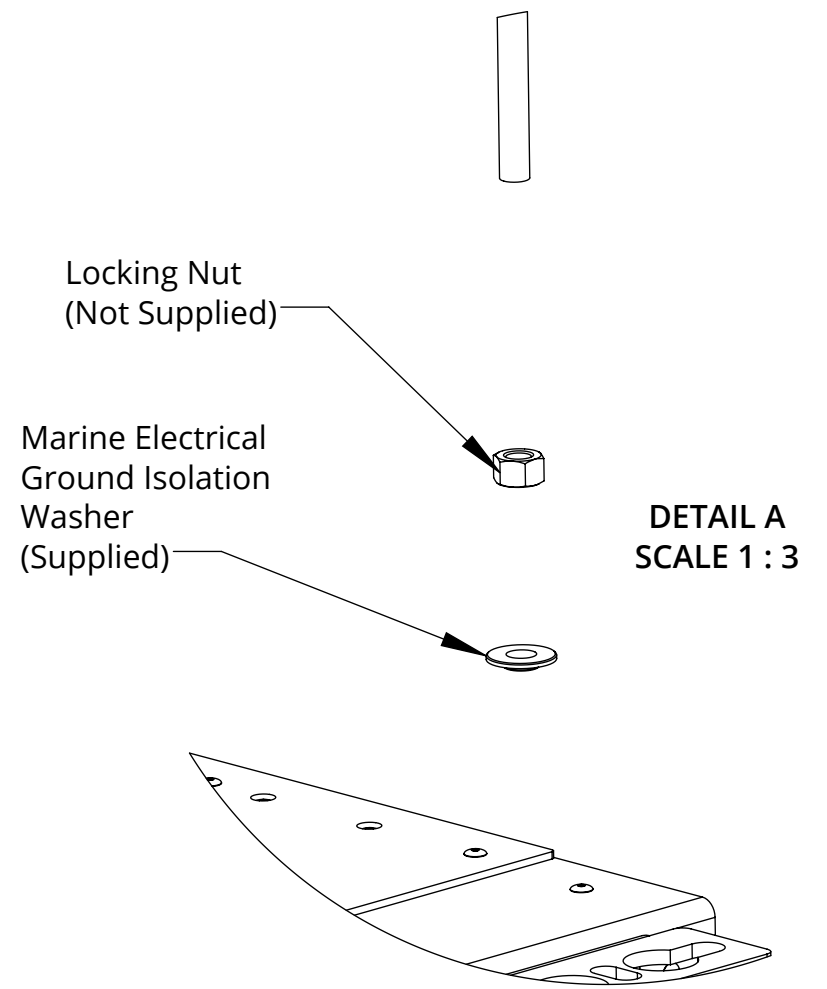
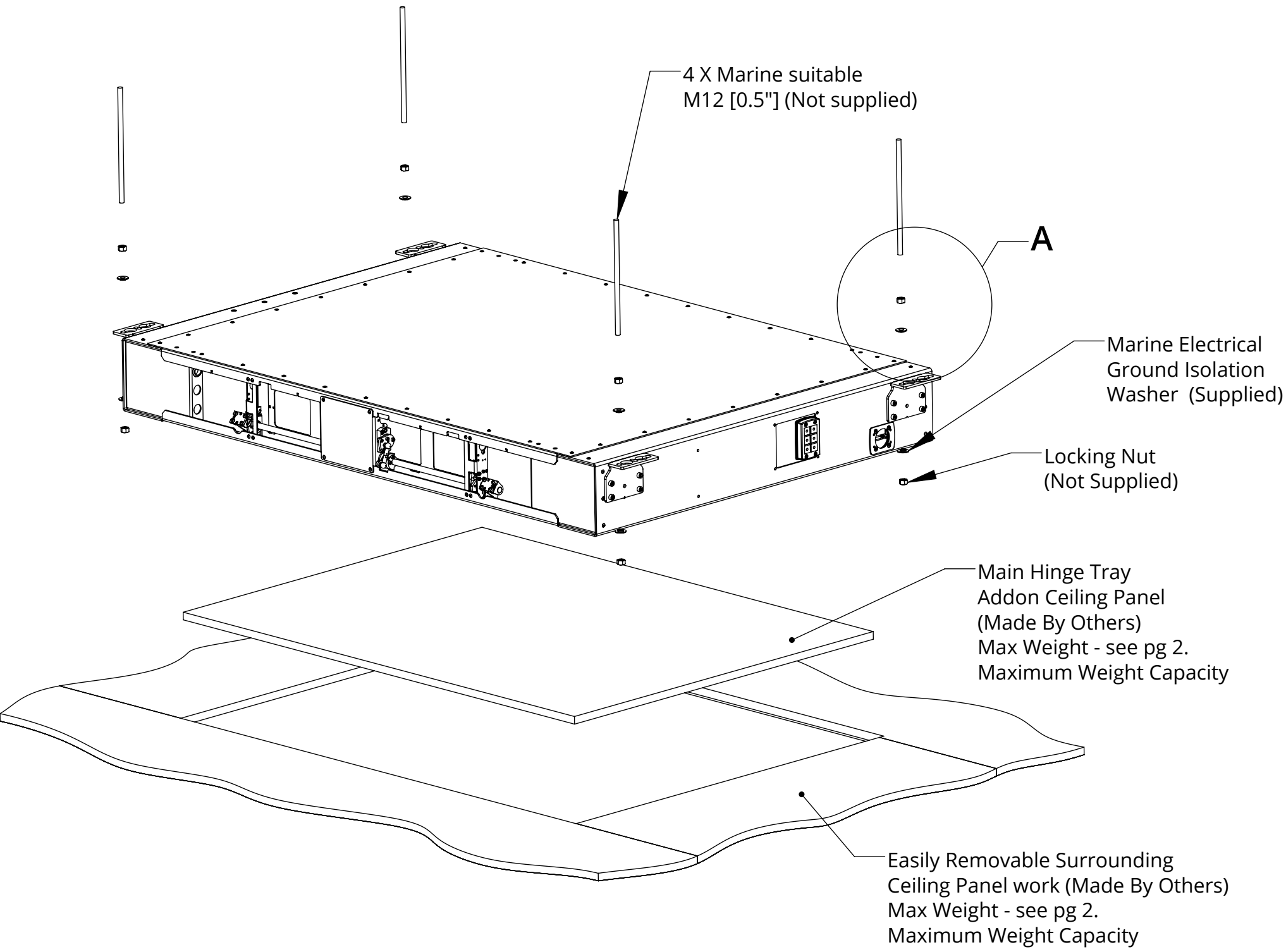
future automation

SPECIFICATION	MEASUREMENTS
Product Dimensions	1824mm [71 13/16"] W x 1202mm [47 5/16"] L x 195mm [7 11/16"] D
Product Weight	120Kg [265lb]
Maximum Screen Size (≤70mm D)	1330mm [52 3/8 "] W x 800mm [31 1/2 "] L x 70mm [2 3/4 "] D
Maximum Screen Size (>70mm D)	1330mm [52 3/8 "] W x 770mm [30 5/16"] L x 95mm [3 3/4 "] D
Maximum Weight Capacity	40Kg [88lb] Max. - Inc 10Kg [22lb] Max. Addon Ceiling Panel Main Hinge <i>*Assuming Screen Weight Biased Low (3/4 Screen Height)</i>
Packaging Dimensions	1870mm [73 5/8 "] W x 1360mm [53 9/16"] L x 440mm [17 5/16"] D
Shipping Weight	224Kg [493lb]
Maximum Rotation	100° - programmable limit to 90°
Movement Type	Motorised
Control System	Housed internally - Accessible through internal access hatch.
Power Supply Required	110V - 240V AC 50/60Hz
Power Consumption Max.	720W
Power Consumption Standby	3W
Mounting Patterns Supported	VESA 400, 300, 200 W x 400, 300, 200 H
Control Options	IR Remote, RS232, Contact Closure
Product Options / Features	Specific B&O and Loewe mounts / adapters, Custom RAL paint finishes, Marine suitable version
Package Contents	Mechanism, IR remote control
Environment	Marine Indoor
Colour	WHITE - RAL9910 Satin Finish
Marine Suitable	Yes - Marine Locks for secure stowing when not in use

CHR5-M

MARINE INDOOR CEILING HINGE RANGE

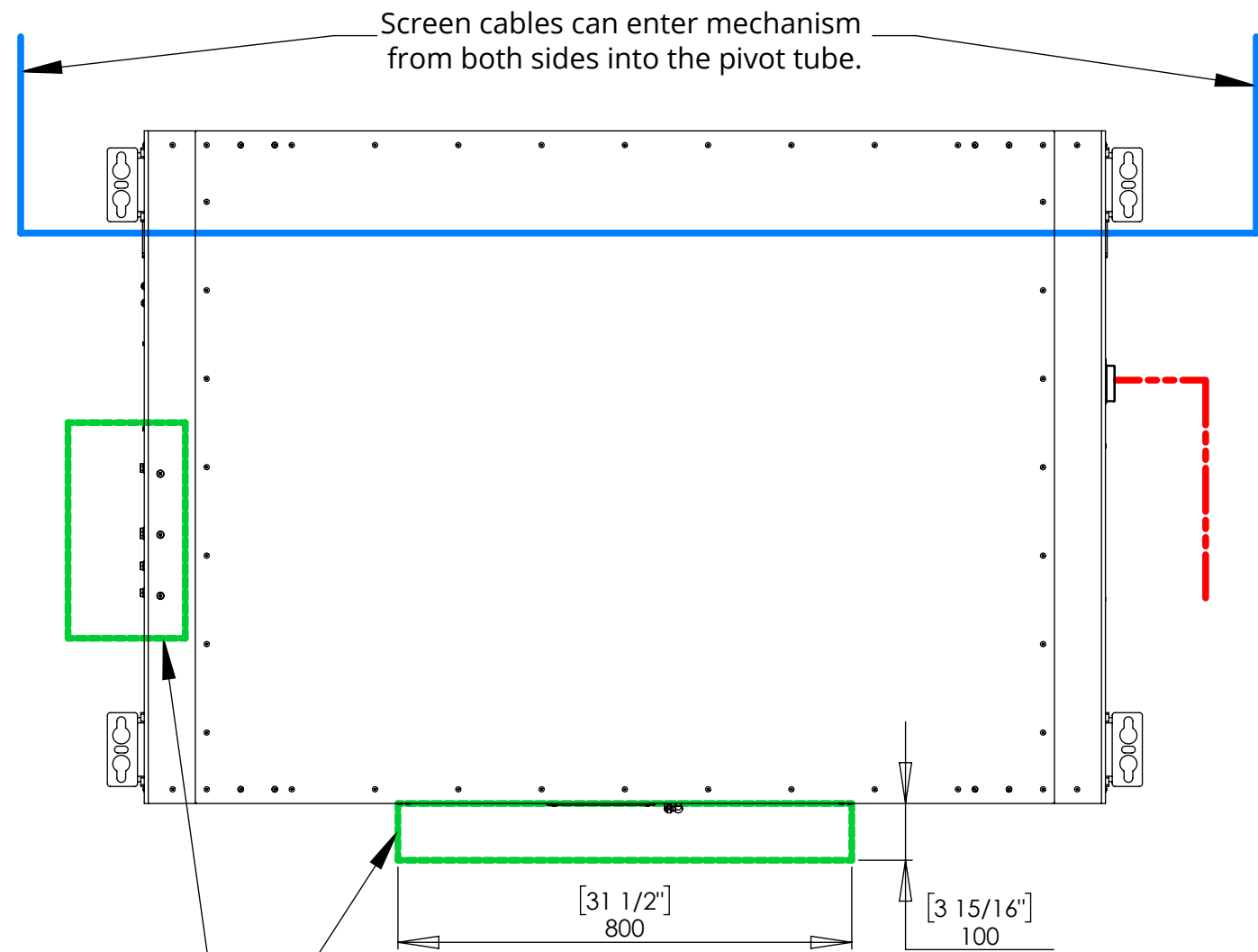
MECHANISM MOUNTING DETAILS



CHR5-M

MARINE INDOOR CEILING HINGE RANGE

CEILING PREPARATION



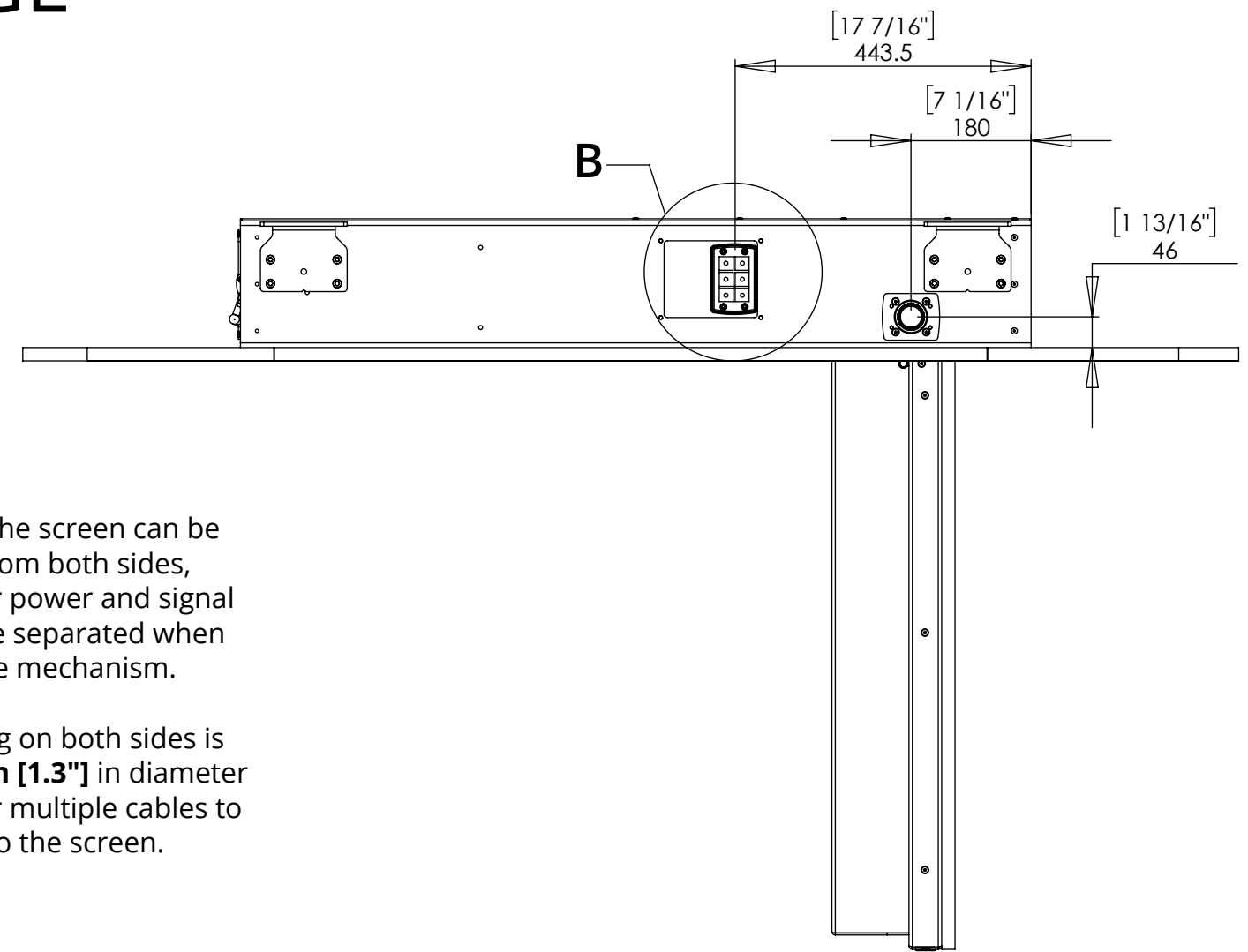
Screen cables can enter mechanism from both sides into the pivot tube.

[31 1/2"]
800

[3 15/16"]
100

Keep these areas in front & to side of mechanism in ceiling free of obstruction for maintenance and servicing.

- - - - - Mechanism Power and Control Cables.
- Screen power and Signal

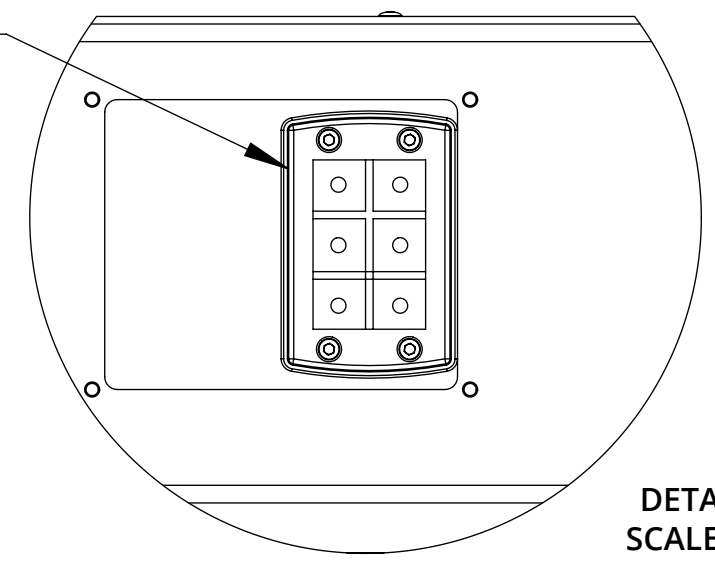


Cables for the screen can be routed in from both sides, allowing for power and signal cables to be separated when entering the mechanism.

The opening on both sides is **MIN. 32mm [1.3"]** in diameter allowing for multiple cables to be routed to the screen.

Cables pass through easily removable cable gland plates into mechanism.

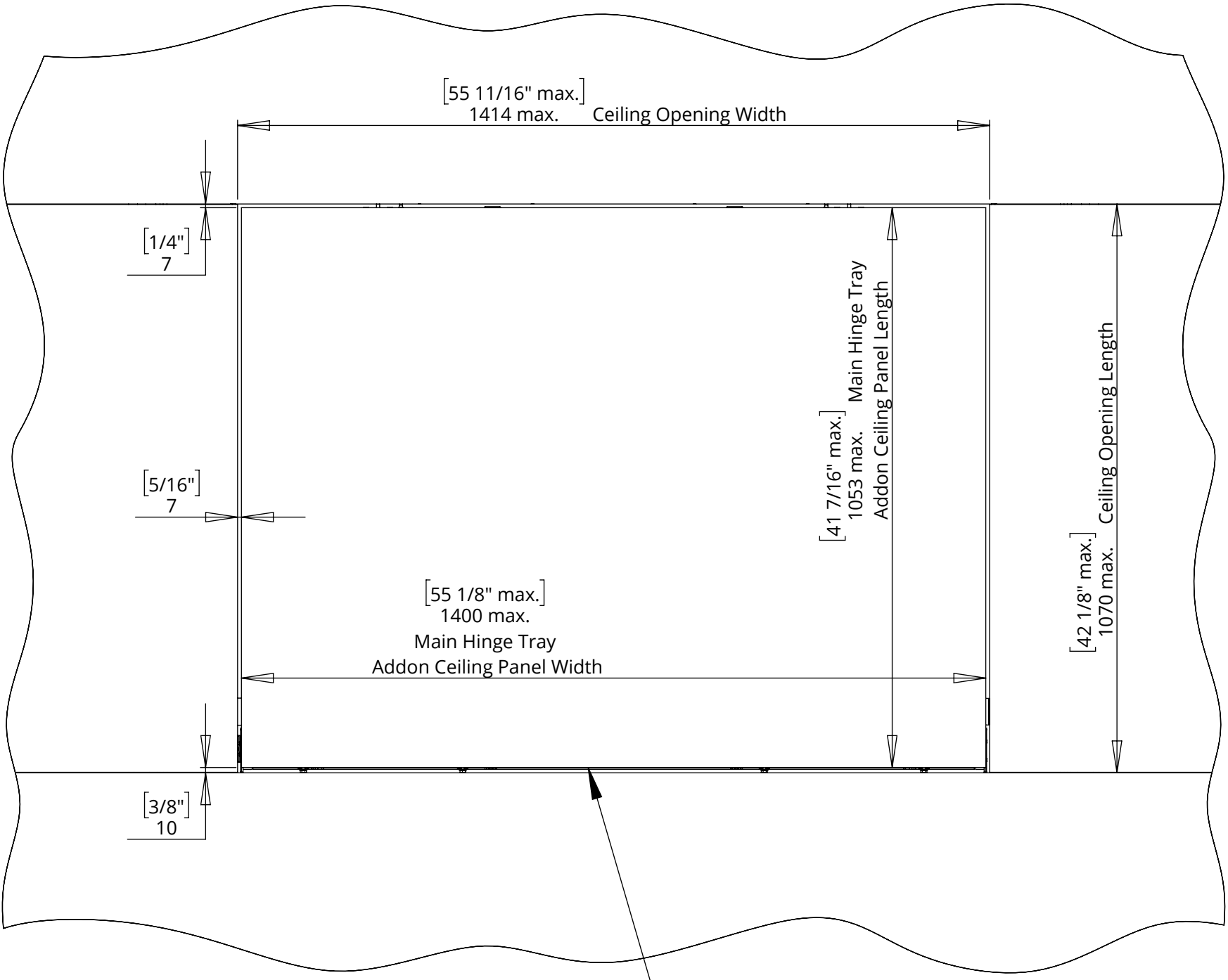
Additional glands to suit different cable sizes are available on request.



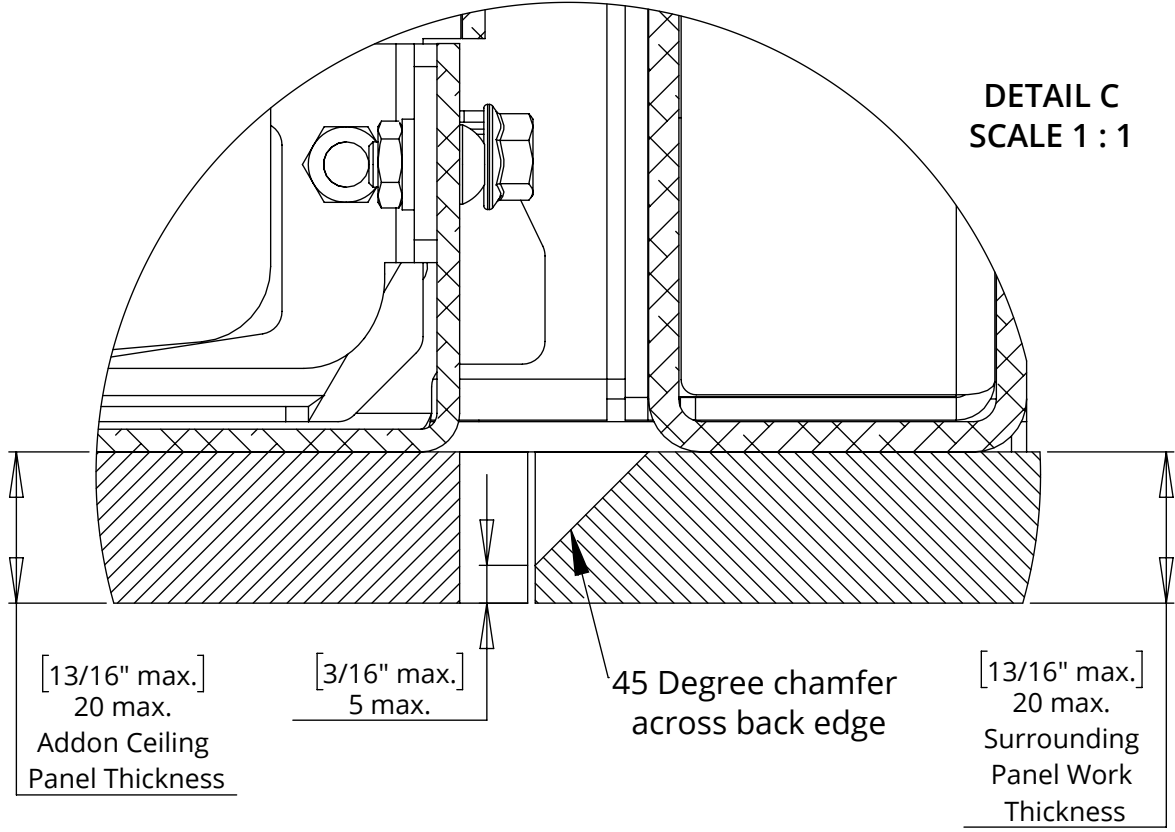
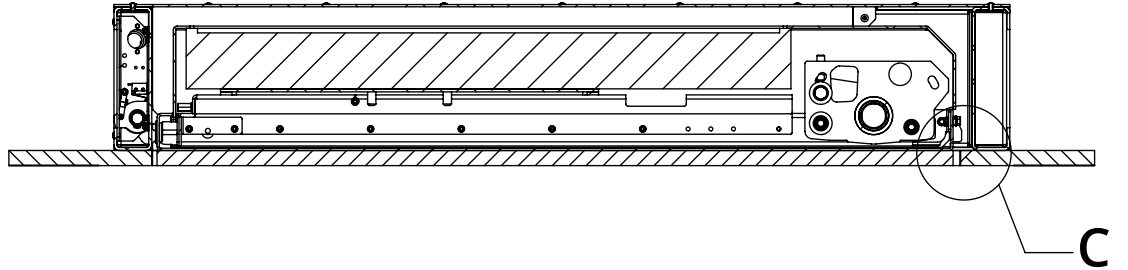
DETAIL B
SCALE 1 : 3

CHR5-M MARINE INDOOR CEILING HINGE RANGE

CEILING DETAILS



Mechanism designed to work with min. 7mm [0.3"] shadow gaps at front and sides



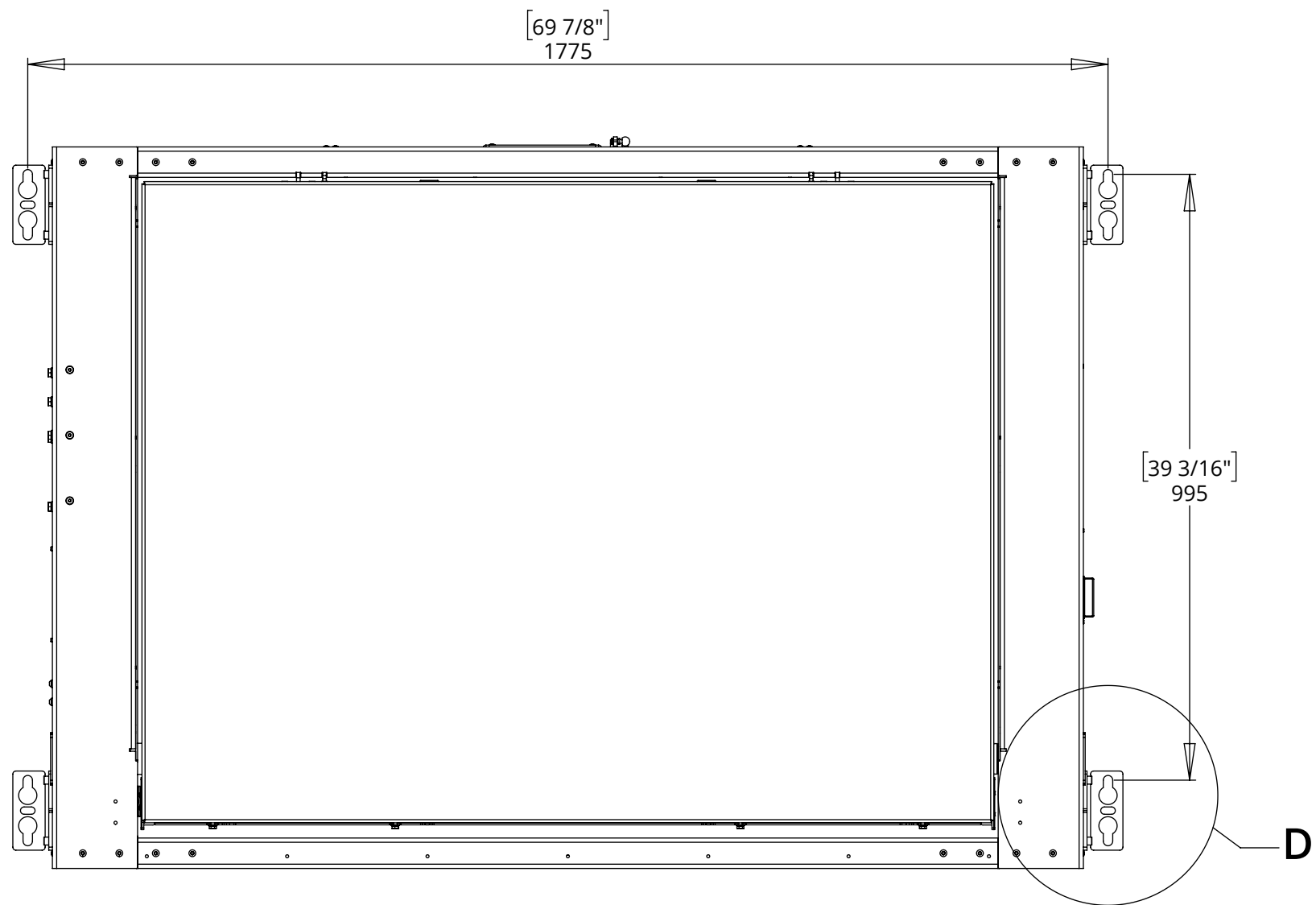
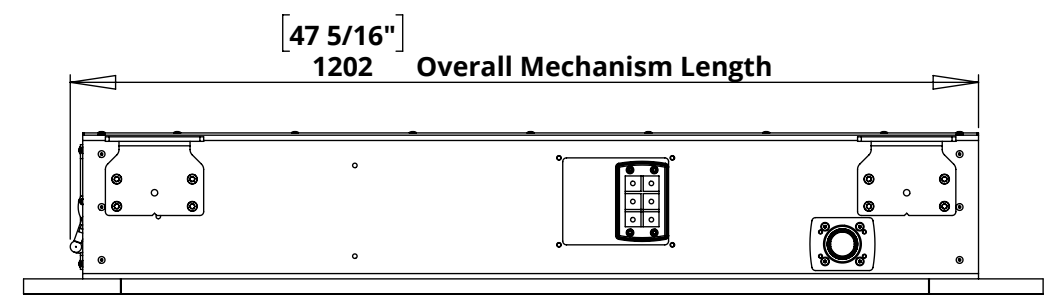
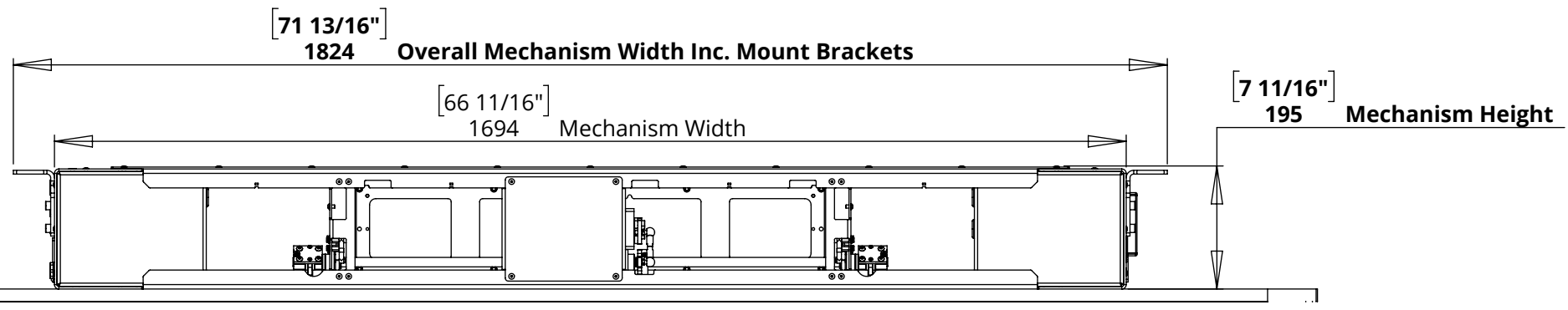
Ensure all panel work is the same thickness.

Weight of all addon panel work must be included in maximum mechanism lifting capacity.

CHR5-M

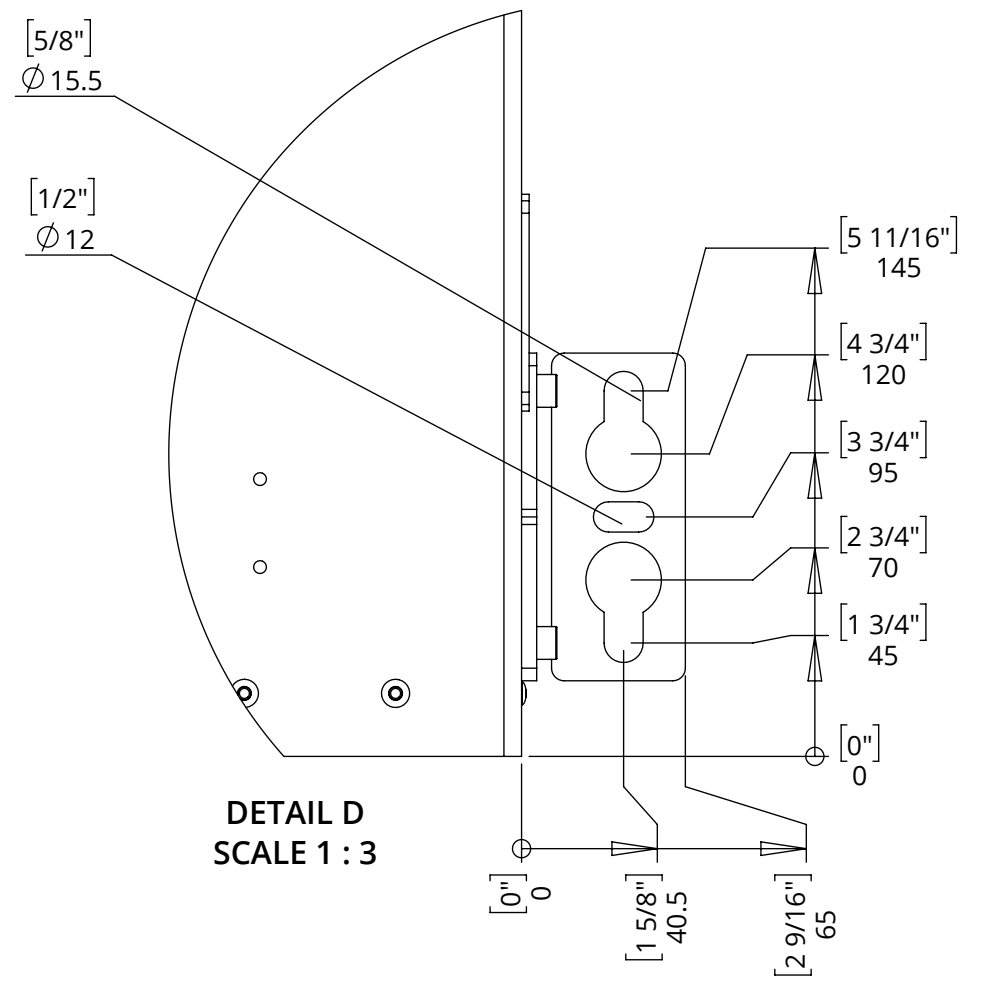
MARINE INDOOR CEILING HINGE RANGE

MECHANISM DIMENSIONS - CLOSED



FIXING DETAIL

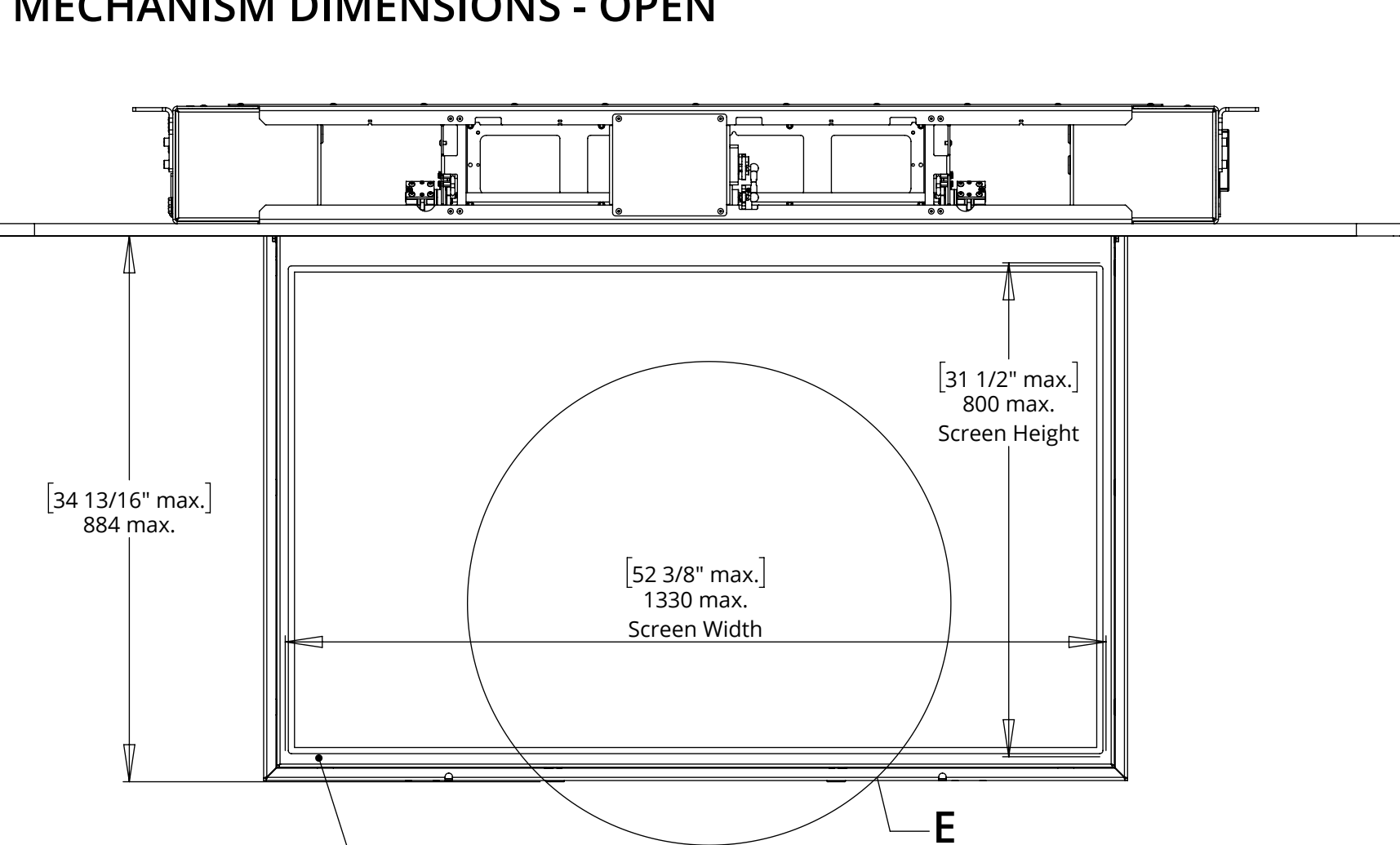
Mechanism mounted on M12 [0.5] Studding or fixed to underside of the ceiling joist structure, both using the mounting brackets installed on mechanism as standard



CHR5-M

MARINE INDOOR CEILING HINGE RANGE

MECHANISM DIMENSIONS - OPEN



Shown with custom screen surround.

Supplied at request, screen details required at point of order.

Screen surround overlaps screen on all edges by 5mm as standard. If required this can be customised to suit.

