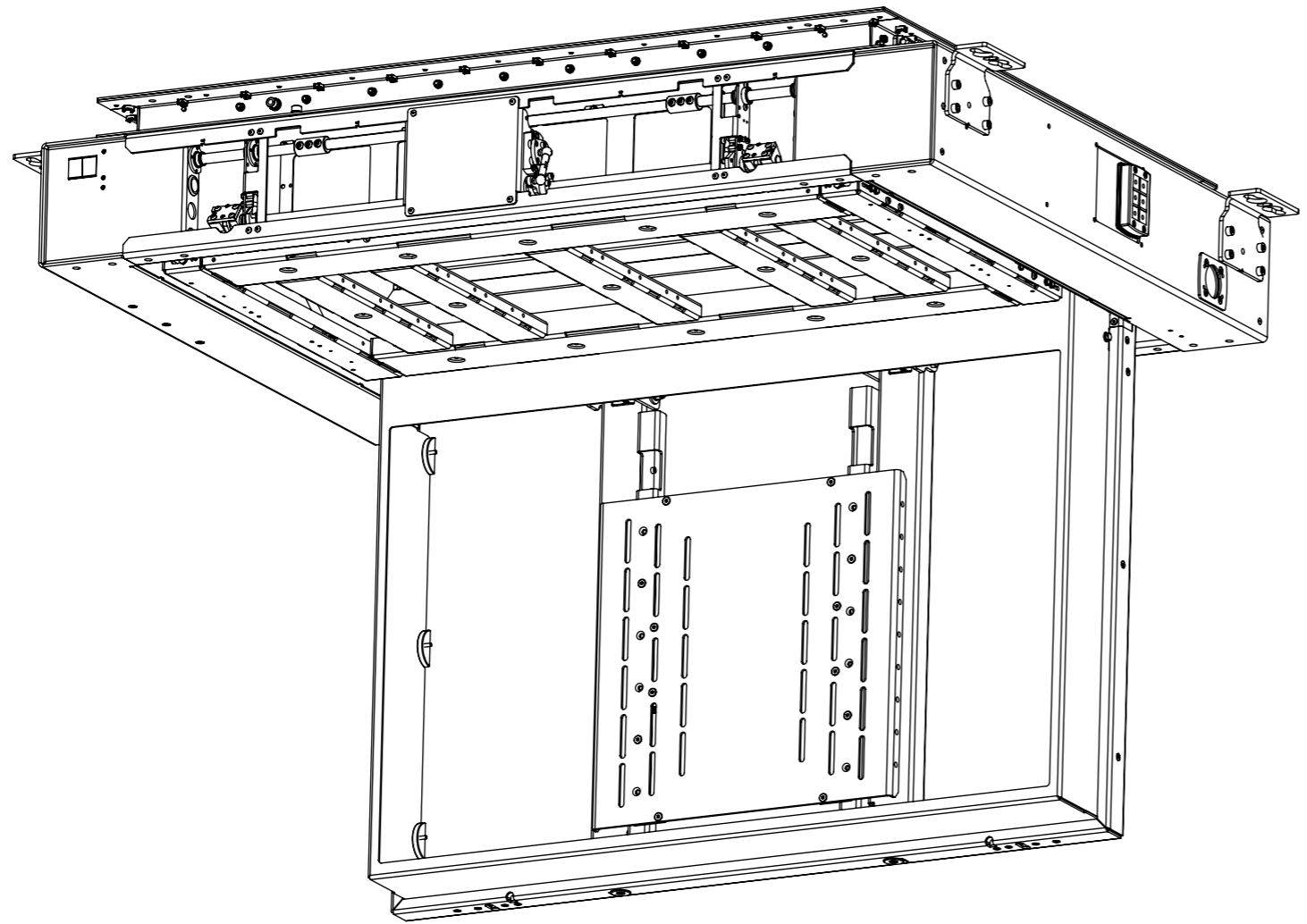
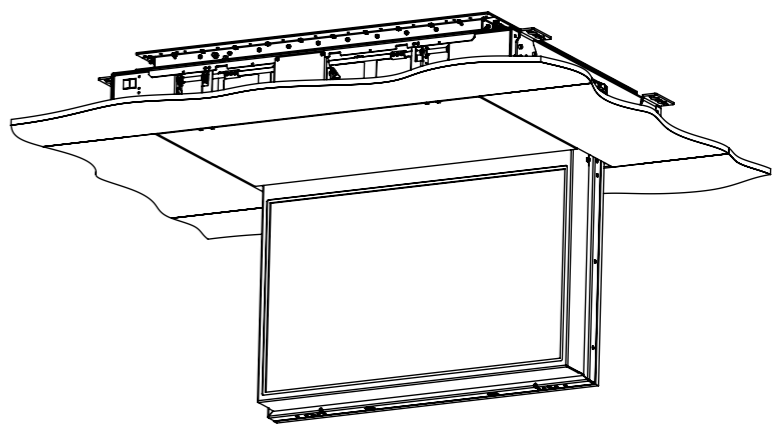
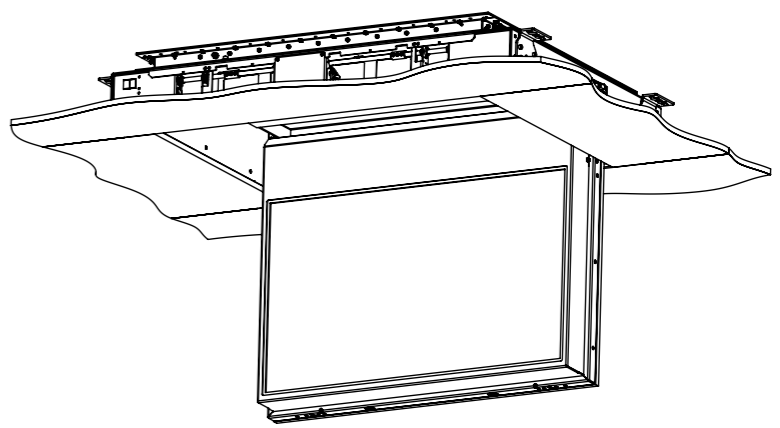
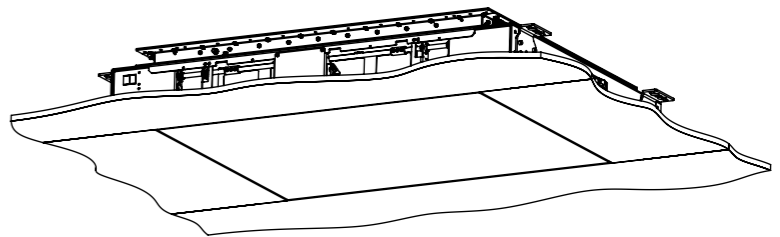


# CHR4-M-DDP

## MARINE INDOOR CEILING HINGE RANGE WITH DROP DOWN PANEL



MECHANISM AS SUPPLIED



# CHR4-M-DDP

## MARINE INDOOR CEILING HINGE RANGE WITH DROP DOWN PANEL



future automation

SPECIFICATION	MEASUREMENTS
Product Dimensions	1624mm [63 15/16"] W x 1082mm [42 5/8 "] L x 252mm [9 15/16"] D
Product Weight	145Kg [320lb]
Maximum Screen Size (≤70mm D)	1130mm [44 1/2 "] W x 680mm [26 3/4 "] L x 70mm [2 3/4 "] D
Maximum Screen Size (>70mm D)	1130mm [44 1/2 "] W x 650mm [25 9/16"] L x 85mm [3 3/8 "] D
Maximum Weight Capacity	50Kg [110lb] Max. - Inc 10Kg [22lb] Max. Addon Ceiling Panel Main Hinge - Drop Down Panel Max Weight Capacity - 10Kg [22lbs] <i>*Assuming Screen Weight Biased Low (3/4 Screen Height)</i>
Packaging Dimensions	1670mm [65 3/4 "] W x 1240mm [48 13/16"] L x 500mm [19 11/16"] D
Shipping Weight	207Kg [457lb]
Maximum Rotation	90°
Movement Type	Motorised
Control System	Housed internally - Accessible through internal access hatch.
Power Supply Required	110V - 240V AC 50/60Hz
Power Consumption Max.	720W
Power Consumption Standby	3W
Mounting Patterns Supported	VESA 400, 300, 200 W x 400, 300, 200 H
Control Options	IR Remote, RS232, Contact Closure
Product Options / Features	Specific B&O and Loewe mounts / adapters, Custom RAL paint finishes, Marine suitable version
Package Contents	Mechanism, IR remote control
Environment	Marine Indoor
Colour	WHITE - RAL9910 Satin Finish
Marine Suitable	Yes - Marine Locks for secure stowing when not in use.

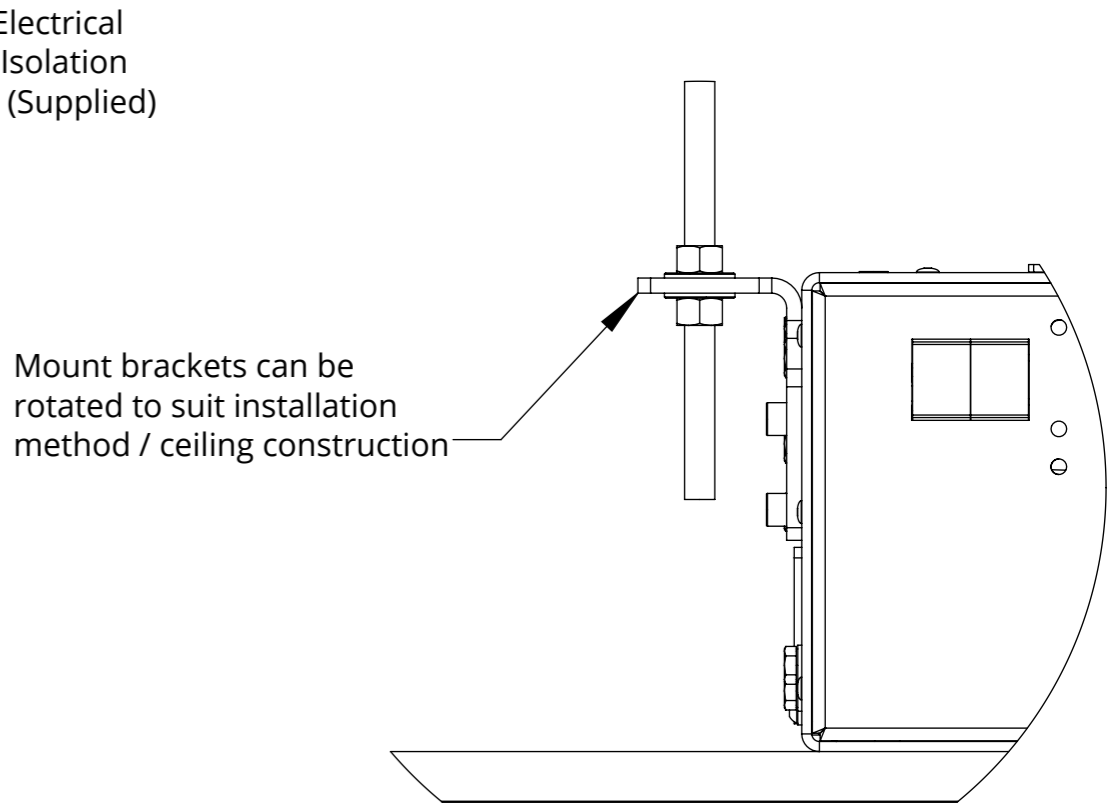
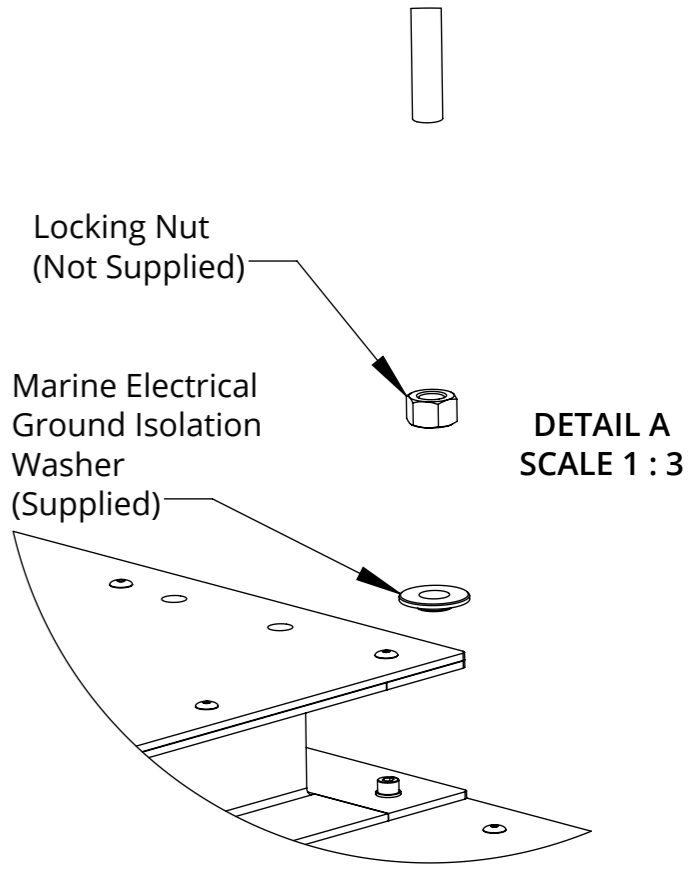
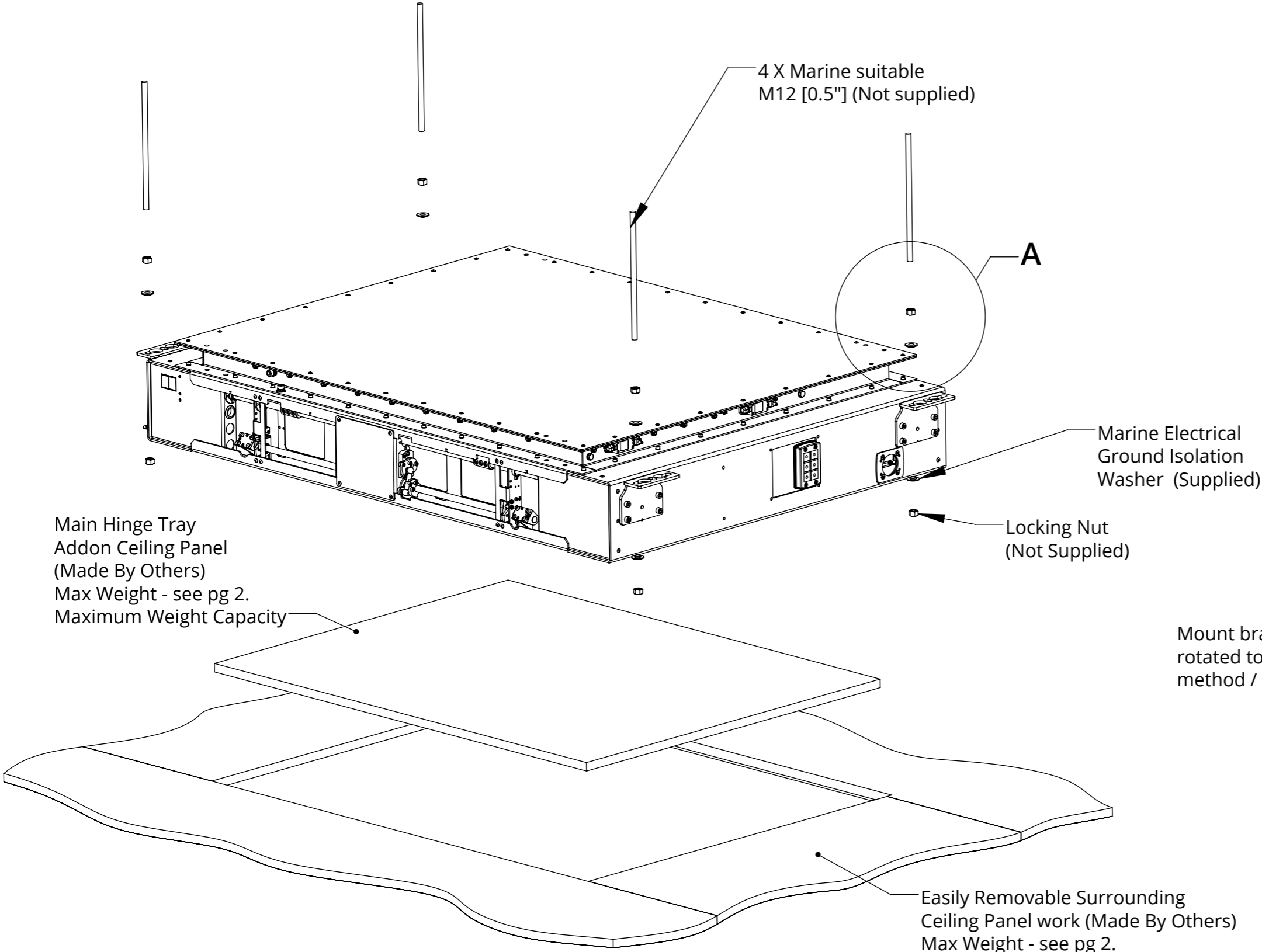
# CHR4-M-DDP

## MARINE INDOOR CEILING HINGE RANGE WITH DROP DOWN PANEL



future automation

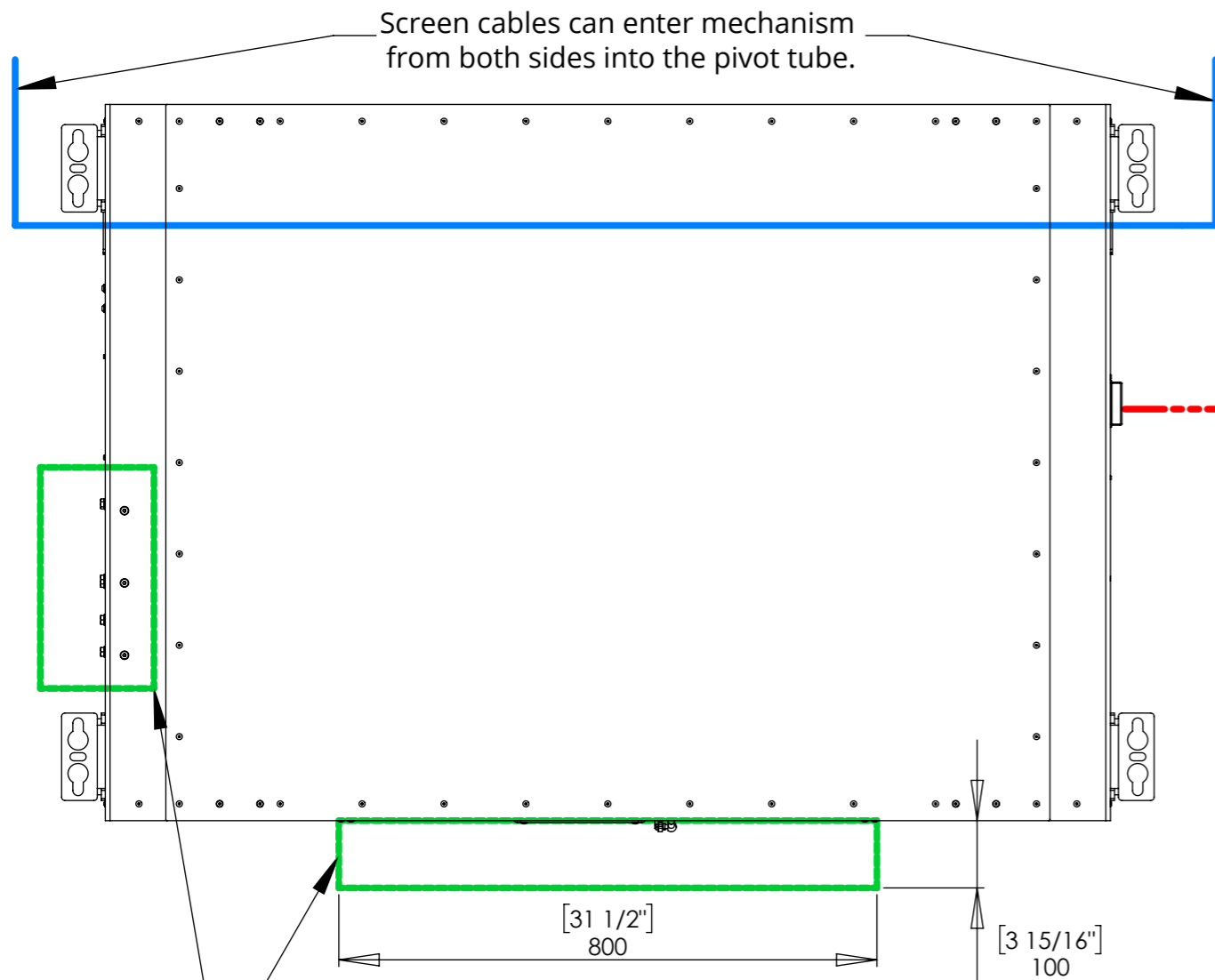
### MECHANISM MOUNTING DETAILS



# CHR4-M-DDP

## MARINE INDOOR CEILING HINGE RANGE WITH DROP DOWN PANEL

### CEILING PREPARATION



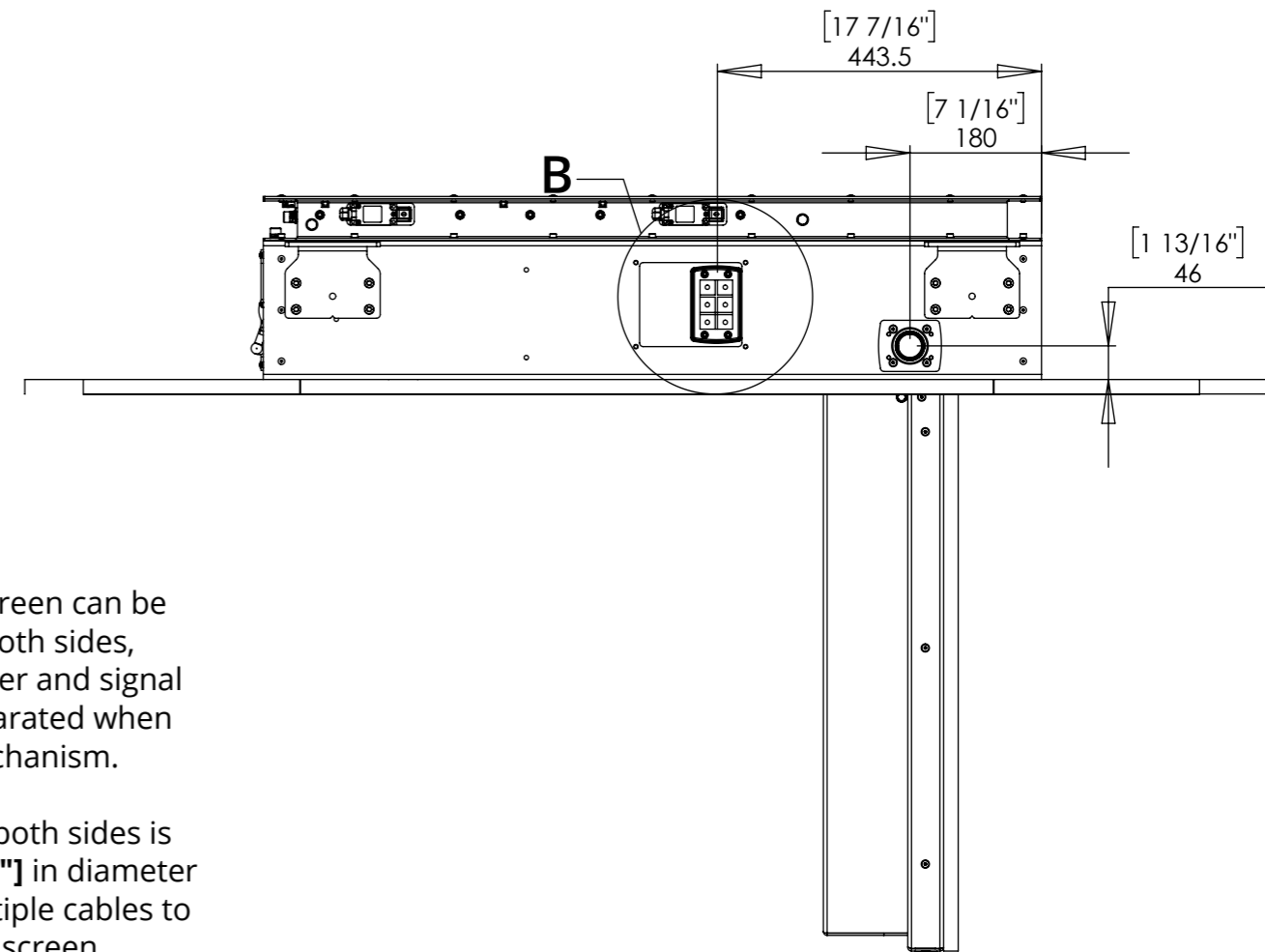
Keep these areas in front and to side of mechanism in ceiling free of obstruction for maintenance and servicing.

----- Mechanism Power and Control Cables.

————— Screen power and Signal

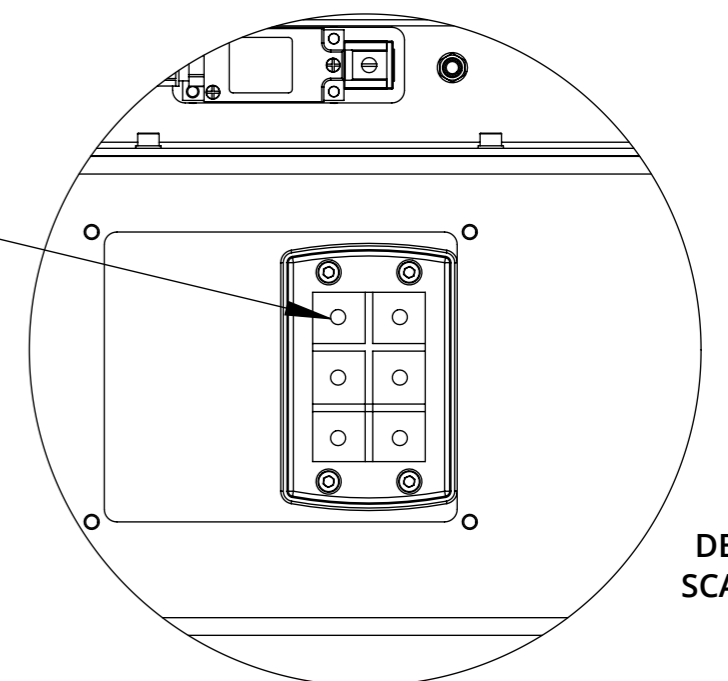
Cables for the screen can be routed in from both sides, allowing for power and signal cables to be separated when entering the mechanism.

The opening on both sides is **MIN. 32mm [1.3"]** in diameter allowing for multiple cables to be routed to the screen.



Cables pass through easily removable cable gland plates into mechanism.

Additional glands to suit different cable sizes are available on request.



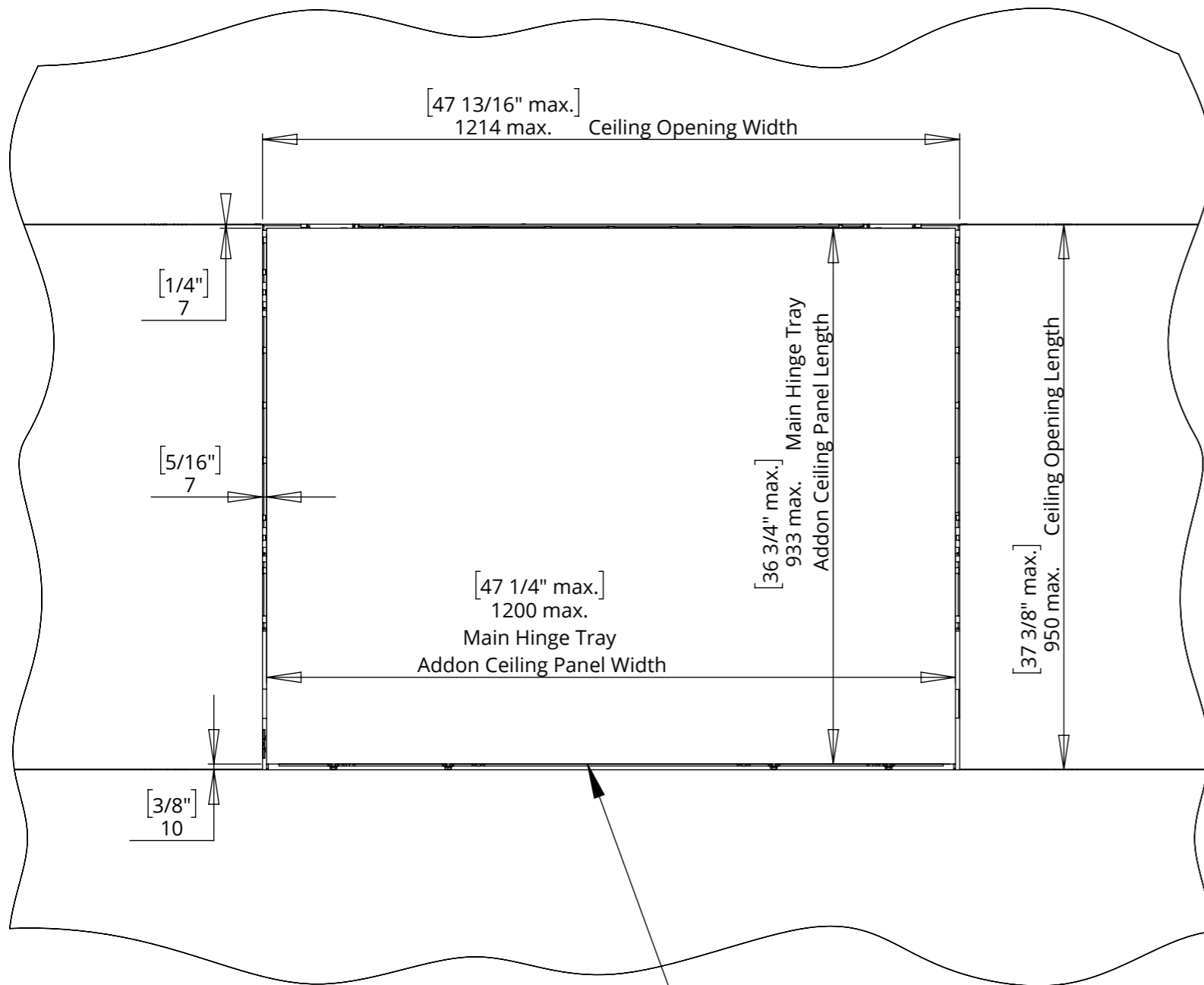
DETAIL B  
SCALE 1 : 3



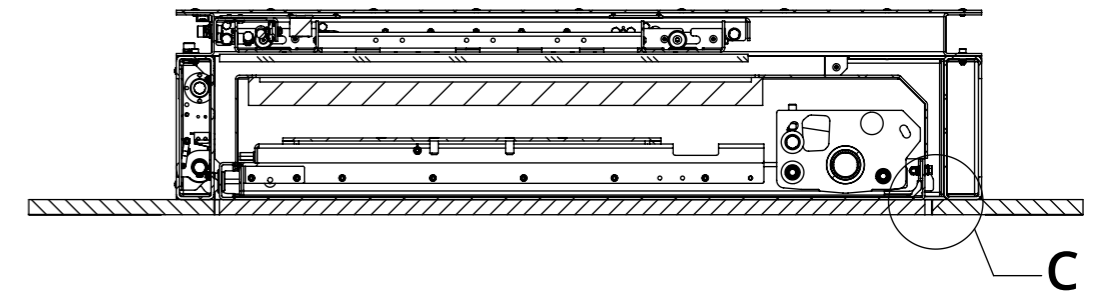
# CHR4-M-DDP

## MARINE INDOOR CEILING HINGE RANGE WITH DROP DOWN PANEL

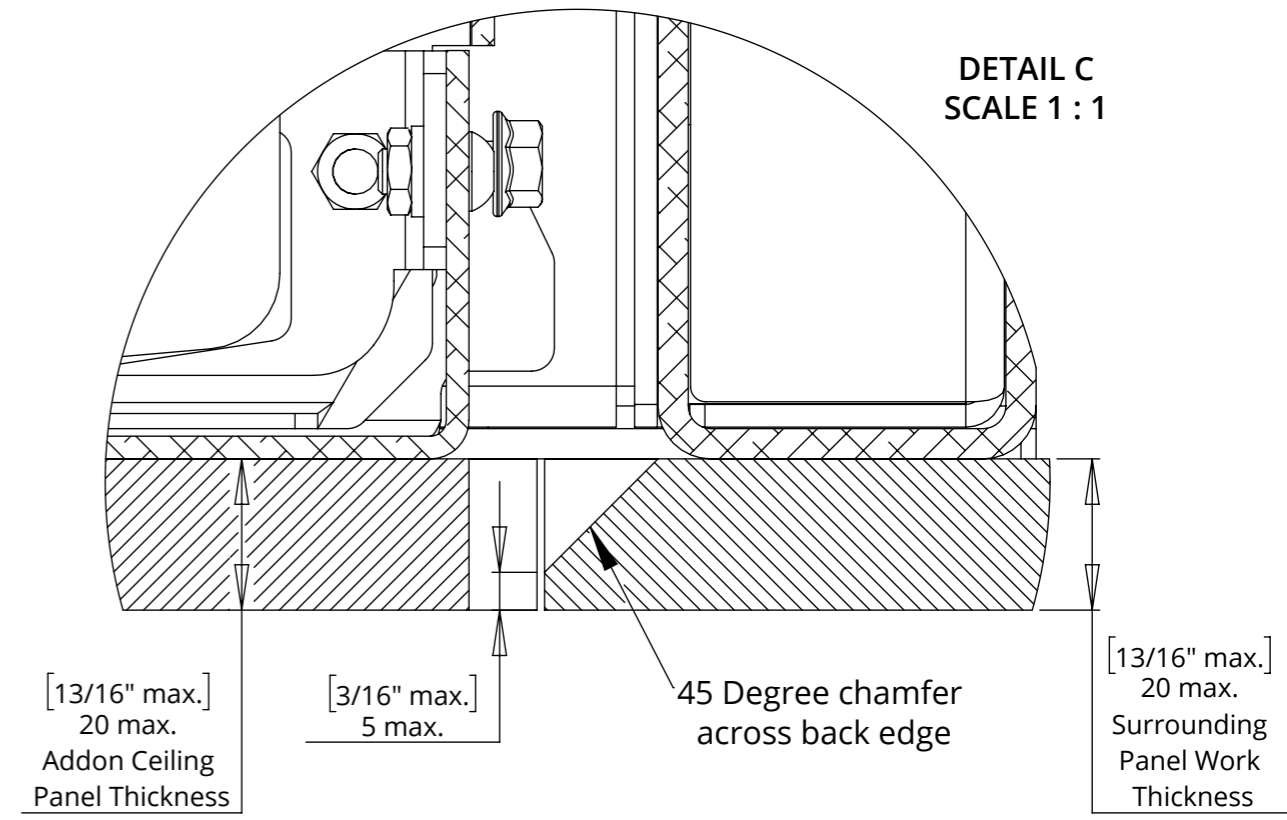
### CEILING DETAILS



Mechanism designed to work with min. 7mm [0.3"] shadow gaps at front and sides



C



**Ensure all panel work is the same thickness.**

**Weight of all add-on panel work must be included in maximum mechanism lifting capacity.**

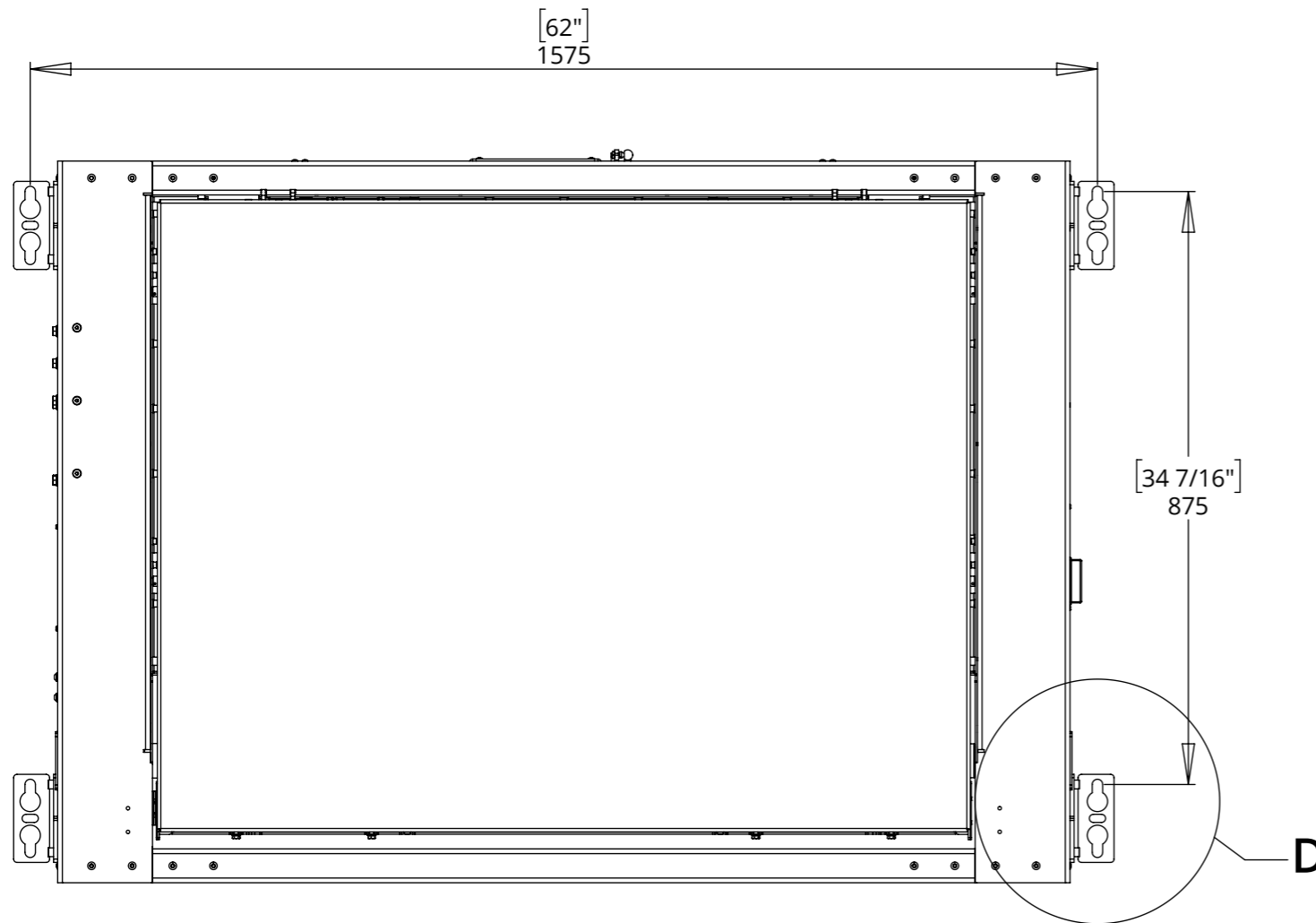
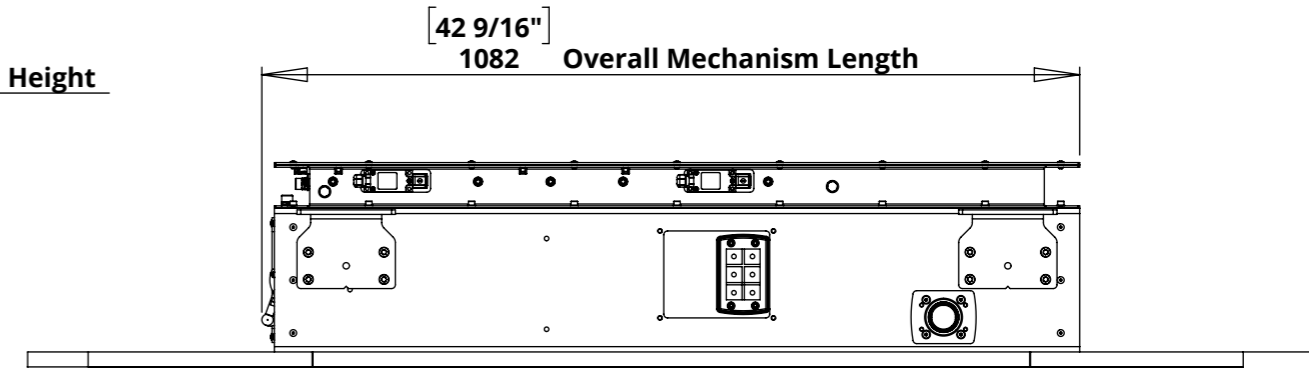
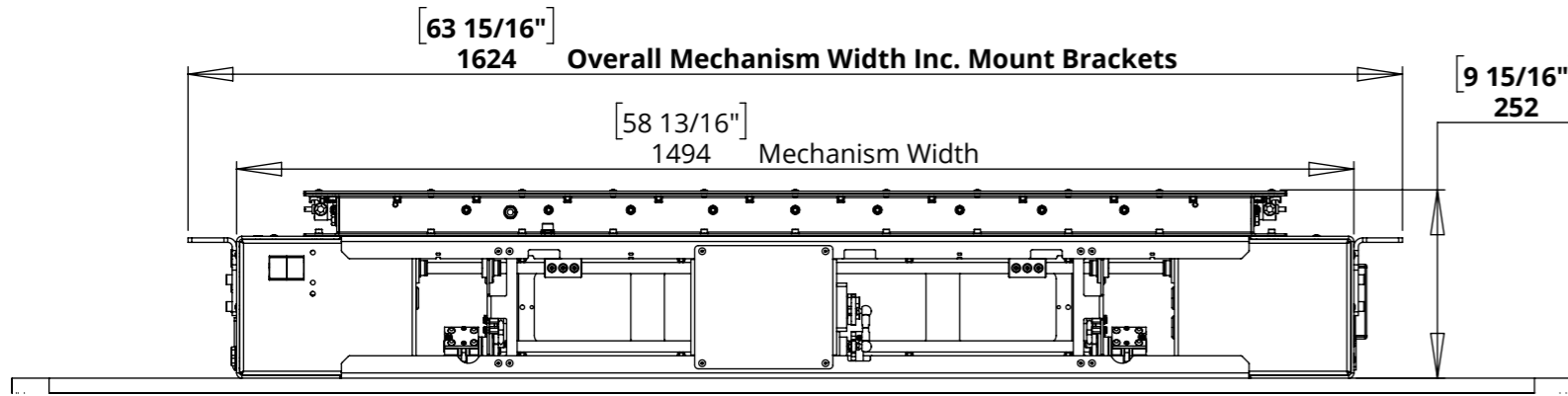
# CHR4-M-DDP

## MARINE INDOOR CEILING HINGE RANGE WITH DROP DOWN PANEL



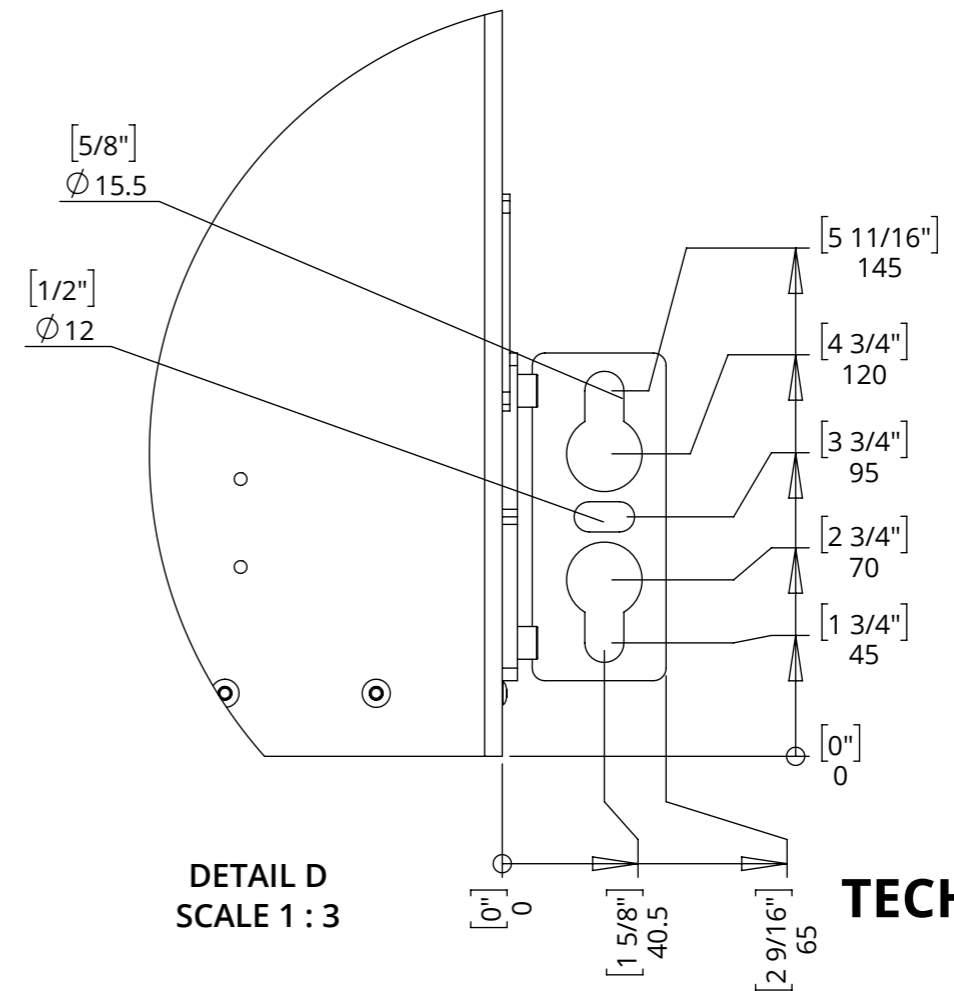
future automation

### MECHANISM DIMENSIONS - CLOSED



### FIXING DETAIL

Mechanism mounted on M12 [0.5] Studding or fixed to underside of the ceiling joist structure, both using the mounting brackets installed on mechanism as standard



DETAIL D  
SCALE 1 : 3

**TECHNICAL SHEET**  
ISSUE 004  
SHEET 6

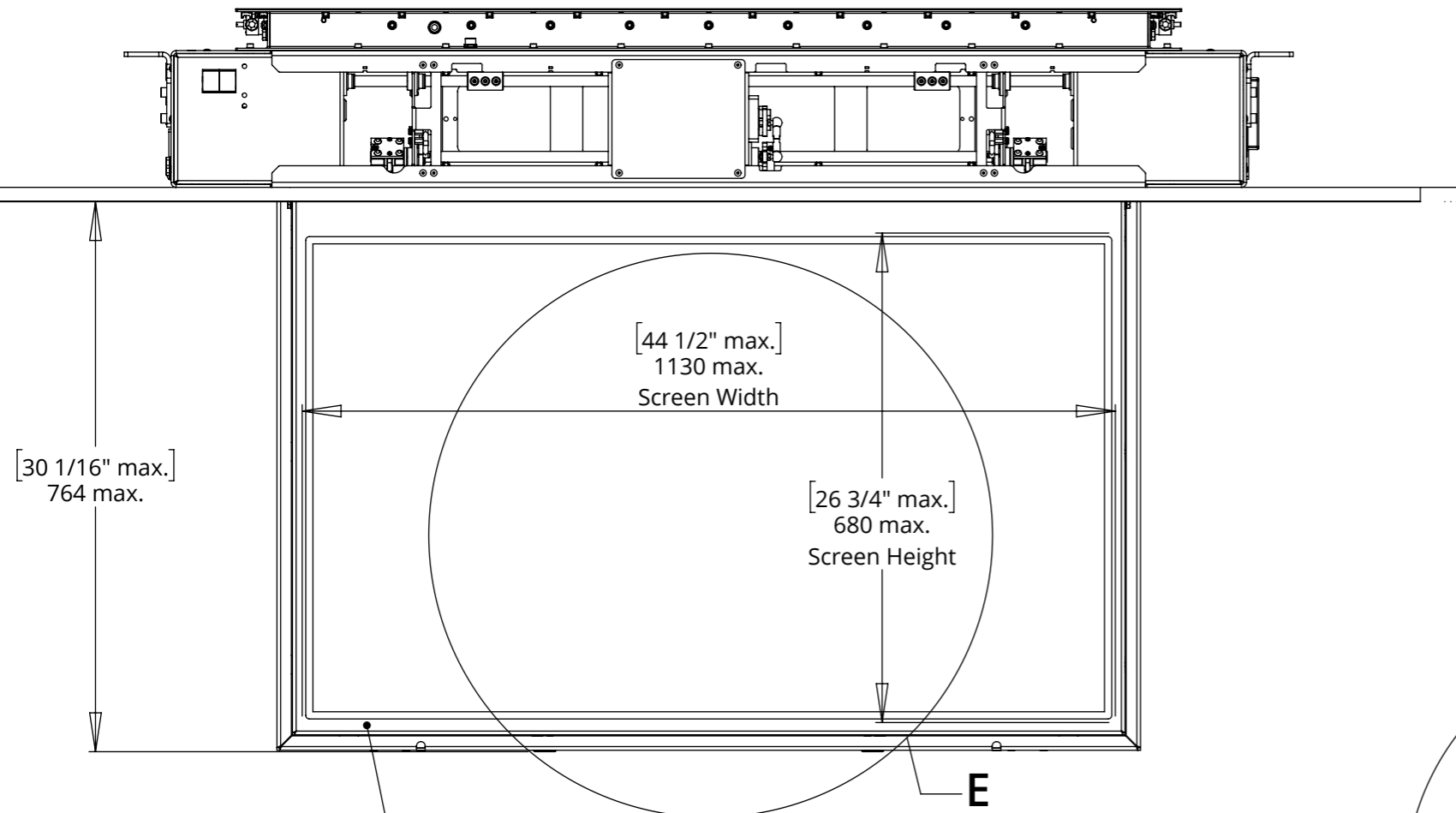
# CHR4-M-DDP

## MARINE INDOOR CEILING HINGE RANGE WITH DROP DOWN PANEL



future automation

### MECHANISM DIMENSIONS - OPEN



[30 1/16" max.]  
764 max.

[44 1/2" max.]  
1130 max.  
Screen Width

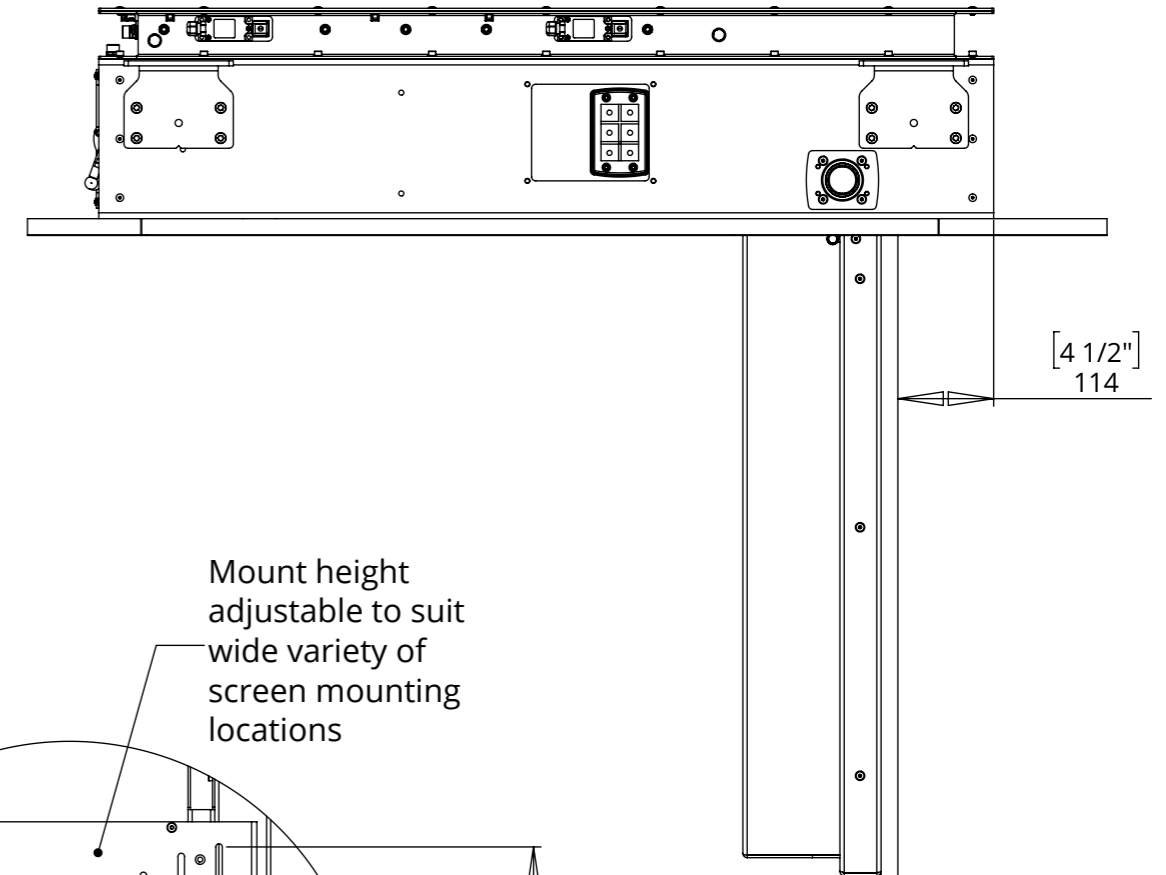
[26 3/4" max.]  
680 max.  
Screen Height

E

Shown with custom screen surround.

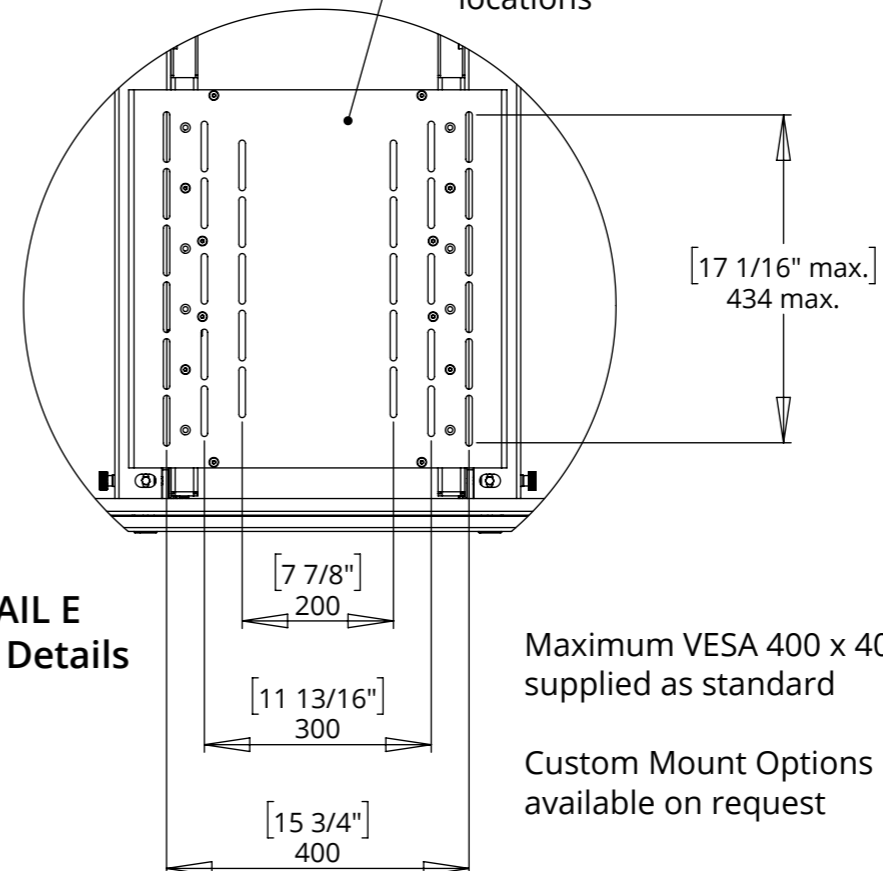
*Supplied at request, screen details required at point of order.*

*Screen surround overlaps screen on all edges by 5mm as standard. If required this can be customised to suit.*



[4 1/2"]  
114

Mount height adjustable to suit wide variety of screen mounting locations



[17 1/16" max.]  
434 max.

DETAIL E  
Mount Details

Maximum VESA 400 x 400 supplied as standard

Custom Mount Options available on request

[7 7/8"]

200

[11 13/16"]

300

[15 3/4"]

400

**TECHNICAL SHEET**

ISSUE 004

SHEET 7

# CHR4-M-DDP



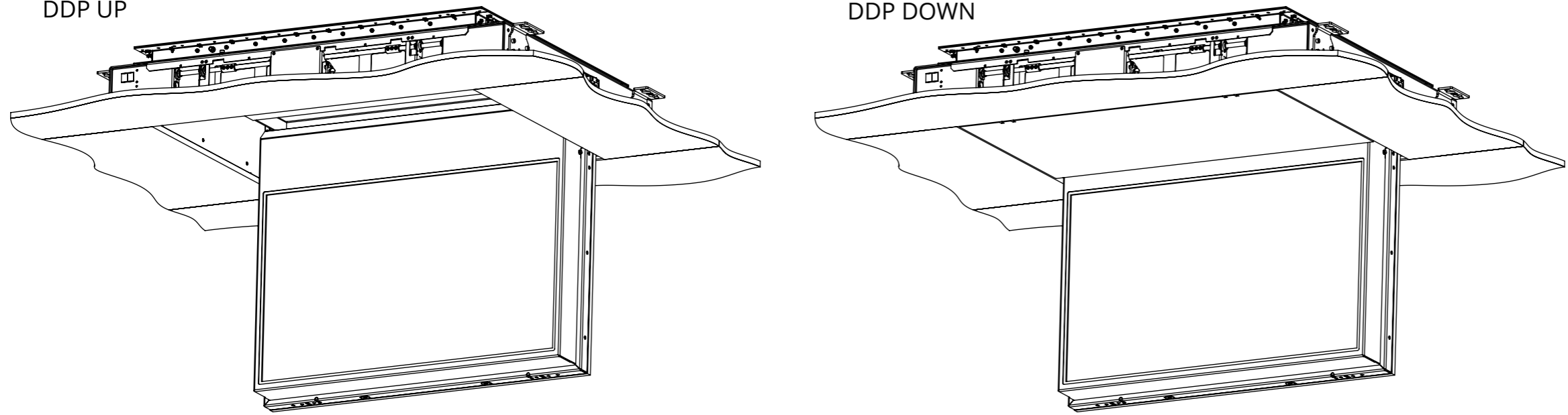
future automation

## MARINE INDOOR CEILING HINGE RANGE WITH DROP DOWN PANEL

### DROP DOWN PANEL DETAILS

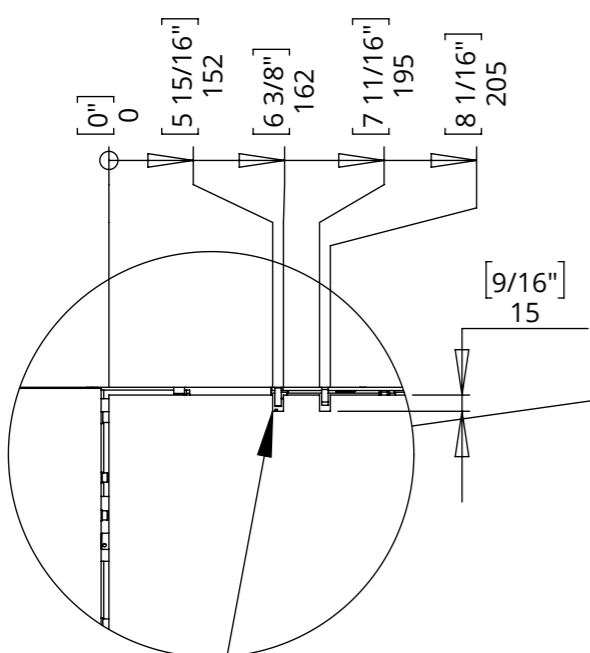
DDP UP

DDP DOWN



Drop Down Panel Max Thickness 10mm [3/8"]

Maximum Weight of Drop Down Panel can be found on Sheet 2



4 x 10x15mm Slots required for switch and lock clearance

