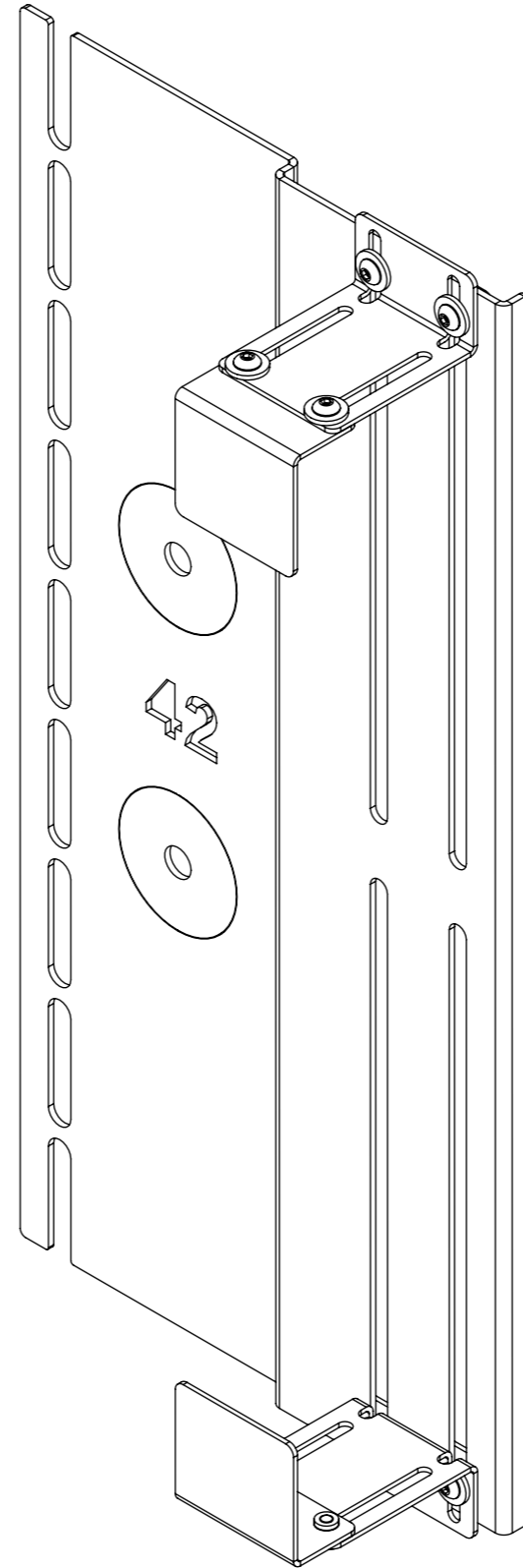


AM1

ACCESSORY MOUNT 1



future automation



AM1

ACCESSORY MOUNT 1



SPECIFICATION	MEASUREMENTS
Product Dimensions WxHxD	192mm (7.6") x 405mm (15.9") x 102mm (3.7") -MAX DEPTH
Maximum Accessory Size HxD	360mm (14.2") x 90mm (3.5")
Minimum Accessory Size Depth	27mm (1.1")
Product Weight	1.3Kg (2.9lb)
Packaging Dimensions WxHxD	200mm (7.8") x 410mm (16.1") x 40mm (1.6")
Package Contents	Mount Plate x1, Slide Plates x2 , Clamp Plate Std Size x2, Clamp Plate Lrg x2, Nut Plate x2, Screws & Washers
Marine Suitable	Yes (Indoors)

AM1

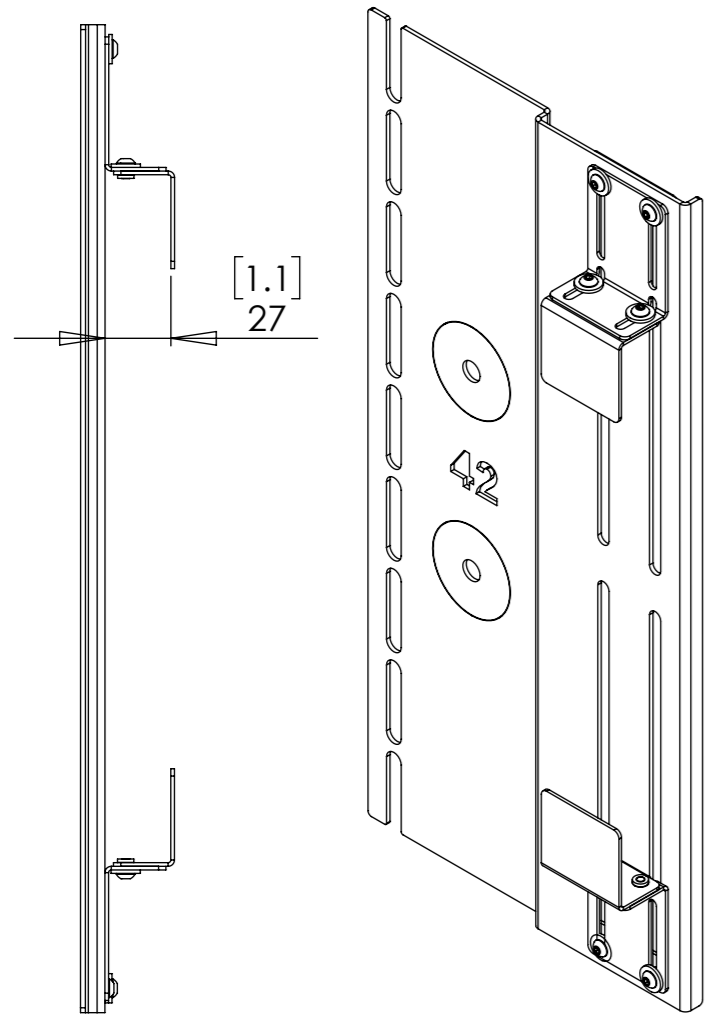
ACCESSORY MOUNT 1

CONFIGURATIONS

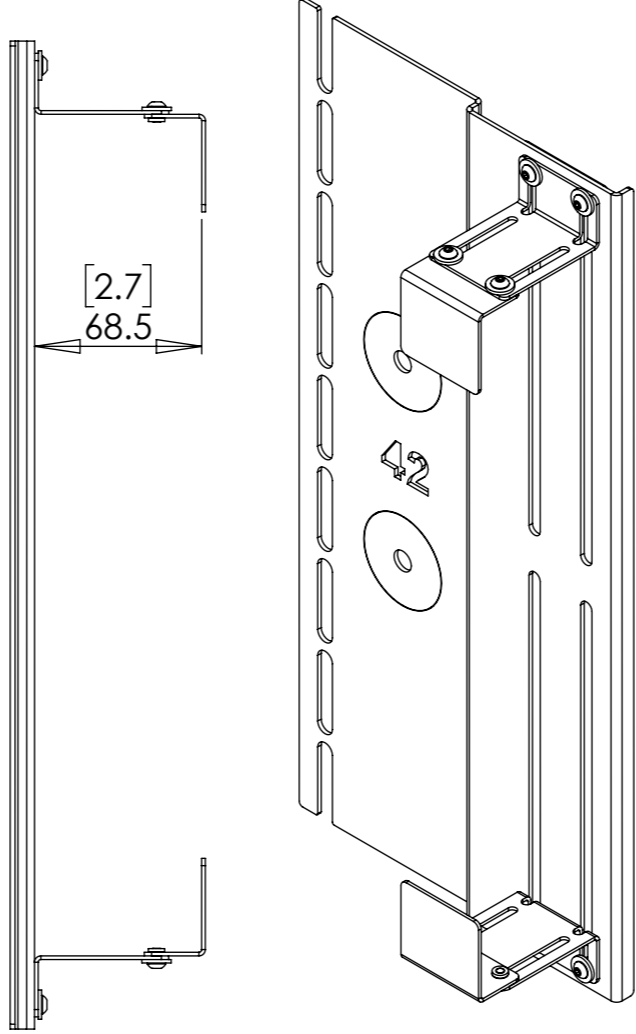
The AM1 comes with two slide plates and four clamp plates, in two size variations. The smaller clamp plate caters for accessories that have a depth of 27mm [1.1"] to 68mm [2.7"]. The larger clamp plate caters for accessories with a depth of 55mm [2.2"] to 90mm [3.5"].

Accessories between 30-55mm depth require the slide plate to be rotated to achieve thinner depth - shown below.

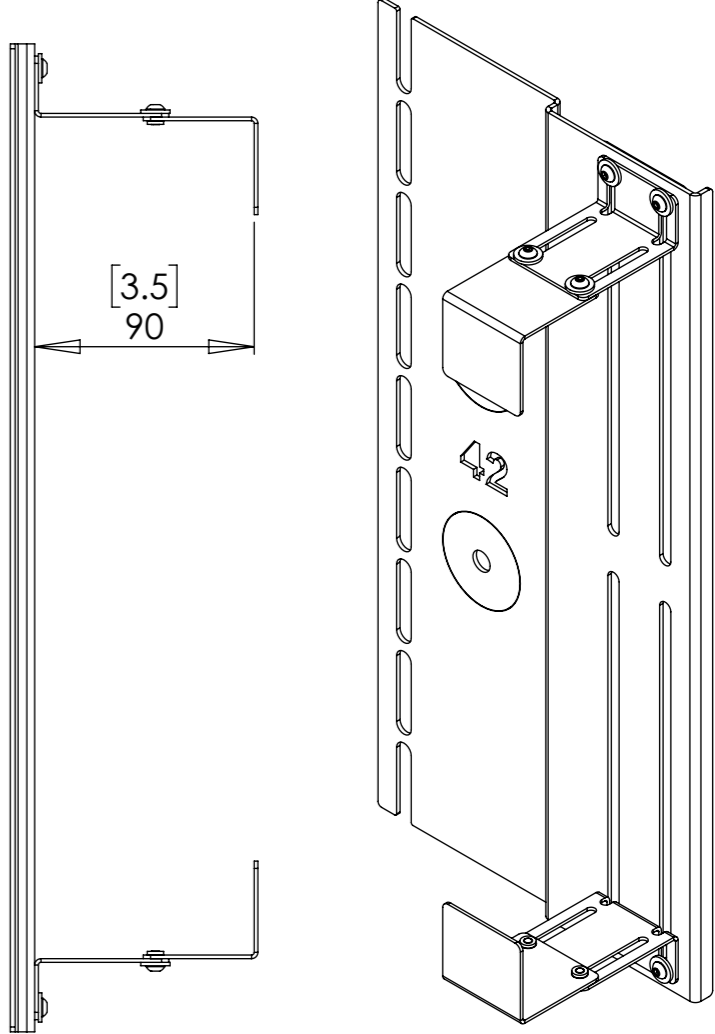
MIN DEPTH - CLAMP PLATE ROTATED



MAX DEPTH - SMALL SLIDE PLATE



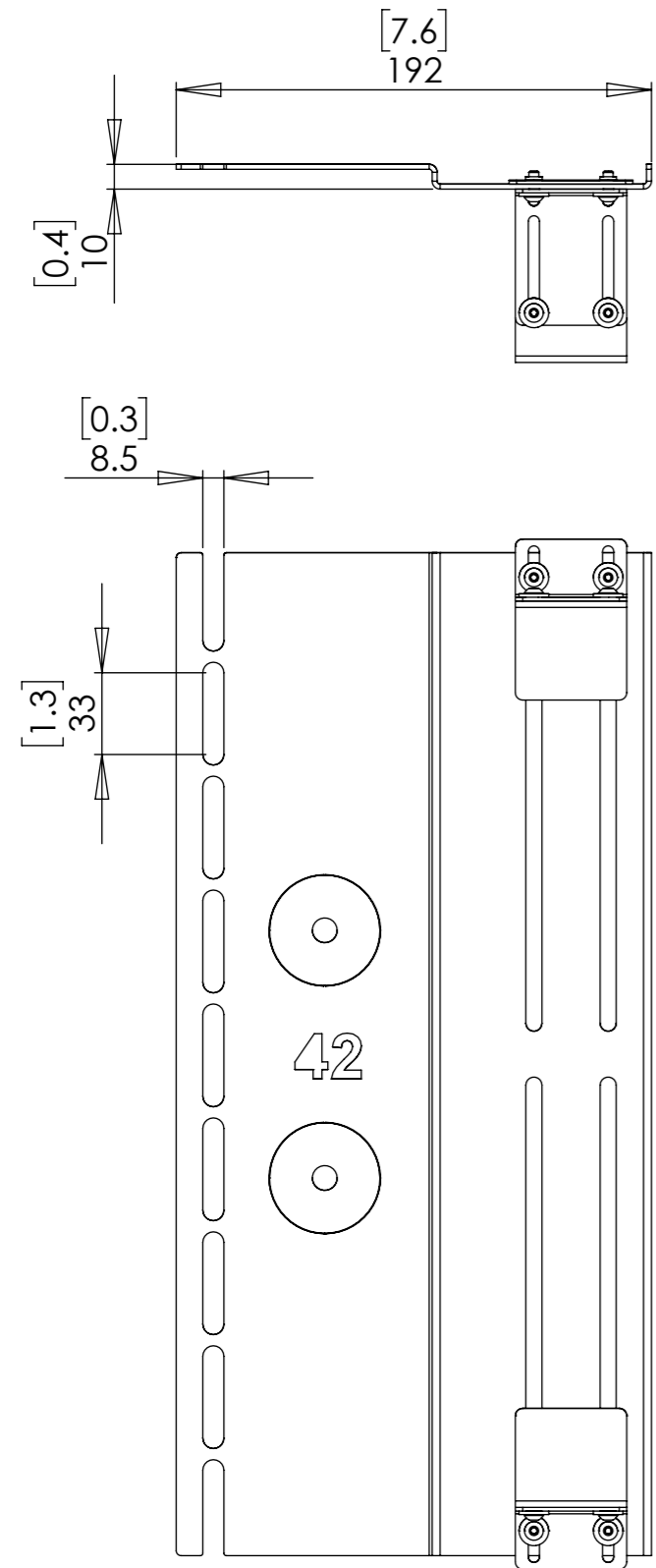
MAX DEPTH- LARGE SLIDE PLATE



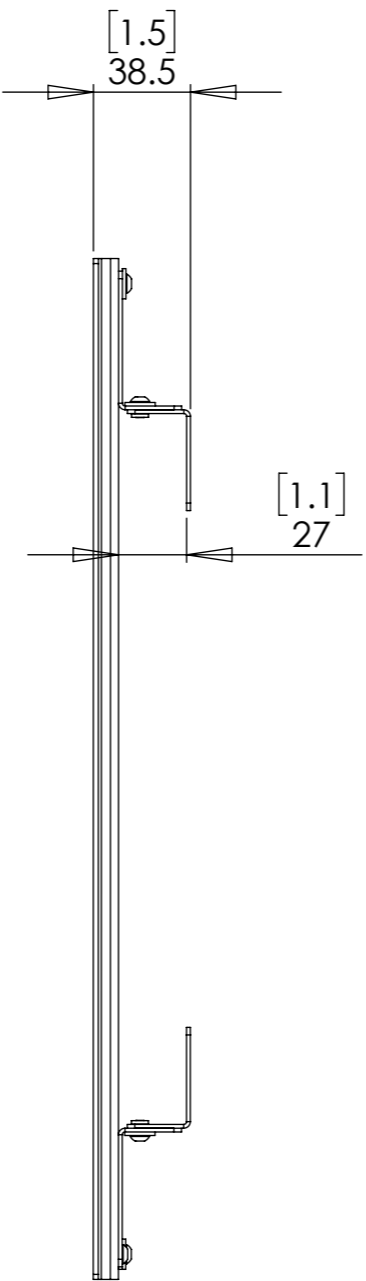
AM1

ACCESSORY MOUNT 1

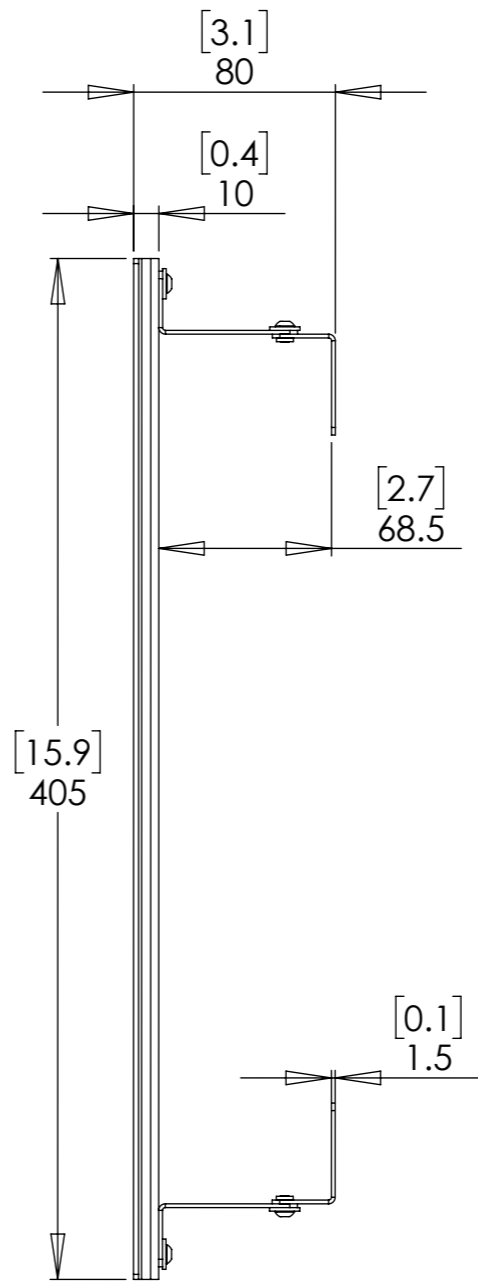
DIMENSIONS



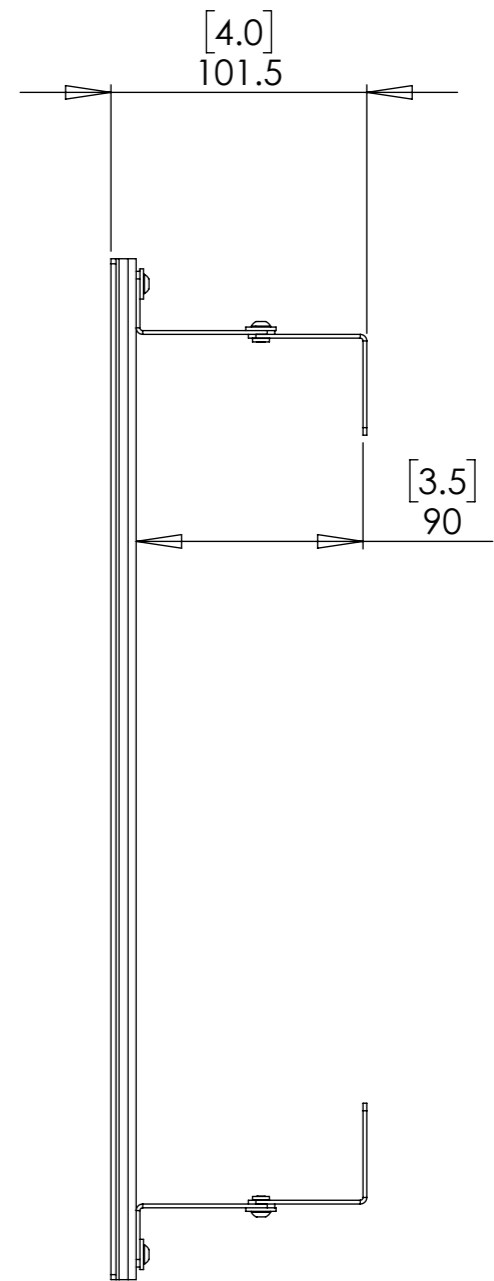
MIN DEPTH



DEFAULT DEPTH

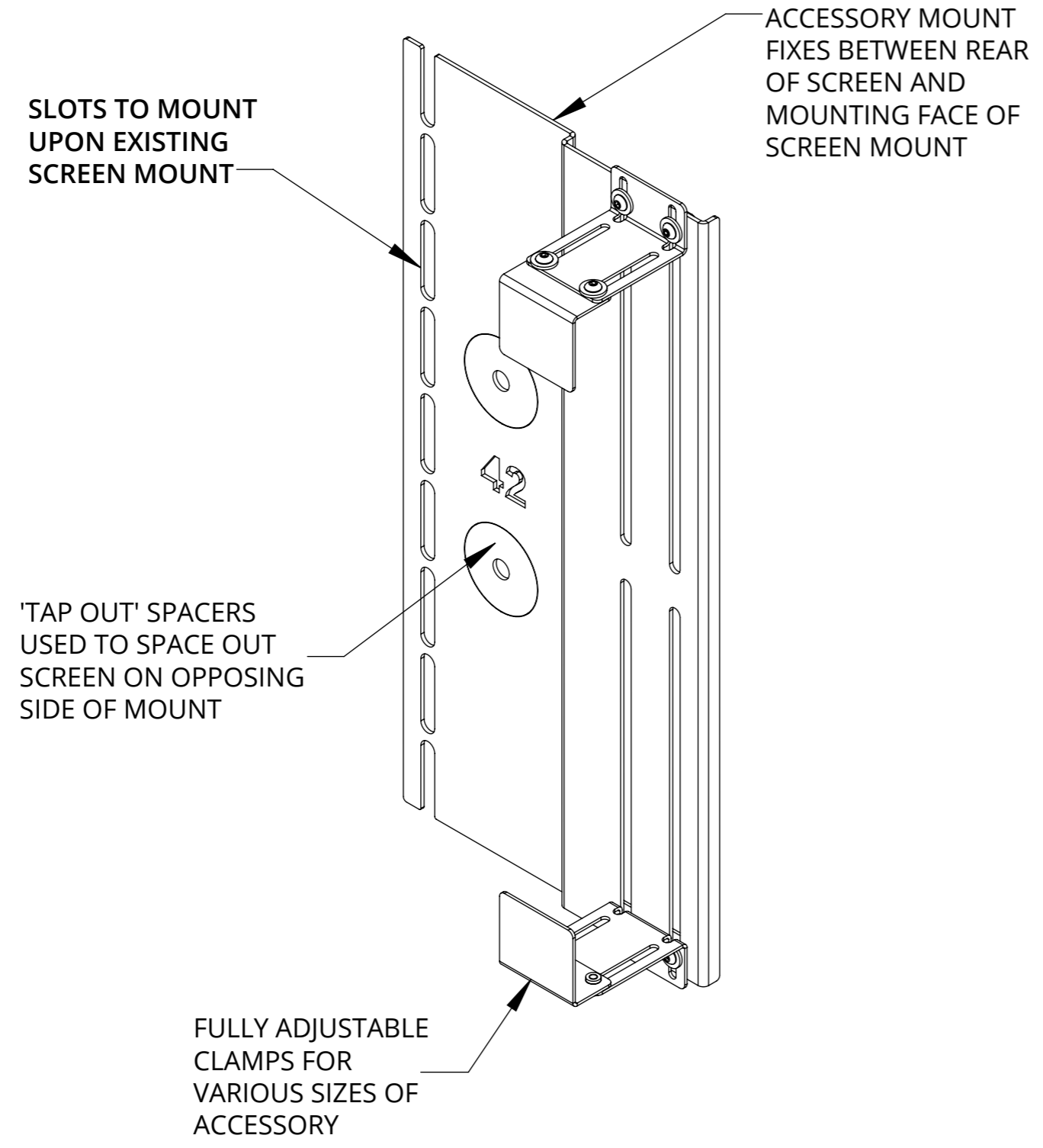


MAX DEPTH

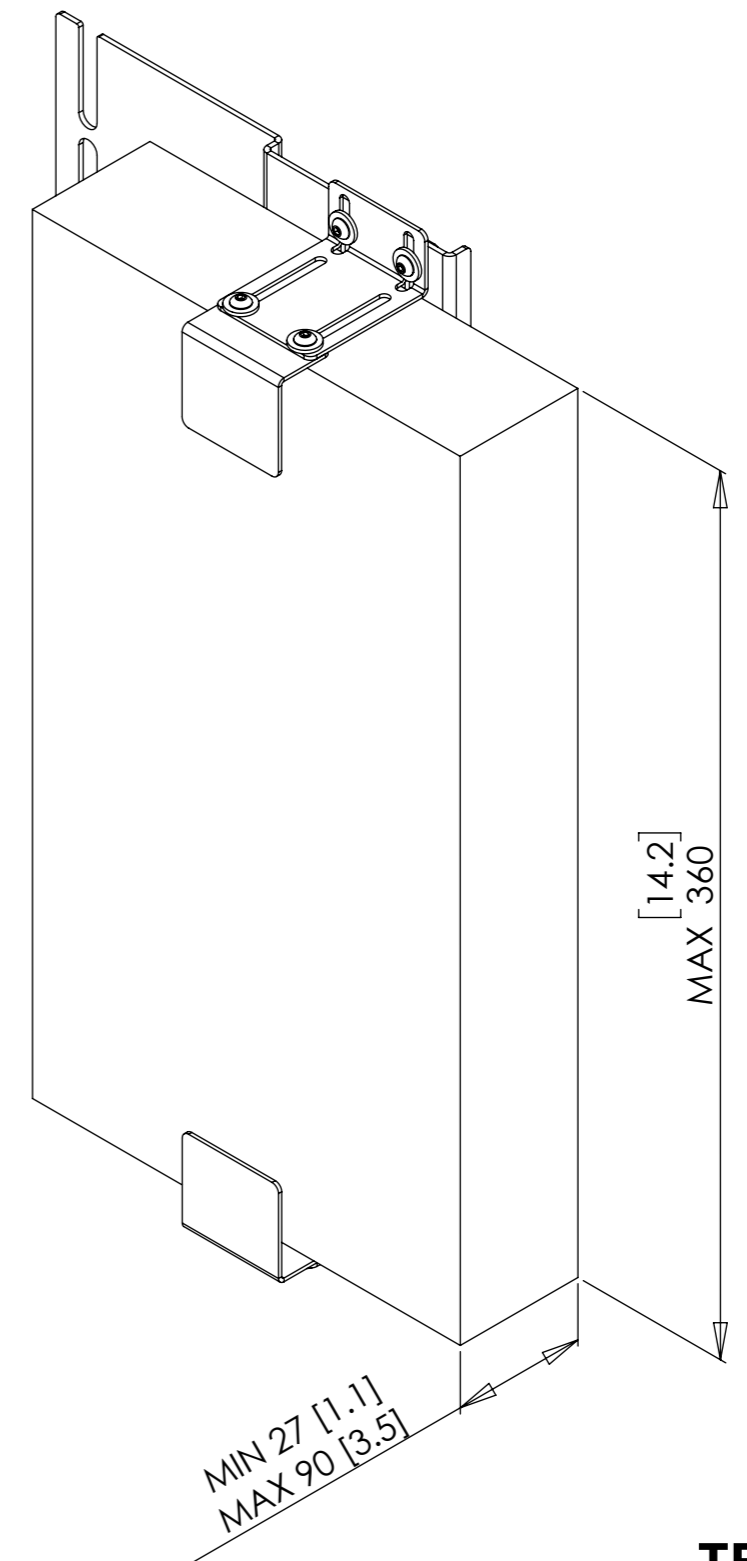


AM1 ACCESSORY MOUNT 1

DETAILS AND ACCESSORY DIMENSIONS

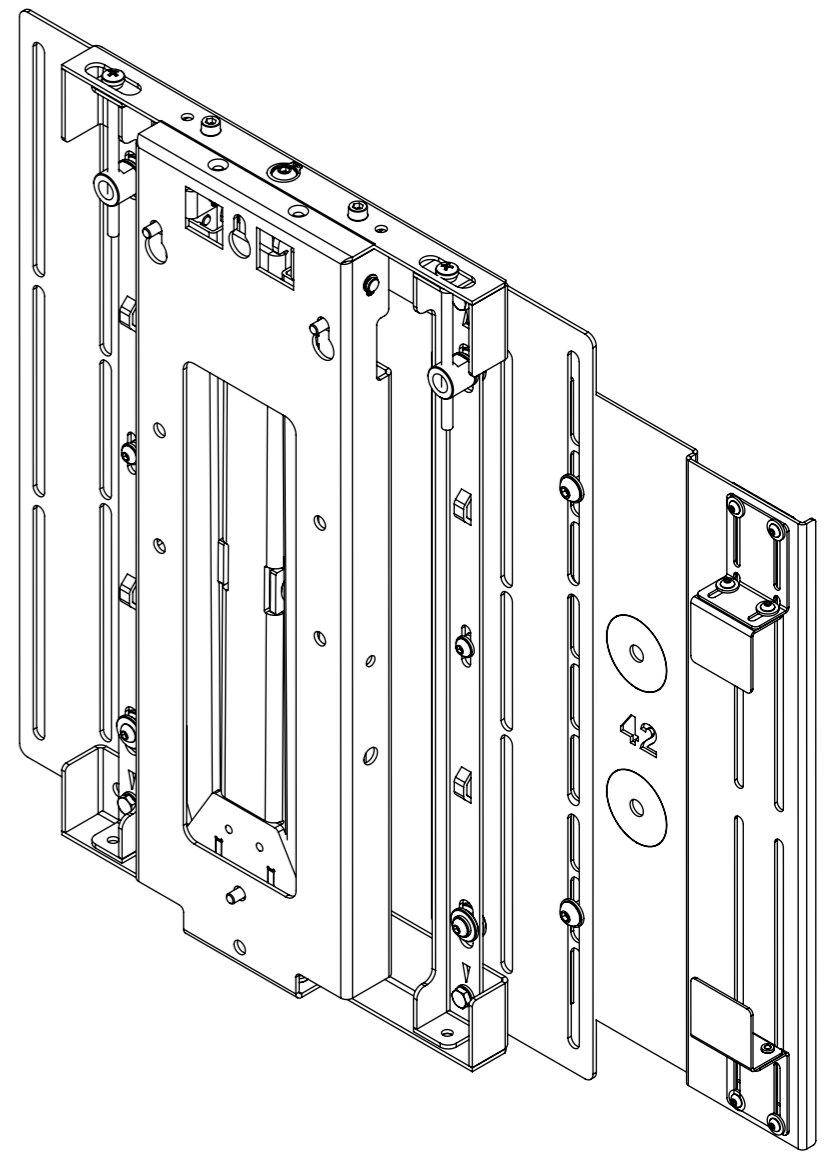
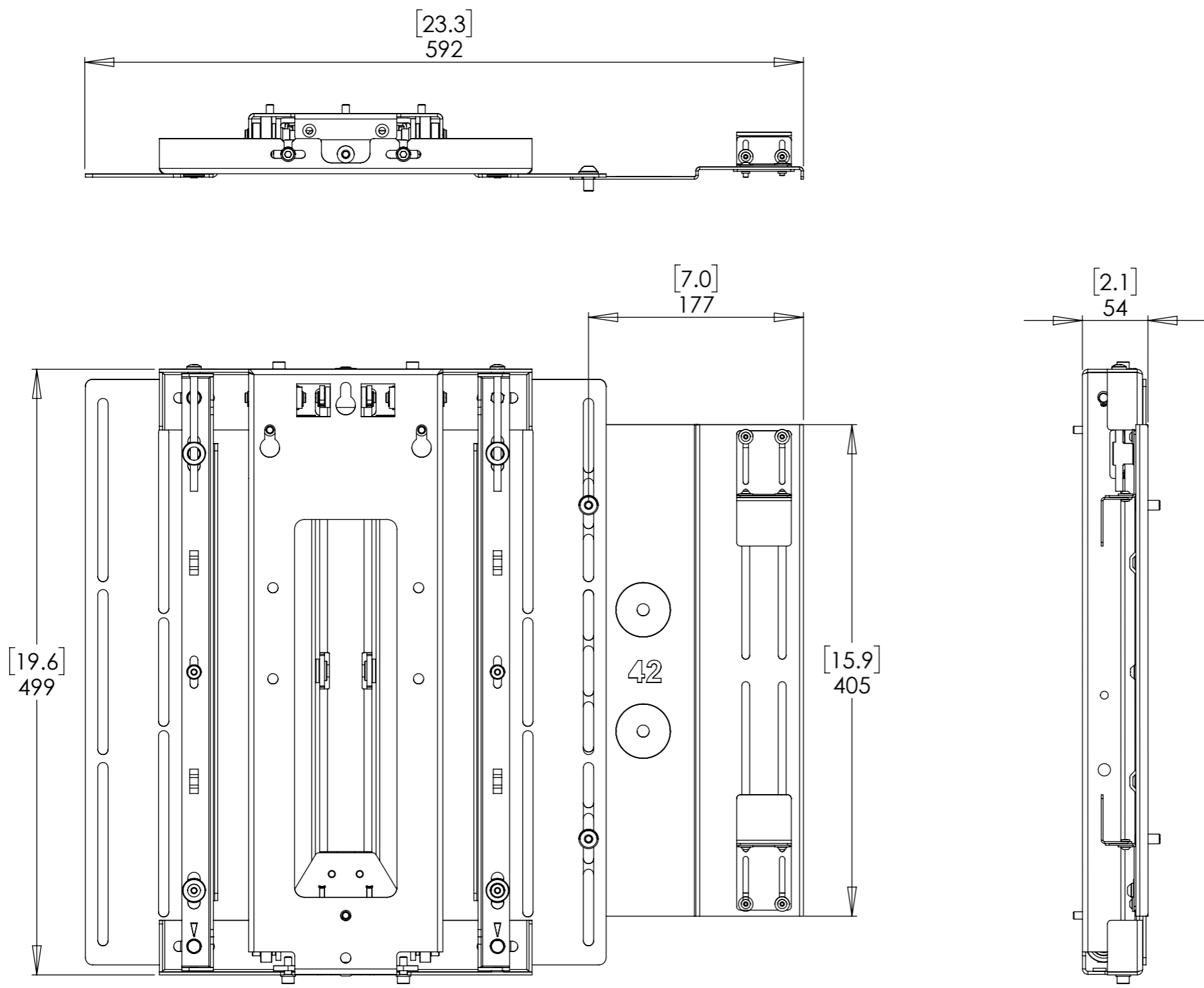


SUITABLE ACCESSORY DIMENSIONS



AM1 ACCESSORY MOUNT 1

DETAILS AND DIMENSIONS WITH PS BRACKET

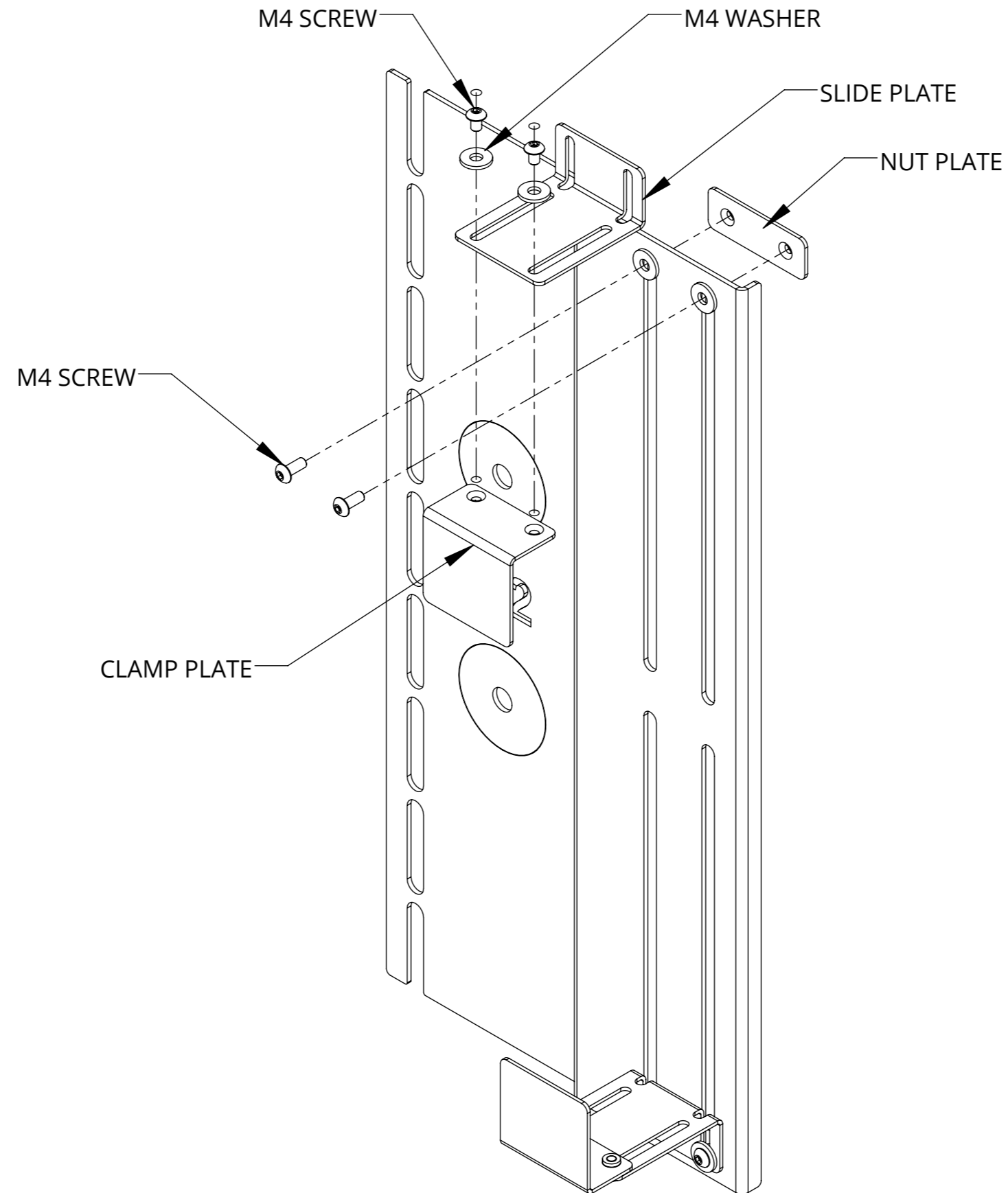


AM1 ACCESSORY MOUNT 1



future automation

SUB ASSEMBLY



AM1 ACCESSORY MOUNT 1

FITTING

