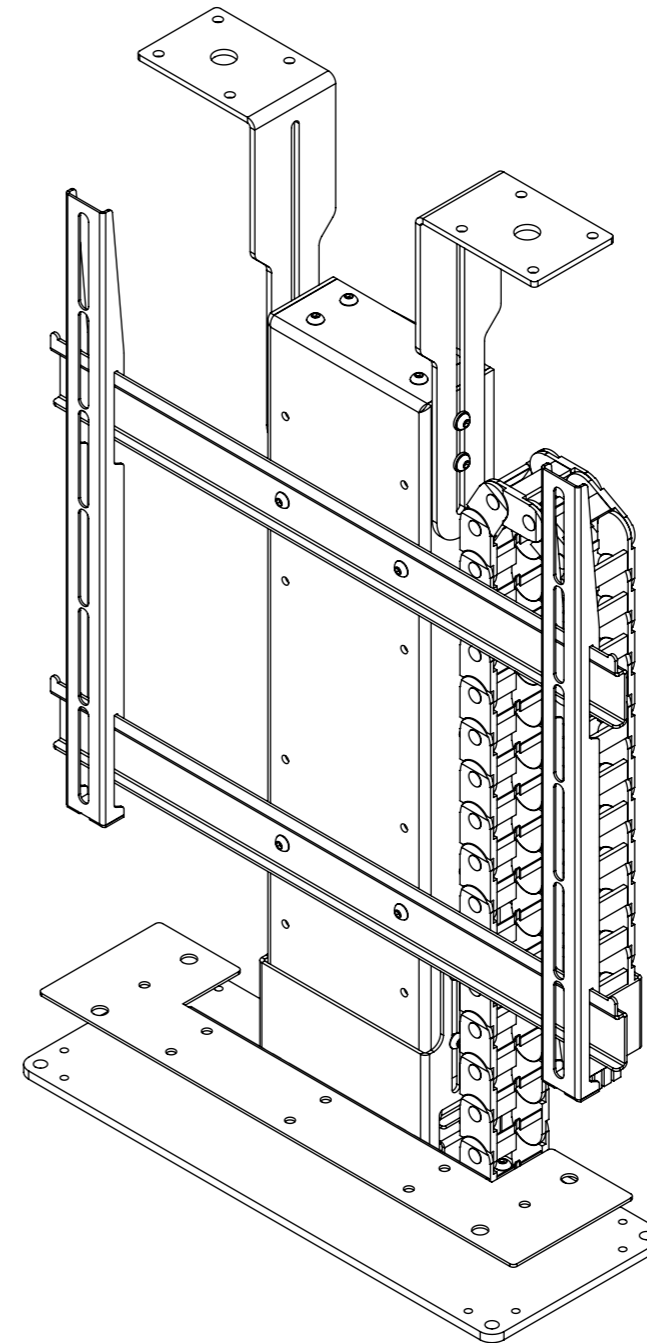
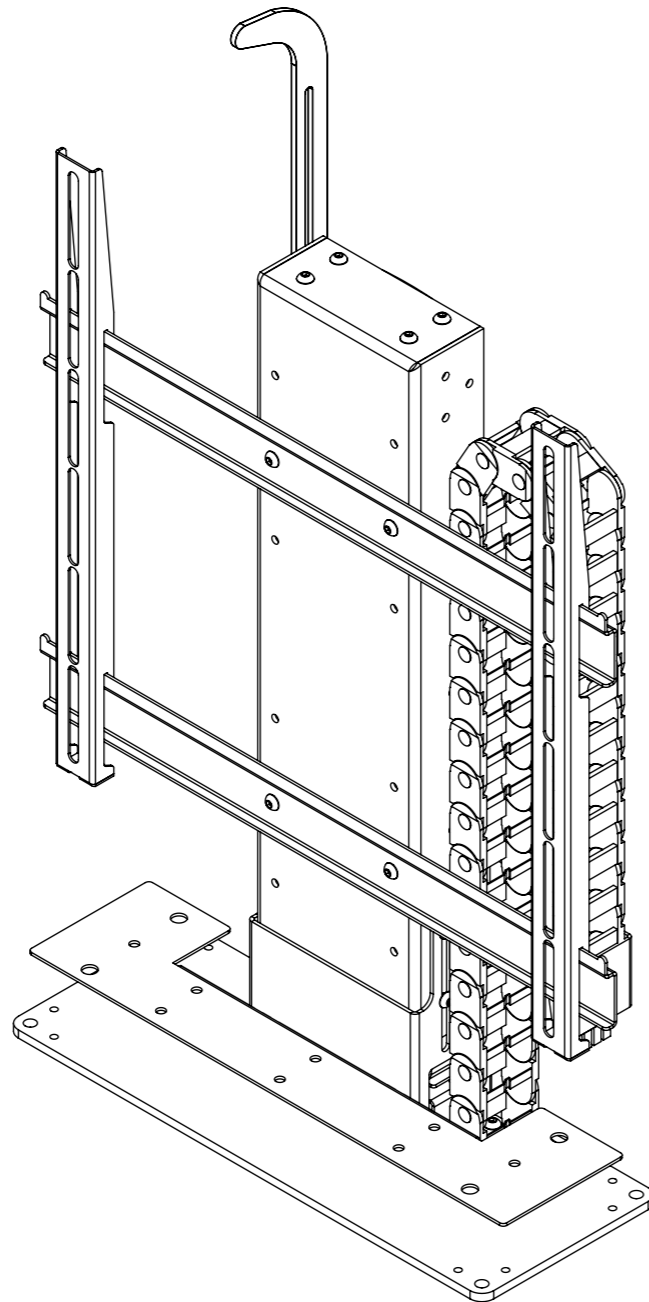


AL675

ACTUATOR LIFT



future automation



AL675

ACTUATOR LIFT



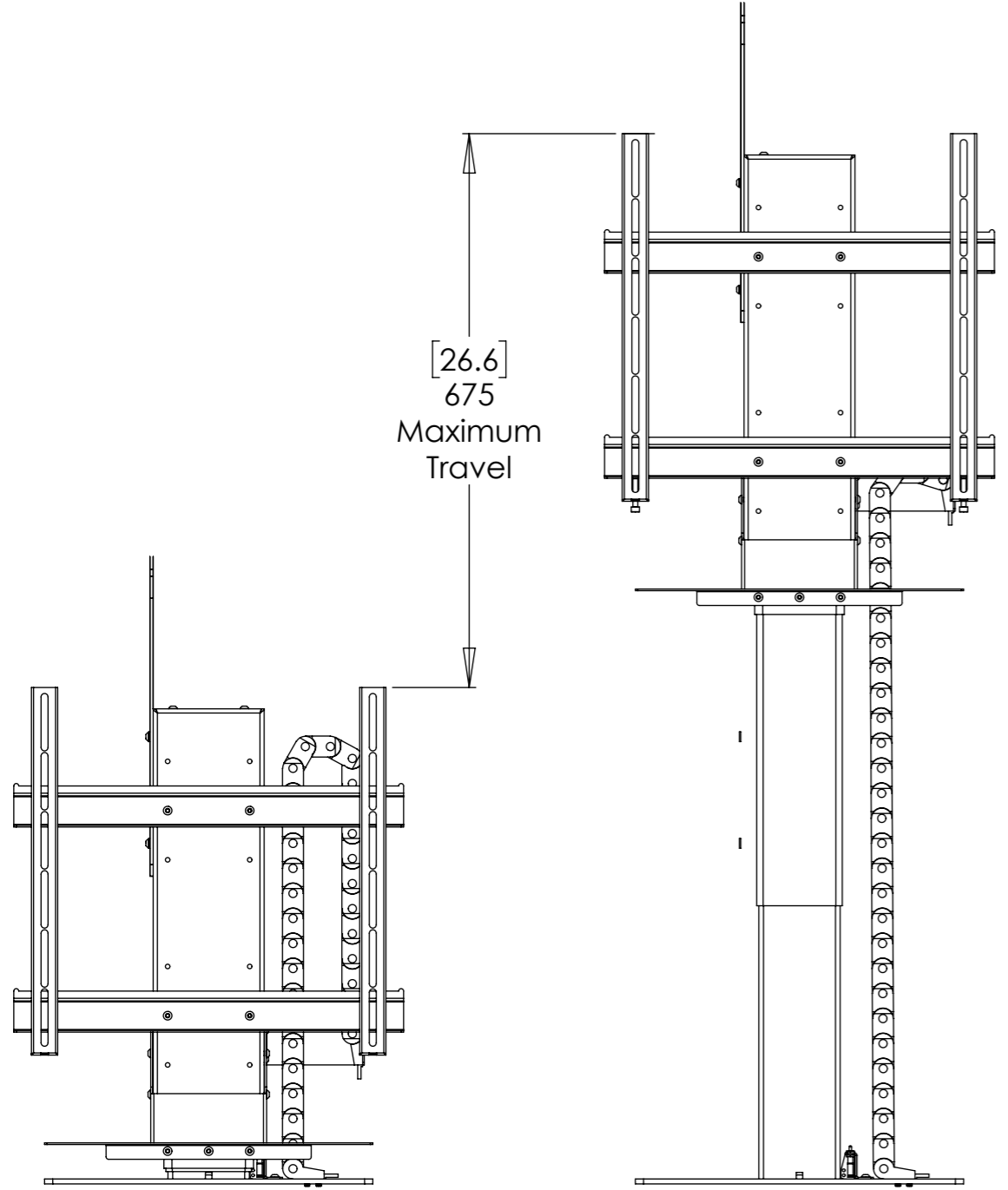
SPECIFICATION	MEASUREMENTS
Product Dimensions	475mm (18.7") x 765mm (30.1") x 150mm (5.9")
Screen Sizes (approx)	32" - 48"
Maximum Screen Height	645mm (25.39")
Maximum Weight Capacity	40Kg (88.2lb)
Maximum Elevation from Down Position	675mm (26.6")
Lid Types Available	Push Flap or Fixed Lid
Product Weight	15Kg (33lb)
Movement Type	Motorised
Packaging Dimensions	730 x 590 x 260mm (28.74 x 23.22 x 10.23")
Shipping Weight	23Kg (51lb)
Power Supply Required	110V - 240V AC
Power Consumption Max.	100W
Power Consumption Standby	3W
Mounting Patterns Supported	VESA 400, 300, 200, 100 W x 400, 300, 200, 100 H
Control Options	IR Remote, RS232, Contact Closure
Product Options / Features	Specific B&O and Loewe mounts / adapters, Custom RAL paint finishes
Package Contents	Mechanism, IR remote control, Hardware for both lid types
Marine Suitable	No

AL675 ACTUATOR LIFT

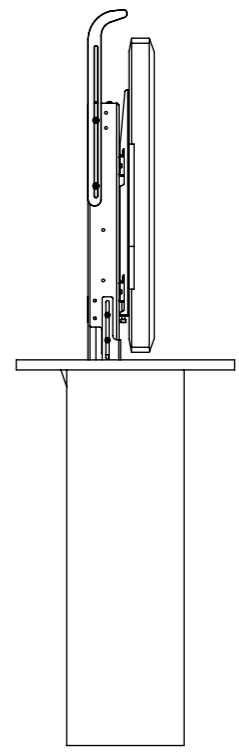
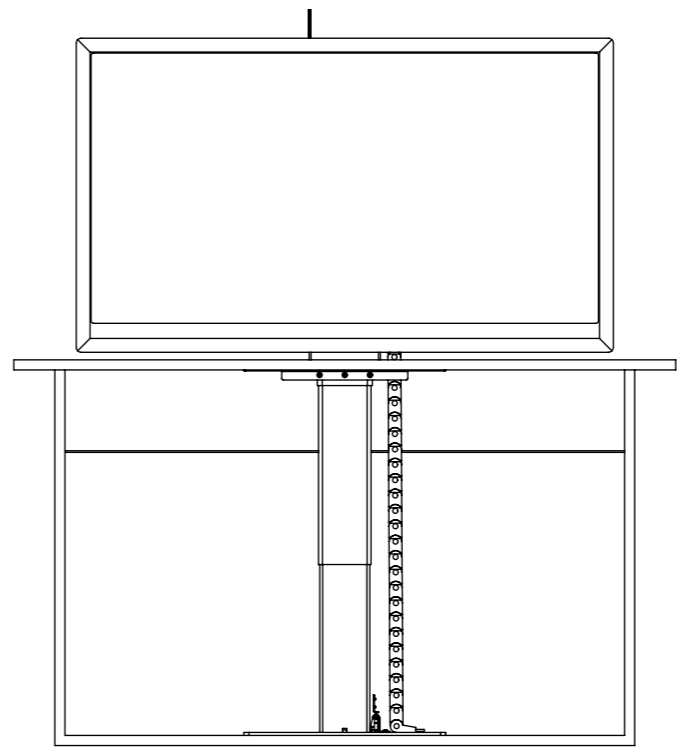


FLAP OPTIONS

Two flap options available for AL675 with hardware for both supplied as standard.

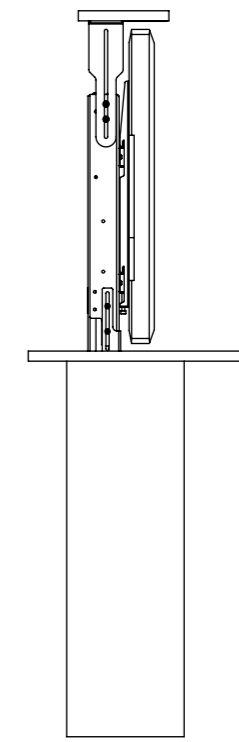
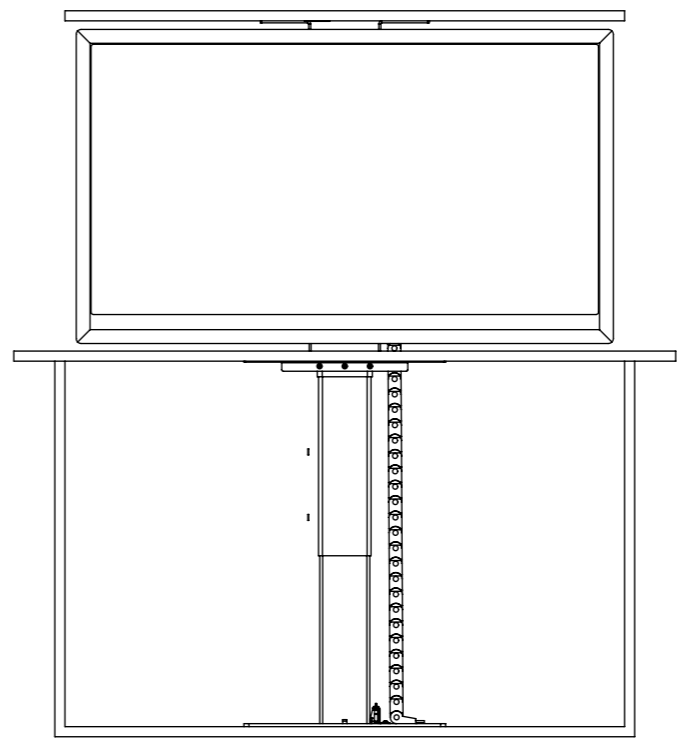


Hinging Push Flap:



As the mechanism begins operation, the Arm pushes the hinged flap backwards to allow the mechanism to move up out of the cabinet.

Fixed Flap:



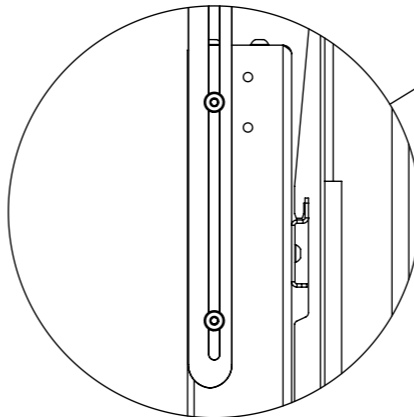
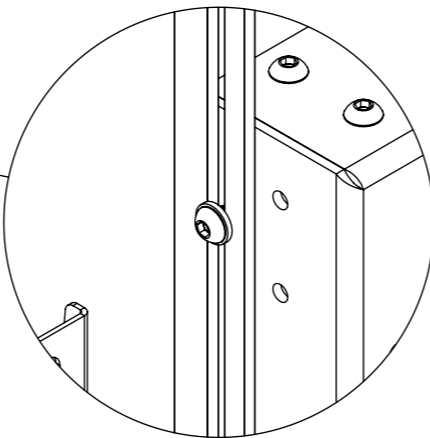
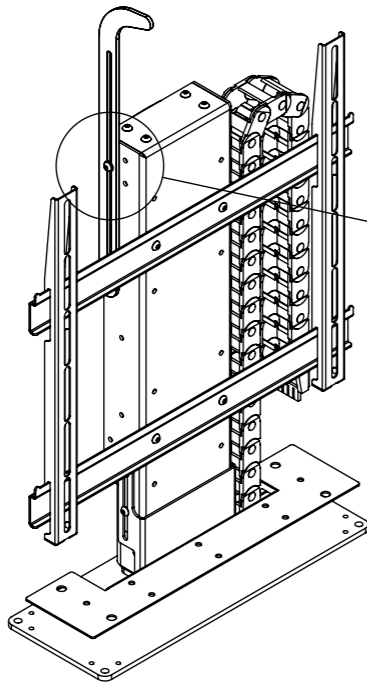
The flap is fixed above the mechanism so both the flap and mechanism move simultaneously in operation.

AL675 ACTUATOR LIFT

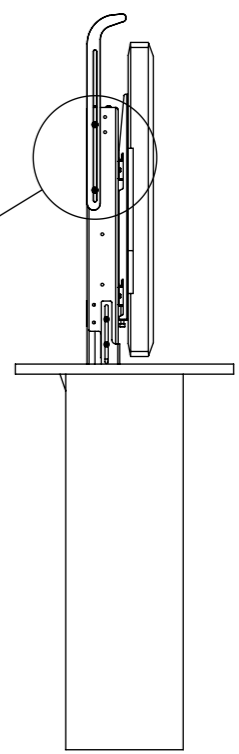
FLAP OPTIONS

The AL675 is supplied with a push flap bracket and fixed flap brackets as standard. Either style brackets can be secured to the central mount column using two M6 bolts.

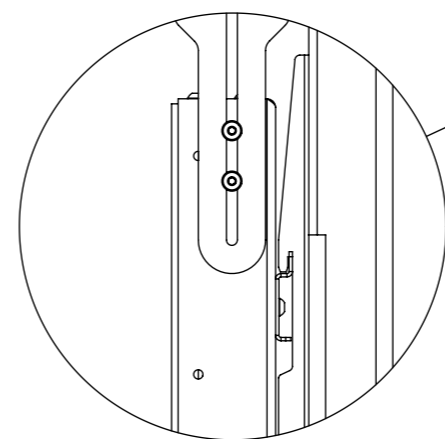
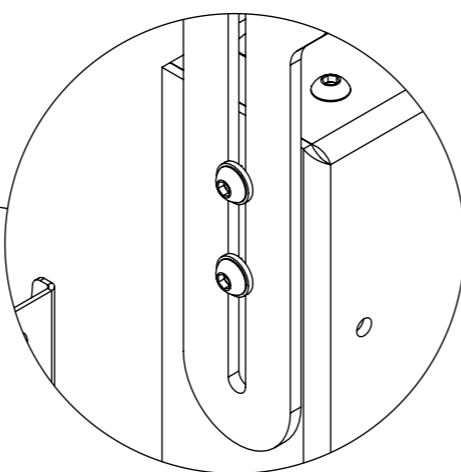
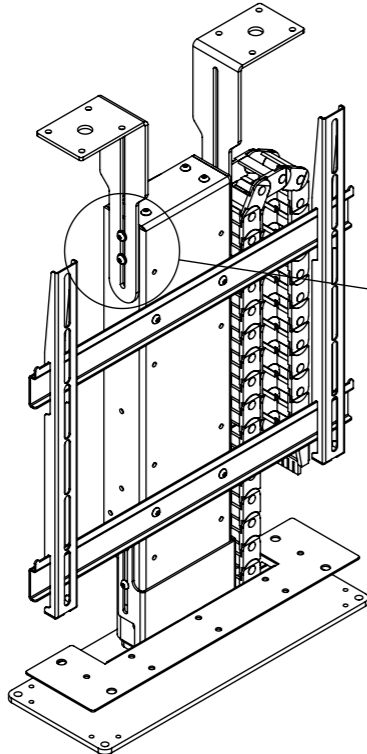
Hinging Push Flap:



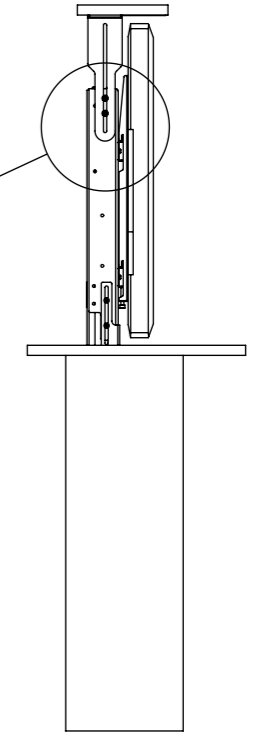
The Push flap plate I fixed to the left hand side using the two rear fixing holes.



Fixed Flap:



The Fixed brackets and installed both sides using the two front fixing holes.



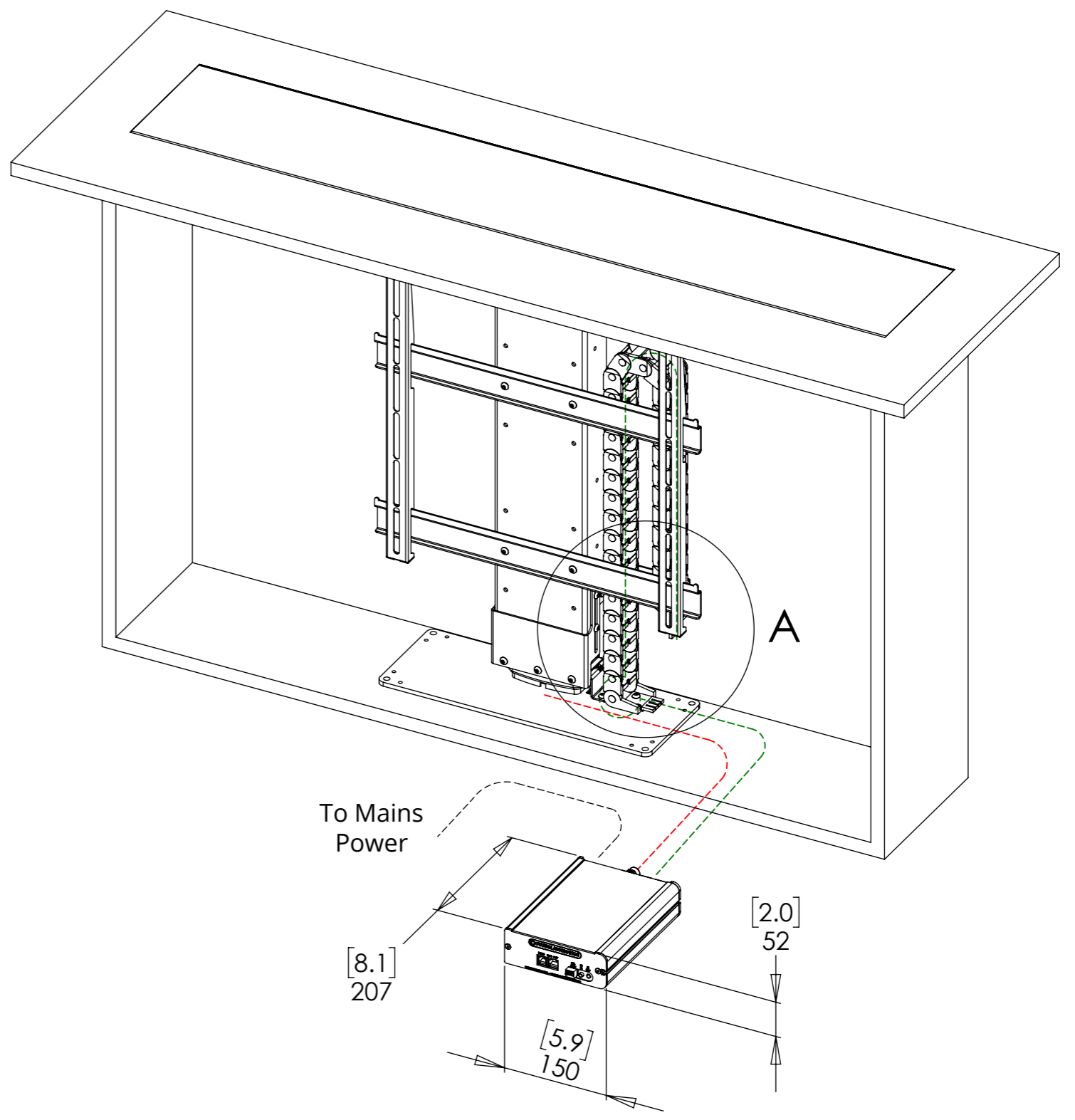
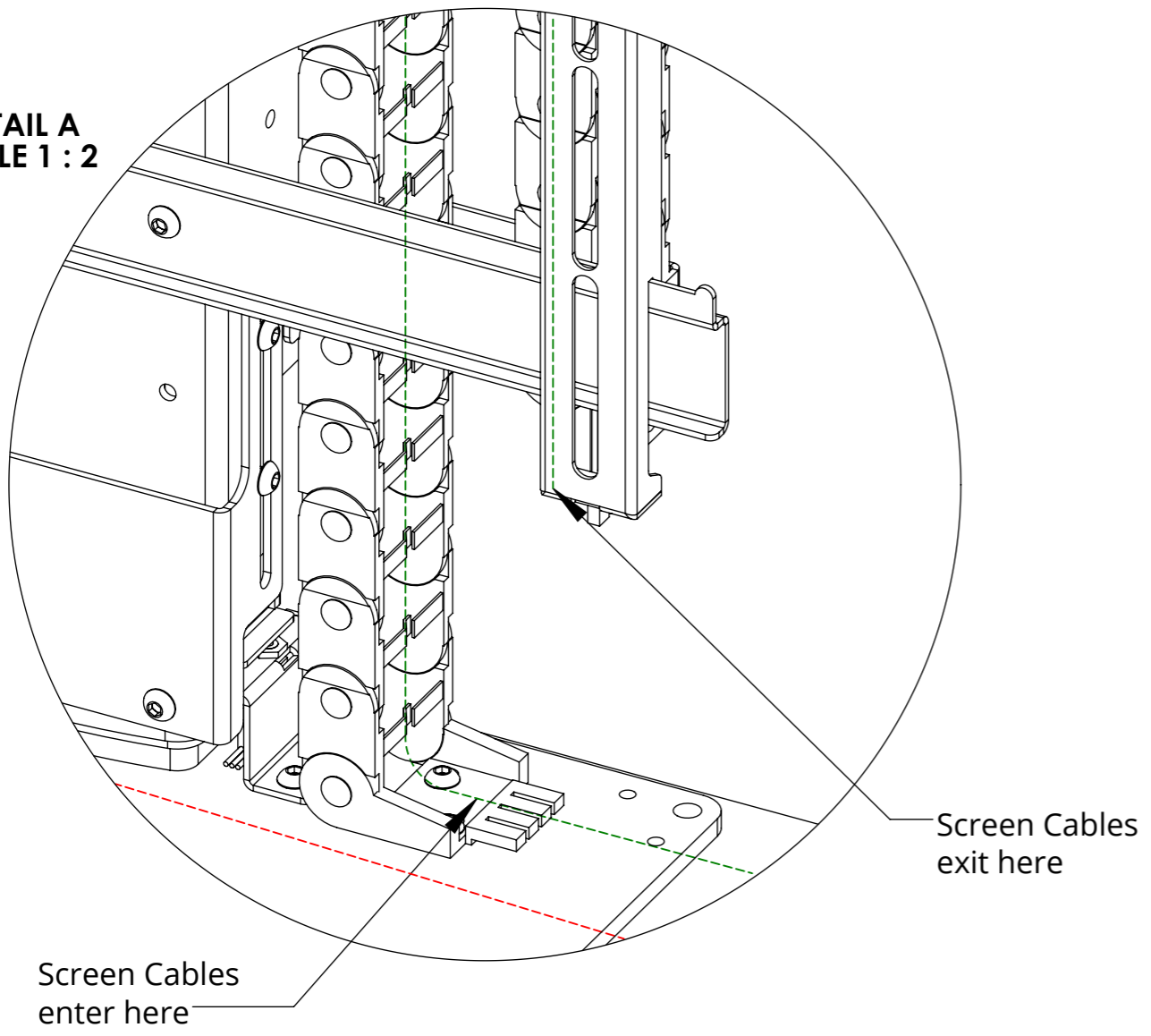
AL675 ACTUATOR LIFT

CABLE MANAGEMENT

The AL675's mounting allows for cables from the screen to be fed through the integrated cable management. This allows the cables to be stowed tidily within the mechanism.

The Mechanism Cable should be routed to the provided control box through a hole in the cabinet. This should be in an easily accessible location.

DETAIL A
SCALE 1 : 2

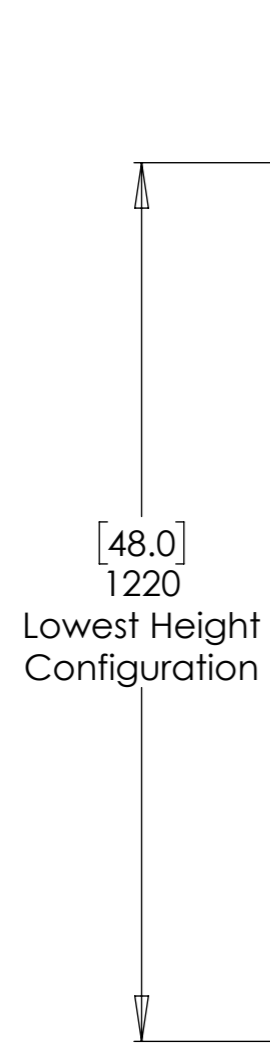
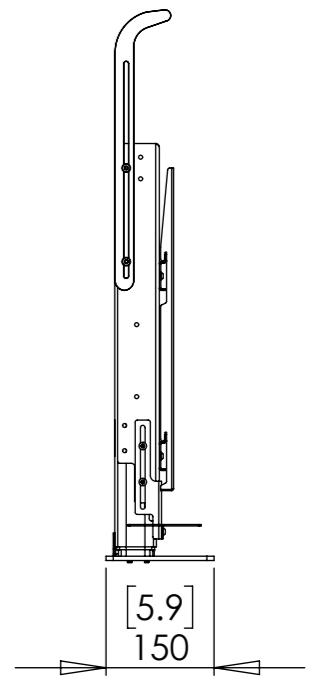
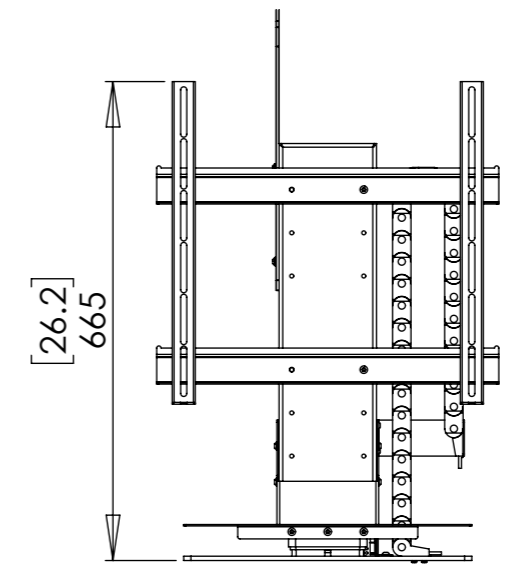
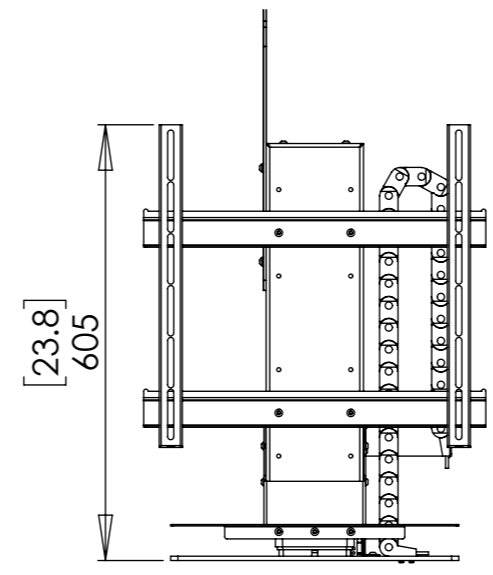
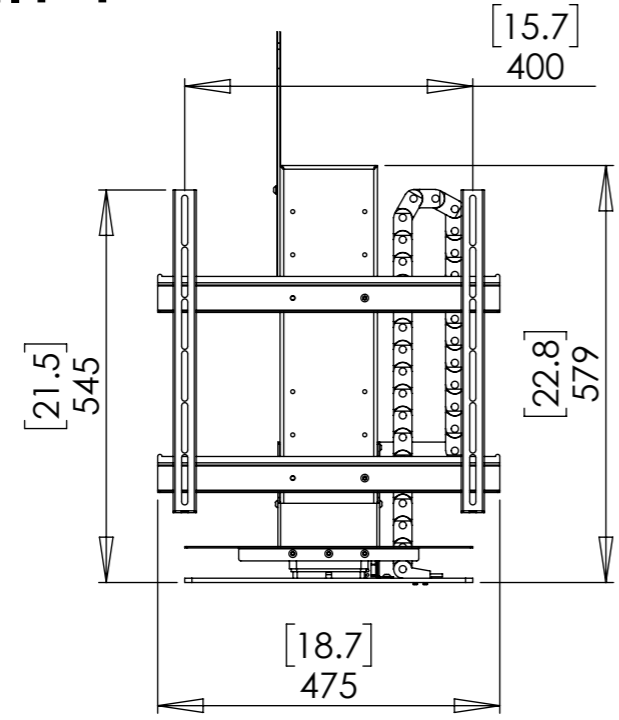


AL675 ACTUATOR LIFT

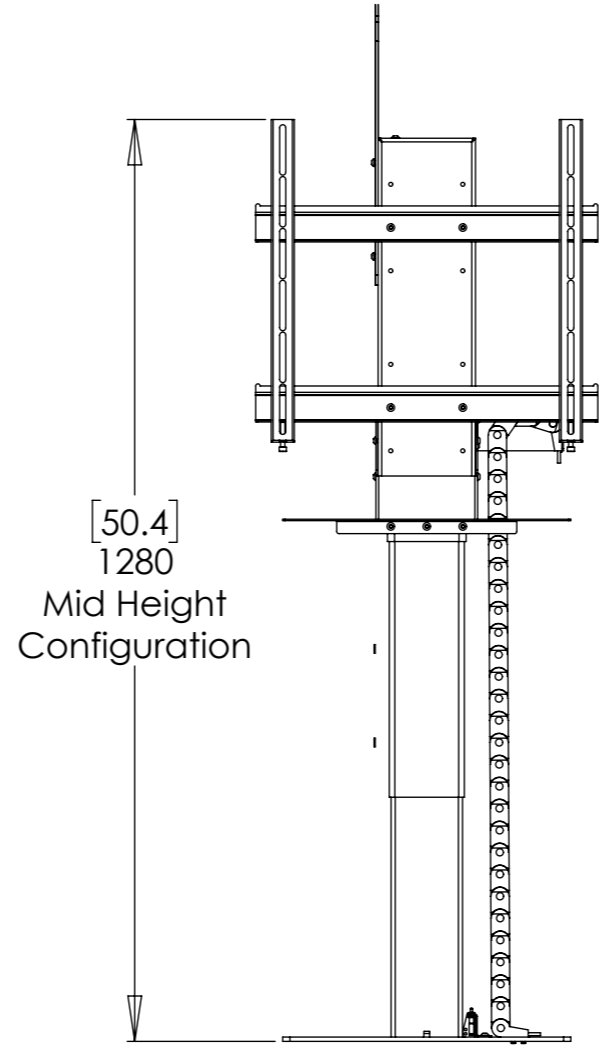
LIFT DIMENSIONS

Three mount heights available:

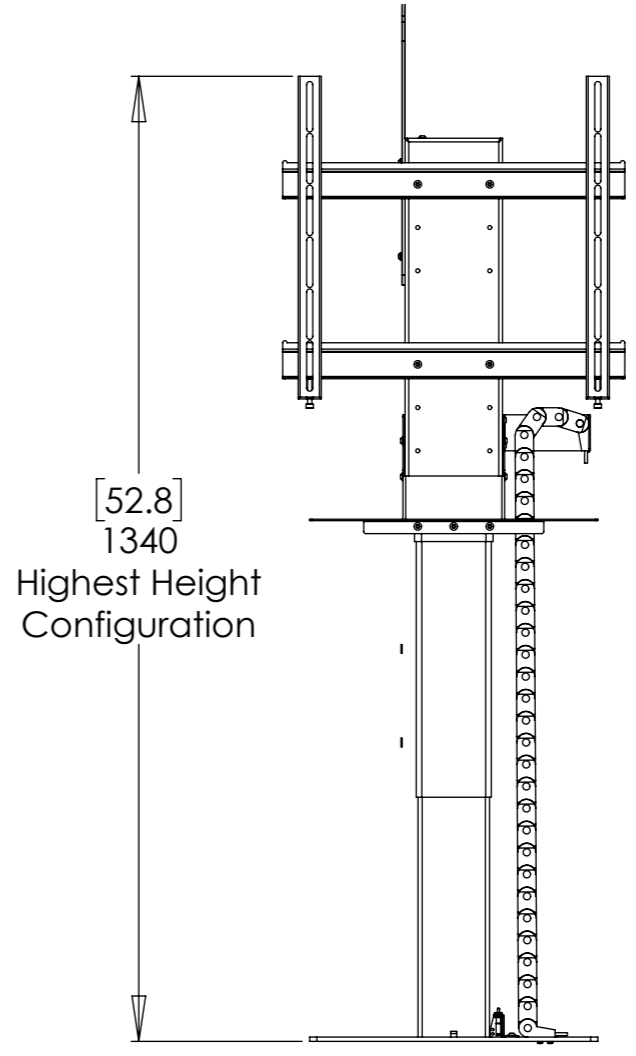
The AL675 allows for screens of size 32-48" with a maximum mounting width of 400mm.



Lowest Height Configuration



Mid Height Configuration

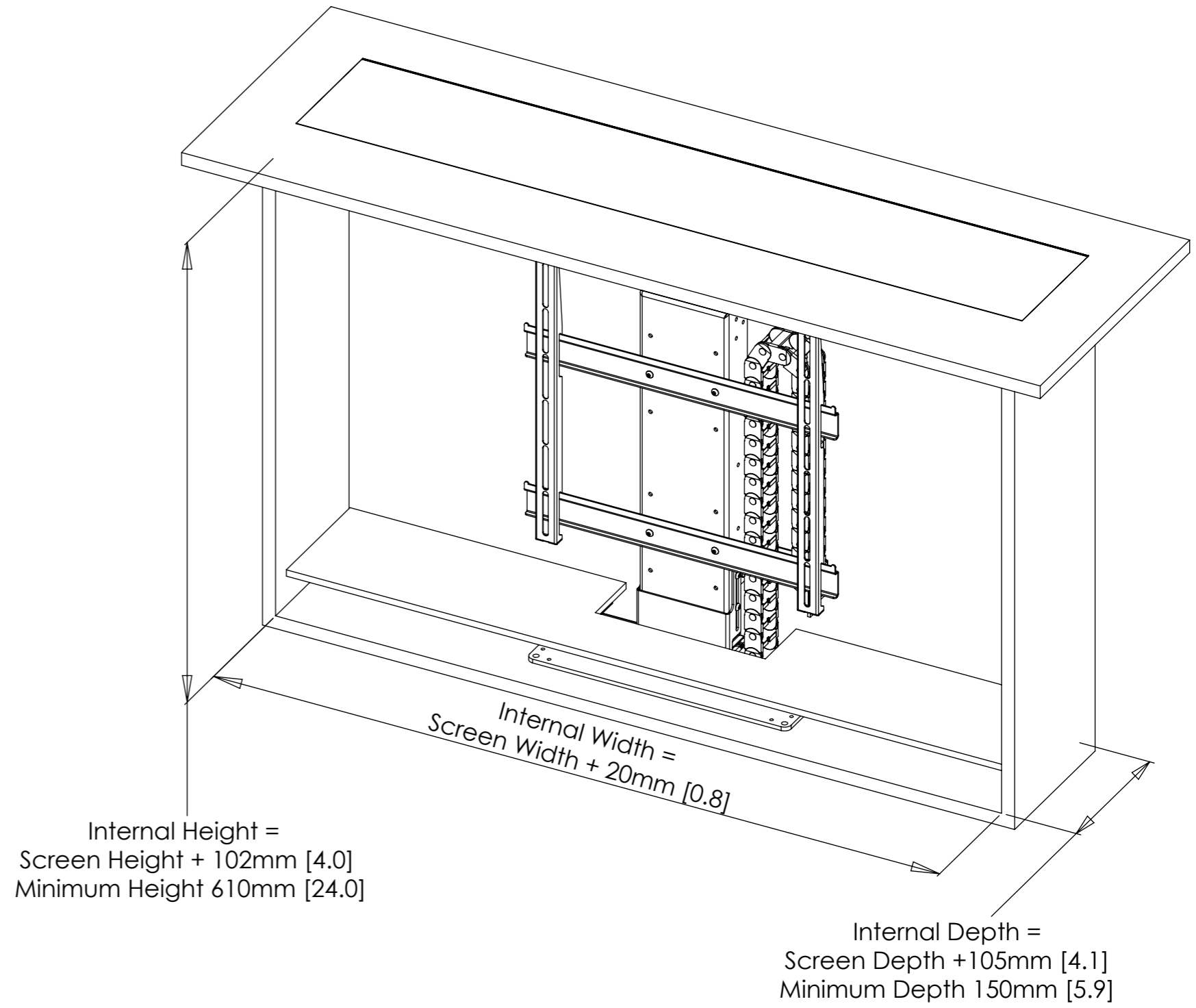
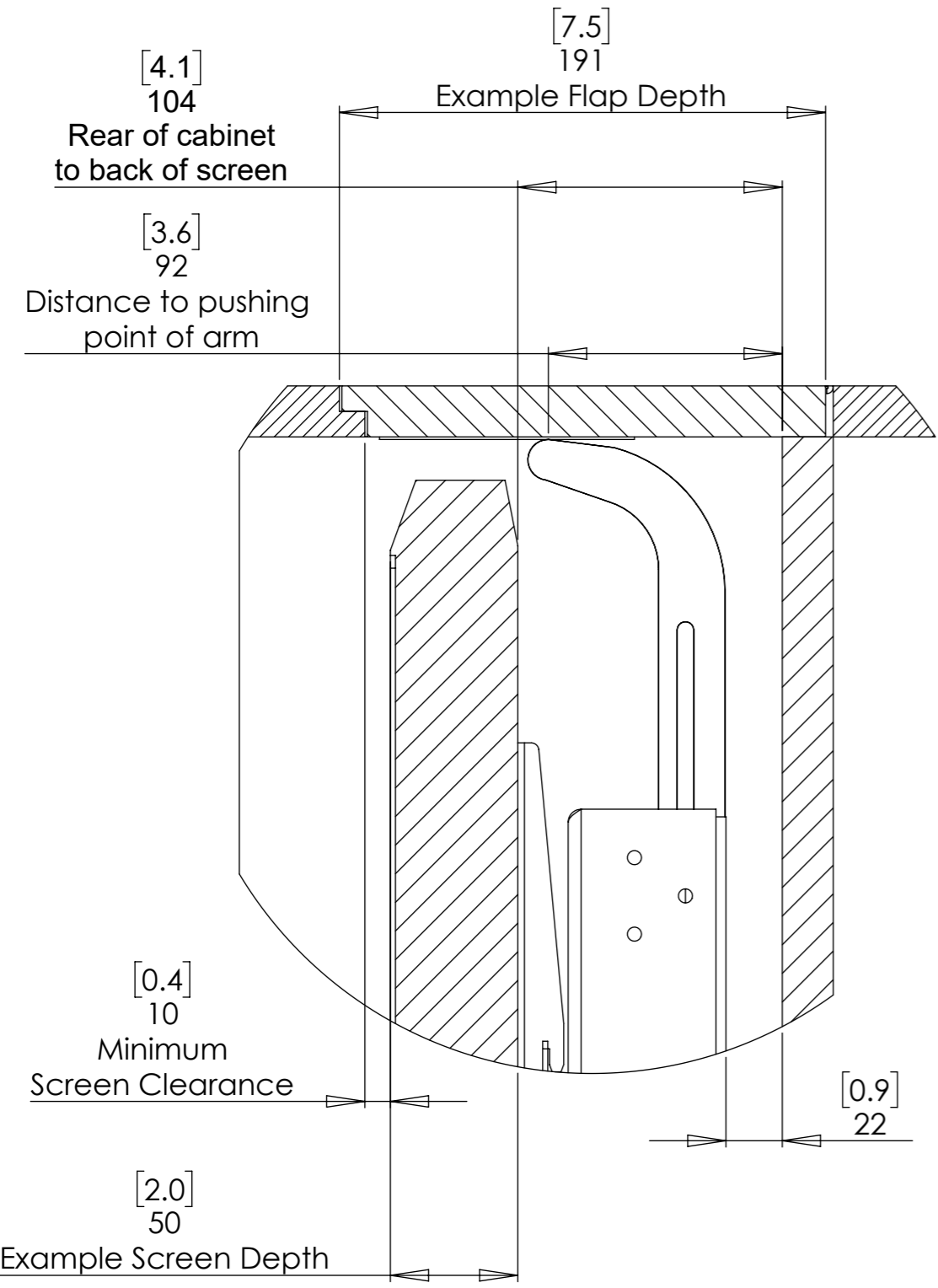


Highest Height Configuration

AL675 ACTUATOR LIFT

CABINET DIMENSION DETAILS

Example shown for 50mm/2" deep screen.



AL675 ACTUATOR LIFT



future automation

BASE DIMENSIONS

