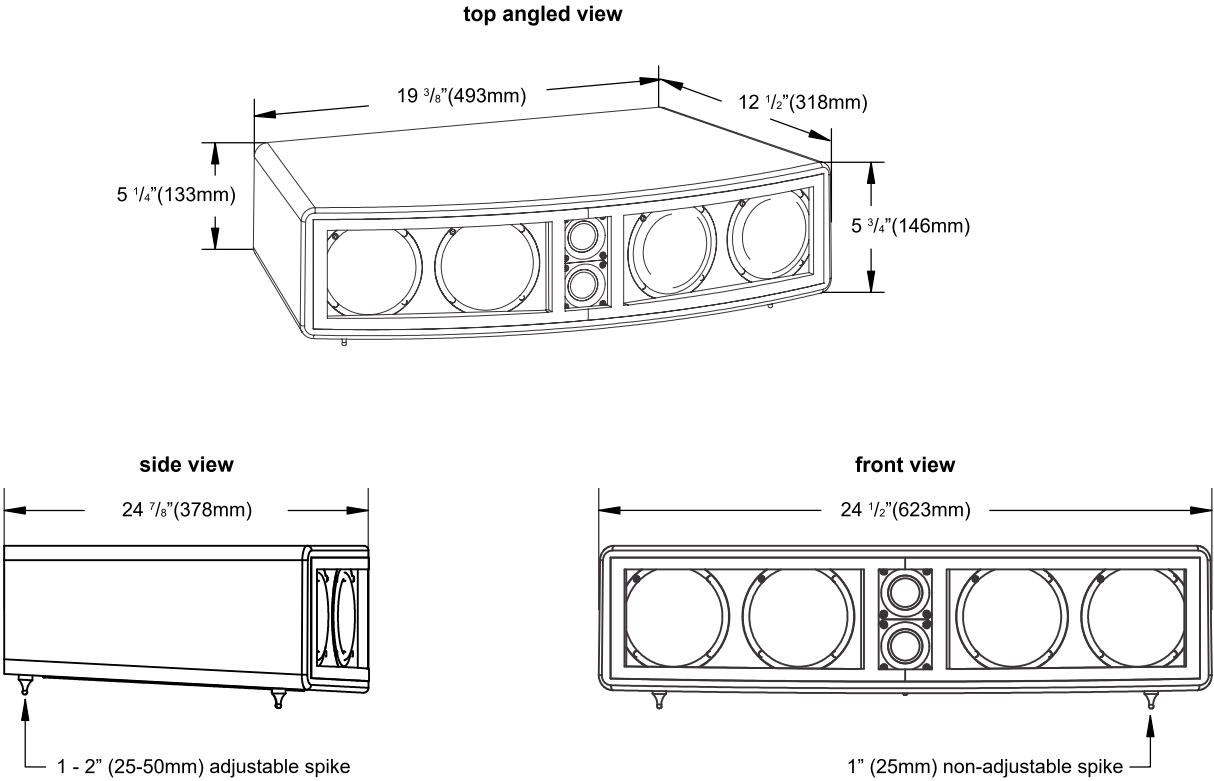


Theia Dimensions and Specifications



Theia Specifications

- Power handling:** 300 Watts
- Nominal Impedance:** 8 Ohms
- Sensitivity:** 89dB+/-3dB
- Frequency:** 20Hz - 35kHz
- Weight:** 22 lbs. / 10 kgs.
- Available finish:** Fine high gloss black piano lacquer