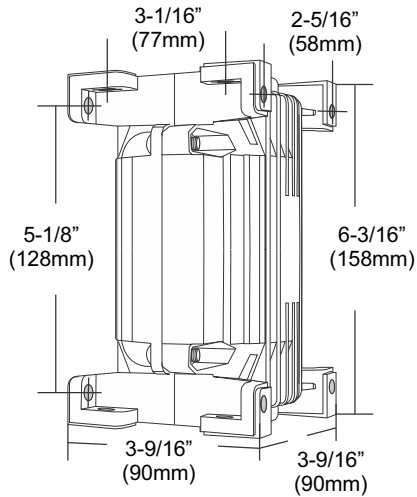
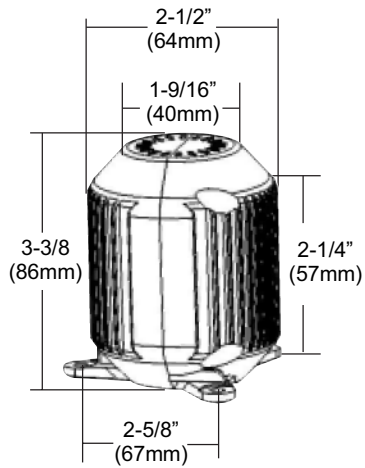
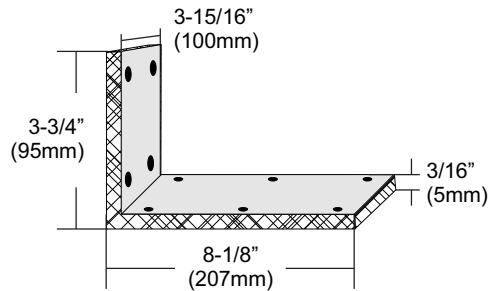


Earthquake® Tactile Transducers Specifications



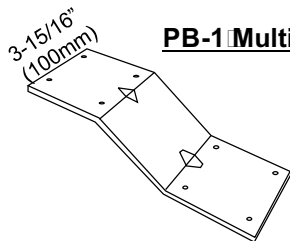
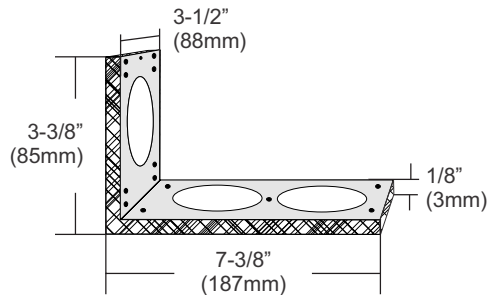
Q10B

Frequency Response: 5-40 Hz
 Nominal Impedance: 8-Ohm
 Power Handling: 40-1000 Watts



MQB-1

Frequency Response: 15-50 Hz
 Nominal Impedance: 8-Ohm
 Power Handling: 20-500 Watts



PB-1 Multiplier (Optional - Sold Separately)

