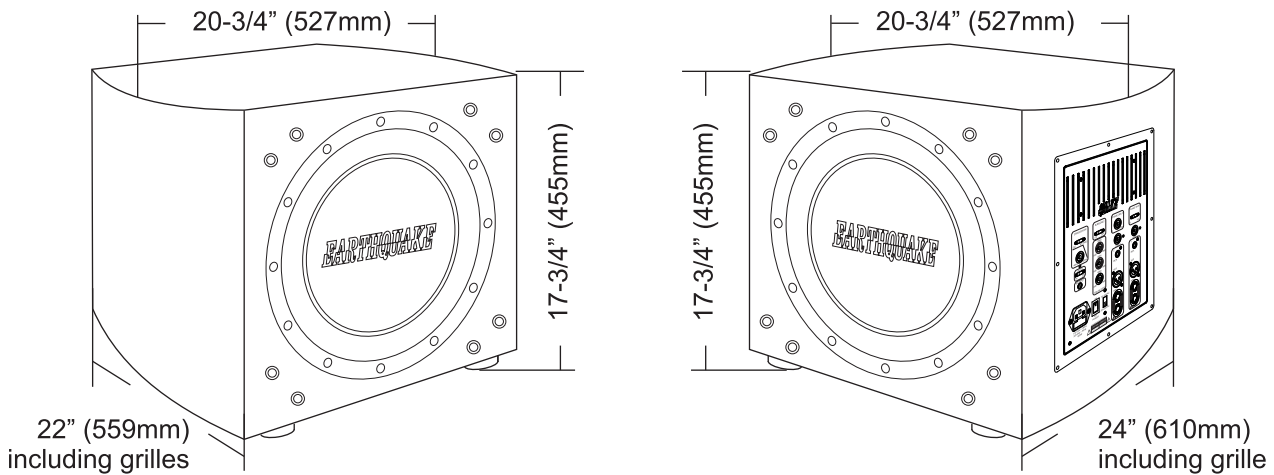


Supernova MKVII-15 Series Dimensions and Specifications



MKVII-15Sealed

MKVII-15P

1200W Peak (600WRMS)

Power Handling

1200W Peak (600WRMS)

18 kOhm

Input Impedance

18 kOhm

14 Hz - 150 Hz

Frequency Response

13 Hz - 150 Hz

Front Firing

Enclosure Type

Ported with Passive Radiator

Piano Black

Available Finishes

Piano Black