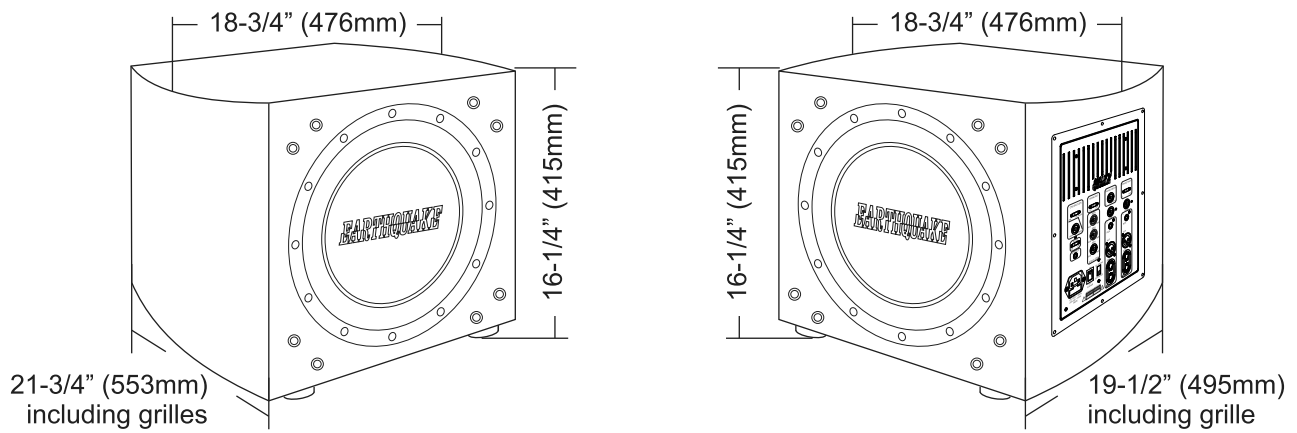


Supernova MKVII-12 Series Dimensions and Specifications



MKVII-12Sealed

1200W Peak (600WRMS)

18 kOhm

15 Hz - 155 Hz

Front Firing

Piano Black

Power Handling

Input Impedance

Frequency Response

Enclosure Type

Available Finishes

MKVII-12P

1200W Peak (600WRMS)

18 kOhm

14 Hz - 155 Hz

Ported with Passive Radiator

Piano Black