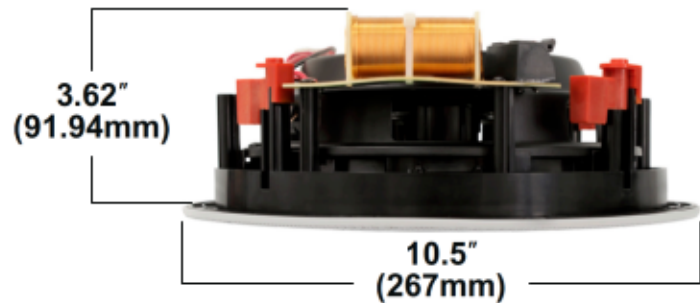
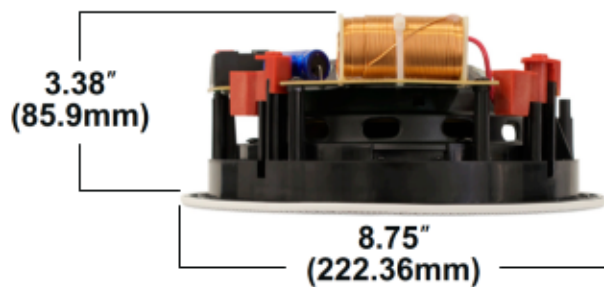


SPECIFICATIONS

MODEL	SUB6	SUB8
Woofer Size	6.5" (165mm)	8" (203mm)
Frequency Response	30Hz-1kHz	30Hz-500Hz
Crossover Frequency	100Hz LP 12dB/Oct	100Hz LP 6dB/Oct
Power Handling	150 Watts MAX	300 Watts MAX
Impedance	8-Ohm	8-Ohm
Sensitivity	86.7dB	86.7dB
Voice Coil Diameter	1" (25mm)	1.5" (38.1mm)
Net Weight	2.46 lbs (1.12kgs)	5.16 lbs (2.34kgs)
Frame Diameter	8.75" (222.36mm)	10.5" (267mm)
Cut Out Diameter	7.75" (196.64mm)	9.5" (240mm)
Grille Diameter	Round 8.71" (221.34mm) Square 7.87" (178mm)	Round 10.62" (270mm) Square 10.75" (274mm)
Mounting Depth	3.38" (85.9mm)	3.62" (91.94mm)
Grille Finish	White/Paintable	White/Paintable
Wire Terminals	Push Type Spring Loaded	Push Type Spring Loaded
Rough-in Kit Compatibility	RK-EC6	RK-EC8



Earthquake Sound Corporation

2727 McCone Avenue, Hayward, CA 94545 • www.earthquakesound.com • 510-732-1000

©2020 Earthquake Sound Corporation. All copyrighted, trademarked, and patented elements mentioned herein are the sole property of Earthquake Sound Corporation.