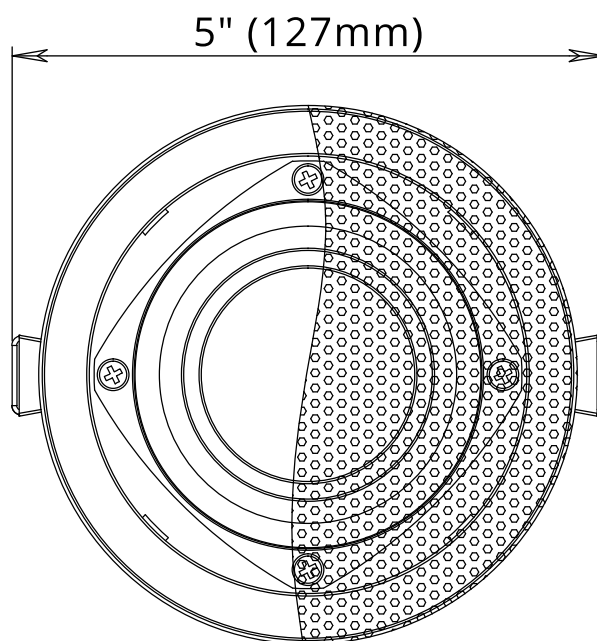
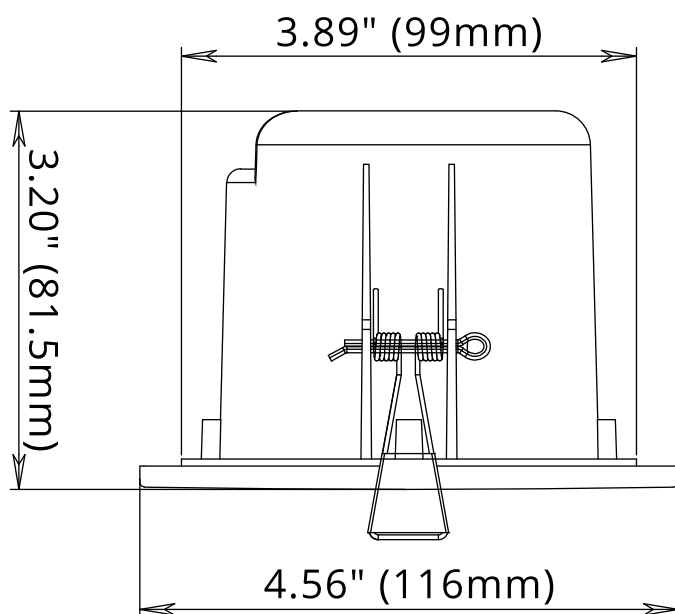


# SPECIFICATIONS

MODEL	ECS 4.0
Full Range	4"
Frequency Response	80Hz-10kHz
Power Handling	50 Watts Max
Sensitivity	84dB
Impedance	8Ω
Voice Coil Diameter	1" (25.2mm)
Cutout Diameter	3.89" (99mm)
Grille Diameter	4.56" (116mm)
Mounting Depth	2.95" (75mm)
Magnet Material	Neodymium
Surround Material	Butyl Rubber



**MSRP: \$159.00/PAIR**

**Earthquake Sound Corporation**

2727 McCone Avenue, Hayward, CA 94545 • [www.earthquakesound.com](http://www.earthquakesound.com) • 510-732-1000

©2020 Earthquake Sound Corporation

All copyrighted, trademarked, and patented elements mentioned herein are the sole property of Earthquake Sound Corporation.