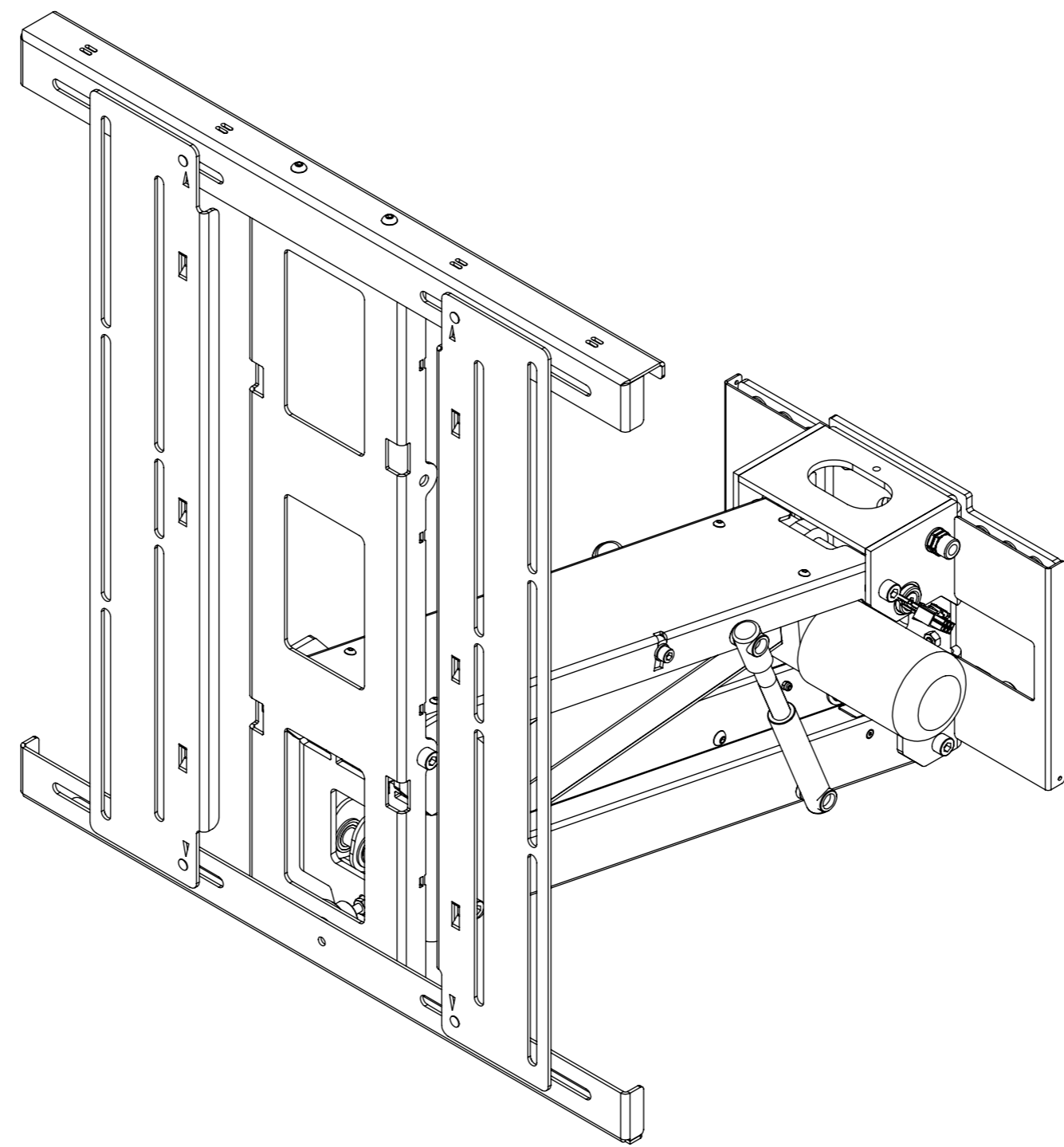


EAL

ELECTRIC ADVANCE & LIFT BRACKET



future automation



EAL

ELECTRIC ADVANCE & LIFT BRACKET



SPECIFICATION	MEASUREMENTS
Screen Sizes (Approx)	50"-80"
Maximum Weight Capacity	60Kg (132lb)
Depth From Wall	140mm (5.5")
Maximum Extension From Wall	557mm (21.9")
Maximum Lift from In Position	537mm (21.1")
Packaging Dimensions	840 x 750 x 270mm (33 x 29.5 x 10.6")
Shipping Weight	25Kg (55lb)
Movement Type	Motorised
Power Supply Required	110V - 240V AC
Power Consumption Max.	120W
Power Consumption Standby	3W
Mounting Patterns Supported	VESA 600, 500, 400, 300, 200, 100 W x 500, 400, 300, 200, 100 H
Control Options	IR Remote, RS232, Contact Closure
Product Options / Features	Specific B&O and Loewe mounts / adapters, Custom RAL paint finishes
Package Contents	Mechanism, IR remote control, Control box
Marine Suitable	No

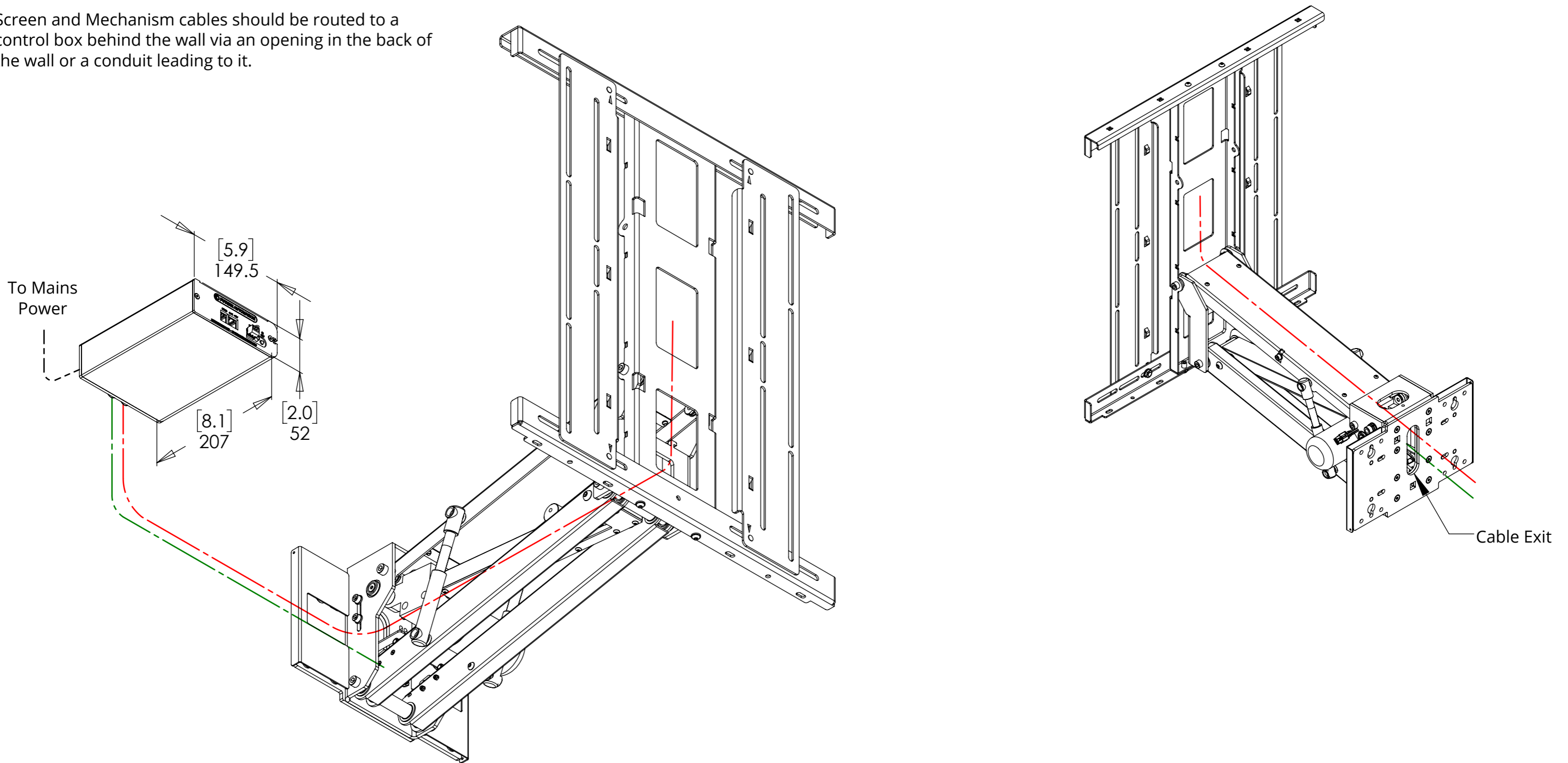
EAL

ELECTRIC ADVANCE & LIFT BRACKET

CABLE ROUTING

The EAL's mounting allows for cables from the screen to be fed through the intergrated cable management. This allows the cables to be stowed tidily within the mechanism.

Screen and Mechanism cables should be routed to a control box behind the wall via an opening in the back of the wall or a conduit leading to it.



EAL ELECTRIC ADVANCE & LIFT BRACKET

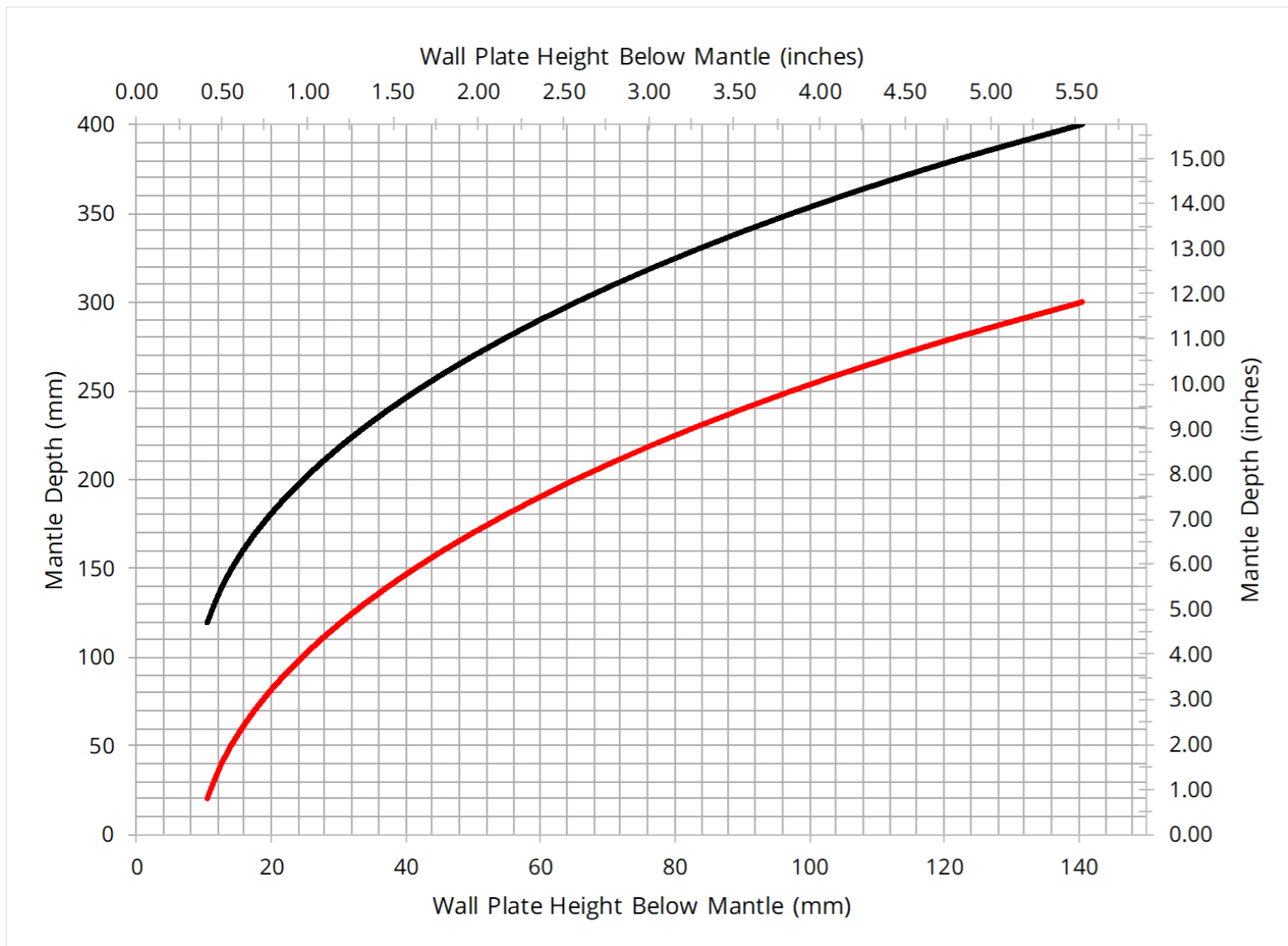
POSITIONING AND MOVEMENT DETAILS

The EAL can clear a 305mm (12") mantle piece with ease when mounted 70mm (2.8") below it.

A screen with height of 690mm (27.2") will be required to cover the mechanism

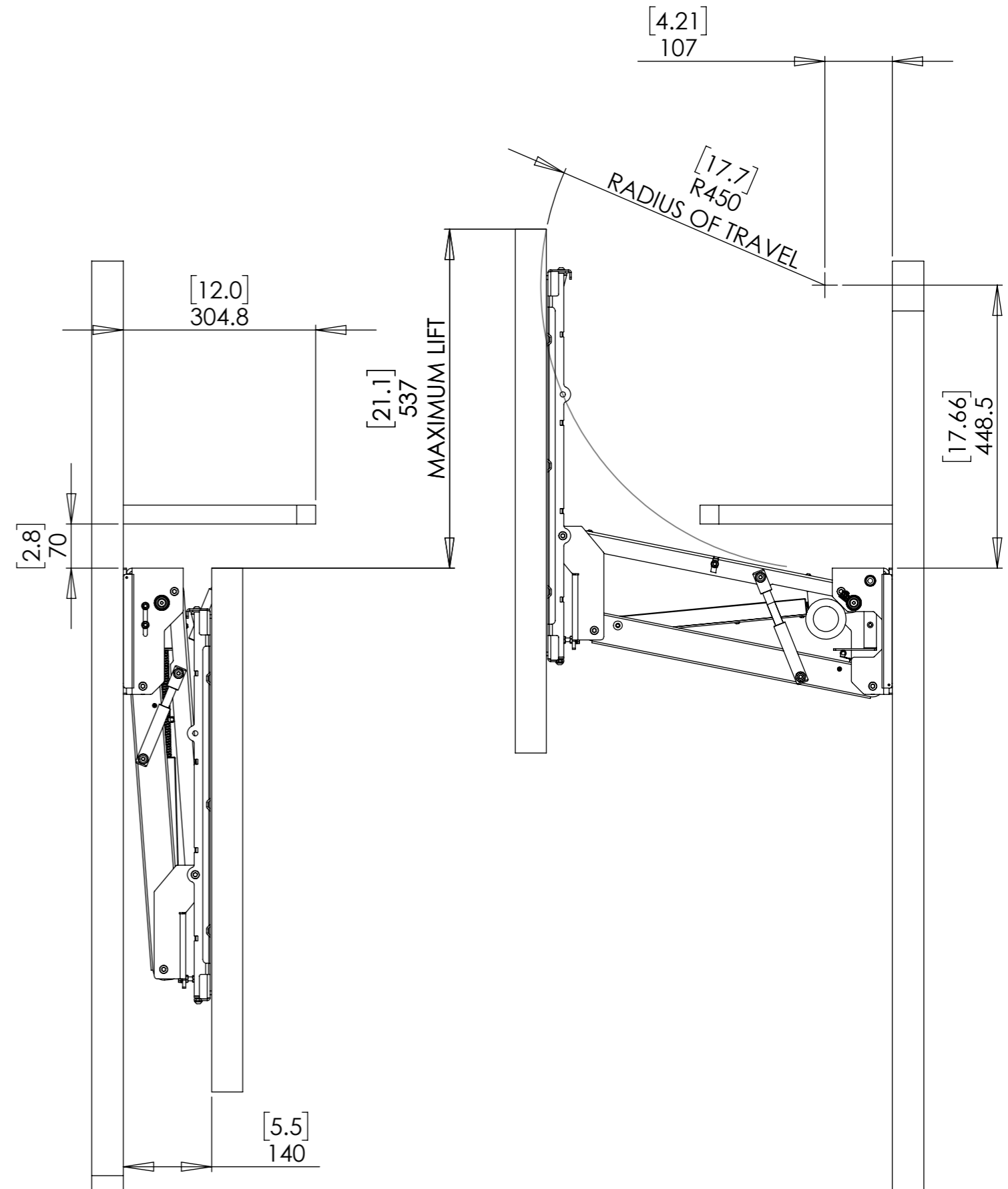
The graph below gives an approximation of wall plate height position assuming the top edge of the screen is flush with the wall plate.

Black Line = Wall mounted
Red Line = Recessed in WB-EAD



If the EAL is being recessed then the figure for mantle piece depth increases by the recess depth value.

If the upper screen edge is not flush with the EAL wall plate (as shown in views right) then the wall plate height below mantle increases by the offset amount.

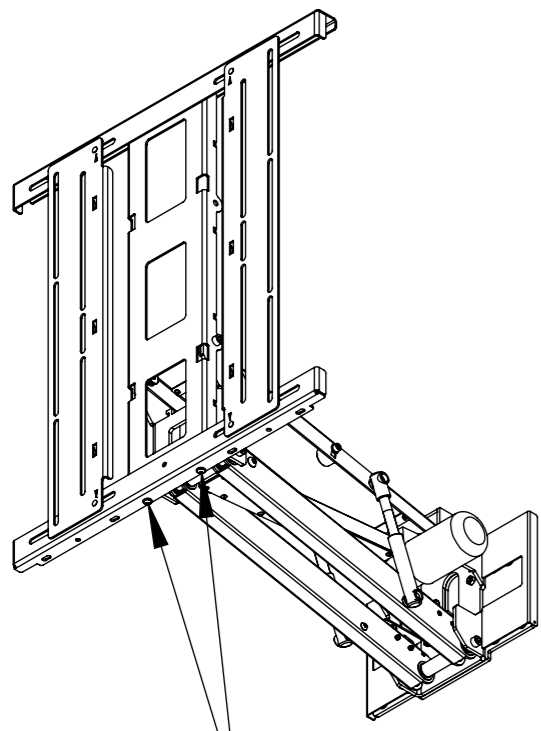


EAL ELECTRIC ADVANCE & LIFT BRACKET

SCREEN MOUNTING

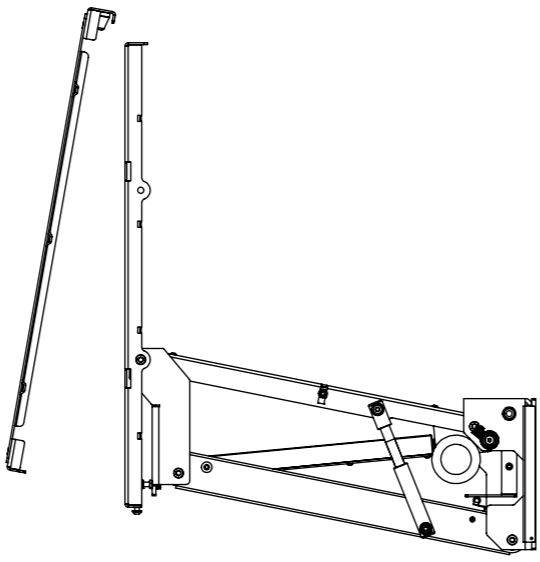
Remove screen mount as shown below and assemble to screen.

Reassemble screen mount to mechanism in reverse of disassembly. Route cables as shown.

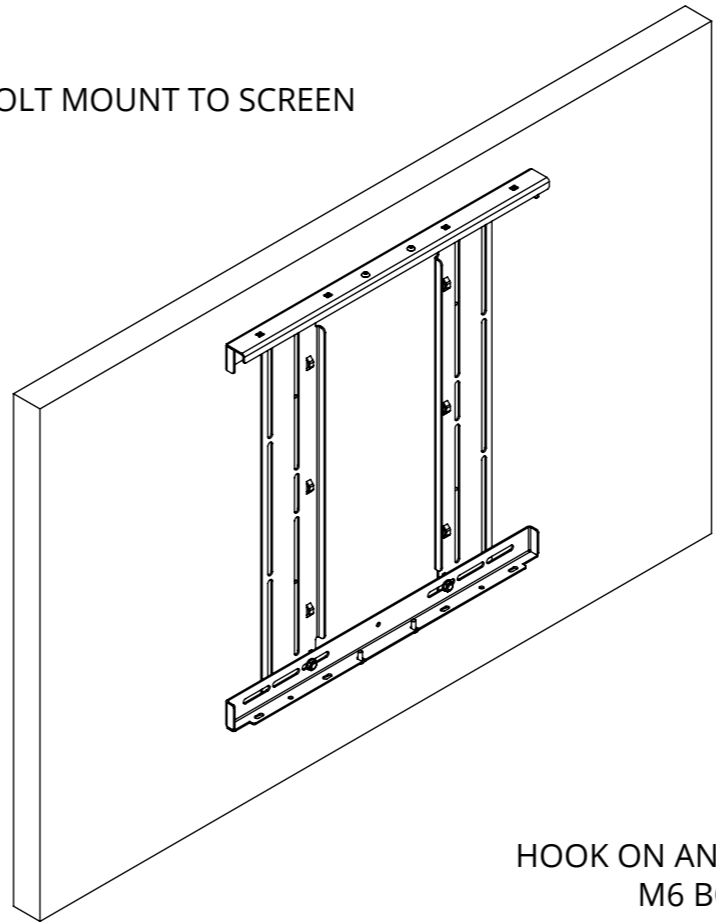


REMOVE M6 BOLTS

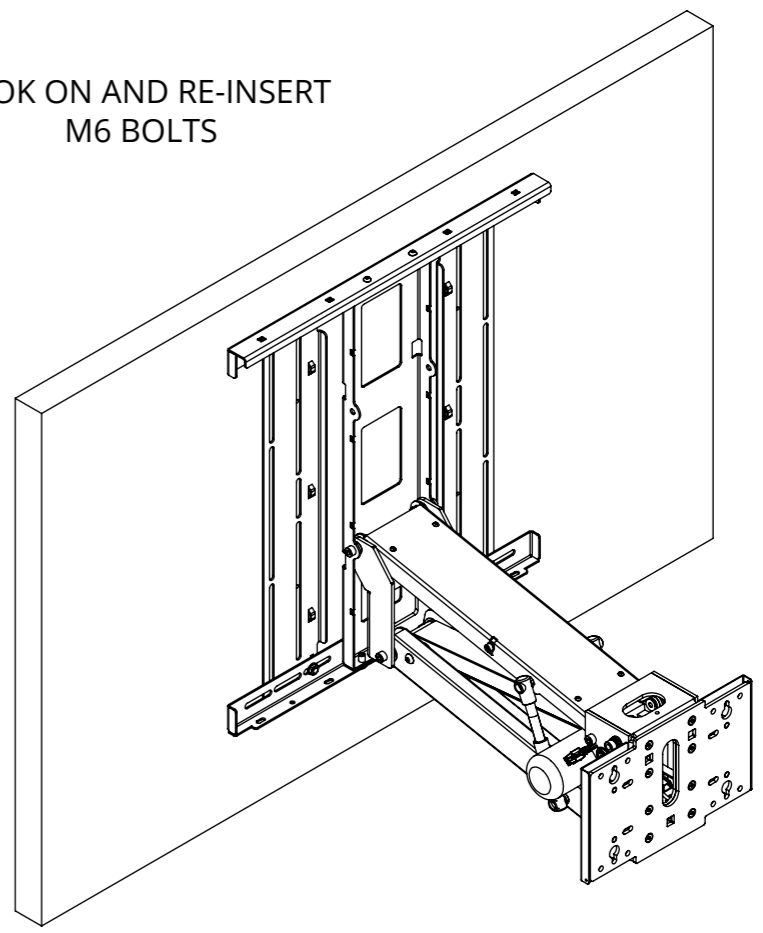
TILT AND UNHOOK MOUNT PLATE



BOLT MOUNT TO SCREEN



HOOK ON AND RE-INSERT M6 BOLTS



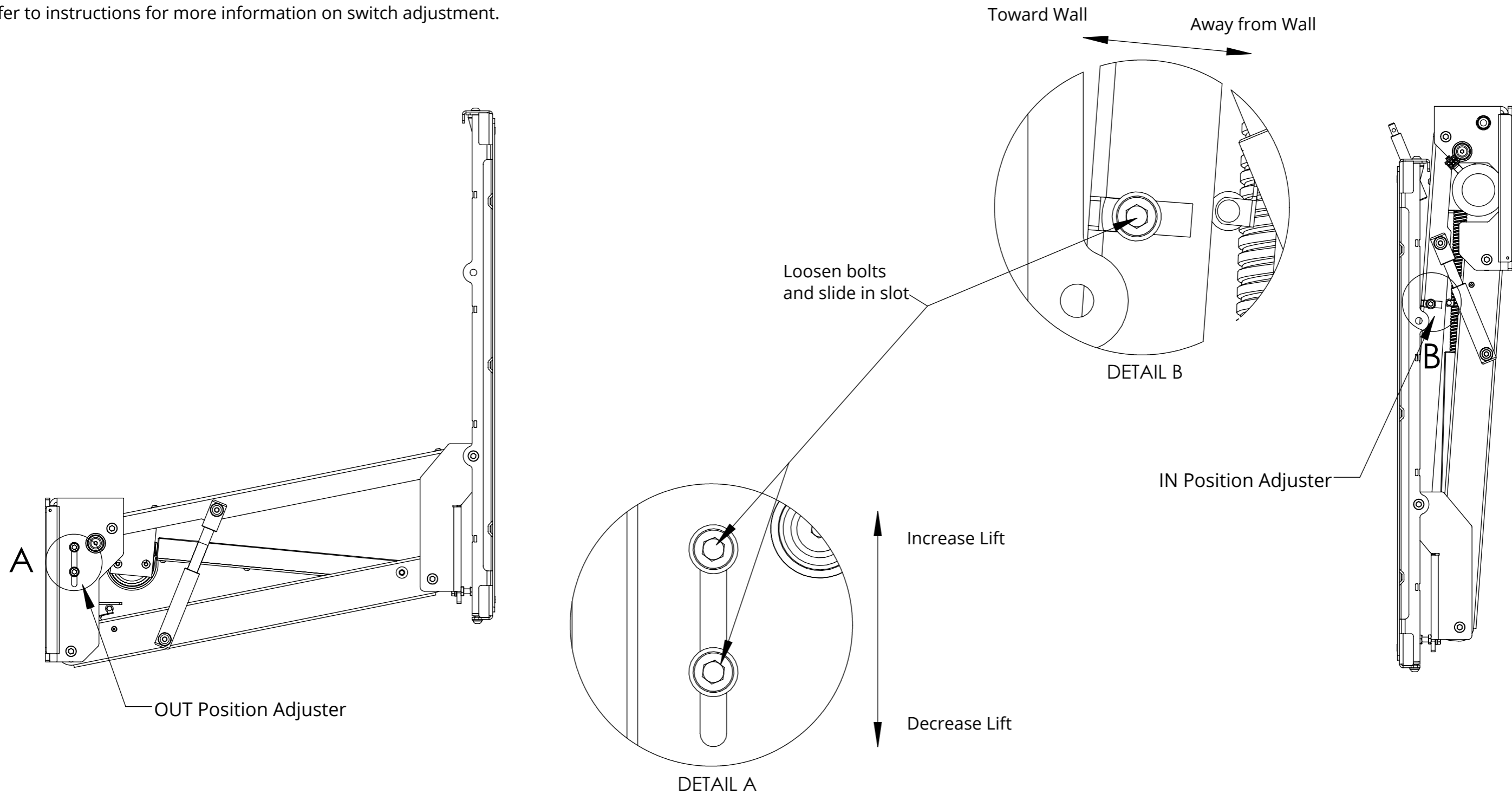
EAL ELECTRIC ADVANCE & LIFT BRACKET



POSITION ADJUMENT

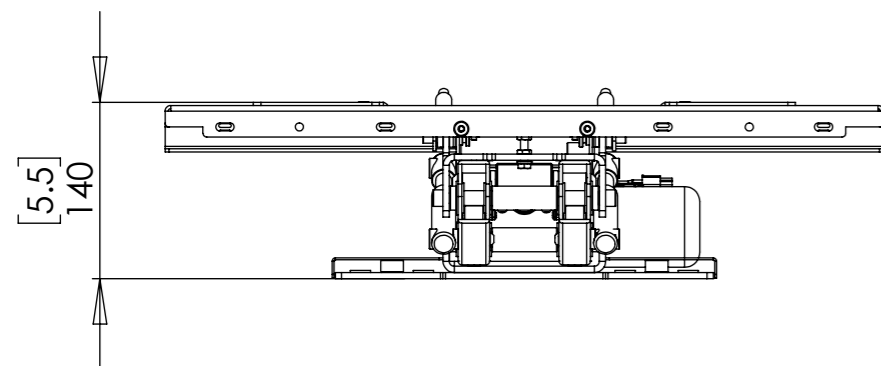
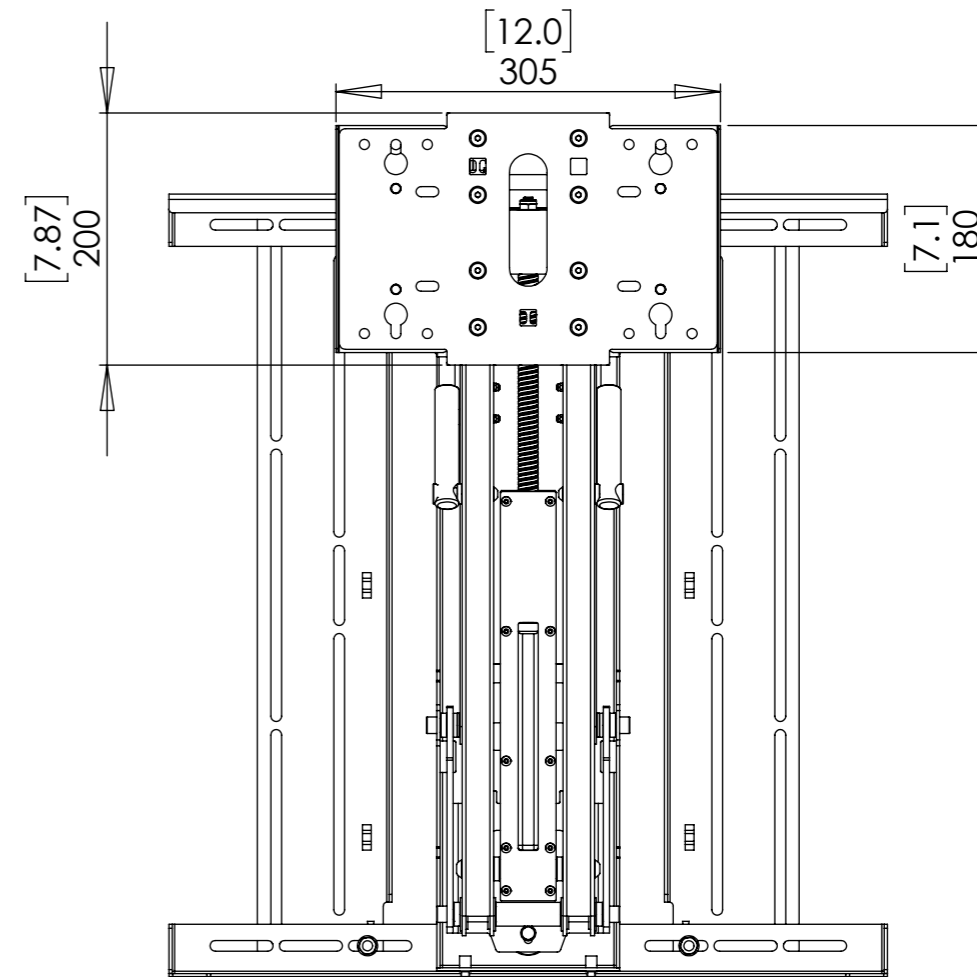
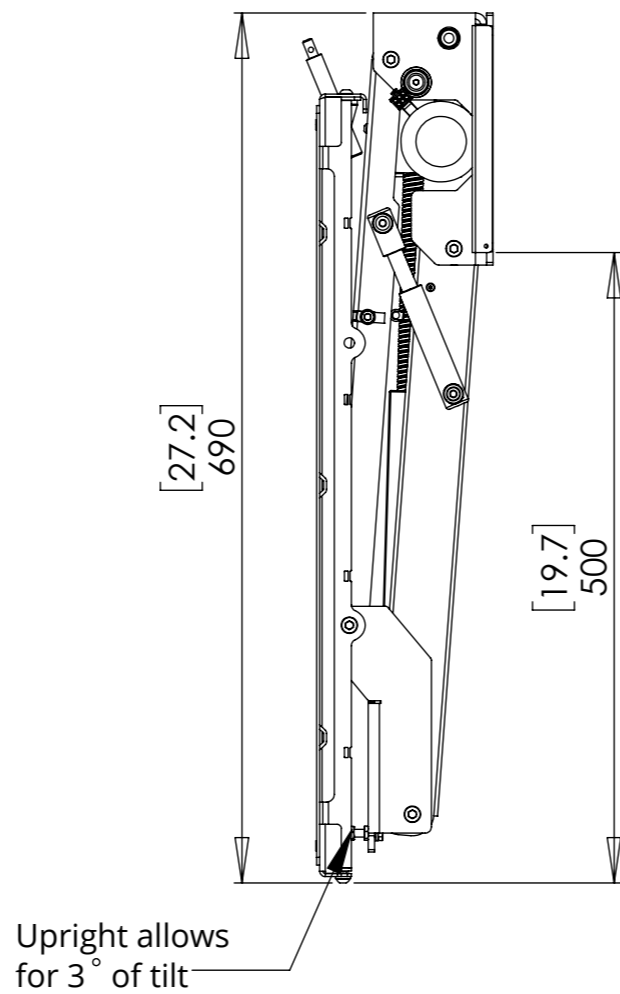
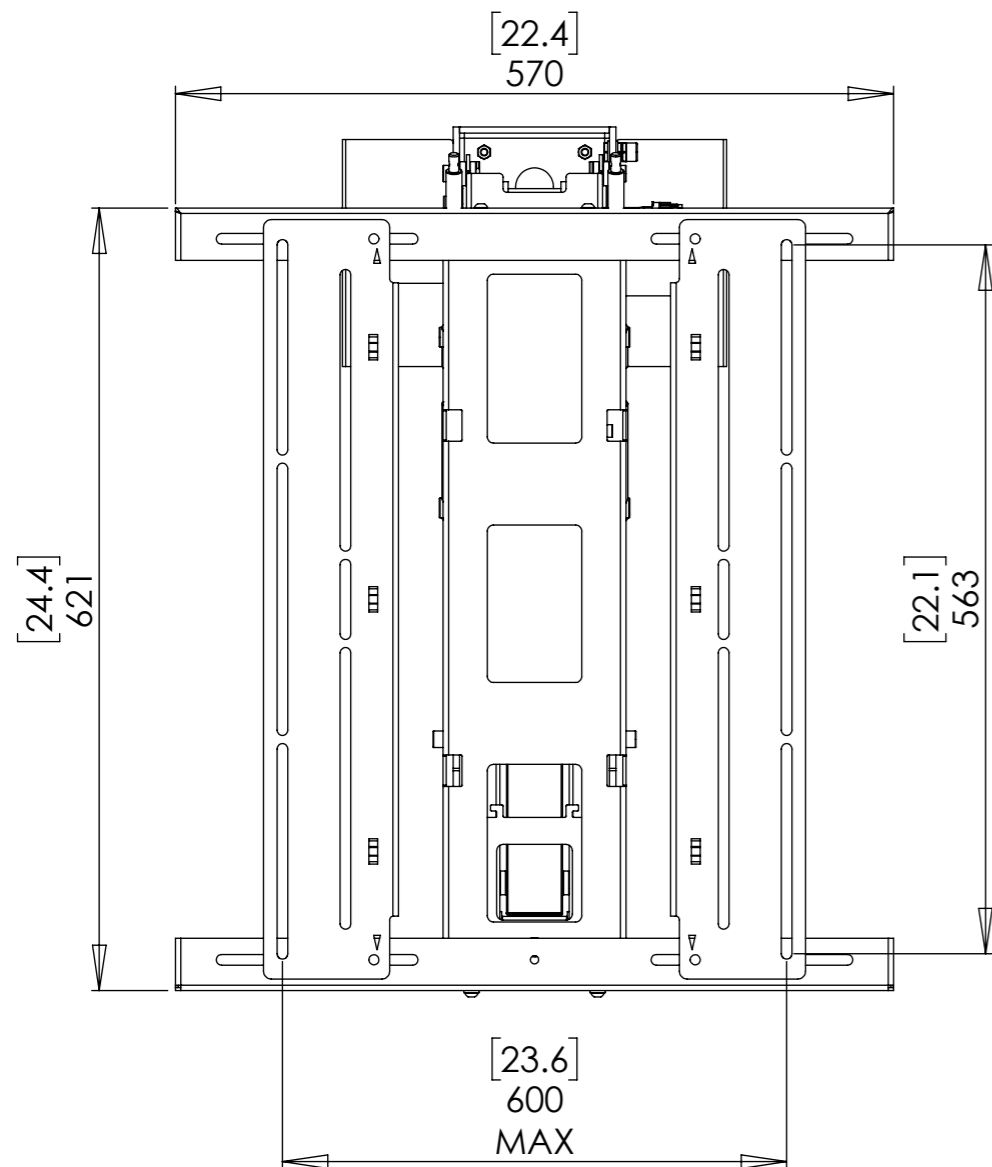
The EAD can be adjusted to fine tune the up and down positions.

Refer to instructions for more information on switch adjustment.



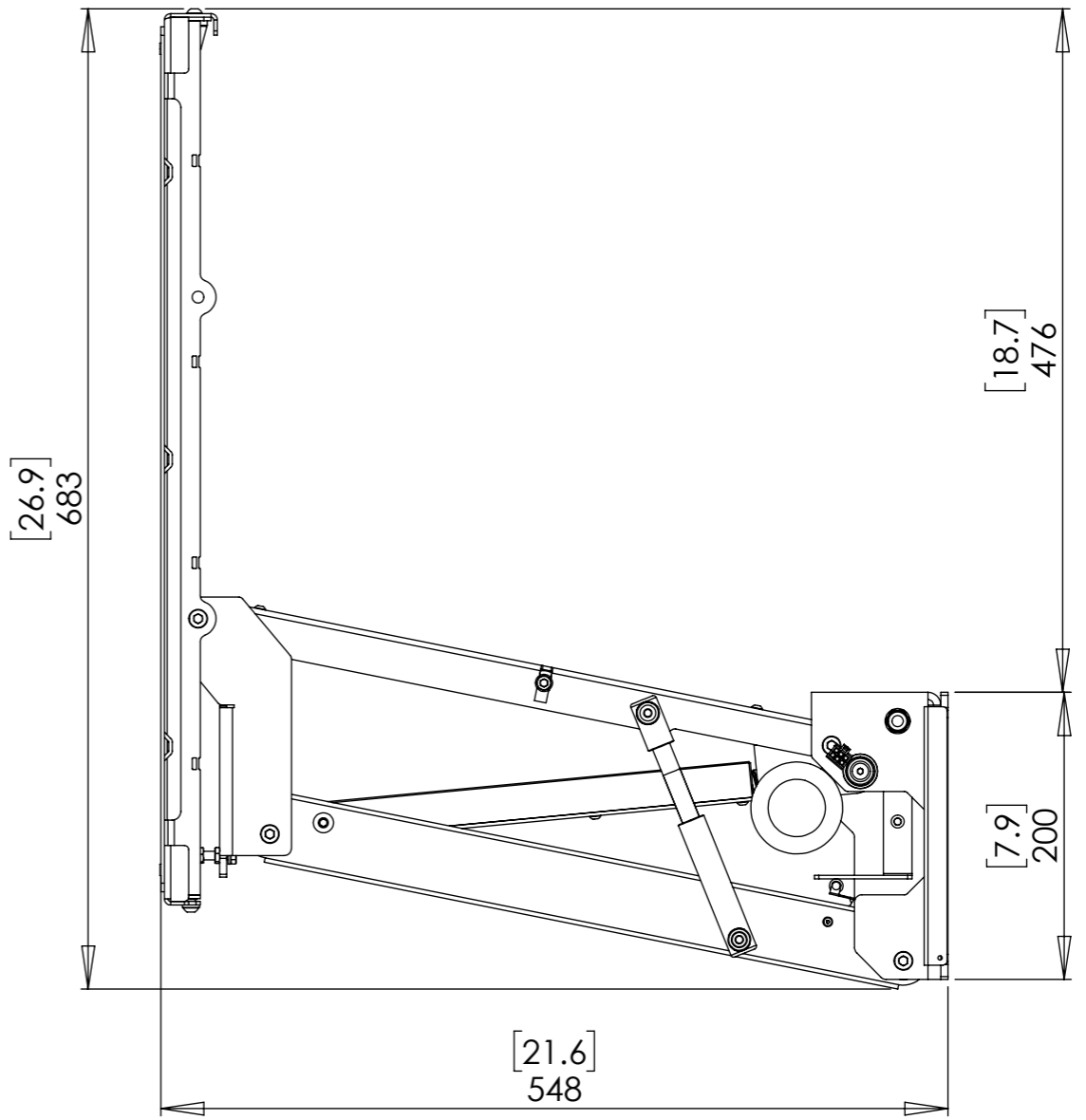
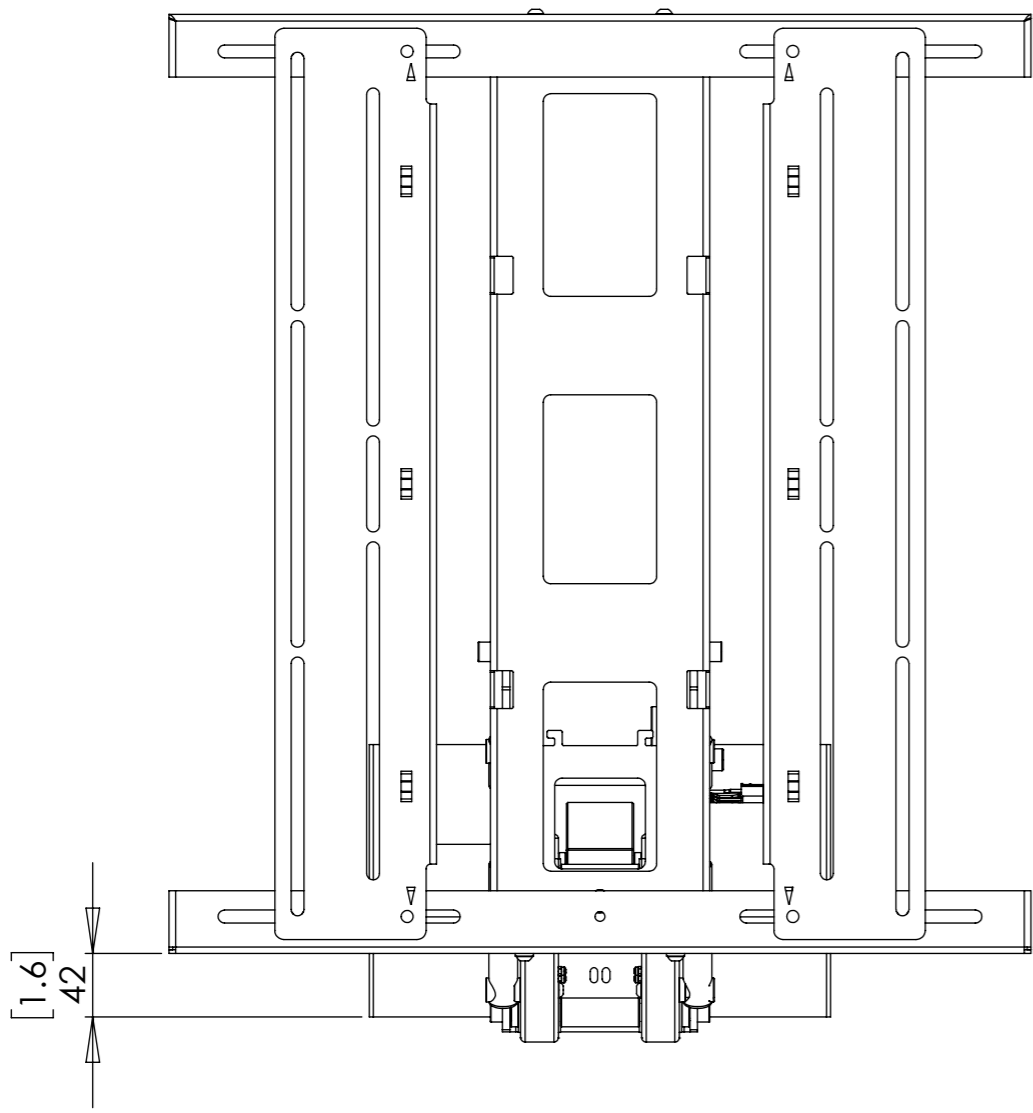
EAL ELECTRIC ADVANCE & LIFT BRACKET

DOWN POSITION DIMENSIONS



EAL ELECTRIC ADVANCE & LIFT BRACKET

UP POSITION DIMENSIONS



EAL ELECTRIC ADVANCE & LIFT BRACKET



future automation

WALL PLATE DIMENSIONS

