

Minx X301 Subwoofer

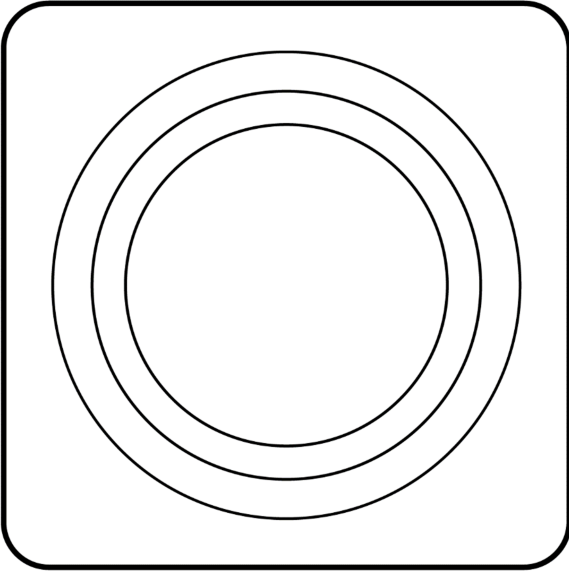
Manual Generated: 22/11/2023 - 16:23

Table of Contents

Minx X301 Subwoofer	3
Introduction	4
What's included with the Minx X301?	5
Front panel	6
Rear panel	7
Unboxing your Minx X301	8
Installation instructions	9
Connecting a second subwoofer	11
Technical specifications	12
Frequently asked questions	13
Troubleshooting	14

Minx X301 Subwoofer

Last updated: January 26, 2023 05:42. Revision #10717



Users Manual

Introduction

Last updated: January 19, 2023 05:58. Revision #10726

Thank you for purchasing this Cambridge Audio Minx X301 subwoofer. Installed and used properly the subwoofer will deliver astonishing sound quality, whether playing music or movies, whatever the listening environment. Please read this guide carefully, as it contains essential information in getting the very best from your subwoofer.

Thank you for taking the time to read this manual; we do recommend you keep it for future reference.

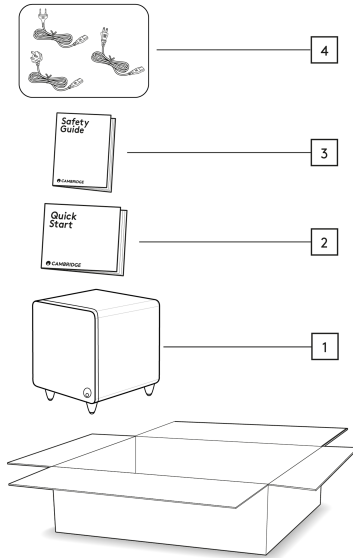
© Copyright Cambridge Audio Ltd .

For upcoming news on future products, software updates and exclusive offers, make sure you register your product at

<http://www.cambridgeaudio.com/register>

What's included with the Minx X301?

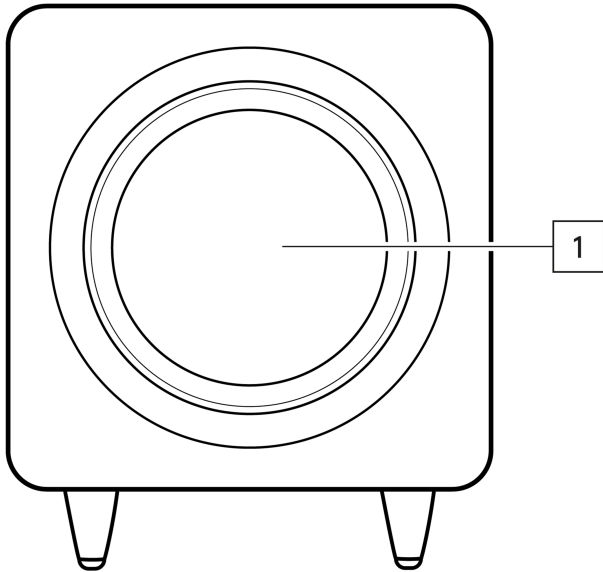
Last updated: January 19, 2023 05:58. Revision #10725



1. Minx X301 Subwoofer.
2. Installation guide.
3. Safety guide.
4. UK mains lead (depending on where the X301 was purchased)
EU mains lead (depending on where the X301 was purchased)
CU mains lead (depending on where the X301 was purchased)

Front panel

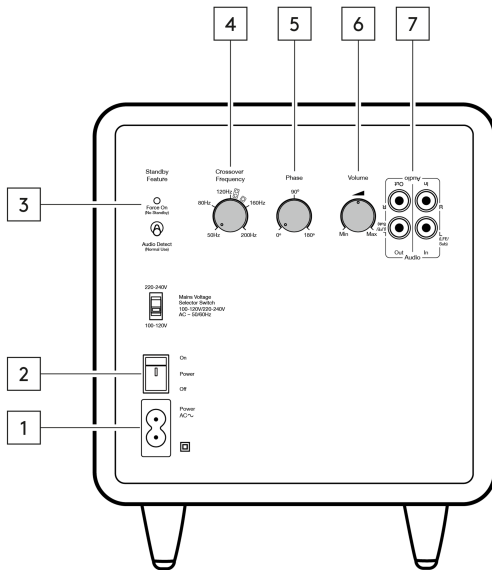
Last updated: January 19, 2023 05:58. Revision #10724



1. 8" Subwoofer.

Rear panel

Last updated: January 19, 2023 05:58. Revision #10723



1. AC power socket.

2. **Mains power switch** - Switch the subwoofer between on and off.

3. **Standby switch** - Switch between 'Force On' (no standby), and 'Audio Detect'. In audio detect mode the X301 will switch on when it detects an incoming signal.

4. **Crossover frequency control** - Adjust the crossover frequency of the subwoofer.

5. **Phase control** - Adjust the phase settings of the subwoofer.

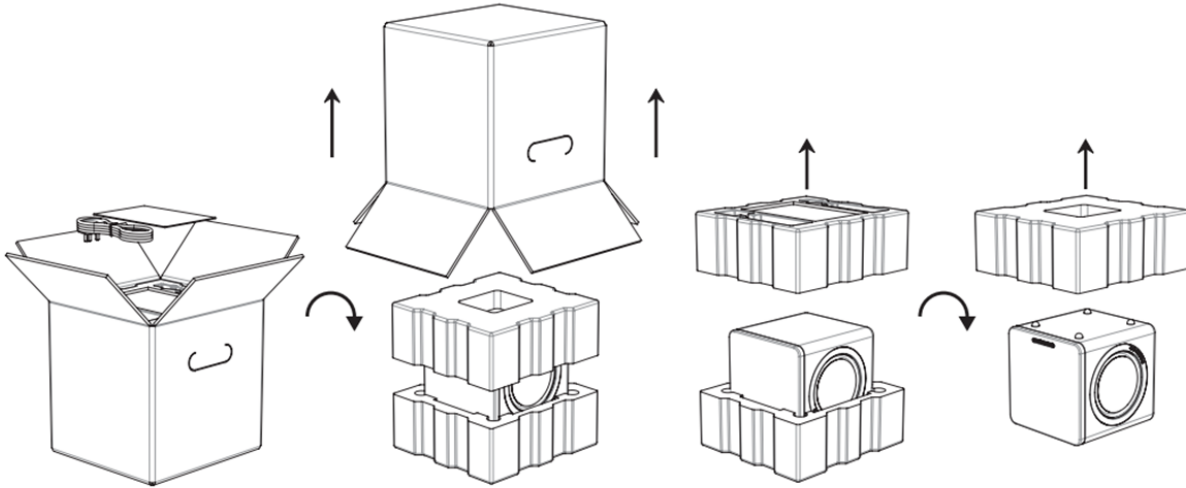
6. **Volume control** - Adjust the volume of the subwoofer.

7. **Audio in/out.**

Unboxing your Minx X301

Last updated: January 19, 2023 05:58. Revision #10722

Follow the diagram and take care when unboxing your Minx X301 so not to damage the speaker cone.

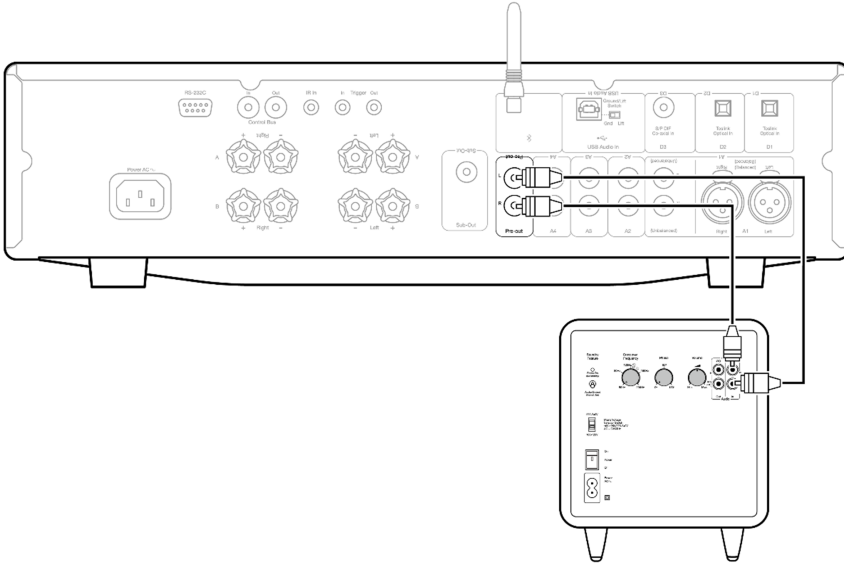


Installation instructions

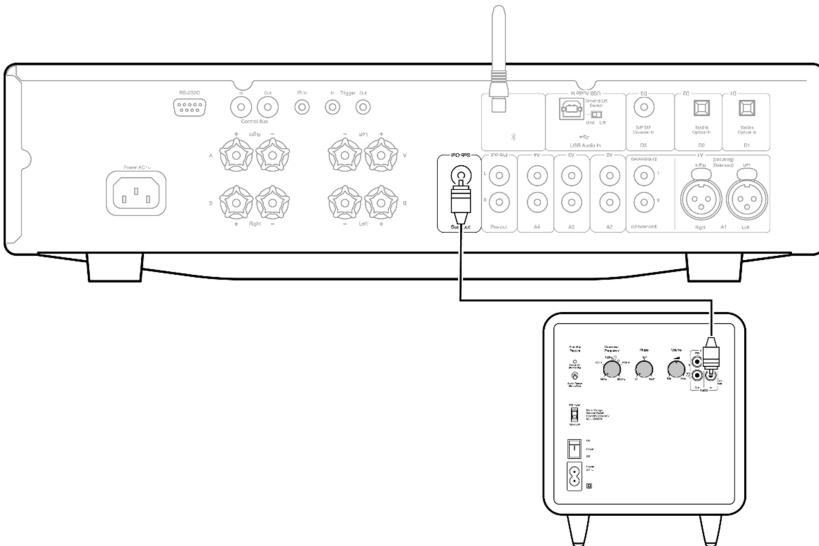
Last updated: January 19, 2023 05:59. Revision #10721

Dependent on your desired setup, there are a few different ways to connect your Minx X301 subwoofer.

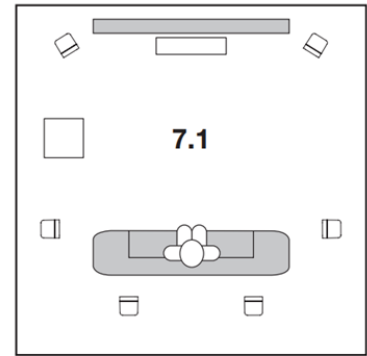
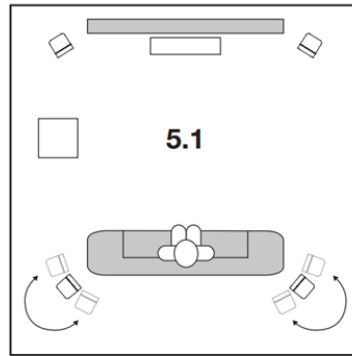
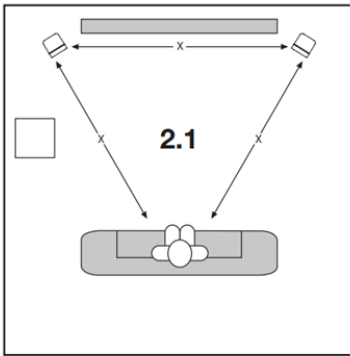
1. If you are using a two-channel hi-fi system, then use the left and right line input connections to connect your Minx X301.



2. If you are using a receiver, or amplifier with a dedicated sub out then connect the Minx X301 using the left channel (LFE/Sub) input.



3. Once connected you can decide where to position your subwoofer. As low frequency content is largely unidirectional, you can experiment to find a place that suits your setup. Please see the below diagram for suggestions on placement dependent on your speaker configuration.

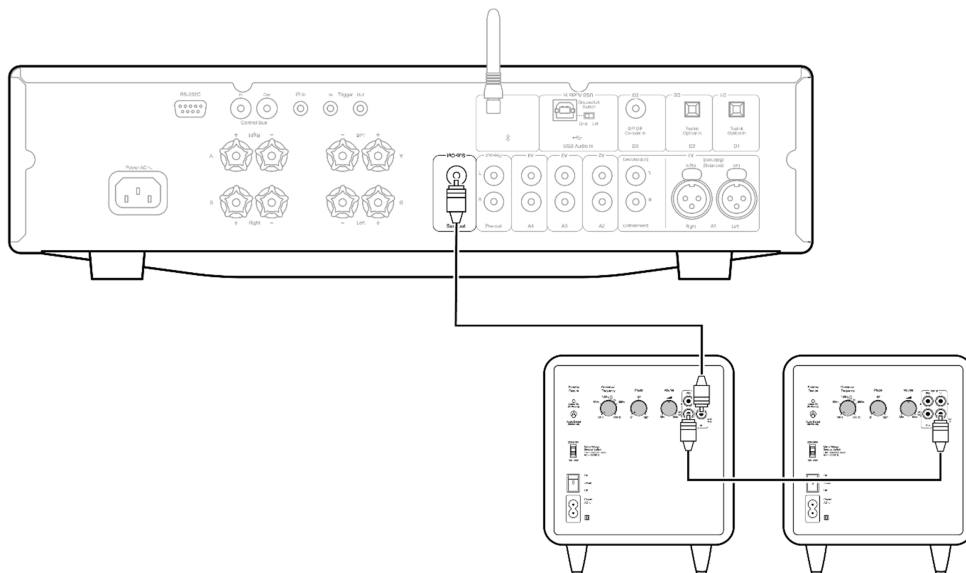


4. Use the crossover frequency, phase, and volume controls to adjust the subwoofer output to fit with the rest of your system, and your requirements.

Connecting a second subwoofer

Last updated: January 19, 2023 05:59. Revision #10720

If you wish to connect a second subwoofer to your setup, this can be done using the line out connections on the rear of your Minx X301. Connect the line out of your X301 to the line in of a secondary subwoofer and adjust the controls accordingly to achieve your desired sound.



Technical specifications

Last updated: January 19, 2023 05:59. Revision #10719

Power output

300W

Drivers

1 x 8" subwoofer

1 x 8" passive radiator

Speaker dimensions (H x W x D)

311 x 266 x 278mm (12.4 x 10.5 x 11")

Weight

7.5kg (16.5lbs)

Frequently asked questions

Last updated: January 19, 2023 05:59. Revision #10718

What is meant by speaker sensitivity?

Speaker sensitivity is the level produced by the speaker at one meter, when supplied with one watt of power from an amplifier. It's a way of describing how well the speaker produces acoustic energy, based on a given input. The level is measured in dB SPL - this shorthand for 'sound pressure level' - sound is basically fluctuations in air pressure, so any time you see SPL, this means 'sound in the real world'. So, let's say we have a speaker with an 87dB sensitivity, and a speaker with a 90dB sensitivity - the 90dB speaker is going to be considerably louder, as every 3dB added represents a doubling of power.

What is a crossover?

Most speakers will have multiple drivers. A driver is sometimes called a transducer, which is a device that turns one type of energy into another - in this case, electrical energy to sound energy. In a loudspeaker, it is often the case that we might want multiple drivers - one to handle low-end, one to handle the mid-range, and one to handle the treble. This latter driver is often called a tweeter. To get the benefit of this arrangement, we need to split the signal into different frequency components. The circuit that does this is called a crossover.

What is impedance?

You will often see impedance mentioned when researching speakers, and amplifiers. Impedance is basically resistance measured at a given frequency, given as a value in Ohms (Ω), and is incredibly important to consider when setting up an audio system as it determines the 'load' placed on an amplifier by the speakers.

For example, let's say we have an amplifier that is rated to deliver 100W into an 8 Ω speaker load. If we were to then use speakers with an impedance of 4 Ω with the same amplifier, the amp would then need to supply 200W as a halving of the impedance results in a doubling of the required power due to the reduction of the load on the amplifier.

In a situation such as this, if the amp can't supply the required power for a lower impedance, then it can result in overheating, and damage to the amplifier and speakers.

For this reason, it is important to pay attention to amplifier specifications, and suggested impedance ratings.

Troubleshooting

Last updated: January 19, 2023 05:59. Revision #10727

No sound through subwoofer.

- Check that the amplifier is turned on.
- Ensure that the correct input source is selected on the amplifier.
- Check that the subwoofer is turned on.
- Confirm that all connections between the amplifier and subwoofer are secure.
- Check that the connections between the source equipment and amplifier are secure.
- Check that the volume control is set correctly on the amplifier.
- Check that the volume control is set correctly on the subwoofer.

There is distorted or inconsistent sound.

- Confirm that all connections between the amplifier and loudspeakers are secure.
- Check that the connections between the source equipment and amplifier are secure.

There is no power to the subwoofer.

- Confirm that the connection to the mains is secure.
- Confirm that the plug is switched on at the wall.