

Minx C46 Ceiling Speaker

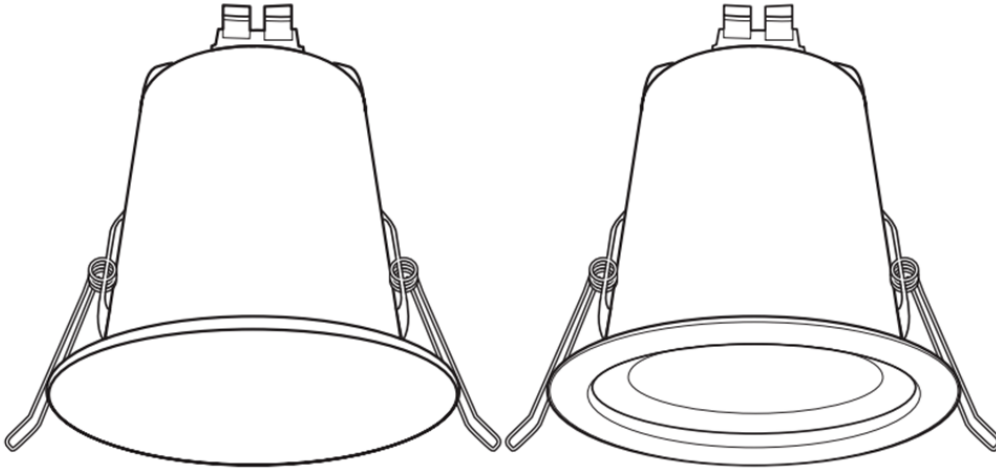
Manual Generated: 22/11/2023 - 17:50

Table of Contents

Minx C46 Ceiling Speaker	3
Introduction	4
What's included with the Minx C46?	5
Installation instructions	6
Technical specifications	9
Frequently asked questions	10
Troubleshooting	11

Minx C46 Ceiling Speaker

Last updated: January 6, 2023 08:12. Revision #11059



Users Manual

Introduction

Last updated: January 19, 2023 05:43. Revision #11060

This guide is designed to make installing and using this product as easy as possible. Information in this document has been carefully checked for accuracy at the time of printing; however, Cambridge Audio's policy is one of continuous improvement, therefore design and specifications are subject to change without prior notice.

This document contains proprietary information protected by copyright. All rights are reserved. No part of this manual may be reproduced by any mechanical, electronic or other means, in any form, without prior written permission of the manufacturer. All trademarks and registered trademarks are the property of their respective owners.

© Copyright Cambridge Audio Ltd .

For upcoming news on future products, software updates and exclusive offers, make sure you register your product at

<http://www.cambridgeaudio.com/register>

What's included with the Minx C46?

Last updated: January 19, 2023 05:43. Revision #11061

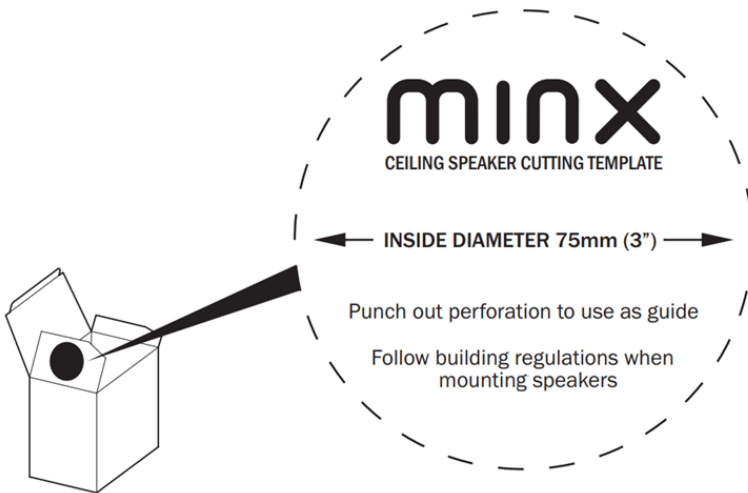
1. 1 x Minx C46 Ceiling Speaker.

Installation instructions

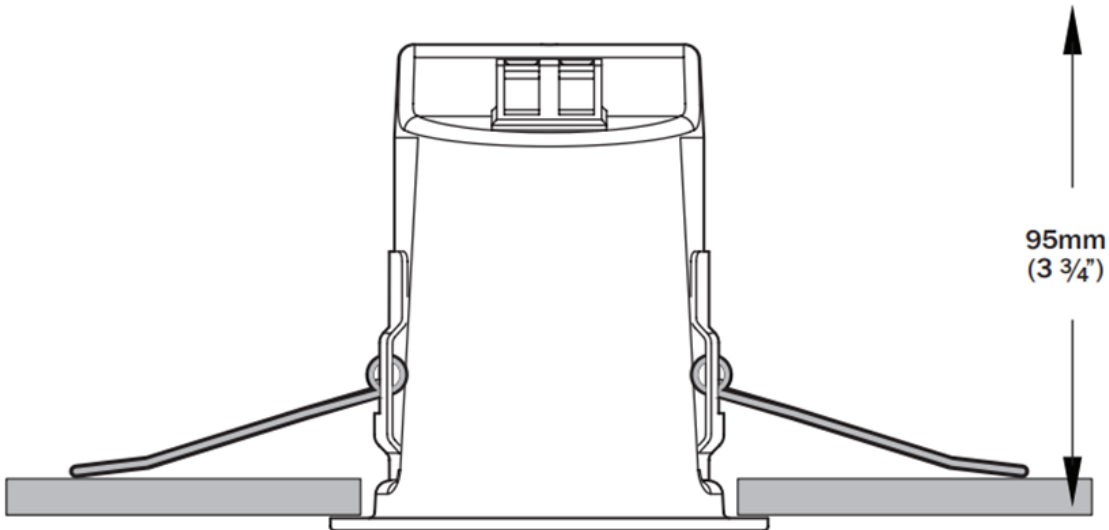
Last updated: January 19, 2023 05:43. Revision #11062

1. Firstly use the included template to mark the position for the mounting hole at the selected location.

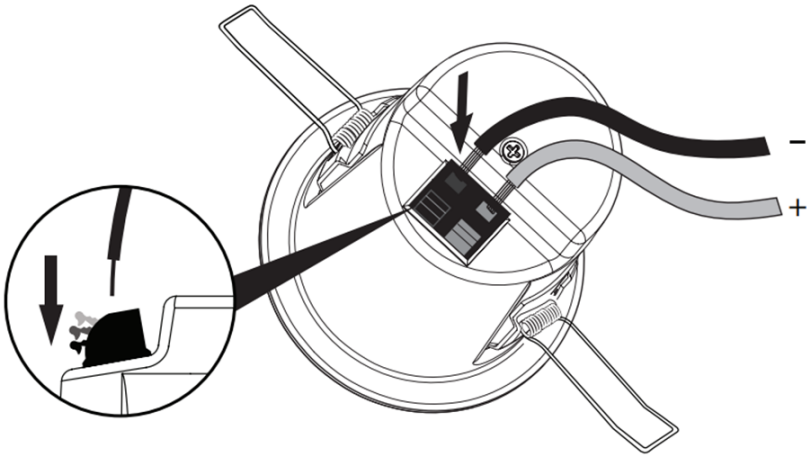
Note: We recommend the use of a 75mm (3") downlight hole saw.



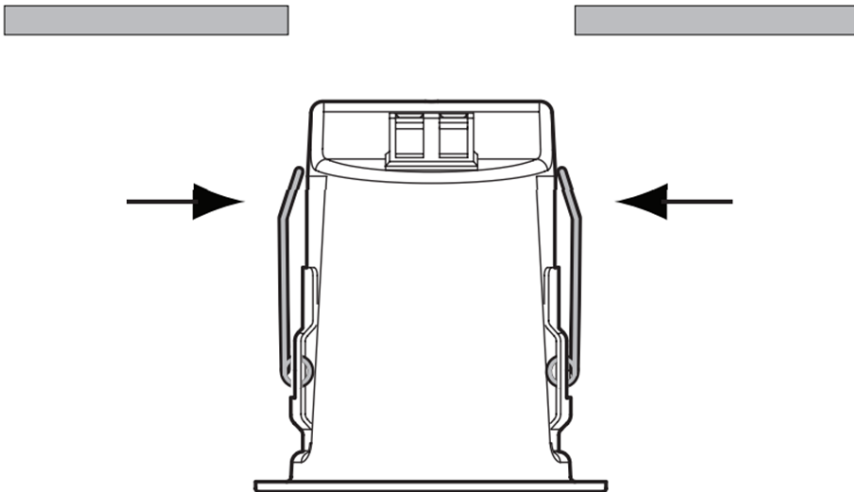
2. When mounting speakers flush to a ceiling or wall, ensure that there is enough depth/clearance within the respective cavity. For the Minx C46 you will require a minimum clearance of **95mm (3 3/4")**.



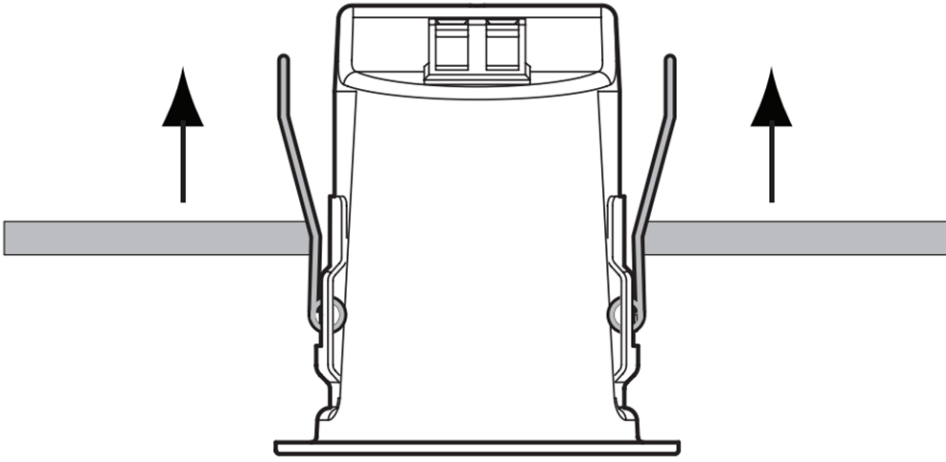
3. Connect the RED positive (+) and BLACK negative (-) speaker cables to the relevant terminals on the Minx C46. It is important that these are matched correctly.



4. Next, press the metal clips upwards and fit the two longer arms into the ceiling hole.



5. Push the speaker upwards until firmly within the mounting hole.



Technical specifications

Last updated: January 19, 2023 05:43. Revision #11063

Sensitivity (SPL)

86dB (2.83 Vrms input)

Frequency Response

120Hz - 20kHz

Impedance

8 Ohms compatible.

Recommended amp power

25-200W. Using a high powered amplifier lower down its volume scale results in lower distortion and better sound. If you hear a distorted sound or mechanical 'crack' as the speakers hit their end stops, you are playing the speakers too loud and this may cause damage. With an AVR the Minx C46 speakers should be set to 'small' with a crossover frequency of 140Hz. In this configuration, power handling is considerable increased.

Drivers

1 x 2.25" woofer.

Speaker Dimensions (H x W x D)

98 x ø 88mm (3.6 x ø 3.4")

Weight

0.46kg (1.01lbs)

Frequently asked questions

Last updated: January 19, 2023 05:43. Revision #11064

What is meant by speaker sensitivity?

Speaker sensitivity is the level produced by the speaker at one meter, when supplied with one watt of power from an amplifier. It's a way of describing how well the speaker produces acoustic energy, based on a given input. The level is measured in dB SPL - this shorthand for 'sound pressure level' - sound is basically fluctuations in air pressure, so any time you see SPL, this means 'sound in the real world'. So, let's say we have a speaker with an 87dB sensitivity, and a speaker with a 90dB sensitivity - the 90dB speaker is going to be considerably louder, as every 3dB added represents a doubling of power.

What is impedance?

You will often see impedance mentioned when researching speakers, and amplifiers. Impedance is basically resistance measured at a given frequency, given as a value in Ohms (Ω), and is incredibly important to consider when setting up an audio system as it determines the 'load' placed on an amplifier by the speakers.

For example, let's say we have an amplifier that is rated to deliver 100W into an 8 Ω speaker load. If we were to then use speakers with an impedance of 4 Ω with the same amplifier, the amp would then need to supply 200W as a halving of the impedance results in a doubling of the required power due to the reduction of the load on the amplifier.

In a situation such as this, if the amp can't supply the required power for a lower impedance, then it can result in overheating, and damage to the amplifier and speakers.

For this reason, it is important to pay attention to amplifier specifications, and suggested impedance ratings.

Troubleshooting

Last updated: January 19, 2023 05:43. Revision #11065

No sound through one or both channels.

- Check that the amplifier is turned on.
- Ensure that the correct input source is selected on the amplifier.
- Confirm that all connections between the amplifier and loudspeakers are secure.
- Check that the connections between the source equipment and amplifier are secure.
- Check the polarity of the loudspeaker connections.
- Check that the volume control is set correctly on the amplifier.

There is distorted or inconsistent sound.

- Confirm that all connections between the amplifier and loudspeakers are secure.
- Check the polarity of the loudspeaker connections.
- Check that the connections between the source equipment and amplifier are secure.