

Minx S325 Speaker Bundle

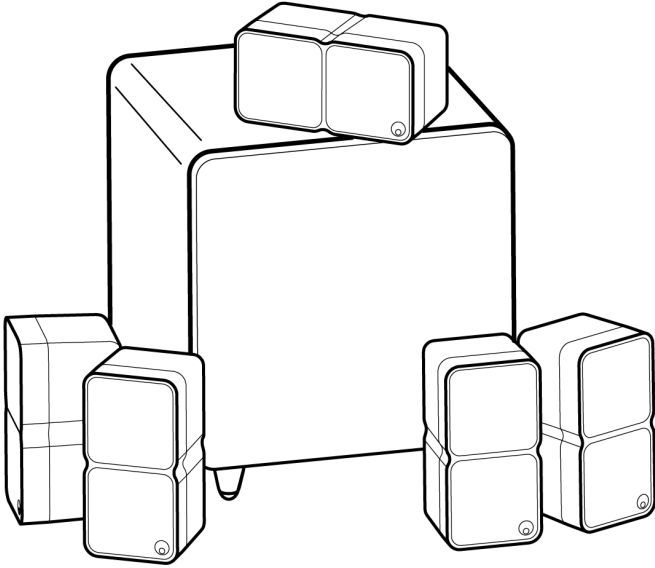
Manual Generated: 20/11/2023 - 18:04

Table of Contents

Minx S325 Speaker Bundle	3
Introduction	4
What's included with the Minx S325 bundle?	5
Minx MIN22 front and rear	6
Minx X301 front and rear	7
Minx MIN22 installation	9
Minx X301 unboxing and installation	10
Technical specifications	12
Frequently asked questions	13
Troubleshooting	14

Minx S325 Speaker Bundle

Last updated: February 7, 2023 04:09. Revision #10920



Users Manual

Introduction

Last updated: February 2, 2023 04:43. Revision #10929

Thank you for purchasing this Cambridge Audio Minx Minx S325 loudspeaker bundle. We hope that you enjoy many years of listening pleasure from it. Your loudspeakers can only be as good as the system it is connected to. Please do not compromise on your amplifier.

Thank you for taking the time to read this manual; we do recommend you keep it for future reference.

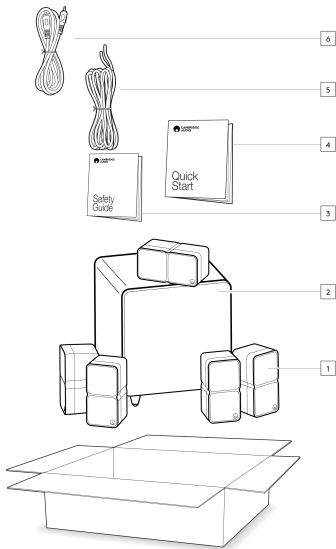
© Copyright Cambridge Audio Ltd .

For upcoming news on future products, software updates and exclusive offers, make sure you register your product at

<http://www.cambridgeaudio.com/register>

What's included with the Minx S325 bundle?

Last updated: February 7, 2023 04:09. Revision #10928

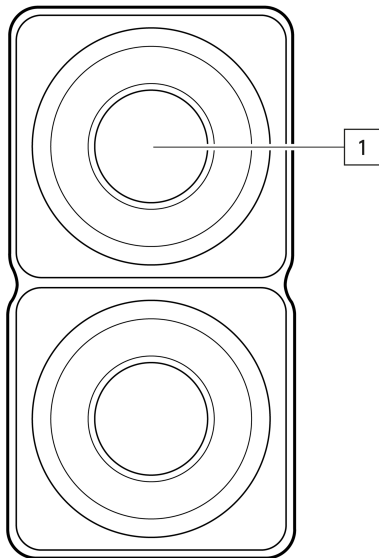


1. 5 x Minx MIN22 compact speaker.
2. Minx X301 subwoofer.
3. Safety guide.
4. Quick start guide.
5. 25m speaker wire.
6. 5m RCA subwoofer lead.

Minx MIN22 front and rear

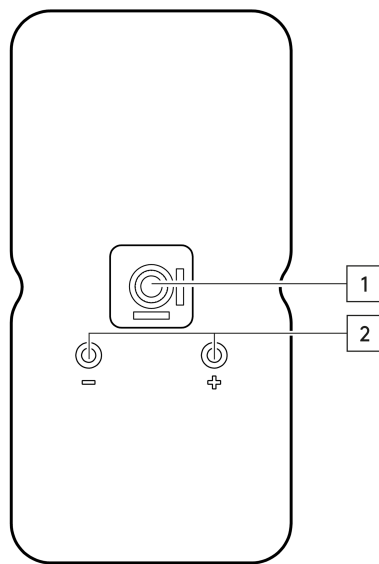
Last updated: February 2, 2023 04:42. Revision #10927

Front.



1. 2 x 2.25" BMR driver.

Rear panel.

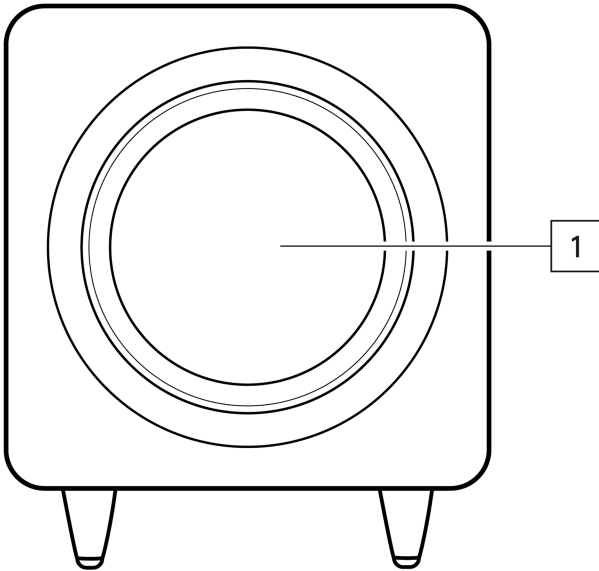


1. Mounting screw thread.
2. +/- Speaker connection terminals.

Minx X301 front and rear

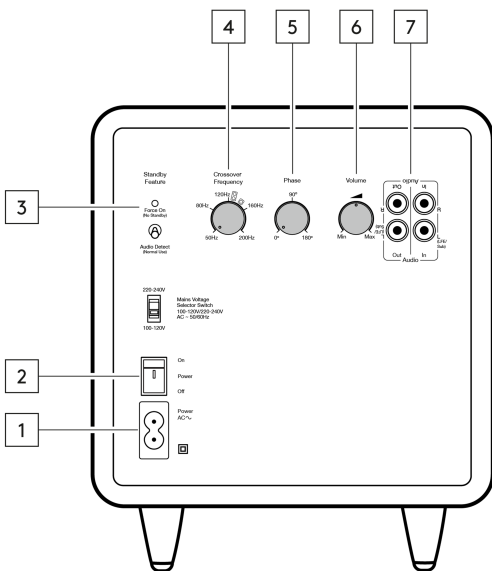
Last updated: February 2, 2023 04:43. Revision #10926

Front.



1. 8" Subwoofer.

Rear.



1. AC power socket.

2. **Mains power switch** - Switch the subwoofer between on and off.

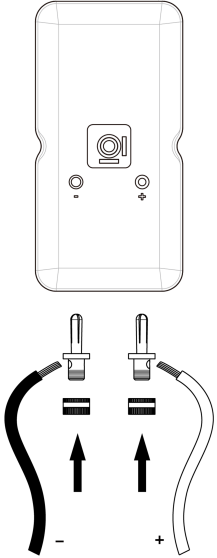
3. **Standby switch** - Switch between 'Force On' (no standby), and 'Audio Detect'. In audio detect mode the X301 will switch on when it detects an incoming signal.

4. **Crossover frequency control** - Adjust the crossover frequency of the subwoofer.
5. **Phase control** - Adjust the phase settings of the subwoofer.
6. **Volume control** - Adjust the volume of the subwoofer.
7. **Audio in/out.**

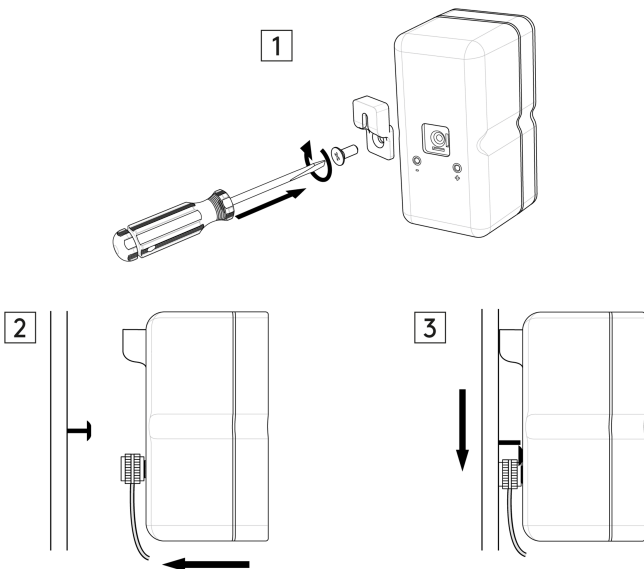
Minx MIN22 installation

Last updated: February 2, 2023 04:43. Revision #10924

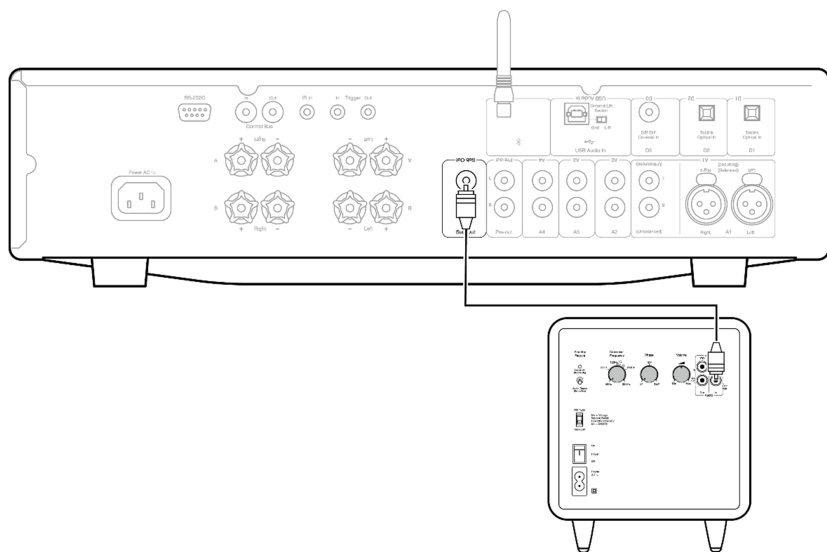
1. Firstly, ensuring to match the polarity/colour coding, connect the supplied speaker terminals to the speaker outputs of your amplifier or receiver by unscrewing the ends, and securing the speaker cable in the available hole on each terminal. These terminals can then be installed into the rear of the MIN22 with the cables connected.



2. If mounting the MIN22 speakers to a wall you will need to attach the included keyhole bracket using the mounting screw to the rear of the speaker.



3. Alternatively, we offer several other mounting solutions including a pivoting wall mount, desk stand, and floor stand.



3. Once connected you can decide where to position your subwoofer. As low frequency content is largely unidirectional, you can experiment to find a place that suits your setup.
4. Use the crossover frequency, phase, and volume controls to adjust the subwoofer output to fit with the rest of your system, and your requirements.

Technical specifications

Last updated: February 2, 2023 04:43. Revision #10922

Minx MIN22.

Sensitivity (SPL)

88B

Frequency Response

120Hz - 20kHz

Impedance

8 Ohms Compatible

Drivers

2 x 2.25" BMR Driver

Recommended Amplifier Power

25 - 200 Watts

Speaker Dimensions (H x W x D)

154 x 78 x 85mm.

Weight

0.75kg (1.65lbs)

Minx X301.

Power output

300W

Drivers

1 x 8" subwoofer

1 x 8" passive radiator

Speaker dimensions (H x W x D)

311 x 266 x 278mm

Weight

7.5kg (16.5lbs)

Frequently asked questions

Last updated: February 2, 2023 04:43. Revision #10921

What is meant by speaker sensitivity?

Speaker sensitivity is the level produced by the speaker at one meter, when supplied with one watt of power from an amplifier. It's a way of describing how well the speaker produces acoustic energy, based on a given input. The level is measured in dB SPL - this shorthand for 'sound pressure level' - sound is basically fluctuations in air pressure, so any time you see SPL, this means 'sound in the real world'. So, let's say we have a speaker with an 87dB sensitivity, and a speaker with a 90dB sensitivity - the 90dB speaker is going to be considerably louder, as every 3dB added represents a doubling of power.

What is a crossover?

Most speakers will have multiple drivers. A driver is sometimes called a transducer, which is a device that turns one type of energy into another - in this case, electrical energy to sound energy. In a loudspeaker, it is often the case that we might want multiple drivers - one to handle low-end, one to handle the mid-range, and one to handle the treble. This latter driver is often called a tweeter. To get the benefit of this arrangement, we need to split the signal into different frequency components. The circuit that does this is called a crossover.

What is impedance?

You will often see impedance mentioned when researching speakers, and amplifiers. Impedance is basically resistance measured at a given frequency, given as a value in Ohms (Ω), and is incredibly important to consider when setting up an audio system as it determines the 'load' placed on an amplifier by the speakers.

For example, let's say we have an amplifier that is rated to deliver 100W into an 8 Ω speaker load. If we were to then use speakers with an impedance of 4 Ω with the same amplifier, the amp would then need to supply 200W as a halving of the impedance results in a doubling of the required power due to the reduction of the load on the amplifier.

In a situation such as this, if the amp can't supply the required power for a lower impedance, then it can result in overheating, and damage to the amplifier and speakers.

For this reason, it is important to pay attention to amplifier specifications, and suggested impedance ratings.

Troubleshooting

Last updated: February 2, 2023 04:43. Revision #10930

No sound through one or both channels.

- Check that the amplifier is turned on.
- Ensure that the correct input source is selected on the amplifier.
- Confirm that all connections between the amplifier and loudspeakers are secure.
- Check that the connections between the source equipment and amplifier are secure.
- Check the polarity of the loudspeaker connections.
- Check that the volume control is set correctly on the amplifier.

There is distorted or inconsistent sound.

- Confirm that all connections between the amplifier and loudspeakers are secure.
- Check the polarity of the loudspeaker connections.
- Check that the connections between the source equipment and amplifier are secure.

No sound through subwoofer.

- Check that the amplifier is turned on.
- Ensure that the correct input source is selected on the amplifier.
- Check that the subwoofer is turned on.
- Confirm that all connections between the amplifier and subwoofer are secure.
- Check that the connections between the source equipment and amplifier are secure.
- Check that the volume control is set correctly on the amplifier.
- Check that the volume control is set correctly on the subwoofer.

There is no power to the subwoofer.

- Confirm that the connection to the mains is secure.
- Confirm that the plug is switched on at the wall.