

# LCR2 Compact High Performance Loudspeaker



## Specifications for the LCR2

|                             |  |
|-----------------------------|--|
| Type                        | Sealed-box, 2-way  |
| Drivers: Woofers            | (1) 3 <sup>1</sup> / <sub>2</sub> " CPP                                    |
| Tweeter                     | (1) 3/4" silk dome tweeter   |
| Frequency Response          | 115Hz - 20kHz (± 3dB)  |
| Nominal Impedance           | 6 ohms   |
| Crossover Frequency         | 3.5kHz   |
| Sensitivity                 | 87dB   |
| Recommended Amplifier Power | 10-125 Watts   |
| Dimensions                  | 4 <sup>3</sup> / <sub>4</sub> " x 8" x 5" (120mm x 204mm x 127mm) w/grille |
| Weight (each, unpacked)     | 3.22 lbs; 1.4kg  |

Specifications are those in effect at the time of printing. Atlantic Technology reserves the right to change specifications or appearance at any time without notice.  
Dolby Digital, AC-3, 5.1, Dolby Stereo and Dolby Pro Logic are trademarks of Dolby Laboratories Licensing Corporation.  
DTS is a registered trademark of DTS Inc.

**Atlantic**  
TECHNOLOGY

343 Vanderbilt Avenue Norwood, MA 02062  
(781) 762-6300  
[www.atlantictechnology.com](http://www.atlantictechnology.com)

Instruction Manual

# LCR2

## Compact High Performance Loudspeaker

Thank you for choosing Atlantic Technology home theater products. Your new speaker system is precision crafted to give you years of enjoyable, trouble free service. This manual covers the Atlantic Technology LCR2. The LCR2 is a versatile loudspeaker that can be used in any position in a home theater such as a left or right channel or a center channel or even a surround channel. Each LCR2 consists of a low resonance MDF cabinet, 3.5" CPP driver, 3/4" silk dome tweeter and high quality crossover components. The LCR2 is designed for use with all surround formats such as Dolby Digital, DTS or Dolby Atmos.

### Positioning the LCR2 as a Front, Center or Surround Channel Speaker

We recommend placing the LCR2 with the tweeters facing upward. Set the receiver bass management or speaker size to "small" and the crossover to 100Hz.

Alternatively, if you have limited room you can use the LCR2 horizontal positioned just like a center channel. We have included four 4mm rubber feet in each accessory bag to mount to the bottom of the cabinet depending on how you choose to place the speaker.

### Connecting Your System

We recommend that you connect your LCR2 speaker systems with high quality dual conductor stranded wire of 18 gauge or larger, for lengths up to 25 feet. Use 16 gauge dual conductor or larger for longer runs of wire. Contact your local audio/video specialist for specific cable recommendations and further information for special circumstances.

**Warning:** To prevent risk of electrical shock or damage to your equipment, always switch off the amplifier or receiver when making connections to the speaker.

You can connect your LCR2 speakers by using a variety of audio connectors, or you can:

Strip about 1/2" (13mm) of insulation from the connecting wires. Connect them to the appropriate push terminal, being careful to observe polarity (positive to the red terminal, negative to the black terminal).

Whether you are connecting a complete LCR2 system, or adding a single speaker component to your present system, the wiring should look like the diagram in Figure 2.

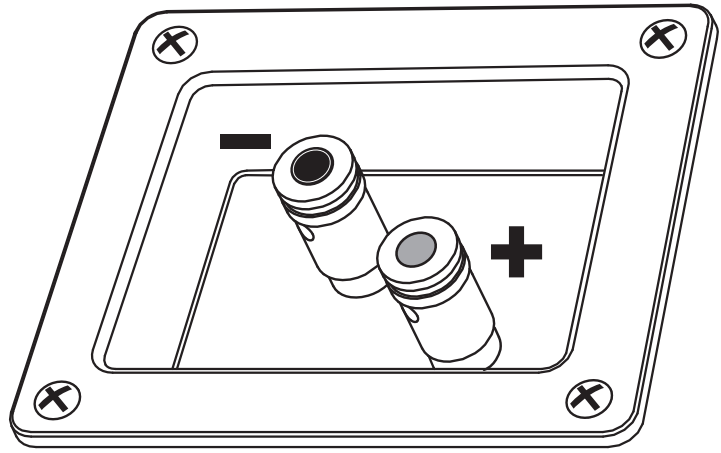


Figure 1: Gold plated spring posts. Accepts up to 14 gauge bare wire.

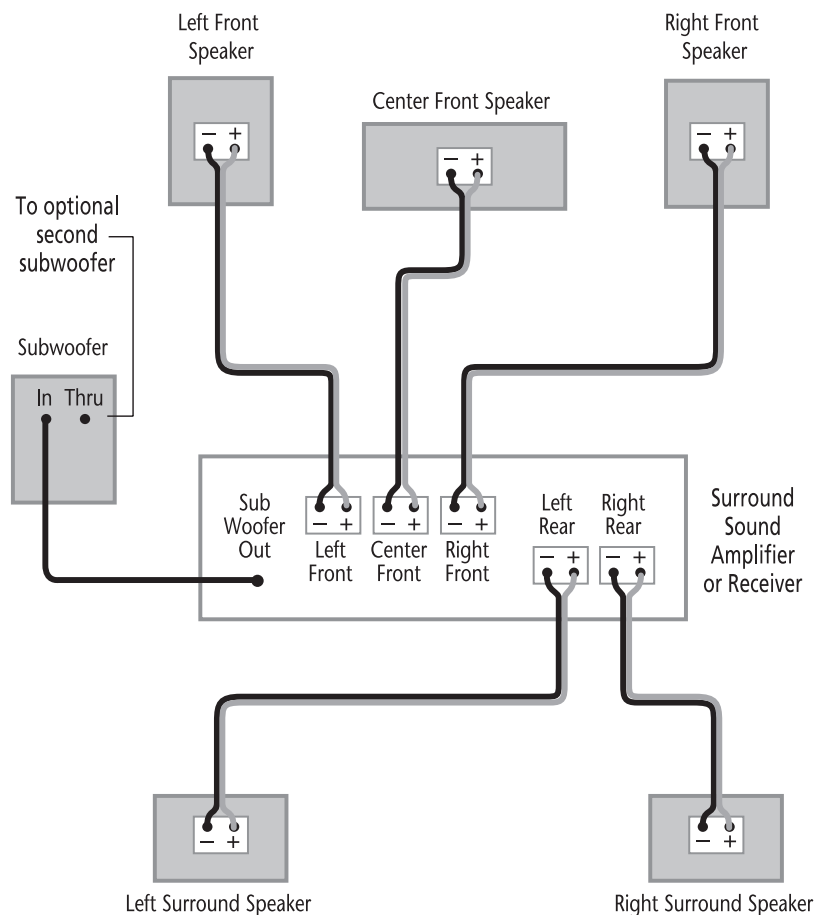


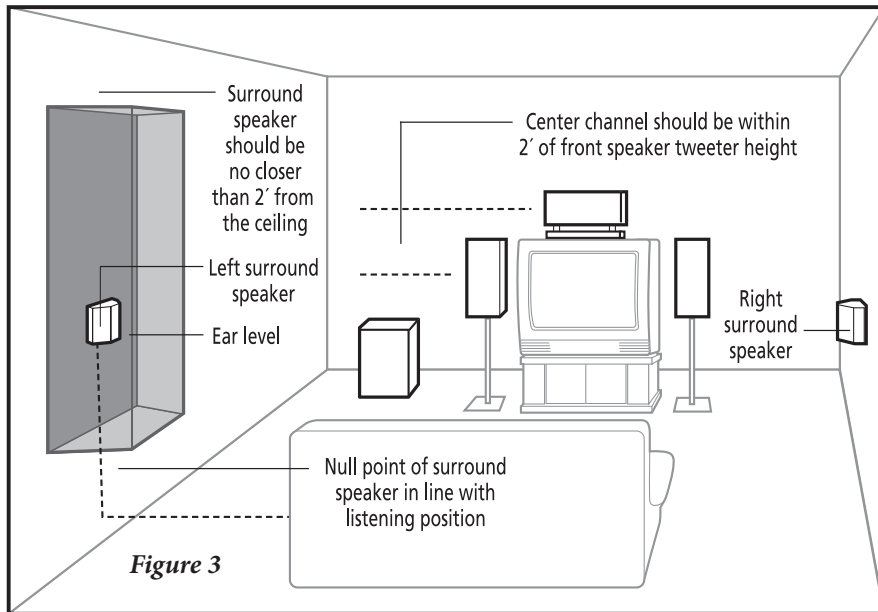
Figure 2: Typical wiring diagram for speakers in a home theater.

**Warning:** Before turning on the amplifier, be certain that no stray wire strands are touching across the two terminals as this might damage your amplifier.

Finally, check the polarity of your front speakers by listening to some music. If the sound seems hollow, unusually spread out, or has weak bass, recheck your connections for proper polarity. If necessary, reverse any out of phase connections. Only one speaker wired out of phase is usually the culprit.

## Placement and Operation

Speaker/room interactions have a huge impact on the sound of the system. Moving the speakers just a little bit can make a dramatic difference in what you hear. The ultra-compact design of LCR2 provides you with maximum placement flexibility while creating a large, seamless, acoustically accurate soundfield for your home theater or music system. The best placement of the speakers will vary from room to room. Use the following placement guidelines and Figure 3 as a starting point. But also feel free to experiment. In fact, it may be beneficial to hook up the speakers with some extra wire and to simply drape the wire across the floor before installing the speakers permanently. This will allow you the opportunity to move the speakers around easily so you can find the best sonic and visual locations.



*Typical arrangement for speakers in a home theater. For best results, place the surround speakers within the shaded area. Note that the surround speakers are marked Left and Right. It is important that the speakers be placed correctly for proper imaging.*

## Mounting

The LCR2 speakers can be mounted in a variety of ways:

### On speaker stands:

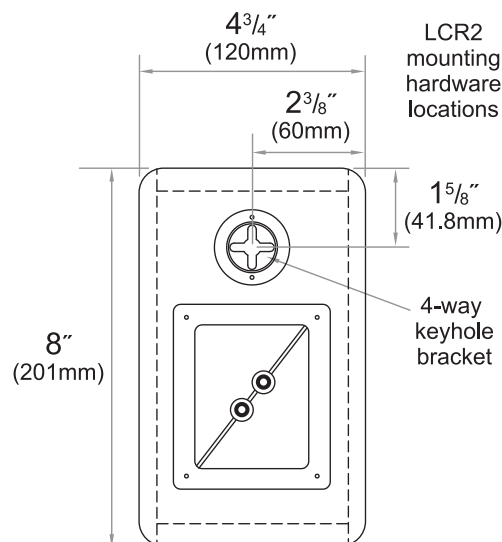
We recommend speaker stands with an approximate height of 29" above the floor. Ideally the tweeter of the speaker should be at ear level when seated.

### On the wall:

To mount your speakers on a wall, we have installed metal key-hole brackets on the back of the LCR2 speakers. Be sure to use a strong screw whose head and shaft will fit within the keyhole opening and slot. Also be sure to drive the screw well into a stud or use a mounting device (such as a molly-bolt) that is capable of holding the weight of the speaker. Never simply drive a nail or screw into a sheet rock or other wall materials. Always follow the above guidelines for safe speaker mounting.

### On a bookshelf:

Adhesive rubber feet are included.



## Listening Levels and Power Handling – IMPORTANT!

The power recommendation for these speaker components assumes that you will not operate your amplifier/receiver in a way that produces distortion. Even rugged speakers like LCR2 can be damaged by a moderately powered system driven beyond its intended capacity. The harsh amplifier clipping that occurs in this situation will cause damage to the speaker system. This type of damage is easily identifiable through examination of the damaged speaker's voice coil and is not covered by the warranty. The LCR2 will play very loudly when provided with enough clean power to do so. Again, consult your dealer or Atlantic Technology for additional information.

## Care and Feeding of Your Speakers

Clean your speaker cabinets using a soft cloth moistened with a mild, non-abrasive glass cleaner being careful not to wet the edges of the cabinet. Also, be careful not to get any cleaning fluids on the driver cones or domes. It may be best to dampen the cloth with the cleaner and then wipe the speakers. Use a soft cloth, but do not use any paper products, because no matter how soft they may feel, they will scratch the finish. After carefully removing the grilles from the speakers, clean them with a quick pass from a vacuum cleaner with a brush attachment. This should remove any dust accumulation. Avoid placing your speakers in direct sunlight or near a source of heat that may, over time, damage the finish.

### Important: Save Your Boxes!

*If possible, save the cartons, packing pieces, and plastic bags that came with your speakers. They will be useful in case you move or have to ship your loudspeakers for any reason. In any case, save all packing materials until you are certain that the systems have suffered no damage in shipment. If you find such damage, either visible or internal, contact your dealer immediately for the proper return procedure.*

## Warranty

Thank you for purchasing an Atlantic Technology product. We wish you many years of enjoyment and satisfaction from it. You do not need to send in anything to be covered by the Limited Warranty. All you need to do is keep your original Invoice or Bill of Sale for proof of purchase, meet the stated requirements, and follow the instructions listed within the Warranty.

Please attach your Original Invoice or Bill of Sale to this manual as proof of purchase and keep them in a safe place.

**VERY IMPORTANT NOTE:** PLEASE NOTE THAT ATLANTIC TECHNOLOGY PRODUCTS CARRY ONLY A 90 DAY LIMITED WARRANTY. YOU MUST MEET ALL THE FOLLOWING REQUIREMENTS AND REGISTER ONLINE IN ORDER TO BE COVERED BY THE FREE EXTENDED SERVICE AGREEMENT TO ASSURE EXTENDED FREE PROTECTION!!

### Free Extended Service Agreement

Atlantic Technology offers a free Extended Service Agreement that provides enhanced protection against product defects. In order to qualify for the free Extended Service Agreement you must:

1. Have purchased your Atlantic Technology products from an Authorized Atlantic Technology Reseller or Installer.
2. Go to [www.atlantictechnology.com](http://www.atlantictechnology.com) and click on Support>Register Your Warranty. Fill out the required information. Be sure to have your home address, name, address and invoice from the business you purchased, and the serial numbers of all Atlantic Technology products purchased. **THIS MUST BE DONE WITHIN 30 DAYS OF PURCHASE.**

If you purchased multiple Atlantic Technology products you will be able to enter them all using one online form. Model and Serial numbers can be found on the back of each unit and on the outside of their respective boxes.

Once all the criteria have been met, you qualify for a free Extended Service Agreement that entitles you to additional coverage against defects in workmanship and manufacturing for a period of up to 5 years on nonpowered product and up to 1 year on powered product. This coverage is in addition to the 90 Day Limited Warranty included with all Atlantic Technology products.

If you are not able to register your product using the internet, please call customer service at 781.762.6300.

### Limited Warranty

**Statement of Warranty:** Atlantic Technology International Corp. warrants Atlantic Technology Products to be free from defects in material and workmanship for 90 days from the time of original purchase. This Warranty covers the original retail purchaser of this product only and is valid only in the Continental United States, Alaska, and Hawaii and all US Possessions.

**Extended Service Agreement (only available in the Continental United States, Alaska, and Hawaii and all US Possessions):** You must Register your Warranty online, and have purchased your product(s) from an authorized

Atlantic Technology reseller to receive the Extended Service that covers your Atlantic Technology products beyond the standard 90 day Warranty.

**To obtain Warranty service:** Please contact your local Atlantic Technology reseller to determine if they are an Authorized Repair Center for Atlantic Technology products. You will need your original Invoice or Bill of Sale to prove Warranty eligibility. If your local dealer is not an Authorized Warranty Center you may contact us at 781-762-6300 for further help or to send the product to us for service and repair. You must first request a Return Authorization Number from us to ship the product back, so it is imperative that you call us first.

**What we are responsible for:** We will pay for all labor and parts for covered items. If the repairs are eligible for coverage under the terms of this Warranty we will also pay for return shipping charges to you.

**What you are responsible for:** You must pack the product properly for safe shipping to your Authorized Dealer or us. You are responsible to pay for all packing, shipping, and insurance costs to get the unit(s) back to Atlantic Technology or your Authorized Dealer.

**Optional replacement:** We, at our option, may replace rather than repair your Atlantic Technology product with a new or reconditioned one of the same or similar design. The repair or replacement will be warranted for 90 days from date of receipt back to you. All details in terms of eligibility for an Extended Service Agreement will carry over from the original purchase to the replacement item.

**What this Warranty does not cover:** This Warranty does not cover defects resulting from accidents, damage while in transit, alterations, unauthorized repair, failure to follow instructions, misuse, fire, flood, and Acts of God. This Warranty will be void if the product's serial number has been altered or removed or if the product has been modified or defaced.

**Exclusions and Limitations:** Implied warranties, including those of fitness for a particular purpose and merchantability (an unwritten warranty that the product is fit for ordinary use) are limited to the period of any Warranty granted hereby. We will not pay for loss of time, inconvenience, loss of use, or property damage caused by your Atlantic Technology product or its failure to work, or any other incidental or consequential damages.

**State law rights:** Some states do not allow the exclusion or limitation of incidental or consequential damages, so the above limitation or exclusion may not apply to you. This Warranty gives you specific legal rights, and you may have other rights which vary from state to state.

This Warranty is valid only when Atlantic Technology products are purchased from an Authorized Atlantic Technology Reseller in the Continental United States, Alaska, and Hawaii and all US Possessions. If you purchase Atlantic Technology products outside the United States please consult your local distributor or reseller for applicable Warranty coverage and restrictions.

Should you have any questions or problems please feel free to contact us at 781-762-6300 or through our web site, [www.atlantictechnology.com](http://www.atlantictechnology.com).

### For Future Reference

Record your serial numbers and date of purchase here:

Model Number \_\_\_\_\_

Serial Number \_\_\_\_\_

Date of Purchase \_\_\_\_\_

The serial number is found on the back panel.

Copyright ©2016 Atlantic Technology International.  
Specifications are those in effect at the time of printing.  
Atlantic Technology reserves the right to change specifications or designs at any time without notice.



343 Vanderbilt Avenue Norwood, MA 02062  
(781) 762-6300  
[www.atlantictechnology.com](http://www.atlantictechnology.com)