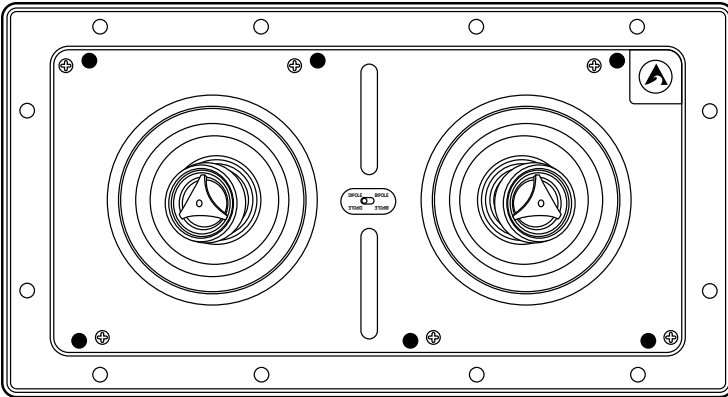


IW-115SR

In-Wall High Performance
Surround Speakers

Instruction Manual



IW-115SR

Atlantic
TECHNOLOGY

Table of Contents

3 Unpacking the Speakers

3 Speaker Description

4 Speaker Placement

5 IW-115SR as a Side Surround and Rear Speakers in Dolby Digital 7.1 System

6 Speaker Installation

6 Installation of the IW-115SR in New Construction with Optional New Construction Bracket

6 Installation of the IW-115SR in Existing Construction

7 Removing and Installing the Grille

7 Painting the Grille and Frame

8 Cutting the Opening

8 Connecting the IW-115SR to Your System

8 Speaker Connection

9 Installing the Speaker Assembly

9 Speaker Setup

9 Dipole/Bipole Operation of IW-115SR

10 Tweeter Positioning

10 IR Knockout

10 Specifications

11 Warranty

12 Warranty

For Future Reference

Record the serial number and date of purchase for each speaker here. The serial number is found on the speaker terminal panel on the back of the enclosure.

Serial Number

Serial Number

Date of Purchase

The contents of this manual are Copyright © 2015 by Atlantic Technology International, Corp., and may not be duplicated or reproduced by any means, whether physical, electronic or otherwise without prior written consent from Atlantic Technology International, Corp.

Atlantic Technology and the Atlantic Technology logo are registered trademarks of Atlantic Technology International, Corp. THX is a trademark of THX Ltd. Dolby Digital 5.1, Dolby Digital 7.1, Dolby Atmos, and Dolby Pro Logic are trademarks of Dolby Laboratories Licensing Corporation. DTS is a registered trademark of DTS Technology.

Specifications are those in effect at the time of printing. As part of our ongoing program of continuous product improvement, Atlantic Technology reserves the right to change specifications or appearance at any time without notice or obligation to modify existing product.

IW-115SR

High Performance Surround Speakers

Thank you for choosing Atlantic Technology. The IW-115SR speaker is precision-crafted to give you years of enjoyable, trouble-free service. This manual will show you how to incorporate your new speaker into your present setup, as well as how to assemble a complete system. The IW-115SR can be used with all current and past surround sound formats including Dolby Surround®, Dolby Pro Logic®, Dolby Digital 5.1®, Dolby Digital 7.1®, Dolby Atmos®, DTS®, DTS ES®, DTS ES Discrete®, DTS Neo:6®, DVD-Audio, Auro 3D and SACD Audio.

IMPORTANT: *Although it may seem like asking for driving directions, please take a few moments to read all of this booklet. It has many helpful tips and ideas on properly setting up and using your system. We promise that if you take the time to read and follow these tips you'll get better system performance and more enjoyment.*

Unpacking the Speakers

Use care when unpacking the speaker. Remember to save all packing materials until you are certain that the speaker has suffered no damage in shipment. If you find such damage, either visible or internal, contact your dealer immediately.

If you can do so, save the carton, packing pieces, and plastic bags that came with your speakers. They will be useful if you move or have to ship your loudspeaker for any reason.

Speaker Description

The IW-115SR is a thin-bezel in-wall surround speaker that delivers spacious, enveloping surround effects for top grade home theater systems. It features an innovative dual-concentric driver design capable of filling the listening area with either three-dimensional ambient sound or object-based positional audio essential for lifelike theater sound.

The IW-115SR consists of dual 4.5" woofers and dual concentric 1" silk dome tweeters mounted in a resonant-free MDF baffle. The speaker is a switchable dipole/bipole design; that is, the two sets of drivers can either be set for out-of-phase (dipole) operation, ideal for a diffuse, non-localizable sound, or set for in-phase (bipole) operation, for a more direct, localizable effect, perfectly suited for object-based audio formats such as Dolby Atmos.

Either mode will fill a large home listening area with dramatic surround effects. The thin bezel grille is magnetically attached to the frame and can be easily painted to match virtually any décor.

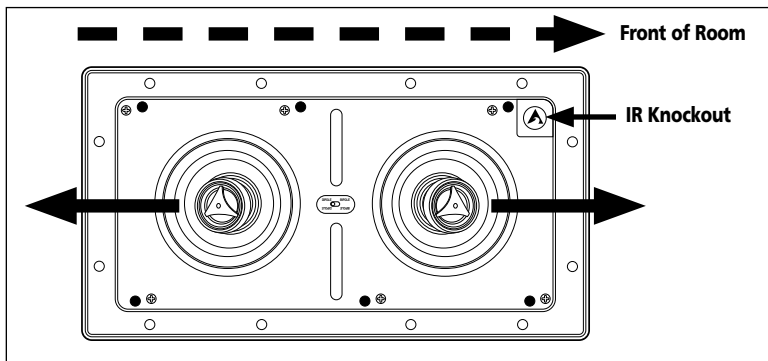
Speaker Placement

The IW-115SR should be installed horizontally with the tweeters pointing to sides and the IR knock out (round Atlantic Technology logo in the corner) should be facing the front of the room to keep proper phase with the front channel speakers. This is for both Dipole and Bipole switch settings.

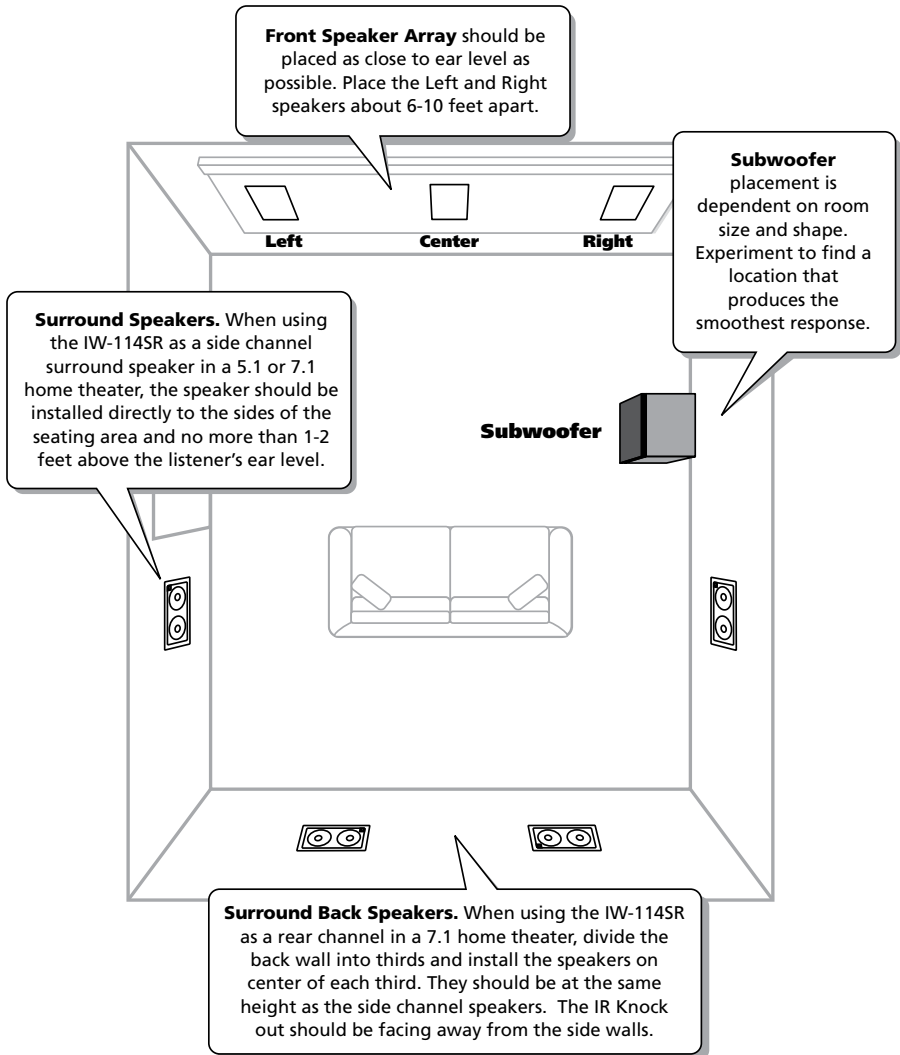
When using the IW-115SR as a side channel surround speaker in a 5.1 or 7.1 home theater, the speaker should be installed directly to the sides of the seating area and no more than 1-2 feet above the listener's ear level. (see diagram)

When using the IW-115SR as a rear channel in a 7.1 home theater, divide the back wall into thirds and install the speakers on center of each third. (see diagram). They should be at the same height as the side channel speakers. The IR Knock out should be facing the side walls.

NOTE: We do not recommend the IW-115SR for use in the ceiling. For ceiling mount surround purposes we recommend either our IC-6.3, IC-6OBA or IC-8.3 speakers.



IW-115SR as Side Surround and Rear Speakers in Dolby Digital 7.1 system.



NOTE: We do not recommend the IW-115SR for use in the ceiling. For ceiling mount surround purposes we recommend either our IC-6.3, IC-6OBA or IC-8.3 speakers.

Removing and Installing the Grille

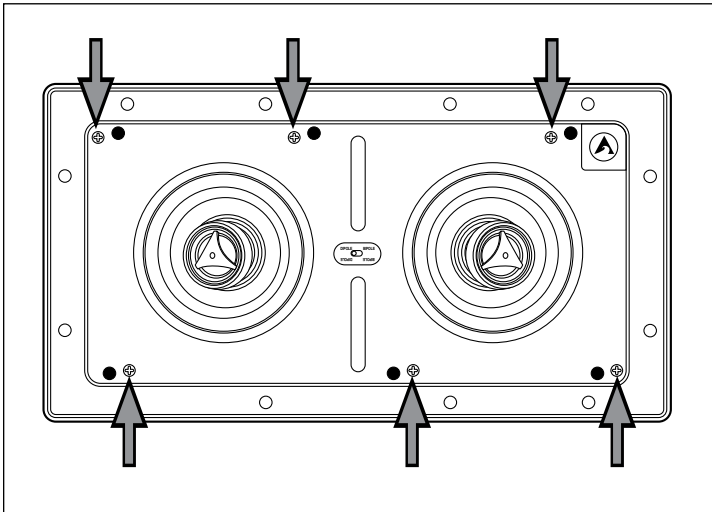
Remove the grille from the speaker using the supplied tool, an awl or the point of a dry-wall screw in a grille opening near one of the grille corners. Slowly pry the grille out, being careful not to damage the speaker's frame or its finish.

To re-install the grille later, press it carefully into the appropriate opening in the frame assembly. It is designed to be held in place with magnets and fit snugly into the groove. Please take your time and use care when installing the grille.

Painting the Grille and Frame

The IW-115SR grille can be painted to blend into virtually any décor. The grille has a removable scrim behind the metal to conceal the IW-115SR's drivers. Before painting remove the grille, carefully remove the fabric scrim from the inside of the metal grille using a tweezers or needle-nosed pliers, starting at a corner of the grille and carefully pulling diagonally across the length of the grille. Lay the scrim on the cutout template and store it in the provided plastic bag to protect the scrim from indirect paint spray and damage while the grille is being painted.

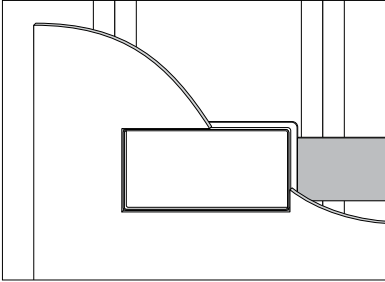
Once the scrim is removed, carefully remove the speaker from the baffle by removing the screws shown in figure below. Set the speaker aside in a safe place. You can now install the grille and paint the grille and trim bezel. Be sure to keep the holes in the grille free of paint. An airless sprayer or spray paint will work best. After the paint is dry you can reinstall the speaker, reattach the scrim and reinstall the grille.



Speaker Installation

NOTE: We always recommend a professional be involved in the installation of the IW-115SR.

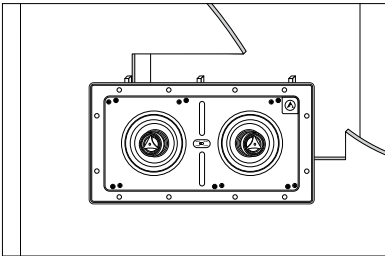
Installation of the IW-115SR in New Construction with Optional New Construction Bracket



For new construction, we highly recommend that you use the optional IN-NC-155 New Construction Bracket.

The lip on the New Construction Bracket must face outwards into the room. Wallboard is then installed up to the lip, leaving a perfectly-defined mounting hole for the speakers. Use a level to get it straight; this can't be fixed later.

Installation of the IW-115SR in Existing Construction

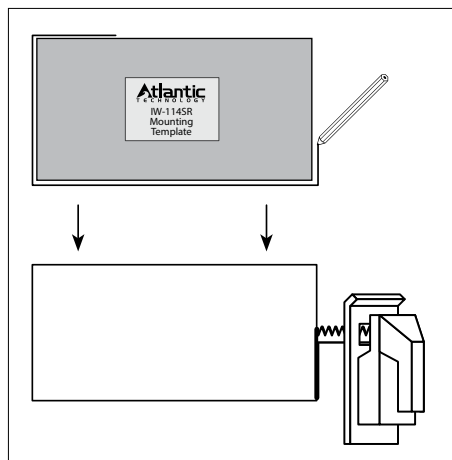


The IW-115SR can be easily mounted in most any standard wall material, from ½ to 1½ inches (12 to 38mm) thick. The IW-115SR rotating wall clamps firmly fix it to the wall surface after the proper cutout has been made.

An important precaution to take before mounting:

Keep the top and bottom of the actual mounting hole at least 1½ inches (38mm) away from beams or obstructions to ensure that the clamps have adequate room to rotate. A crossbrace or other obstruction that's too close will stop them from properly doing their job.

Cutting the Opening



After determining the best location for the speaker as outlined previously, use the enclosed template to cut the proper size hole.

14 1/4" x 7 1/8" (368mm x 181mm)

WARNING: Exercise extreme care before making any wall cuts to ensure that you will not cut through any wires, pipes, or other items that may be in the wall. You may sometimes, but not always, be able to determine the approximate location of wires and pipes by looking at the locations of nearby outlets and plumbing. But their location or absence is never an assurance that there is not something within the wall cavity.

Connecting the IW-115SR to Your System

WARNING: To prevent risk of electrical shock or damage to your equipment, always switch off the amplifier or receiver when making any system connections.

Speaker Connection

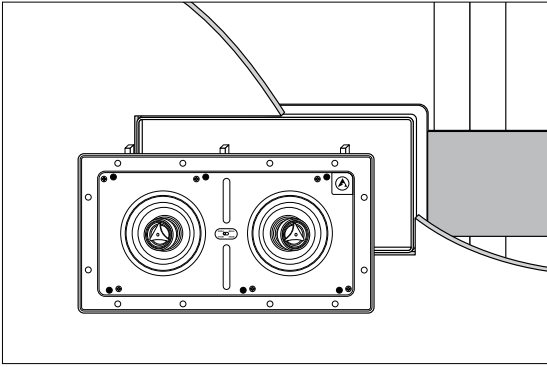
It's important to observe polarity while making speaker connections: red (+) terminals on the amplifier to red (+) on the speaker, black (-) on the amplifier to black (-) on the speaker. Look carefully at the wires you are using and note one of the conductors of each pair will typically be identified by either color, printing on the outer jacket, ridges on the outer jacket, or a thread intertwined with the wire strands. By convention, the marked wire is connected to the red (+) terminal.

We recommend that you connect your speakers using high-quality dual conductor stranded wire of 16 gauge or heavier, for lengths up to 25 feet (8m). Remember, the lower the gauge number, the heavier the wire. Use heavier gauge wire for longer runs. Please contact your audio/video dealer or installer for specific cable recommendations and further information regarding special circumstances. The terminals themselves are designed to allow the use of very heavy speaker wire or connectors.

Strip about 1/2" (13mm) of insulation from the connecting wires. Connect them to the appropriate push terminal, being careful to observe polarity (positive to the red terminal, negative to the black terminal).

WARNING: Before turning on the amplifier, be certain that no stray wire strands are touching across any terminals as this might damage your amplifier.

Installing the Speaker Assembly



The damping mechanism allows the wall material to range from ½" to 1½" (12 to 38 mm) in thickness. There must be a minimum depth behind the wall face of 3 ⅝" (92 mm). As noted above, be sure to keep the top and bottom of the cutout at least 1½" (38mm) away from obstructions, as the rotating clamps will not operate properly if you don't.

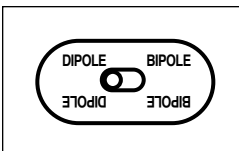
Insert the speaker into the cutout and using a level carefully align it so it is level. Tighten the mounting screws, which will cause the attached clamps to rotate and position themselves properly behind the wall.

Continue to tighten until the speaker is snug in the wall. You want the bezel to conform to the wallboard, and the frame not to rattle from the speaker's vibration, **but be very careful not to overtighten the screws.**

It is strongly recommended that you hand-tighten the mounting screws the final few turns (after using an electric screwdriver set to "low torque") to avoid the possibility of damaging the frame.

Speaker Setup

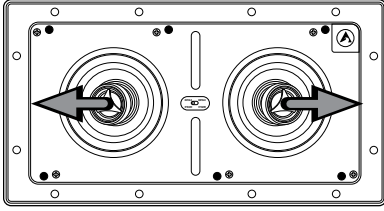
Dipole/Bipole Operation of IW-115SR



When using the IW-115SR in a Dolby Pro Logic®, Dolby Digital 5.1, 7.1 or 9.1, Dolby True HD or DTS Master Audio-based home theater, we recommend setting the switch to DIPOLE.

When using the IW-115SR in a Dolby Atmos or DTS-X® home theater, we recommend setting the switch to BIPOLE. The positional audio in Dolby Atmos and other object-based systems are engineered to create a more precisely-localizable surround effect. Therefore we believe speakers set to BIPOLE will typically outperform dipole speakers in an object based system.

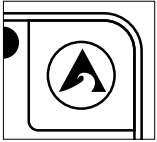
Tweeter Positioning



The tweeters are adjustable to allow you to position them so you have the greater flexibility in your environment. We recommend you start with the tweeters facing outward to provide the best performance. In dipole mode this positioning creates a better 'null' between the drivers. In bipole mode it provides greater coverage.

However, feel free to experiment with both switch and tweeter positions. Given the easily removable magnetic grille, it is possible to make adjustments depending on program requirements or personal preference.

IR Knockout



There is an IR "knockout" plug in the upper right corner of the baffle behind the logo. If you need, you can install a standard IR receiver in the knockout hole.

Specifications

	IW-115SR
Type	2-way dipole/bipole switchable
Drivers	Woofer (2) 4 1/2" (115mm) GLH* Tweeter (2) 1" (25.4mm) soft dome
Frequency Response	80-20kHz ±3dB
Nominal Impedance	6Ω
Crossover Frequency	3500Hz
Sensitivity	88dB
Recommended Power	25 – 150 Watts
Overall Dimensions (W x H x D)	15 1/2 x 8 1/2 x 3 3/4" 395 x 216 x 97mm
Cutout Dimensions (W x H)	14 1/4 x 7 1/8" 362 x 181mm
Optimum Sealed Enclosure Volume	1.0 cu. ft.
Net Weight (ea)	8lbs; 3.7kg
Optional New Construction Bracket	IN-NC-155

*Graphite Loaded Homopolymer IR Receiver not included.

Specifications are those in effect at the time of printing. As part of our ongoing program of continuous product improvement, Atlantic Technology reserves the right to change specifications or appearance at any time without notice or obligation to modify existing product. THX and is a trademark of THX Ltd. All rights reserved.

Warranty

Thank you for purchasing an Atlantic Technology product. We wish you many years of enjoyment and satisfaction from it. You do not need to send in anything to be covered by the Limited Warranty. All you need to do is keep your original Invoice or Bill of Sale for proof of purchase, meet the stated requirements, and follow the instructions listed within the Warranty.

Please attach your Original Invoice or Bill of Sale to this manual as proof of purchase and keep them in a safe place.

VERY IMPORTANT NOTE: PLEASE NOTE THAT ATLANTIC TECHNOLOGY PRODUCTS CARRY ONLY A 90 DAY LIMITED WARRANTY. YOU MUST MEET ALL THE FOLLOWING REQUIREMENTS AND REGISTER ONLINE IN ORDER TO BE COVERED BY THE FREE EXTENDED SERVICE AGREEMENT TO ASSURE EXTENDED FREE PROTECTION!!

Free Extended Service Agreement

Atlantic Technology offers a free Extended Service Agreement that provides enhanced protection against product defects. In order to qualify for the free Extended Service Agreement you must:

1. Have purchased your Atlantic Technology products from an Authorized Atlantic Technology Reseller or Installer.
2. Go to www.atlantictechology.com and click on Support>Register Your Warranty. Fill out the required information. Be sure to have your home address, name, address and invoice from the business you purchased, and the serial numbers of all Atlantic Technology products purchased. **THIS MUST BE DONE WITHIN 30 DAYS OF PURCHASE.**

If you purchased multiple Atlantic Technology products you will be able to enter them all using one online form. Model and Serial numbers can be found on the back of each unit and on the outside of their respective boxes.

Once all the criteria have been met, you qualify for a free Extended Service Agreement that entitles you to additional coverage against defects in workmanship and manufacturing for a period of up to 5 years on non-powered product and up to 1 year on powered product. This coverage is in addition to the 90 Day Limited Warranty included with all Atlantic Technology products.

If you are not able to register your product using the internet, please call customer service at 781.762.6300.

Limited Warranty

Statement of Warranty: Atlantic Technology International Corp. warrants Atlantic Technology Products to be free from defects in material and workmanship for 90 days from the time of original purchase. This Warranty covers the original retail purchaser of this product only and is valid only in the Continental United States, Alaska, and Hawaii and all US Possessions.

Extended Service Agreement (only available in the Continental United States, Alaska, and Hawaii and all US Possessions): You must Register your Warranty online, and have purchased your product(s) from an authorized Atlantic Technology reseller to receive the Extended Service that covers your Atlantic Technology products beyond the standard 90 day Warranty.

To obtain Warranty service: Please contact your local Atlantic Technology reseller to determine if they are an Authorized Repair Center for Atlantic Technology products. You will need your original Invoice or Bill of Sale to prove Warranty eligibility. If your local dealer is not an Authorized Warranty Center you may contact us at 781- 762-6300 for further help or to send the product to us for service and repair. You must first request a Return Authorization Number from us to ship the product back, so it is imperative that you call us first.

continued on back page

Warranty continued

What we are responsible for: We will pay for all labor and parts for covered items. If the repairs are eligible for coverage under the terms of this Warranty we will also pay for return shipping charges to you.

What you are responsible for: You must pack the product properly for safe shipping to your Authorized Dealer or us. You are responsible to pay for all packing, shipping, and insurance costs to get the unit(s) back to Atlantic Technology or your Authorized Dealer.

Optional replacement: We, at our option, may replace rather than repair your Atlantic Technology product with a new or reconditioned one of the same or similar design. The repair or replacement will be warranted for 90 days from date of receipt back to you. All details in terms of eligibility for an Extended Service Agreement will carry over from the original purchase to the replacement item.

What this Warranty does not cover: This Warranty does not cover defects resulting from accidents, damage while in transit, alterations, unauthorized repair, failure to follow instructions, misuse, fire, flood, and Acts of God. This Warranty will be void if the product's serial number has been altered or removed or if the product has been modified or defaced.

Exclusions and Limitations: Implied warranties, including those of fitness for a particular purpose and merchantability (an unwritten warranty that the product is fit for ordinary use) are limited to the period of any Warranty granted hereby. We will not pay for loss of time, inconvenience, loss of use, or property damage caused by your Atlantic Technology product or its failure to work, or any other incidental or consequential damages.

State law rights: Some states do not allow the exclusion or limitation of incidental or consequential damages, so the above limitation or exclusion may not apply to you. This Warranty gives you specific legal rights, and you may have other rights which vary from state to state.

This Warranty is valid only when Atlantic Technology products are purchased from an Authorized Atlantic Technology Reseller in the Continental United States, Alaska, and Hawaii and all US Possessions. If you purchase Atlantic Technology products outside the United States please consult your local distributor or reseller for applicable Warranty coverage and restrictions.

Should you have any questions or problems please feel free to contact us at 781-762-6300 or through our web site, www.atlanticttechnology.com.



343 Vanderbilt Avenue Norwood, MA 02062 (781) 762-6300
www.atlanticttechnology.com