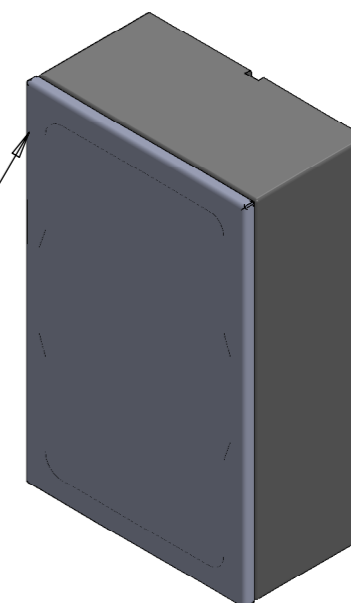
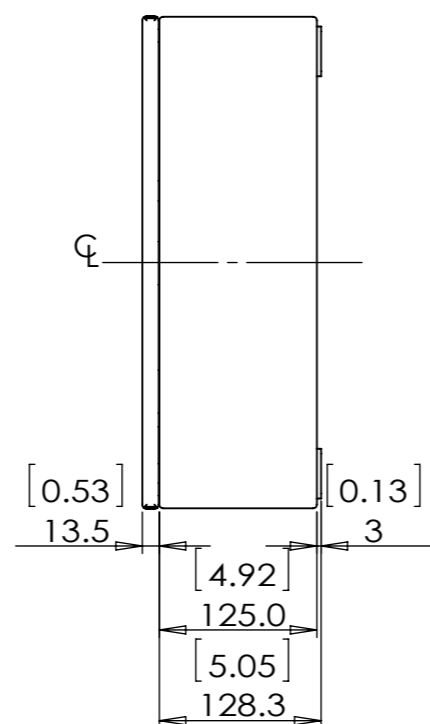
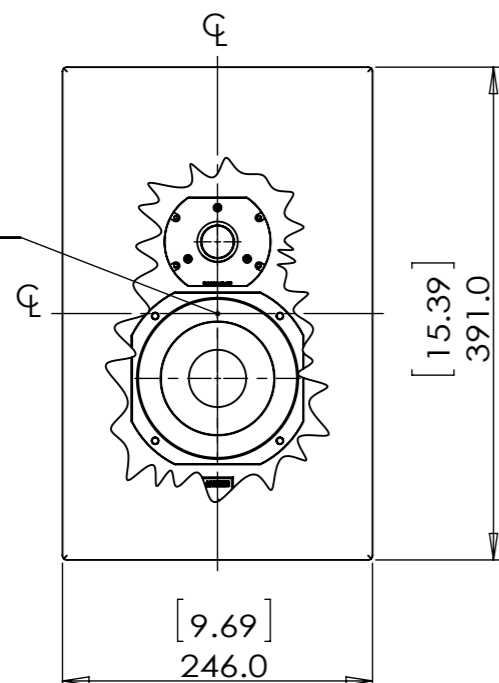


DETAIL A
SCALE 2 : 5

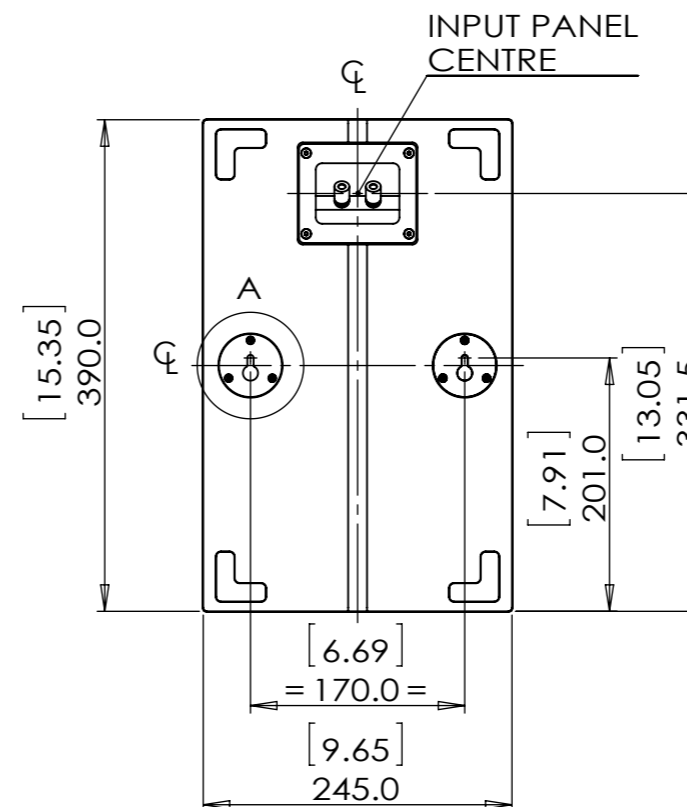
FABRIC WRAPPED GRILL



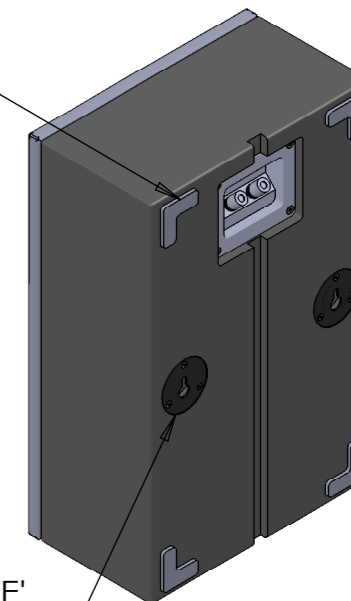
ACOUSTIC CENTRE (CABINET CENTRE)



INPUT PANEL CENTRE



ANTI-VIBRATION FOAM PADS x4.




'KEYHOLE' MOUNTING PLATES x2.

WEIGHT: 8KG / 17.6LBS
COLOUR OPTIONS: BLACK or WHITE SATIN PAINT
DIMENSIONS IN MM AND [INCHES]

- REMOVE ALL BURRS & SHARP EDGES (BREAK ALL EDGES - MAX 0.2 RAD)
- PLEASE PACK & HANDLE TO AVOID ANY DENTS, BRUISING & SCRATCHES
- THIS IS A COSMETIC PART
- THERE MUST BE NO VISIBLE MACHINING MARKS

REV	DATE	DRAWN	CHK'D	APPV'D	MODIFICATION
B	***	***	***	***	***
A	07-07-17	BSL	***	***	NEW DRAWING - SOLIDWORKS

 LOUDSPEAKER TECHNOLOGY LTD GYPSY LANE ASTON DOWN STROUD GLOUCESTERSHIRE GL6 8HR TELEPHONE: 01285 760561 www.atc.gb.net	MATERIAL:	PROJECT HOME THEATRE SERIES (HTS) SPEAKERS	
	FINISH: BLACK or WHITE SATIN PAINT	DWG NO. HTS7 ASSEMBLY	REV A
All copyright, design rights and any other intellectual property rights in the contents of, or in any attachments to, this form, to include any plans, design, photographs, specifications and other materials, remain the exclusive property of Loudspeaker Technology Ltd, are strictly private and confidential, and may not be reproduced or transmitted, in any form or by any means, or stored in any system, without the prior written consent of Loudspeaker Technology Ltd and, if requested, must be immediately returned to Loudspeaker Technology Ltd.		TITLE HTS7 ASSEMBLY - CUSTOMER	
©LOUDSPEAKER TECHNOLOGY LTD 2015 ALL RIGHTS RESERVED. This form and any attachments to it, may not be reproduced or transmitted, in any form or by any means, or stored in any system, without the prior written consent of Loudspeaker Technology Ltd, and if requested, must be immediately returned to Loudspeaker Technology Ltd.		TOLERANCES UNLESS OTHERWISE STATED MACHINED DIMENSIONS ONE DECIMAL PLACE: +/- 0.25MM TWO DECIMAL PLACES: +/- 0.10MM ANGULAR: +/- 0.50DEG	WEIGHT SCALE 1:6 PAPER A3
THIRD ANGLE PROJECTION		SHEET METAL DIMENSIONS INTERNAL UNDER 15 : +0.20 15 TO 100 : +0.35 OVER 100 : +0.50	EXTERNAL -0.20 -0.35 -0.50
ALL DIMENSIONS IN MILLIMETRES U.O.S. - REMOVE SHARP EDGES		SHEET 1 OF 1	